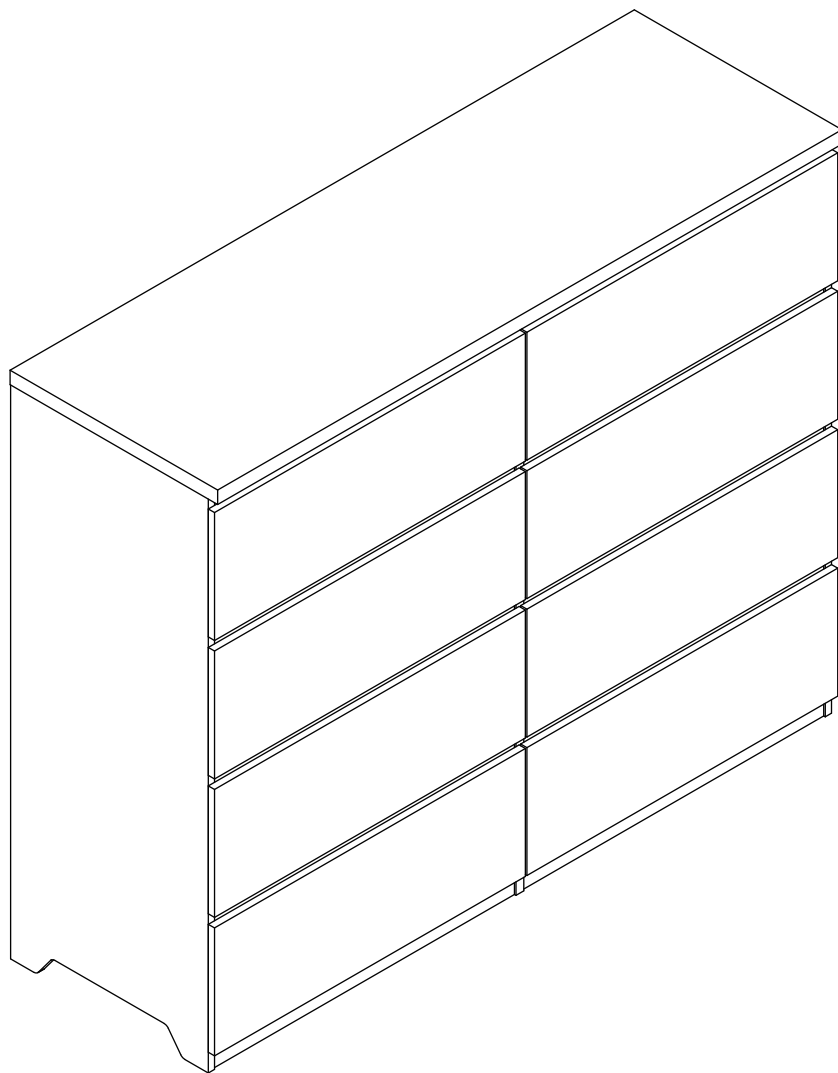
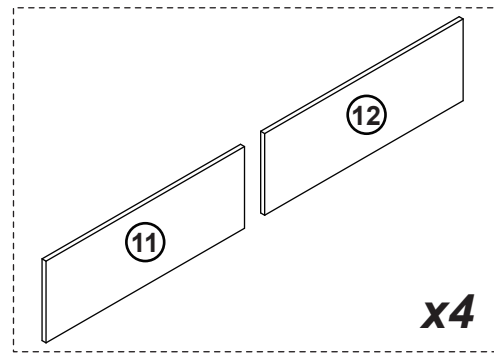
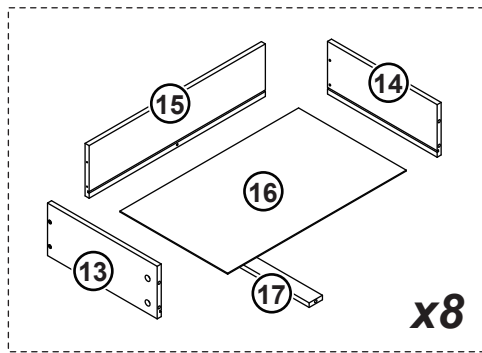
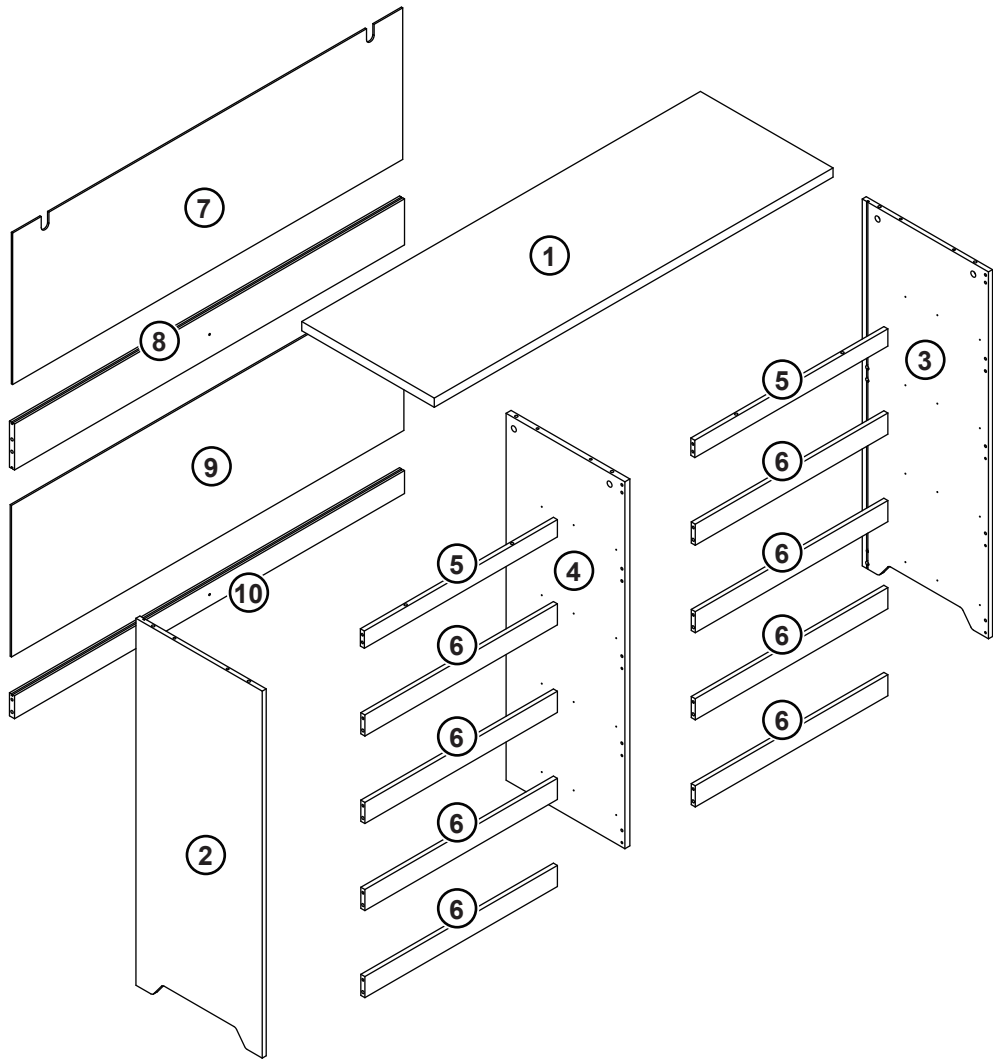


DJYC2517

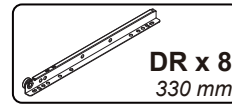
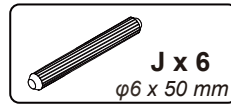
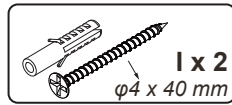
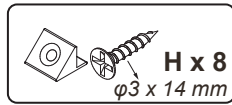
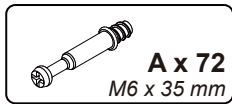
ASSEMBLY INTRODUCTION



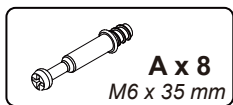
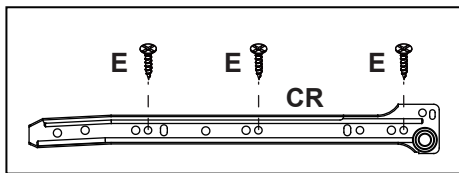
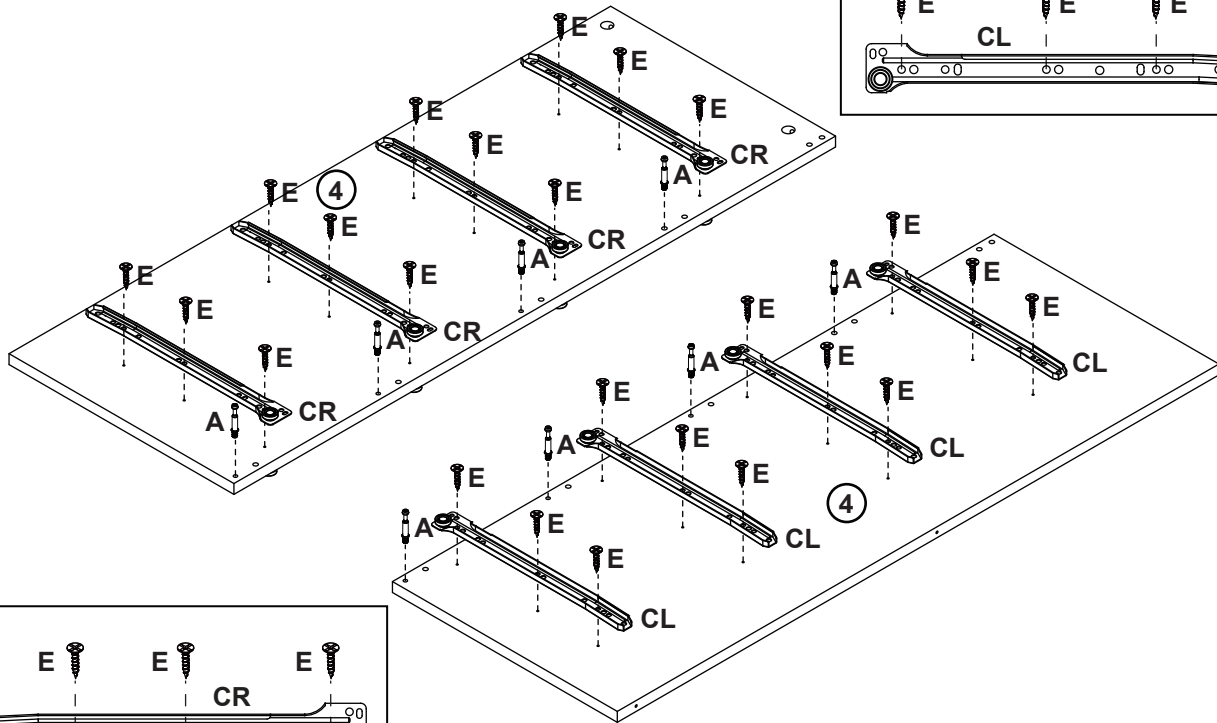
Exploded View



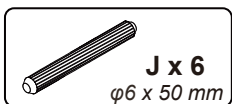
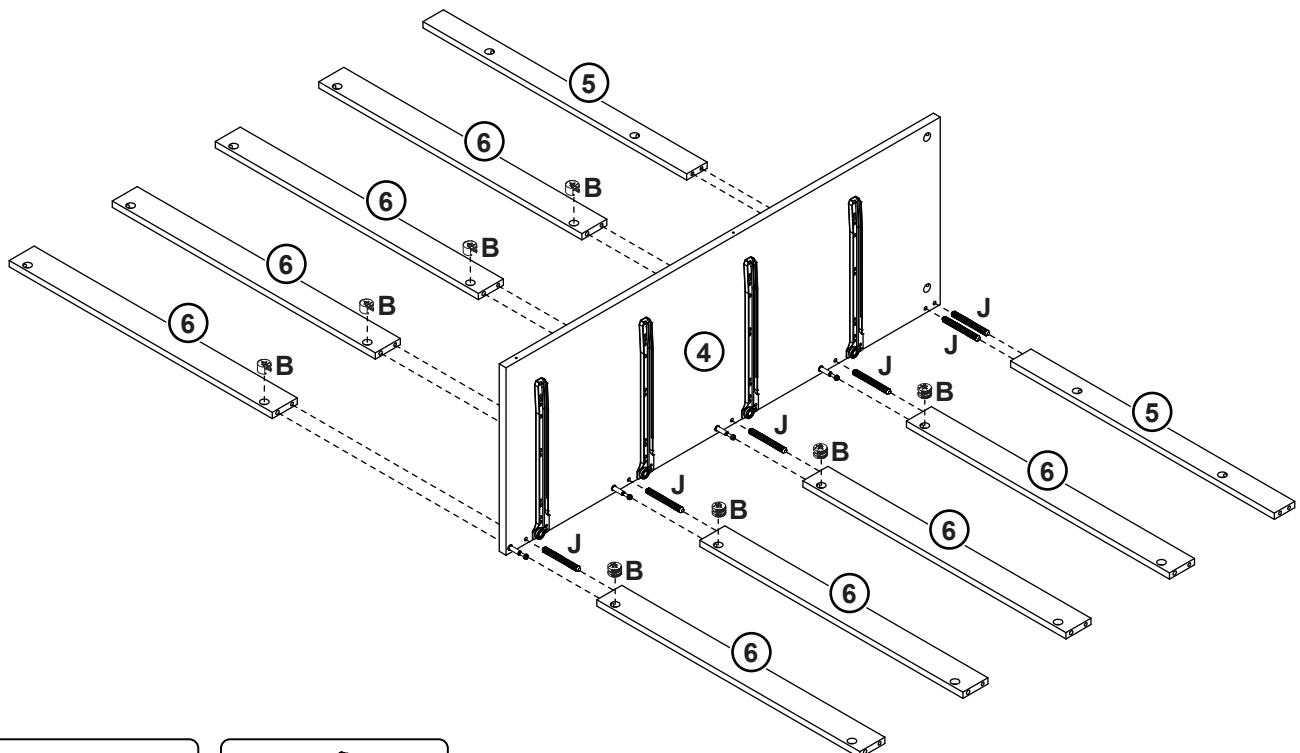
Fitting



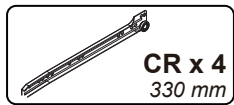
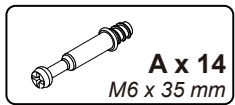
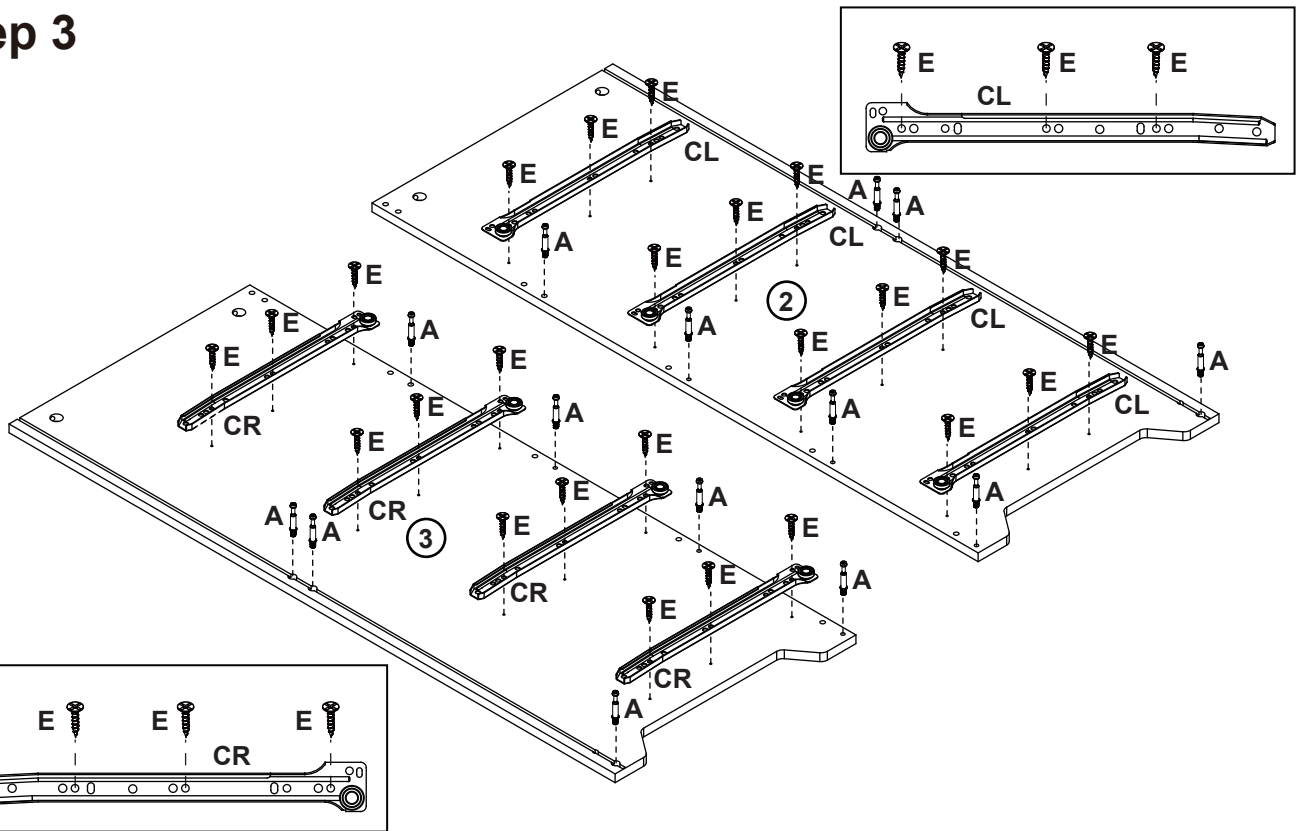
Step 1



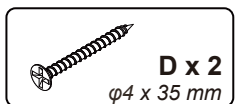
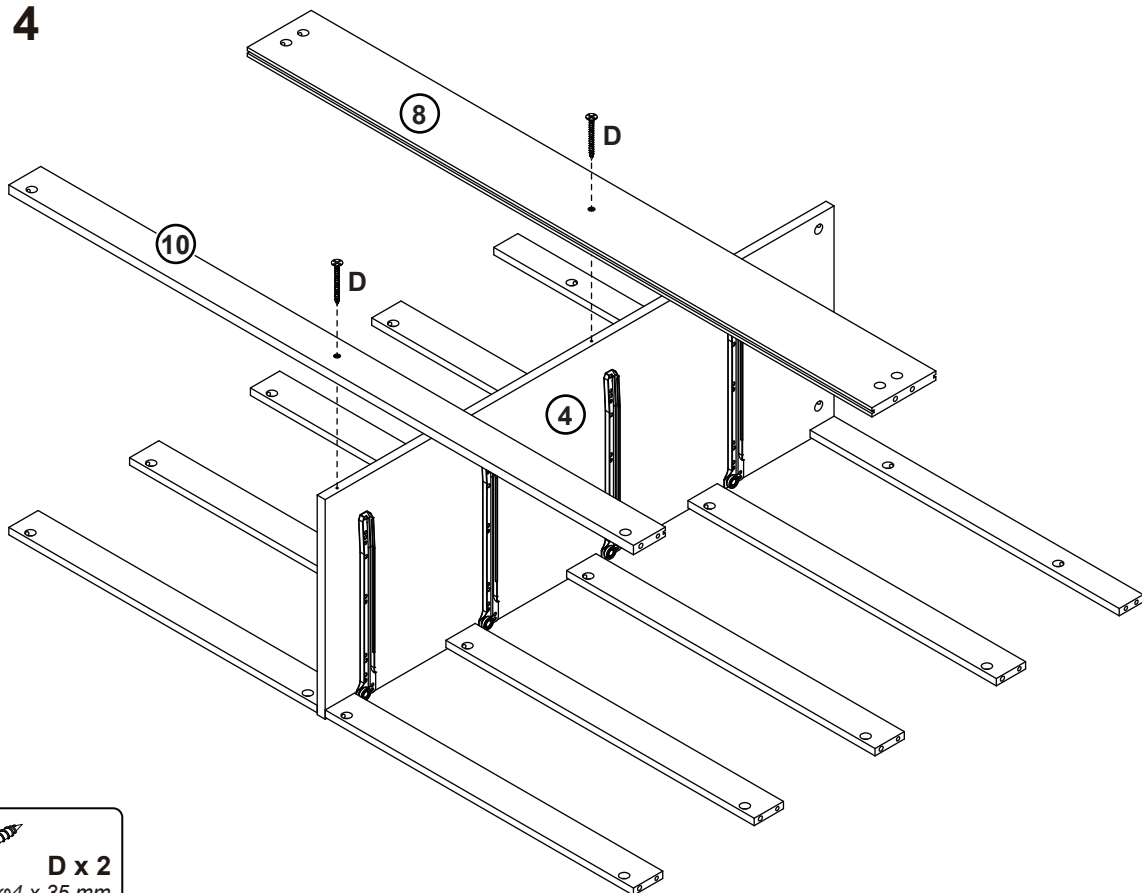
Step 2



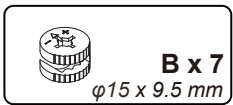
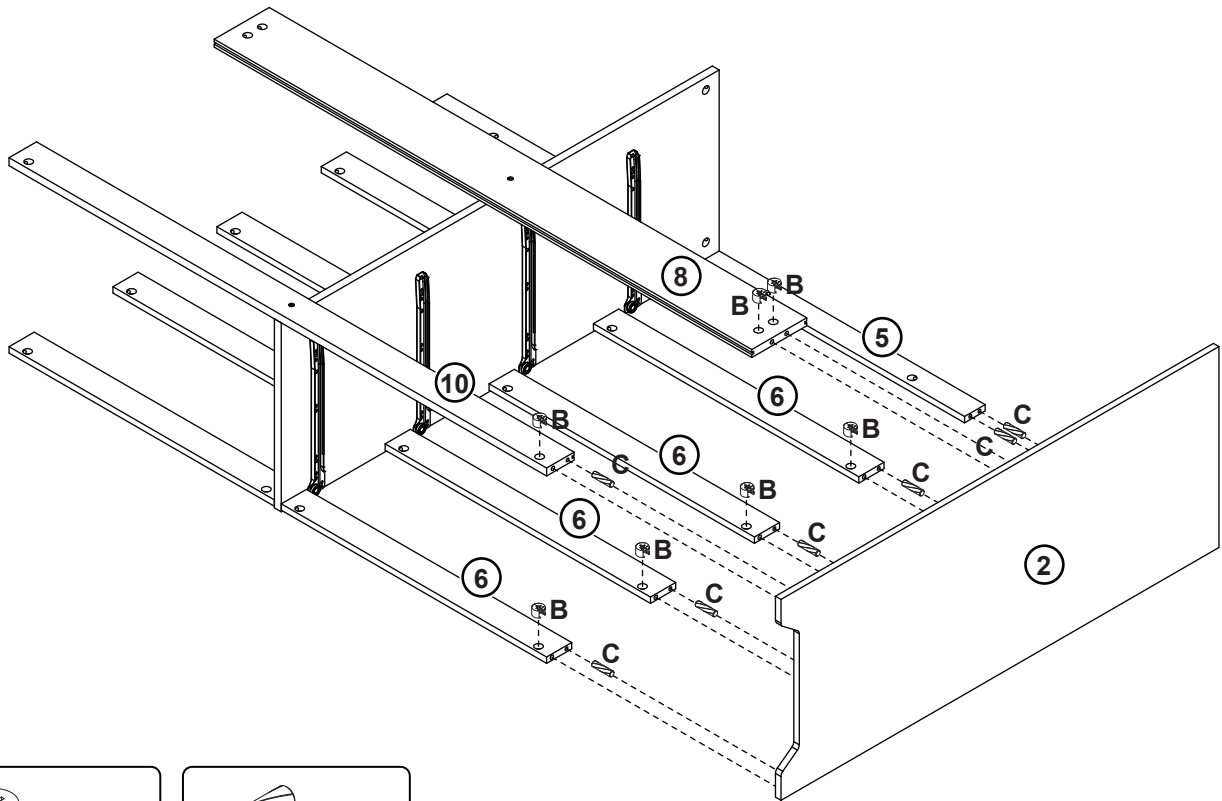
Step 3



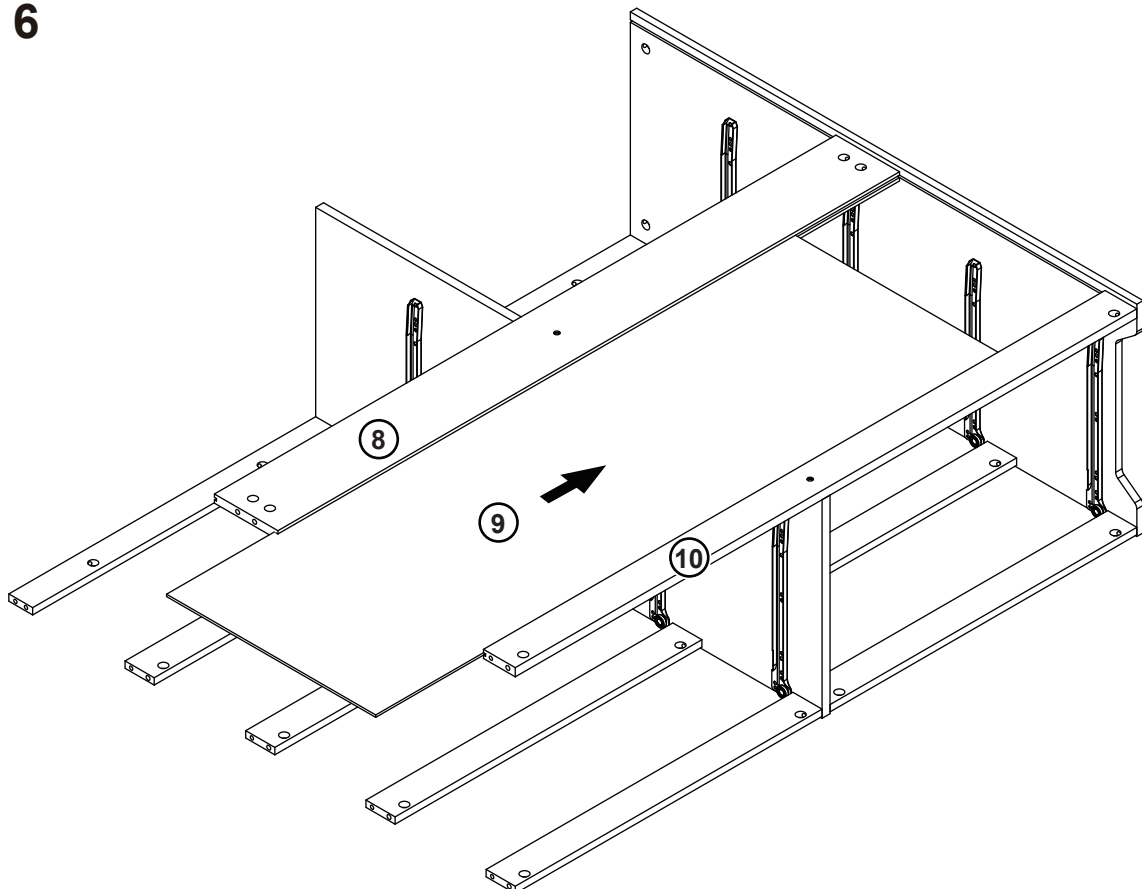
Step 4



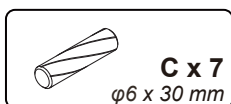
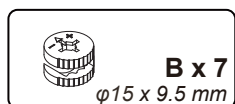
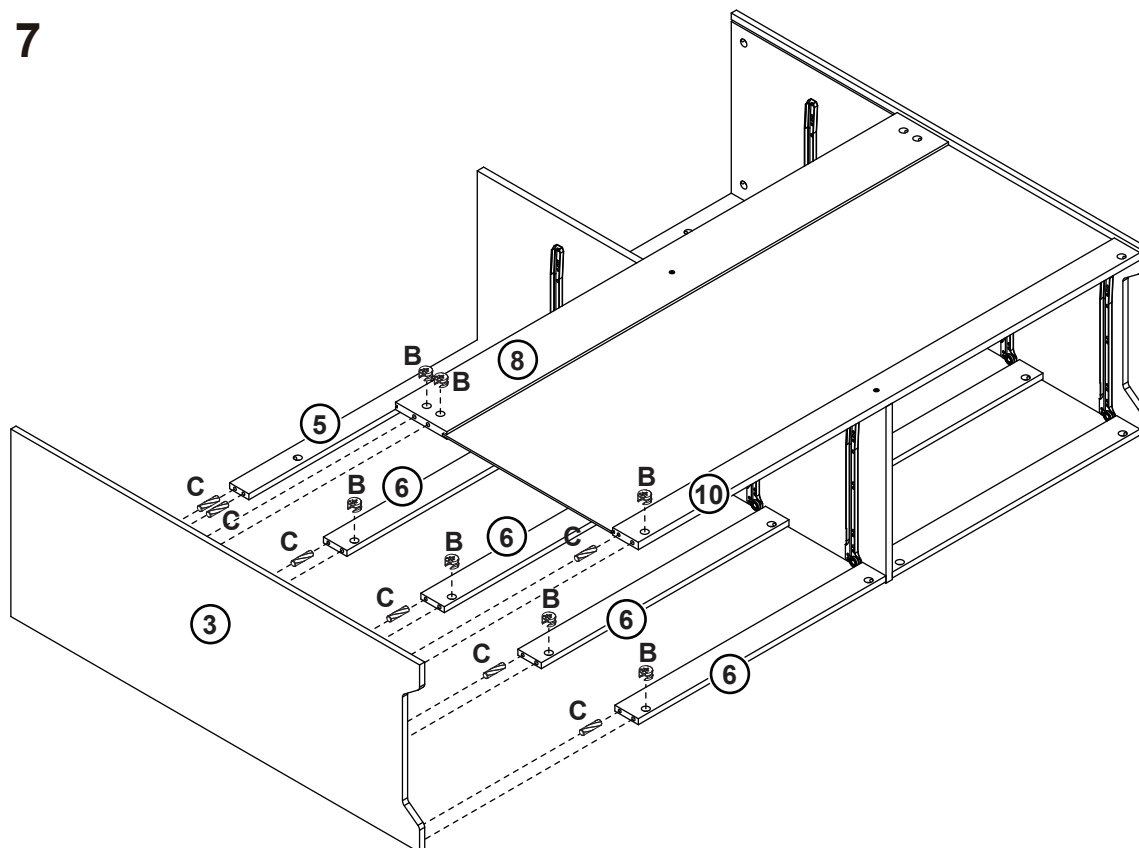
Step 5



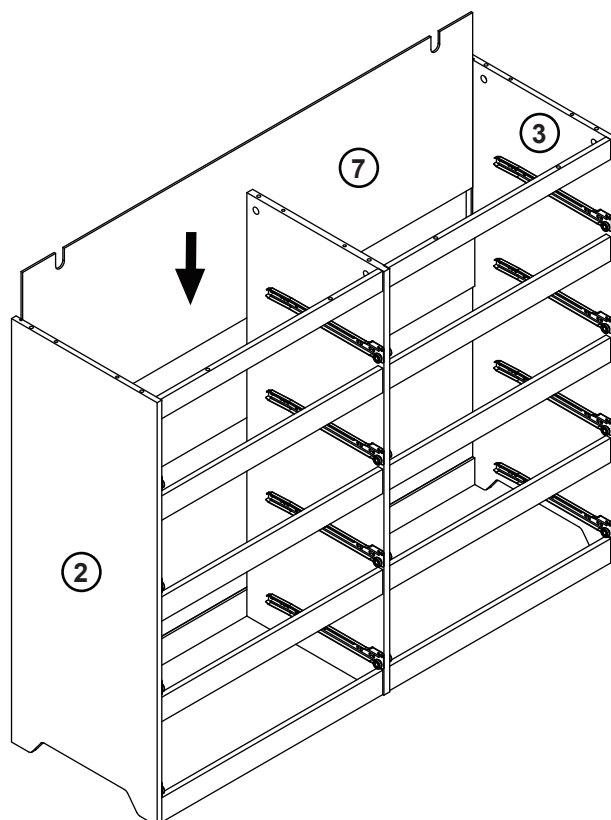
Step 6



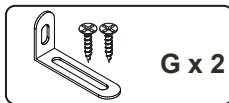
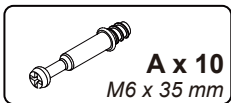
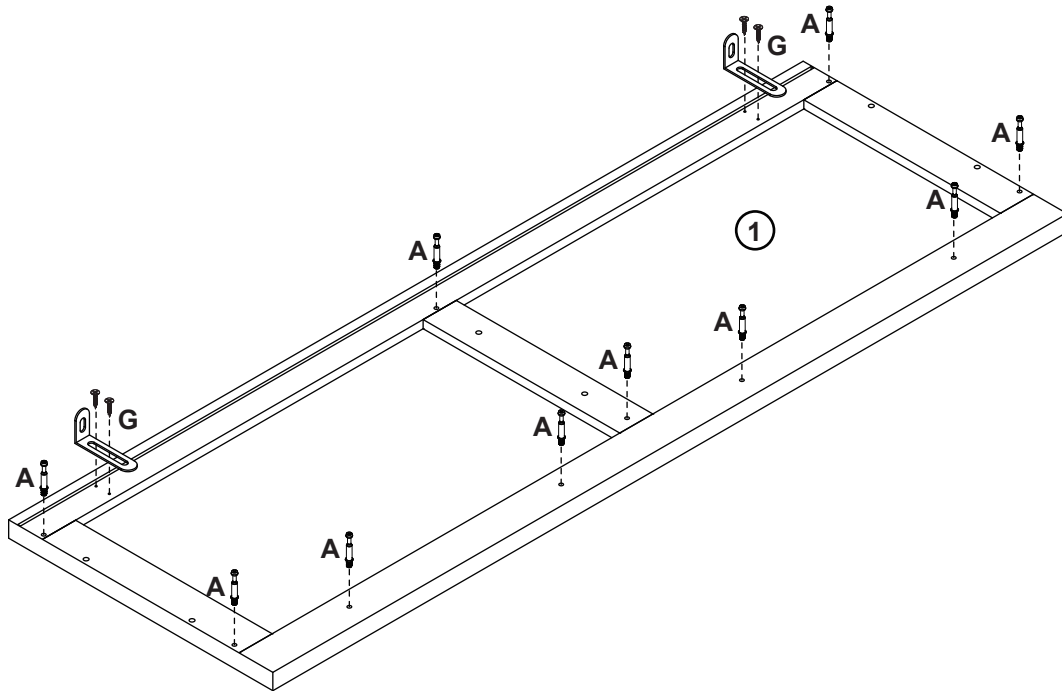
Step 7



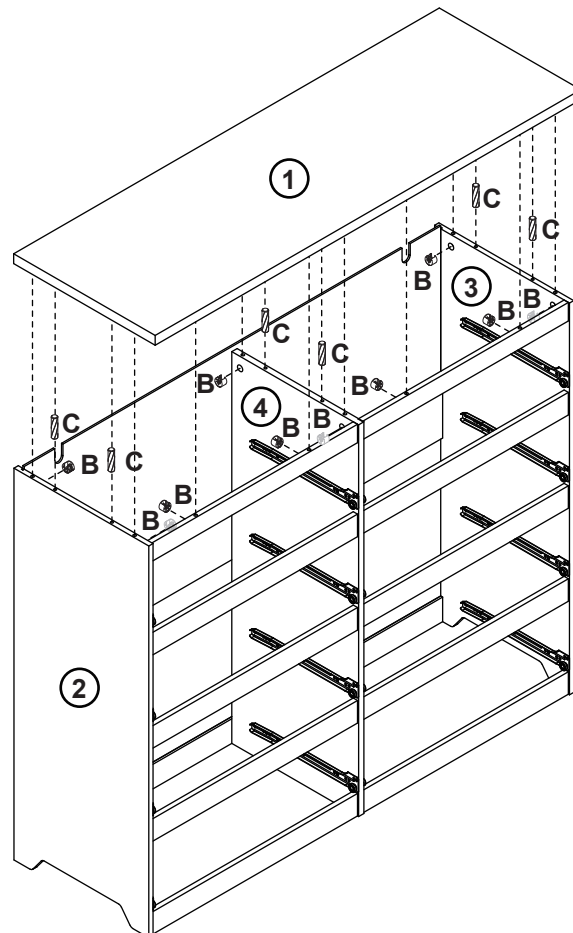
Step 8



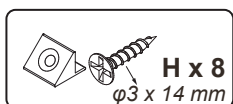
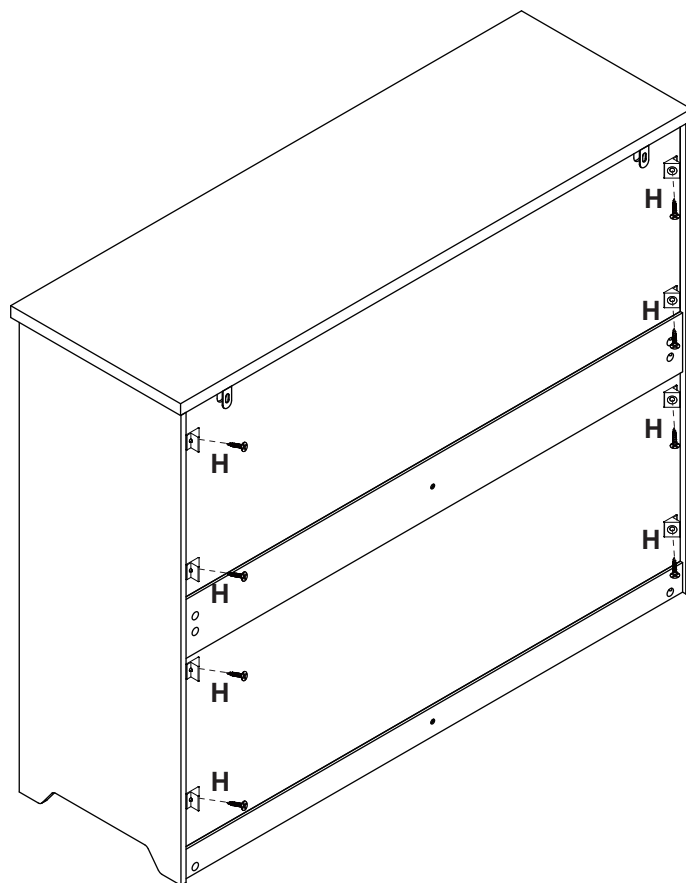
Step 9



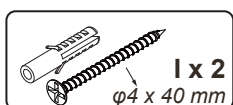
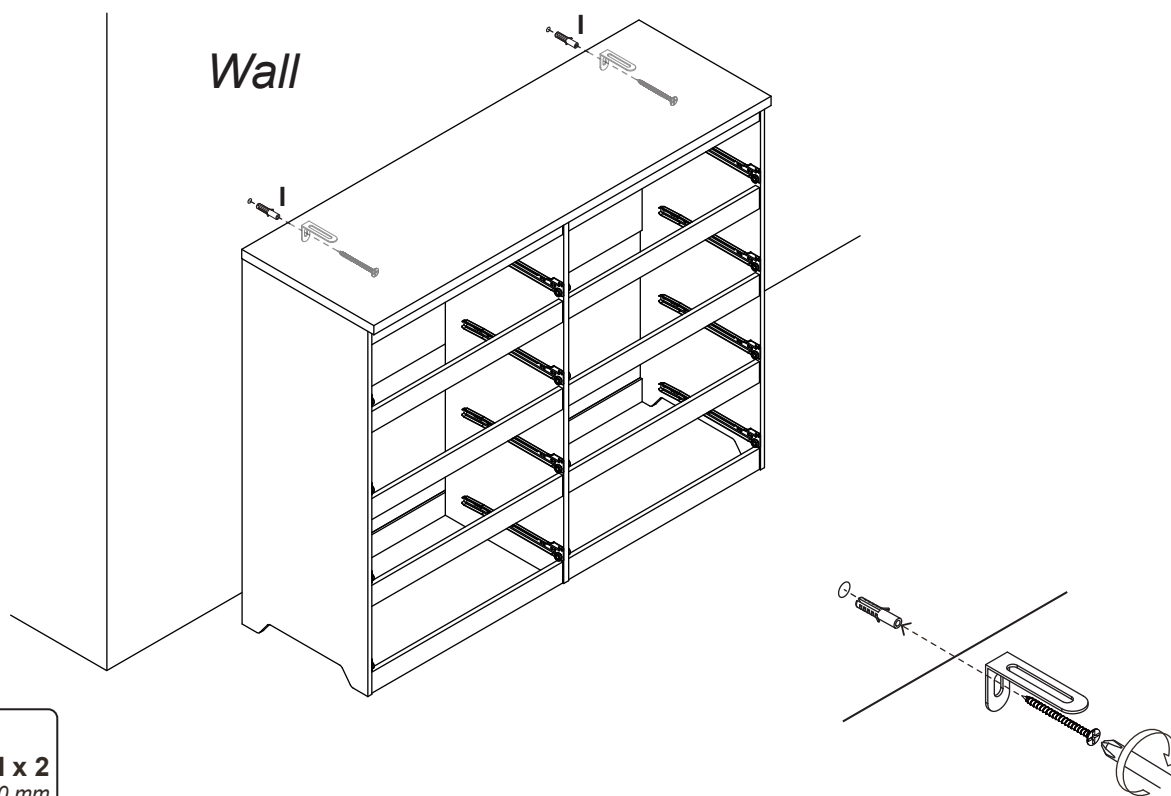
Step 10



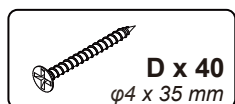
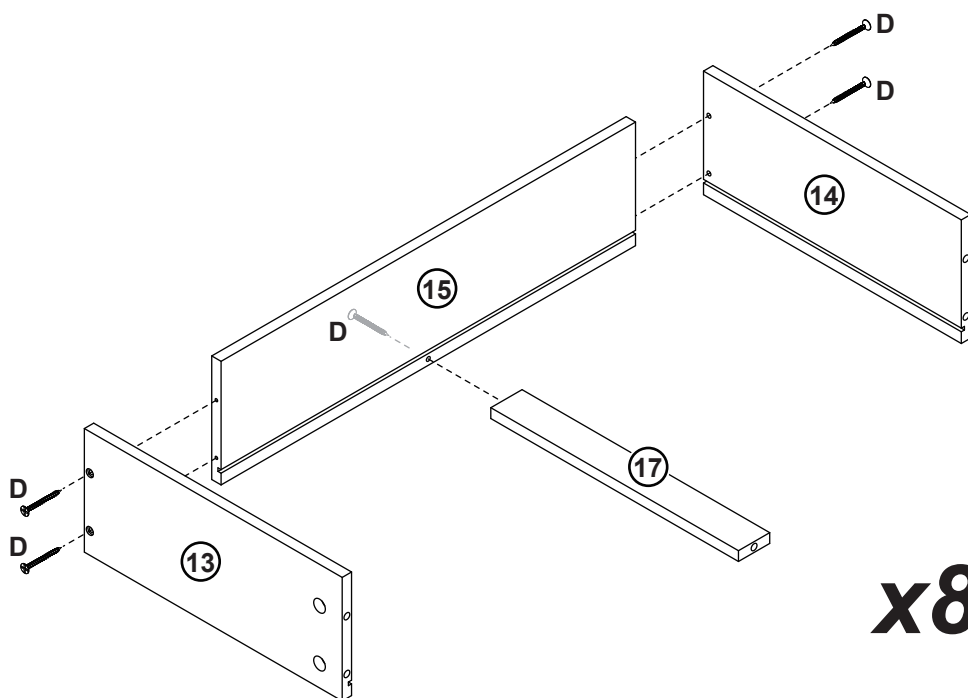
Step 11



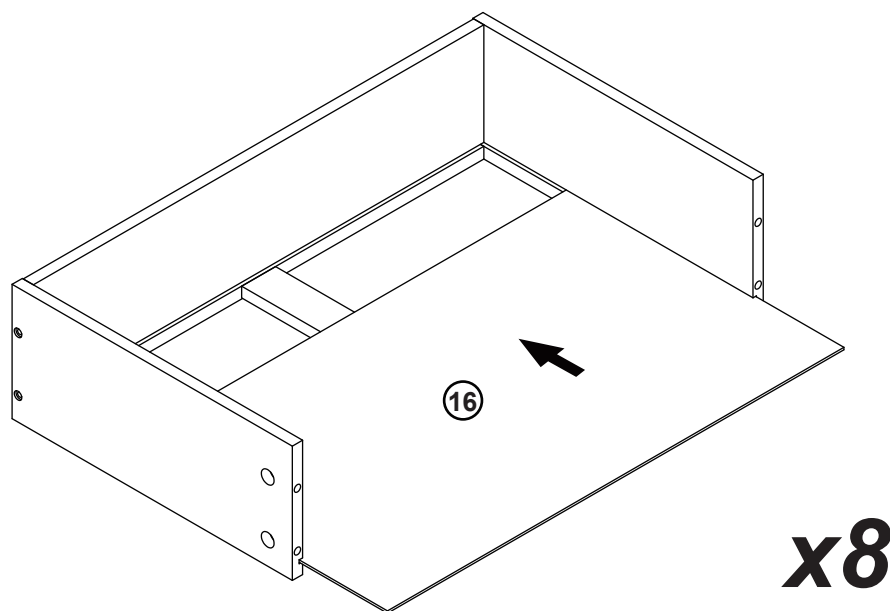
Step 12



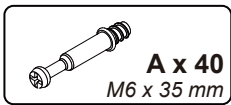
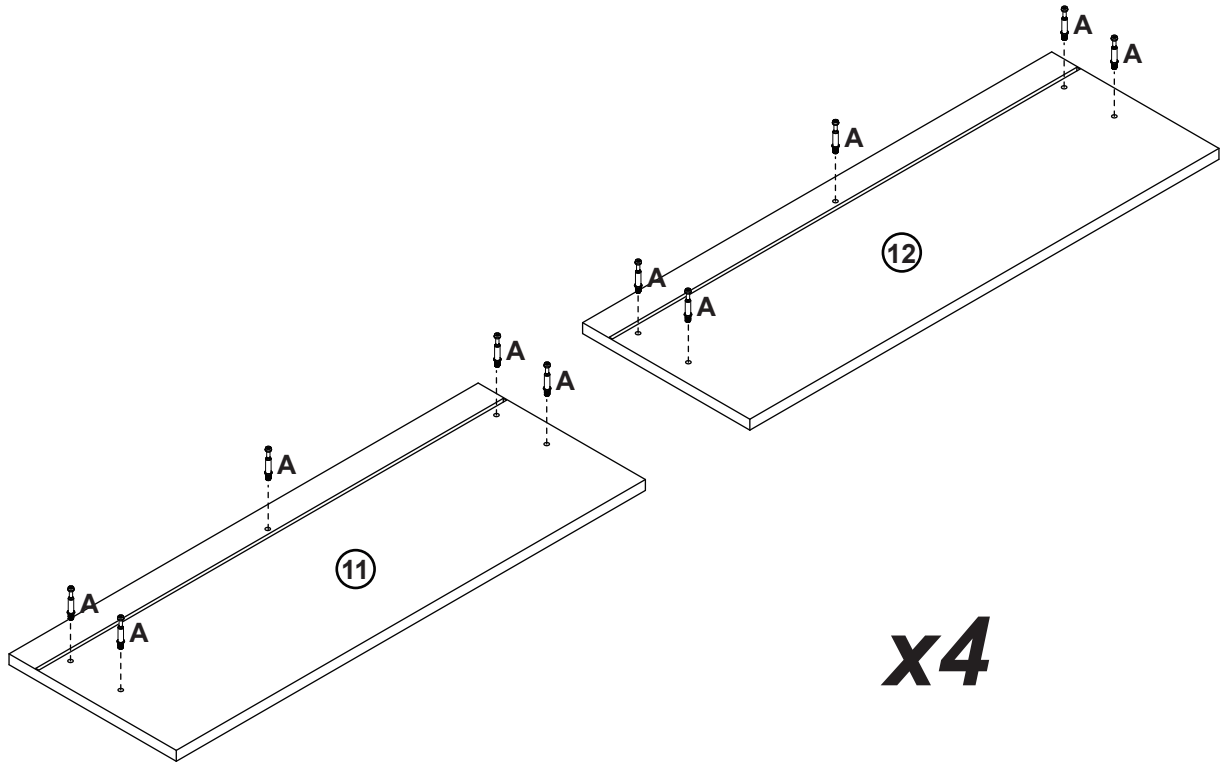
Step 13



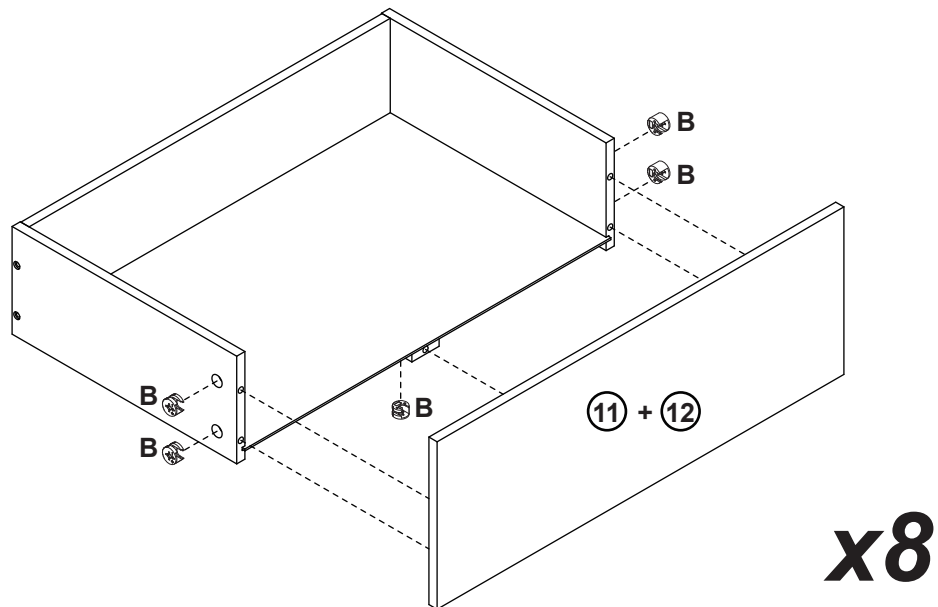
Step 14



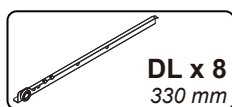
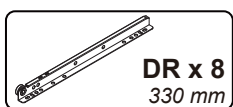
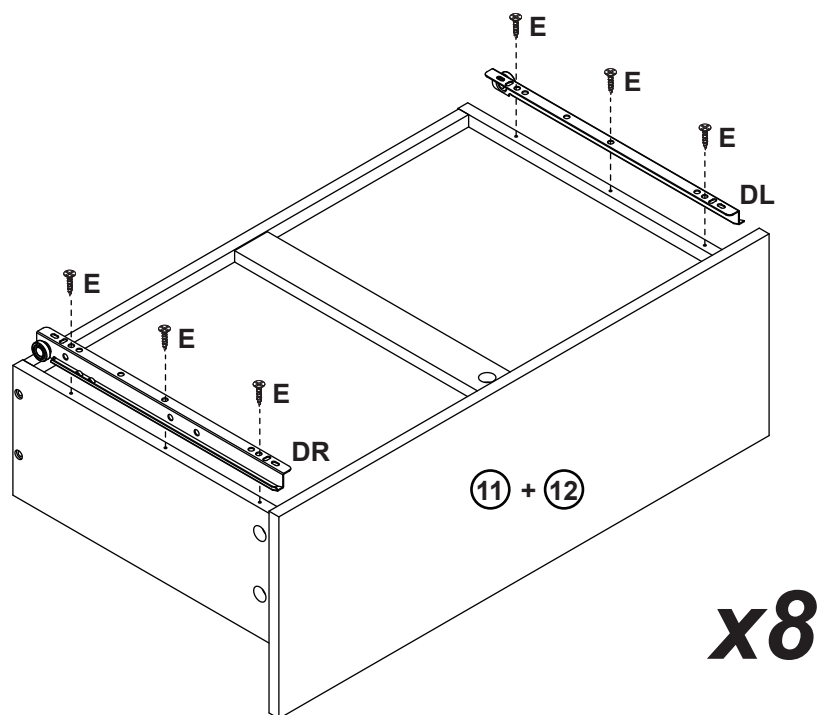
Step 15



Step 16



Step 17



Step 18

