

NOLAN 48"

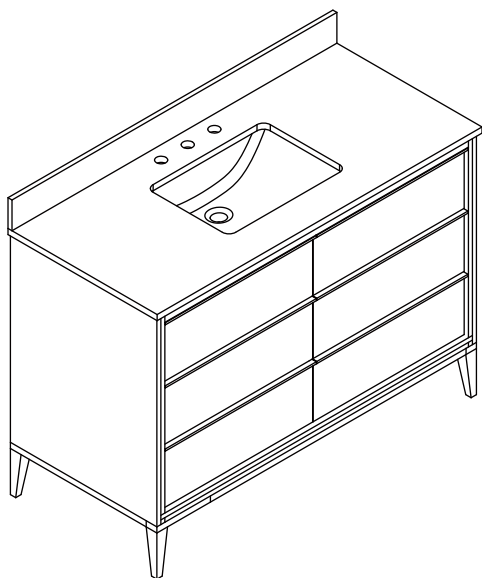
BATHROOM VANITY SET

SKU: NOLAN48QZ-WT

NOLAN48QZ-OAK

Colors/Finishes: White, Light Oak

Nominal Dimension: 48W*22D*35H inches



VANITY FEATURES:

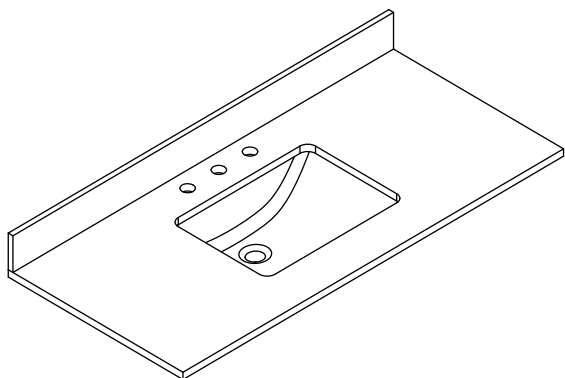
1. Material: Solid poplar wood frame, high-quality veneer plywood.
2. Drawers: 6 soft-close drawers, DTC concealed soft-close sliders.
3. Hardware: Metal alloy
4. Installation Type: Freestanding
5. Built-in Adjusters: Adjustable height levelers
6. Vanity Top: High-quality quartz/marble with single undermount sink
7. Assemble required: No
8. Vanity top Included: Yes
9. Mirror Included: Optional
10. Medicine Cabinet Included: Optional

Contents

48"Vanity.....PAGE2

48"Vanity Top.....PAGE3

Vanity Installation.....PAGE4



VANITY TOP FEATURES:

1. Material: Highly resilient, nonporous, scratch-and stain-resistant quartz, or natural Italian Carrera white marble.
2. Top Color: Carrera white
3. Sink: 1*20" undermount rectangle sink
4. Faucet Hole s: Top pre-drilled for 8" widespread faucet holes
5. Sink Certified: CUPC certified
6. Backsplash: 4" backsplash included
7. Faucet Included: No
8. Nominal Dimension(W*D*H): 48W*22D*0.79H inches

NOLAN48"

BATHROOM VANITY SET

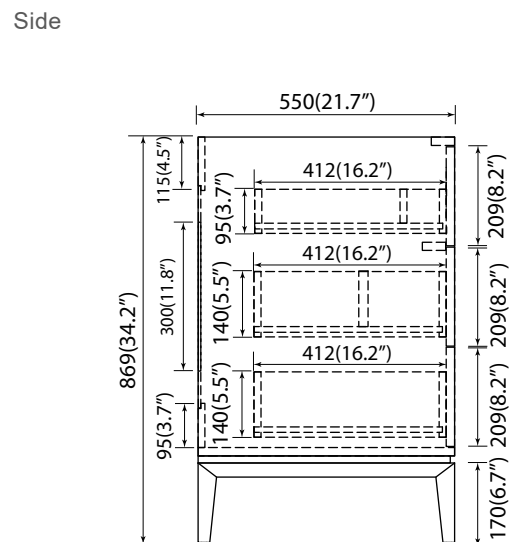
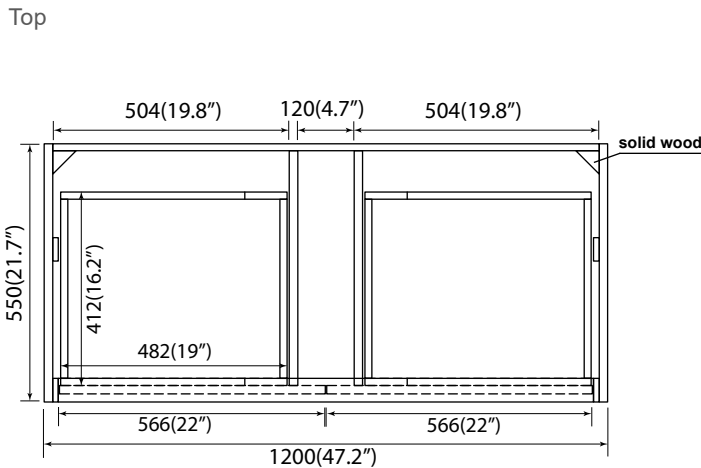
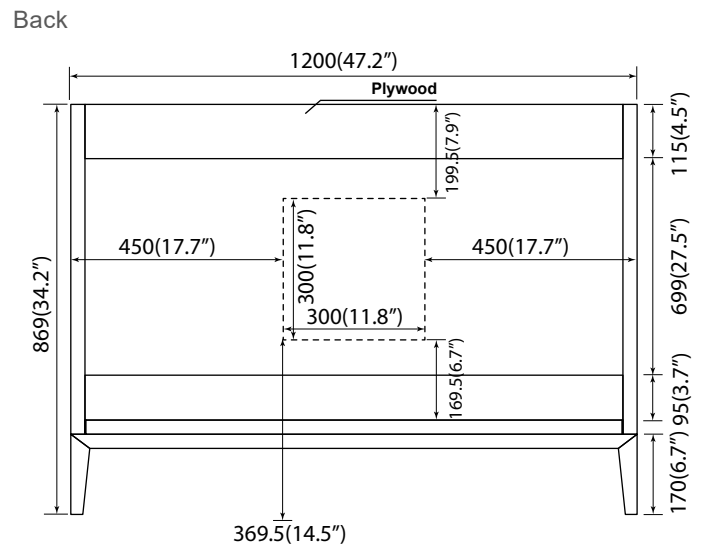
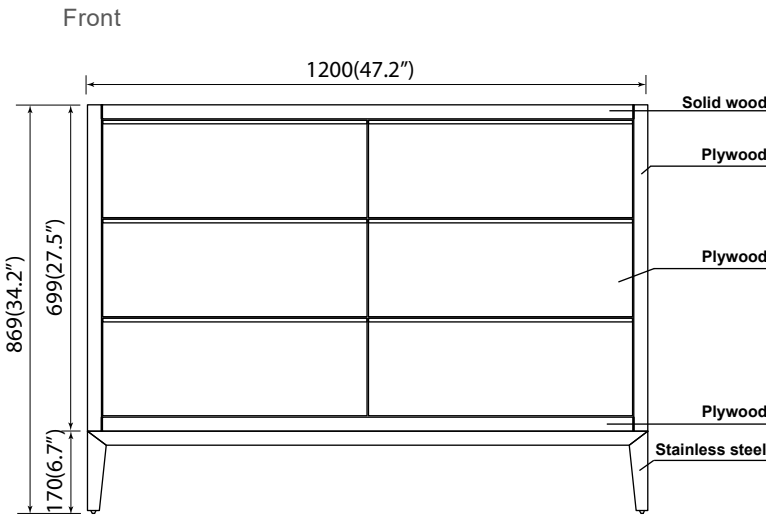
SKU: NOLAN48QZ-WT

NOLAN48QZ-OAK

COMPONENTS:

Vanity	NOLAN48QZ-WT	NOLAN48QZ-OAK
Vanity Top	QZ48CW20HD	QZ48CW20HD
Wall Mirror	W6FM4836BG	W6FM4836BG
Medicine Cabinet	W4MCL3630	W4MCL3630

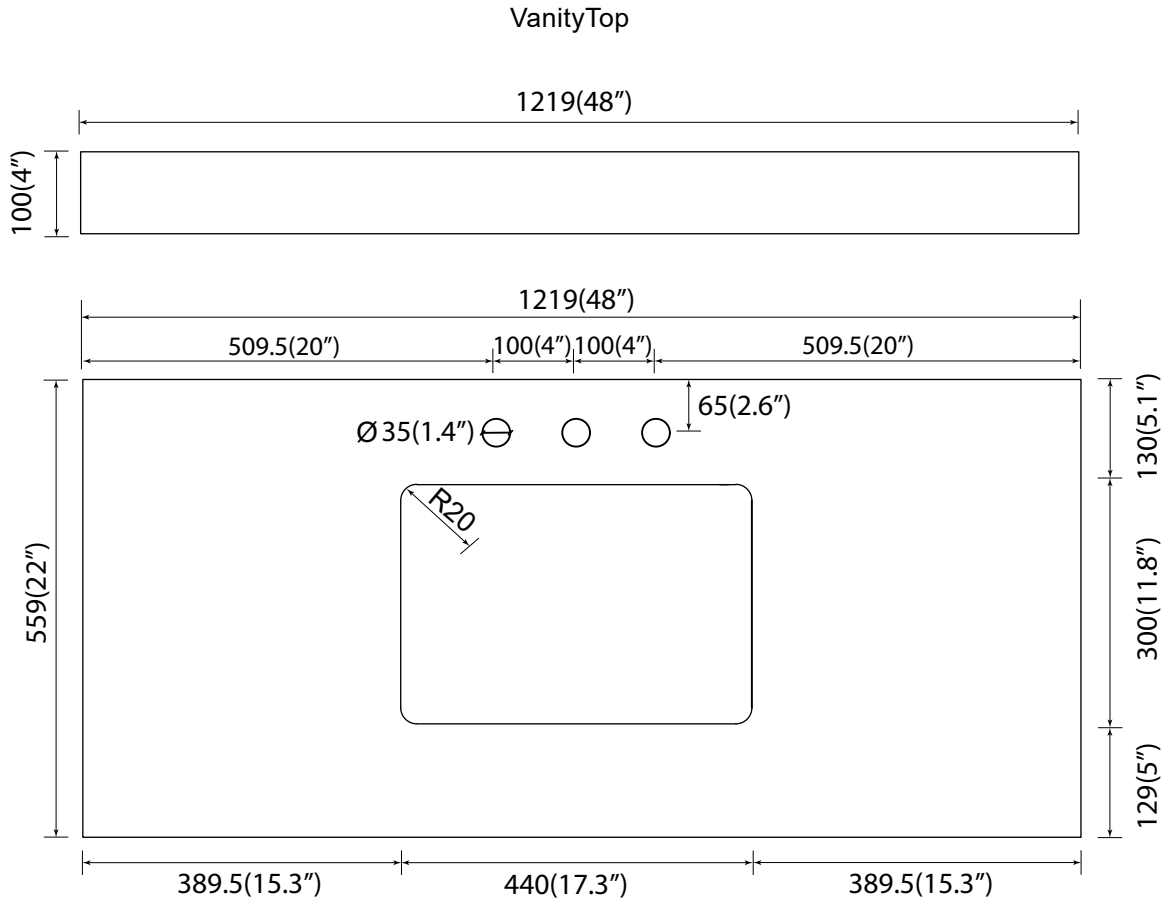
PRODUCT DIAGRAMS:



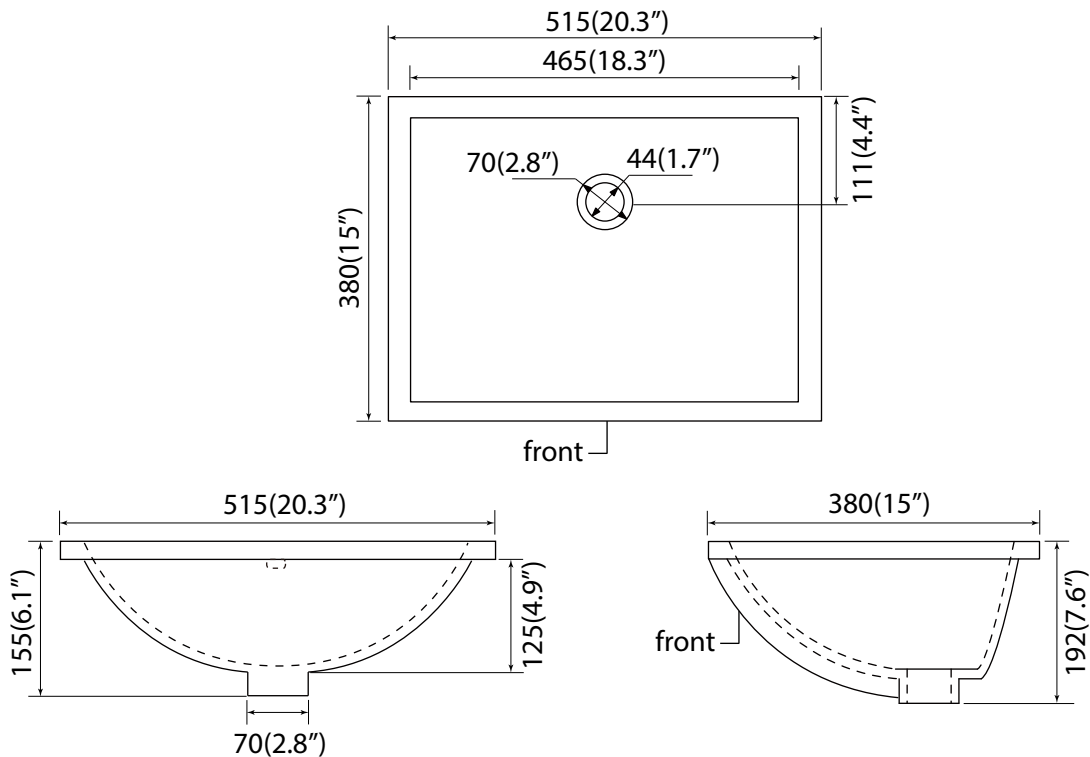
NOLAN 48"

VANITY TOP

With rectangular undermount sink



Undermount Sink



Vanity Installation

SUGGESTED TOOLS AND MATERIALS:



Sealant



Measuring tape



Safety glasses



Rag

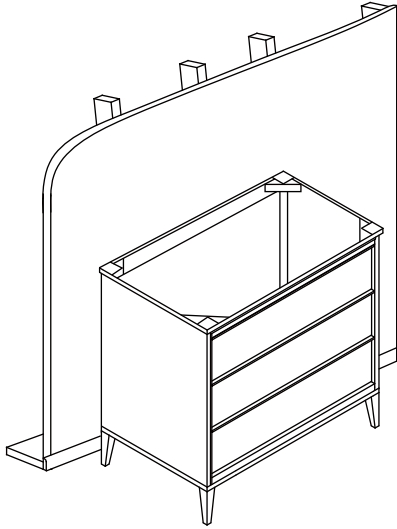


Level

INSTALLATION INSTRUCTLONS

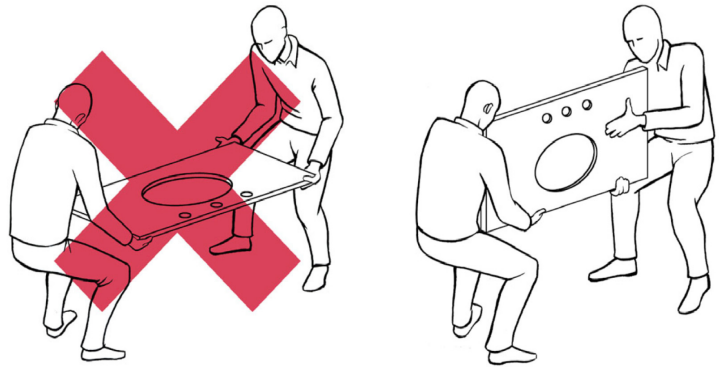
We recommend consulting a professional if you are unfamiliar with installing bathroom fixtures and plumbing .We accept no liability for any damage to the floor,plumbing, vanity cabinet,sink,counter top,or personal injury during installation.

1



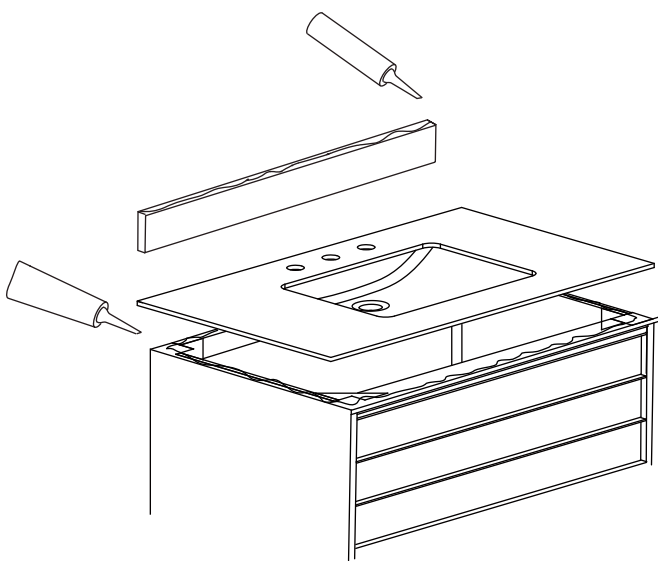
Remove vanity from box and examine vanity for any defects or damage.Carefully place vanity against wall.

2



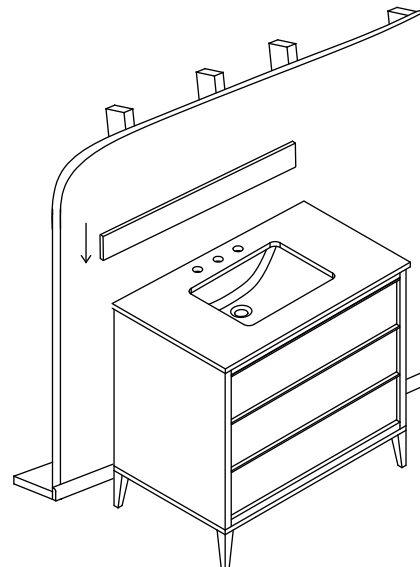
Always use a two man crew,a single person crew is much more likely to break or chip the stone top.

3



Apply bead of quality sealant evenly along the bottom of backsplash and the top of the vanity.

4



Finally,place the bottom side of back splash with sealant onto the counter top and check alignment of back splash.