

Dishwasher Installation Instructions



INSTALLER: Leave installation instructions with owner.

OWNER: Read your dishwasher Use and Care Manual. It contains important safety information for operating this appliance. It also has many suggestions for getting the best results from your dishwasher.

Printed in U.S.A.

154437301
(8765)

Before You Begin

Read all instructions before installing dishwasher.

For your safety, please read and observe all safety instructions. This guide will help you anticipate drain, water, and electrical connections, and help you select the best location for the dishwasher.

WARNING

Tip Over Hazard

- Do not use dishwasher until completely installed.
- Do not push down on open door.
- Failure to follow this warning can result in serious injury.

Installation Tips

Tools and Materials Needed for Installation

- Drill, Electric
- Driver, Socket, 1/8", 1/4", 3/8"
- Flaring Tool/Tube Cutter (for copper tubing)
- Flashlight
- Level
- Pipe Joint Compound (for iron pipe plumbing) or Pipe Thread Tape (for sealing threads)
- Pliers
- Safety Glasses
- Saw, Keyhole or 1/4", 1 1/2" to 2" Hole Cutters
- Screw Drivers, Slotted and #2 Phillips (magnetic tip preferred)
- Tape, Electrical or Duct
- Tape, Measuring
- Wire Stripper or Utility Knife
- Wrench, Hex-end
- Wrenches, 2 Adjustable (for copper tubing) or 2 Pipe wrenches (for iron pipe plumbing)

Parts You Will Need* (Not Included)

- Drain Hose Clamp, 1 1/2" Diameter
- Elbow, 90° with a 1/2" National Pipe Thread
- Conduit/Connector
- Wire Nuts, two (2) for 12-14 gauge wire

* If required:

- 1/2" Branch Tailpiece and Connector Kit (See Step 4)
- Air Gap Kit (See Step 4)
- Fasteners for floor anchoring (See Step 9)

Available at:

- Plumbing Supply Store
- Plumbing Supply Store
- Hardware Store

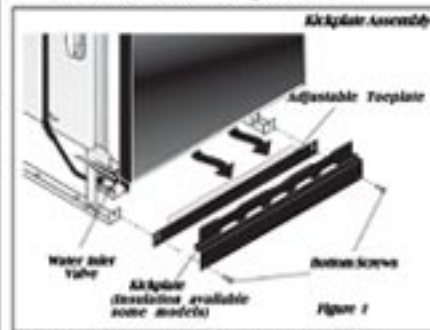
WARNING

- Electric Shock Hazard**
Disconnect electrical power at the fuse box or circuit breaker box before beginning installation. Failure to follow this warning could result in death or serious injury.

- Examine dishwasher and locate connections. See Step 4.
- Locate dishwasher where there is easy access to drain, water, and electrical lines. The best location is on either side of the kitchen sink for access to existing plumbing and ease in loading dishes. See Step 4.
- Electrical, water, and drain connections are not the same for all ages, brands, or models of dishwashers. Check the location and length of home utilities. See Step 4.
- A 15-20 amp, grounded, 120 volt AC only, electrical supply is required. See Steps 4 and 5.
- If dishwasher drain hose will be connected to a food disposer for the first time, knock out plug located inside disposer inlet. See Steps 4 and 5.
- Kinked water or drain hoses can cause problems. See Step 4.
- Dishwashers need to be connected to a hot water supply with enough water pressure to insure an adequate fit. See Steps 4 and 7.
- Each home installation differs. You will need additional parts listed above to complete your installation. See Steps 4 and 7.
- Flush water line prior to making the final connection to prevent clogging of dishwasher's filter screen. See Step 7.
- The dishwasher will look, sound, and perform best when properly leveled. See Step 5. (NOTE: If levers are removed during installation, make sure the floor is flat and free of any obstruction.)
- Anchor the dishwasher. See Step 9.

Installation Preparation

- Remove two (2) screws at front of the kickplate assembly using a #2 Phillips screw driver.
 - Tilt and pull forward to remove. See Figure 1.
- NOTE:** It is not necessary to remove the outer door for installation. However, you might find it more convenient to do so. You can find directions for removing door in Step 10.



- Locate water inlet valve behind kickplate on bottom left underside of unit. The valve has a 1/2" NPT female fitting.
- Wrap 90° elbow (not included) with pipe thread tape (or apply joint compound) and thread it into water inlet valve.
- Tighten elbow with a wrench, leaving elbow pointing toward rear of unit. To prevent bending of bracket or breaking of valve, avoid overtightening.

Cabinet Preparation

As a precaution, it is recommended, but not required that the cabinets enclosing all sides of the dishwasher (including the underside of the countertop) be sealed with an oil based paint or moisture-proof polyurethane to prevent possible steam/moisture damage.

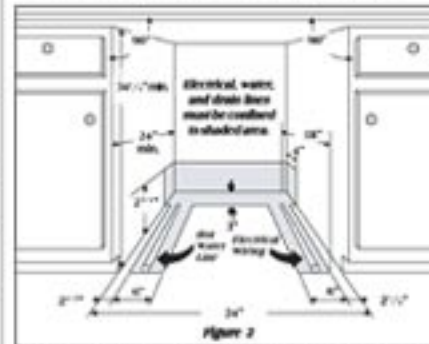
Roughing In

3

WARNING

- Electric Shock Hazard**
Observe all local codes and ordinances for electrical and plumbing connections. All electrical and plumbing work should be performed by qualified persons. Failure to follow this warning could result in death or serious injury.

- Make sure your location has the right drain, water, and electrical outlets to make the connections. Do not install unit under a countertop range. Damage to plastic tub will occur.



IMPORTANT: For proper operation and appearance of unit, cabinet opening should have dimensions as shown in Figure 2. If unit is to be placed in a corner, there must be at least a 2 inch side clearance to open door.

- Remove any carpet from area to provide motor clearance. Floor should be flat and free of any obstruction.

IMPORTANT: Drain, water, and electrical lines should be roughed-in before going any further.

WARNING

- Electric Shock Hazard**
Electrical, water, and drain lines must be confined to shaded areas in Figure 2. Electric conductors, water, and drain could be damaged. Failure to follow these instructions could result in fire or electric shock.

NOTE: If dishwasher is installed at end of a cabinet line, sides and back must be fully enclosed.

NOTE: You can order a Cabinet Seal Kit (Kit # 154528791) by contacting your dealer or parts supplier. This kit provides a seal between the unit and cabinets once installation is complete. (This kit is included on select models.)

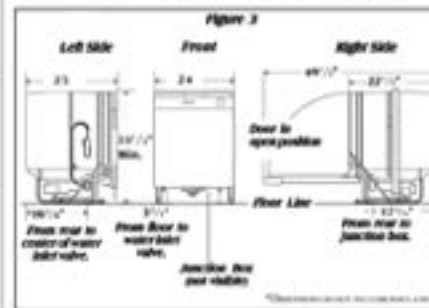
Connections For Electrical, Water, and Drain

4

IMPORTANT: Do not cross drain, water, and electrical lines in front of dishwasher motor or frame.

Locating the Connections

- Review dimensions in Figure 3 to locate dishwasher's drain, water, and electrical connections.
- All connections must be made in shaded area in Figure 2.



IMPORTANT: Disconnect power before starting installation.

Electrical

- The dishwasher operates on a 120 volt, 60 Hz electrical supply. Provide a separate circuit with a fuse or circuit breaker rated for at least 15 amps (20 amps if connected with disposer) but not more than 20 amps.
- Note the locations of electrical supply and dishwasher's electrical junction box on right underside of unit behind kickplate assembly. See Figure 3.
- Cut access hole in shaded area shown in Figure 2.
- Pull electrical cable through hole into installation area.

Water

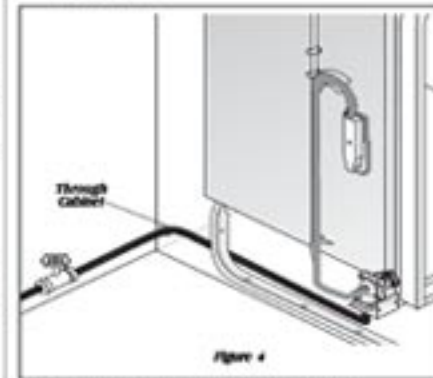
- Determine where you will connect to hot water supply. Review Figure 3 and note the location of water inlet valve.

CAUTION

Property Damage

Do not use the furnished drain hose or a rubber garden hose for the water supply line. Either of these hoses can burst. Flooding may occur and cause property damage.

- Be sure water inlet valve is protected from freezing. If valve freezes and ruptures, flooding may occur.
- Determine amount of tubing needed to connect hot water supply to the unit's water inlet valve. Copper tubing must have a minimum 1/2" OD. High-pressure and high-temperature rated plastic tubing with a minimum inner diameter of 1/2" may be used. A shut-off valve installed outside dishwasher cabinet is best. See Figure 4.

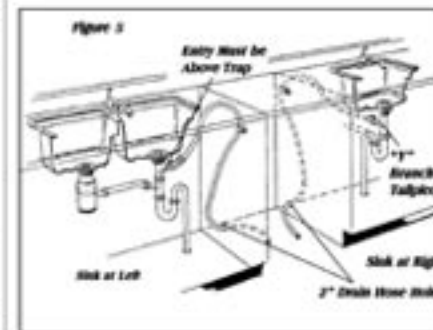


- Cut water access hole in shaded area in Figure 2.
- Route water supply line into installation area.

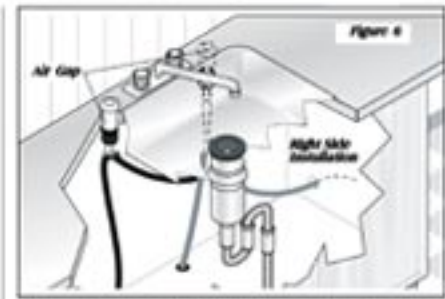
IMPORTANT: Incoming hot water temperature should be at least 120°F (49°C). Water pressure should be between 20-120 psi.

Drain

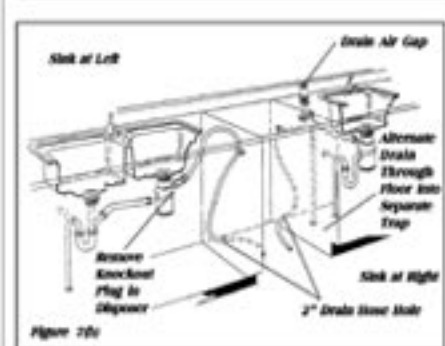
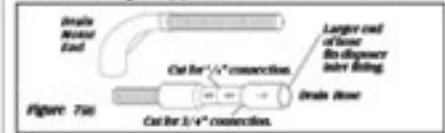
- Review Figures 5, 6 and 7 to see the different ways to connect dishwasher to drain system. Choose method that best suits your need.



- If you connect to a sink drain, entry will need to be above trap. A 1/2" branch tailpiece and connector kit, not included, will make this method easier and includes all needed fittings and instructions. See Figure 5.



- If you connect to a sink trap, local codes may require you to install an air gap kit, (not included). The drain hose will be routed from dishwasher to air gap inlet as shown in Figure 6. An air gap kit is available from a plumbing supply store. (If the drain hose is installed through the floor, an air gap is necessary).
- If you connect to a disposer, the large end of drain hose will fit inside disposer inlet before making the final fit to drain hose. See Figure 7(b).



- Before cutting drain hose access, check both sides of selected area to avoid interference. Cut a 2" diameter hole in shaded area shown in Figure 2.

- If the cabinet wall is wood, sand edges of hole until smooth and rounded; if cabinet wall is metal, cover all sharp edges with electrical or duct tape to avoid cutting drain hose.