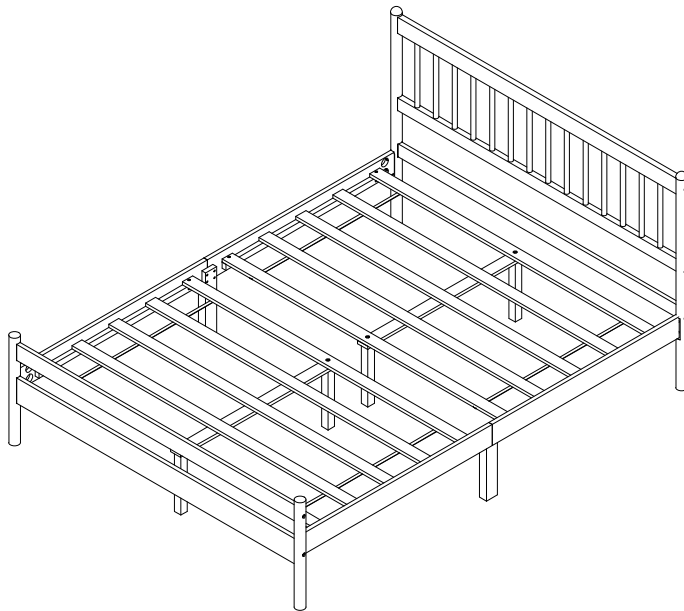


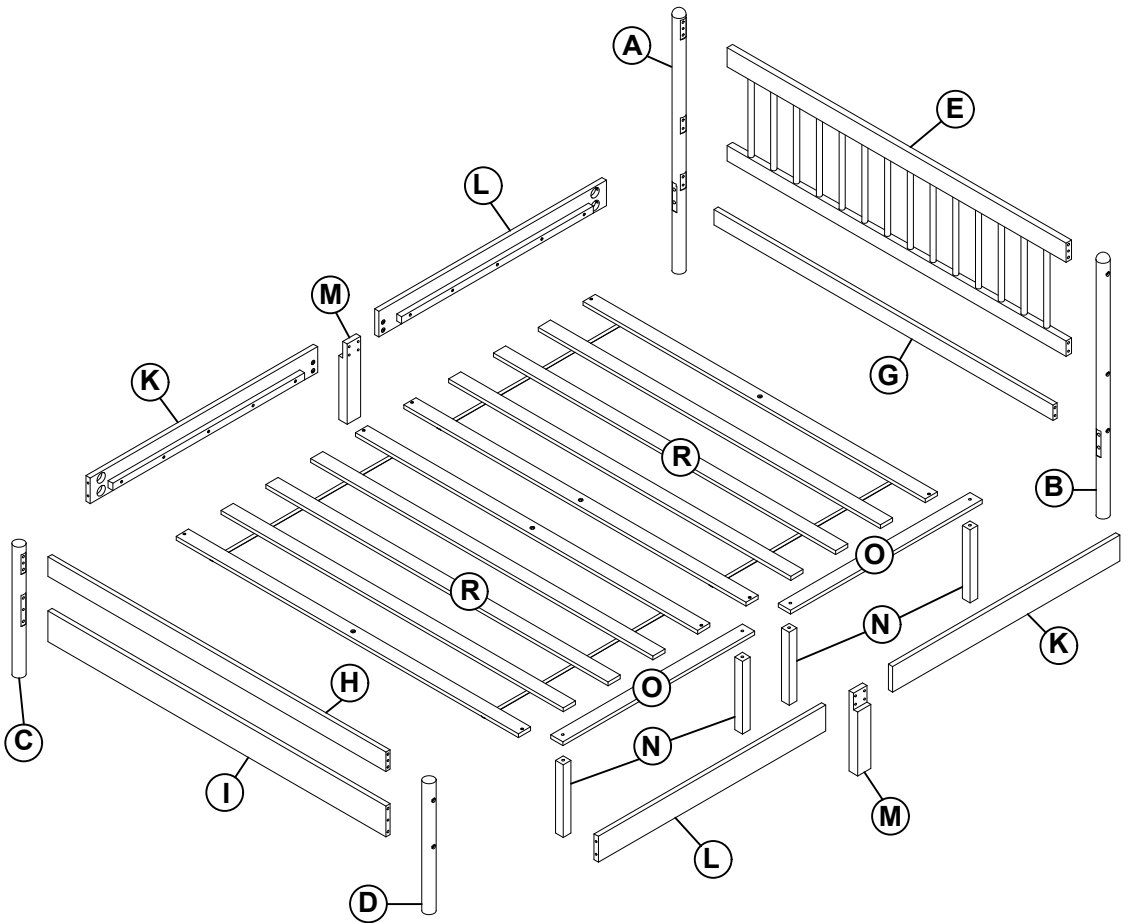
ASSEMBLY INSTRUCTIONS

QUEEN BED

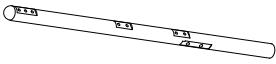


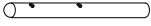
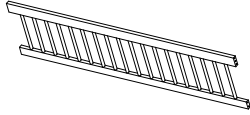
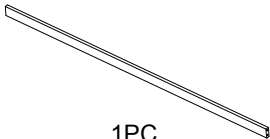

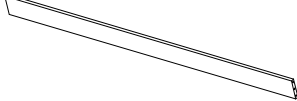




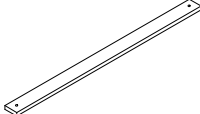



SD33028








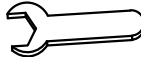

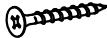

Detail View



Part List

A  1PC	B  1PC	C  1PC
D  1PC	E  1PC	G  1PC
H  1PC	I  1PC	K  2PCS
L  2PCS	M  2PCS	N  4PCS
O  2PCS	R  2PCS	

Hardware List

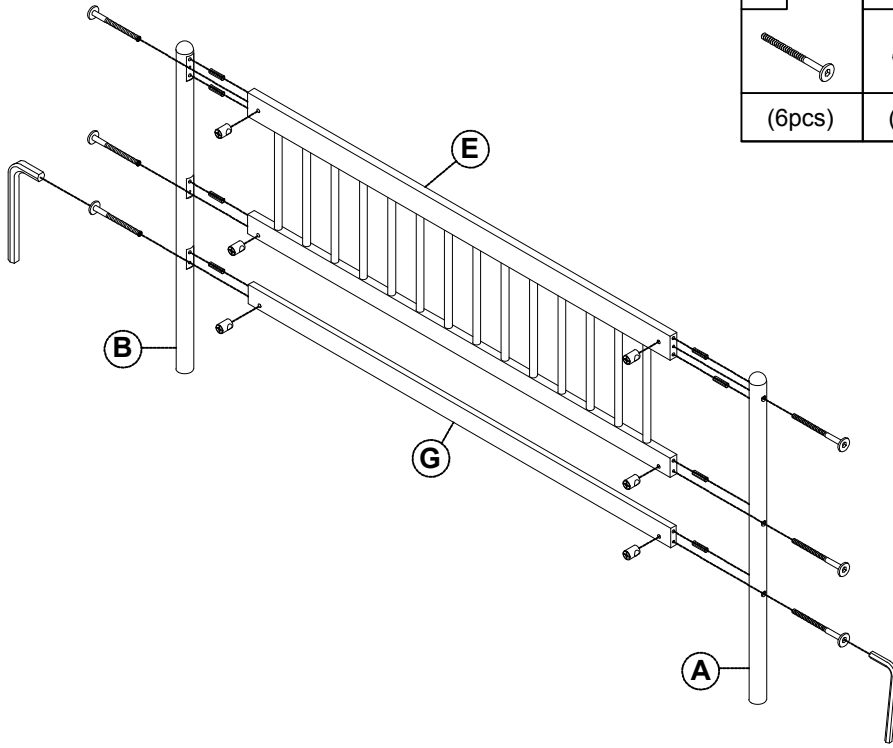
1  (Ø15) x1/4"x90mm Hex-Head bolts (10pcs)	2  (Ø15) x1/4"x35mm Hex-Head bolts (8pcs)	3  (Ø15) x1/4"x50mm Hex-Head bolts (4pcs)
4  1/4"x15mm(9.5mm) Horizontal-Hole Nuts(10pcs)	5  Ø5x16"x90mm BOLT (8pcs)	6  Ø5x16" CRESCENT WASHER (8pcs)
7  Ø5x16" NUT (8pcs)	8  WRENCH (1pc)	9  Ø8x30mm Wooden dowel (16pcs)
10  4x30mm Wood screws (8pcs)	11  (1/4") 4.5x58mm Allen key (1pc)	



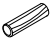
ASSEMBLY TOOLS REQUIRED (NOT INCLUDED)



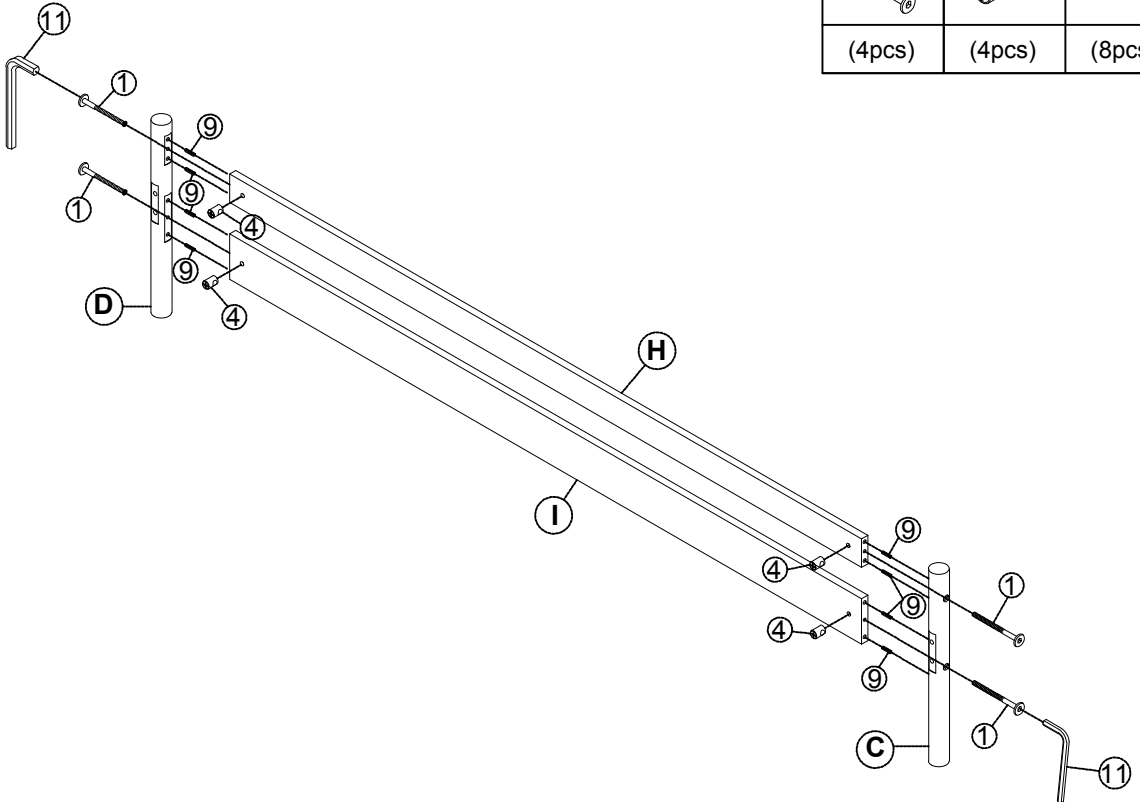
PLEASE BE CAREFUL DO NOT DAMAGE THE HOLE POSITION WHEN YOU USE POWER TOOLS !



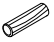
STEP 1



1	4	9
		
(6pcs)	(6pcs)	(8pcs)

STEP 2



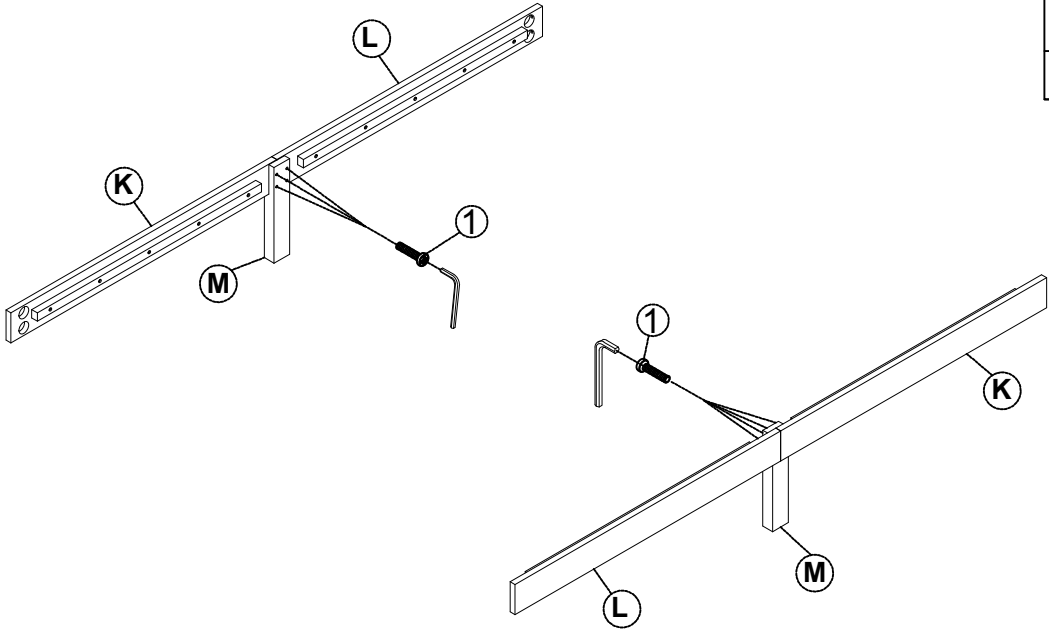
1	4	9
		
(4pcs)	(4pcs)	(8pcs)

STEP 3

2



(8pcs)



STEP 4

5



(8pcs)

6



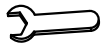
(8pcs)

7

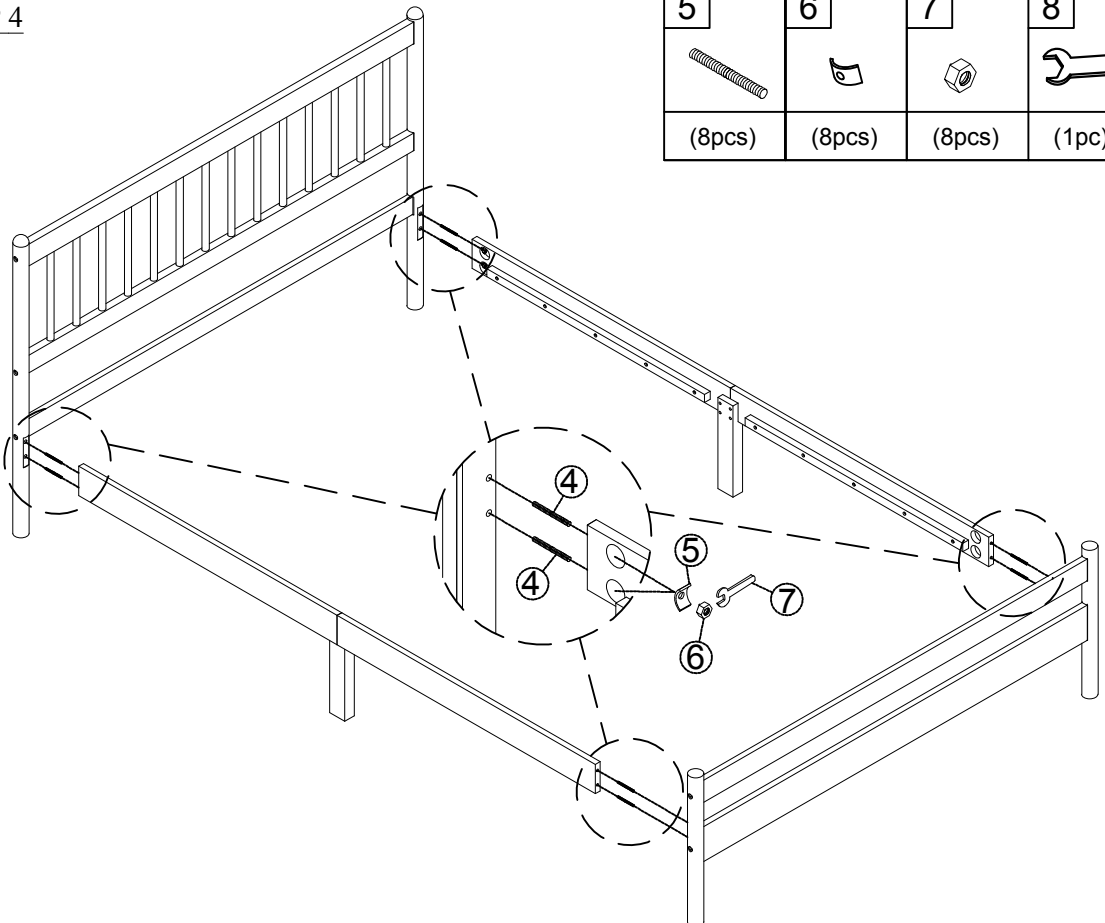


(8pcs)



8

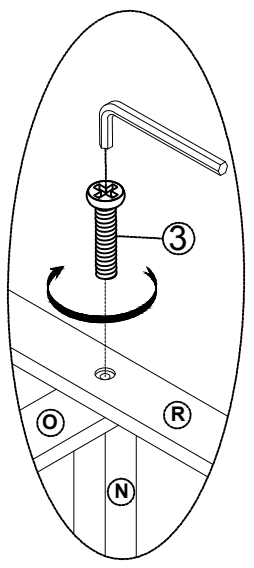
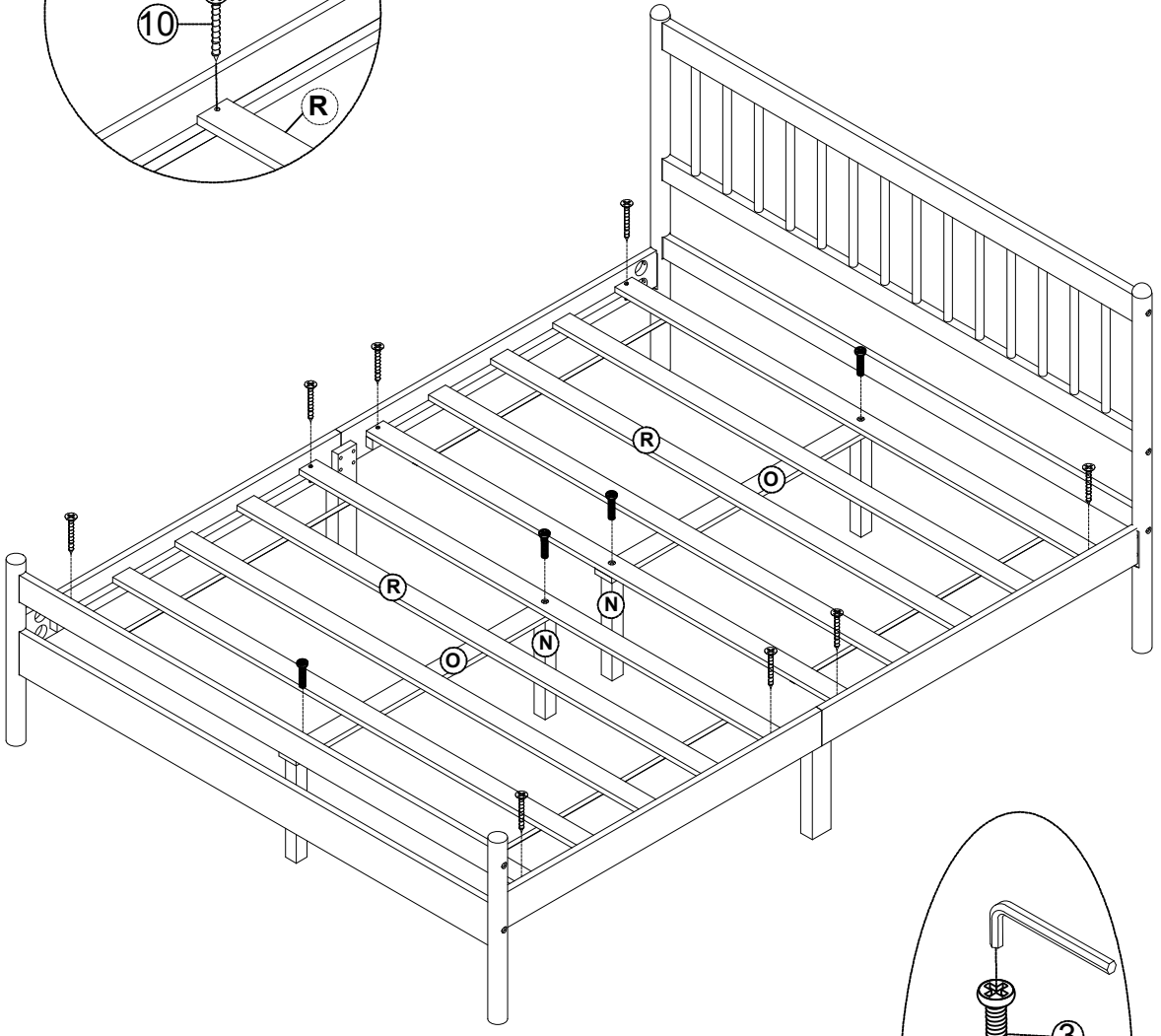
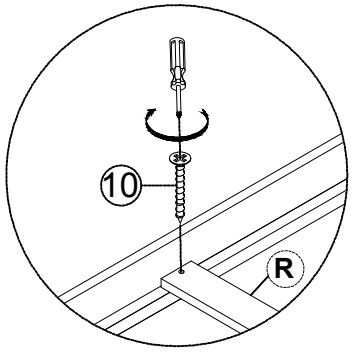


(1pc)



STEP 5

3	10
	
(8pcs)	(8pcs)



Finish

