
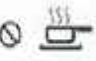








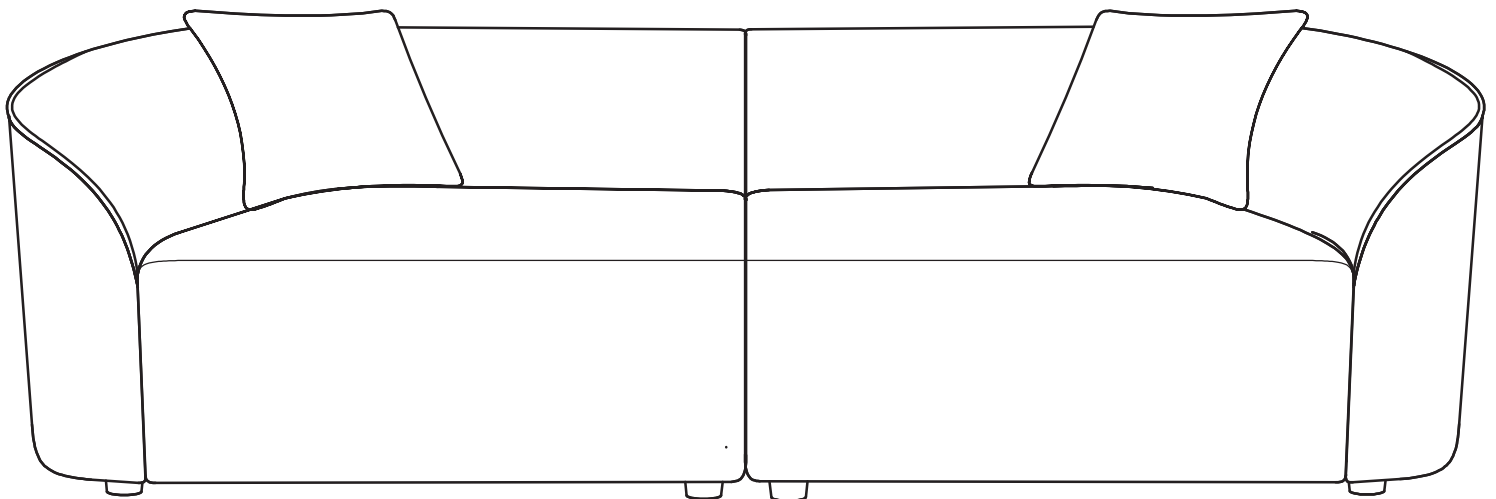


ASSEMBLY INSTRUCTIONS

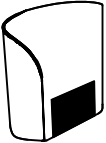
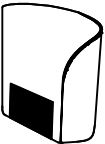
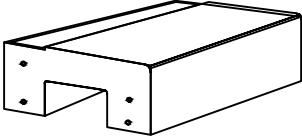
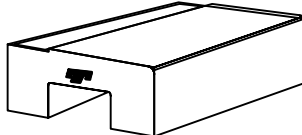
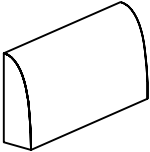
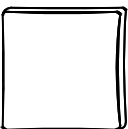

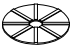
Caution : You must read this before you proceed

Care & Maintenance	
	○ Not for commercial use. For residential use only.
	○ Do not put hot items directly on furniture surface
	○ Do not clean furniture with harsh cleansers or polish.
	○ Do not place furniture under direct sunlight.
	○ Do not place furniture near heating or cooling vents.
	○ Do not write on furniture without a padded barrier to protect the surface.
	○ Do not place furniture outside . For indoor use only.
	○ Stains may be removed with mild soap solution and damp cloth.
	○ Children should not climb or jump on the furniture.
	○ Dust and pick-up spills using a clean, non-colored, lint-free cloth.

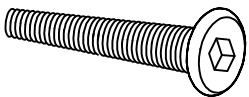
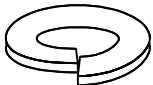


LOVESEAT



PARTS LIST:

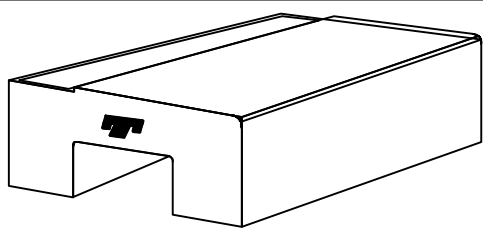
Label	Picture	Description	QTY
A		Left armrest	1
B		Right armrest	1
C		Left bottom frame	1
D		Right bottom frame	1
E		Backrest	2
F		Pillow	2
G		Sofa leg	8
H		sofa leg washers	8

Hardware:

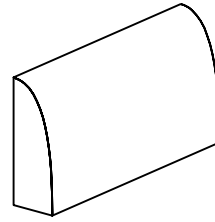
Label	Picture	Description	QTY
①		Long Screws (5/16x60mm)	13
②		Spring gasket	13
③		Gasket	13
④		Allen Wrench	2

Packing List

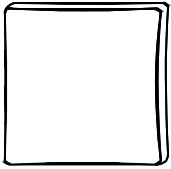
BOX 1-3 SKU:N767P354837



D×1

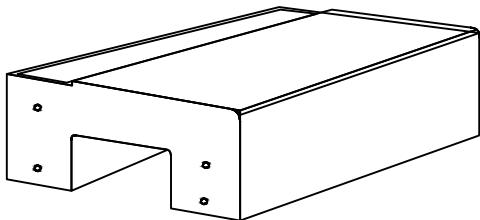


E×1

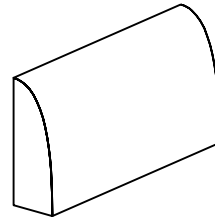


F×1

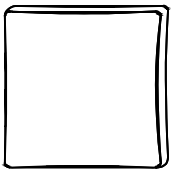
BOX 2-3 SKU:N767P354838



C×1

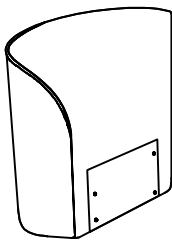


E×1

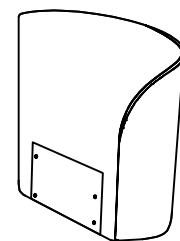


F×1

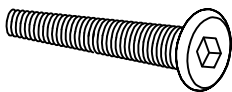
BOX 3-3 SKU:N767P354839



A×1



B×1

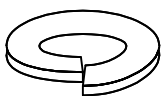


5/16*60MM

①×13

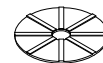


G×8

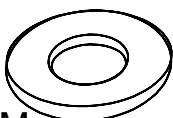


M8*12MM

②×13

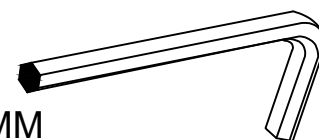


H×8



M8*19MM

③×13

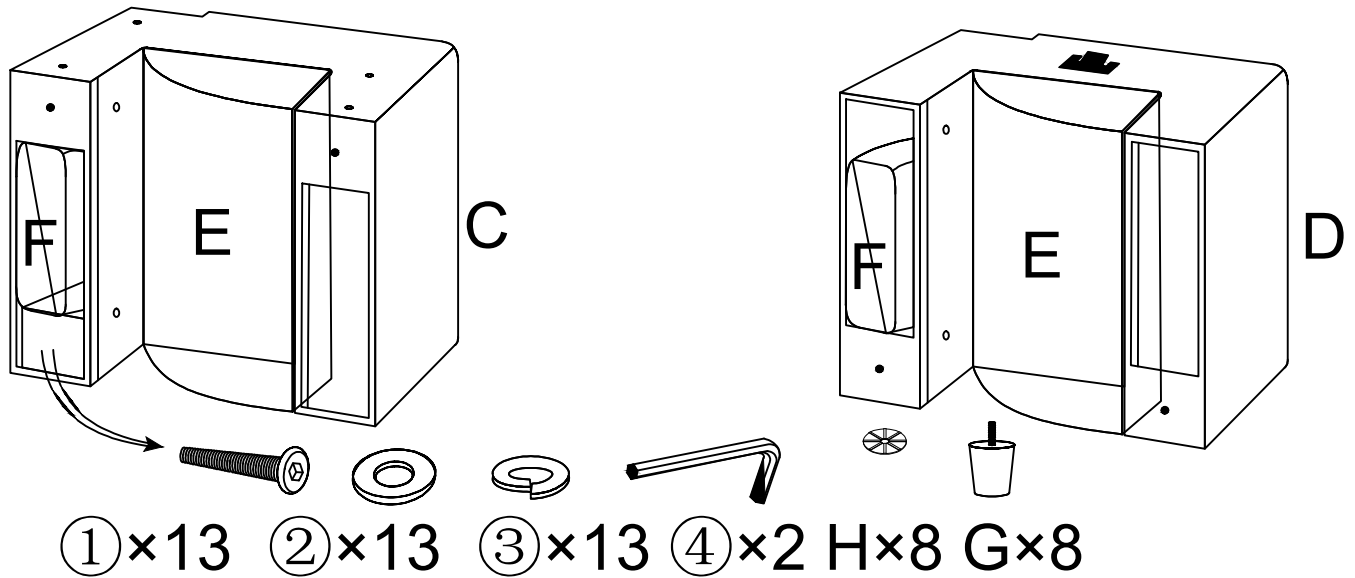


6MM

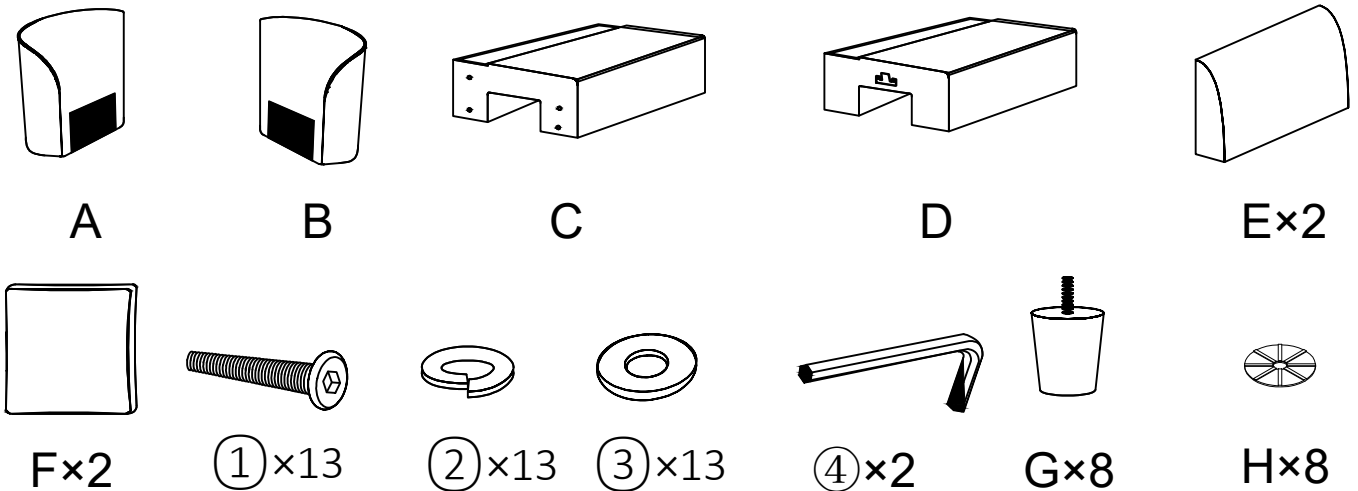
④×2

Assembly Preparation

Note: Place pillows, backrests, and accessories in the bottom space of the left and right bottom frames, and remove them before starting assembly.



Before Beginning Assembly:



Read instructions, cover to cover-



Have 2 adults on hand for assembly-



Do not assemble on flooring or carpet-



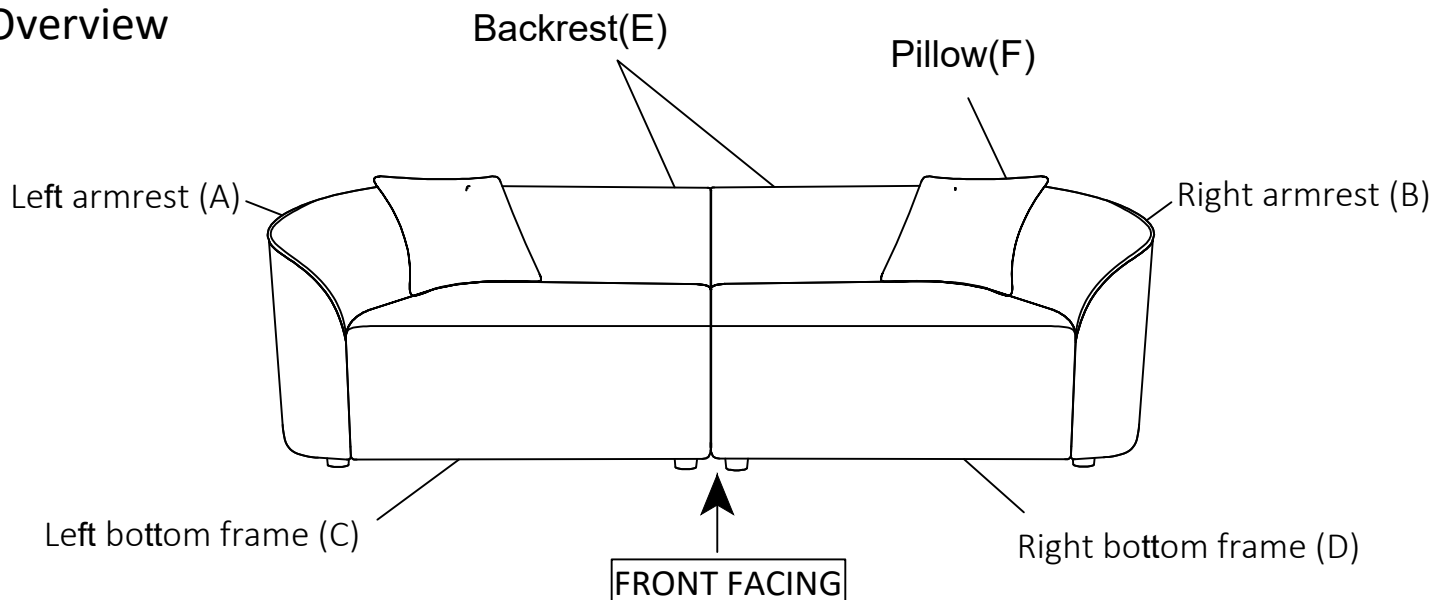
Assemble on a clean non-marring surface (packing foam)-



Save all packaging until finished-

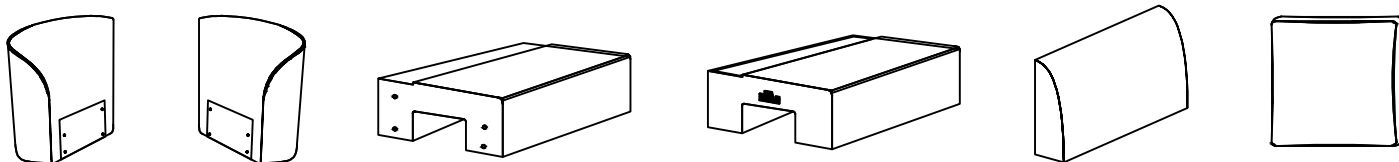
Assembly Steps

Overview



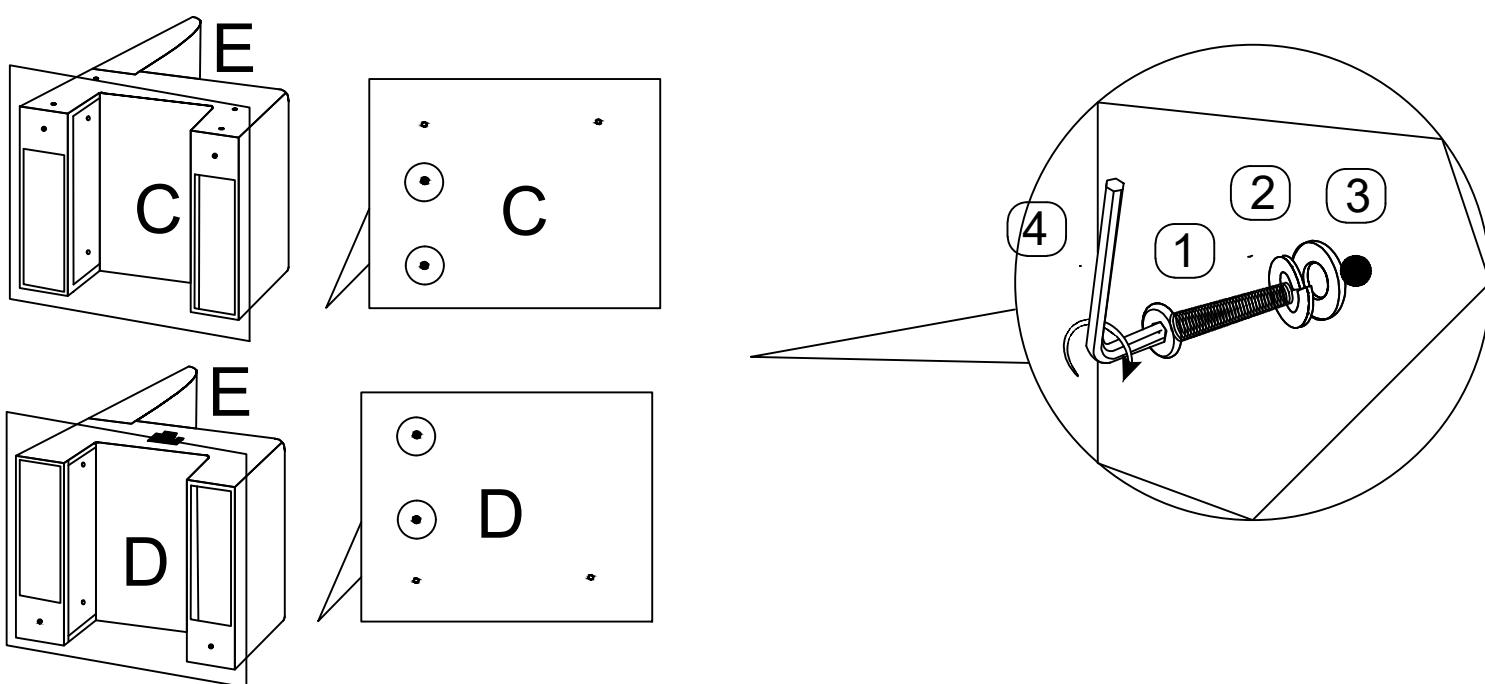
This Loveseat has multiple parts and may require up to 30 minutes to assemble. To give you an overview of the Loveseat parts, the above picture is to help you put the various parts into perspective. Please read through the instructions herebelow to familiarise the parts and steps before assembly.

Step 1:



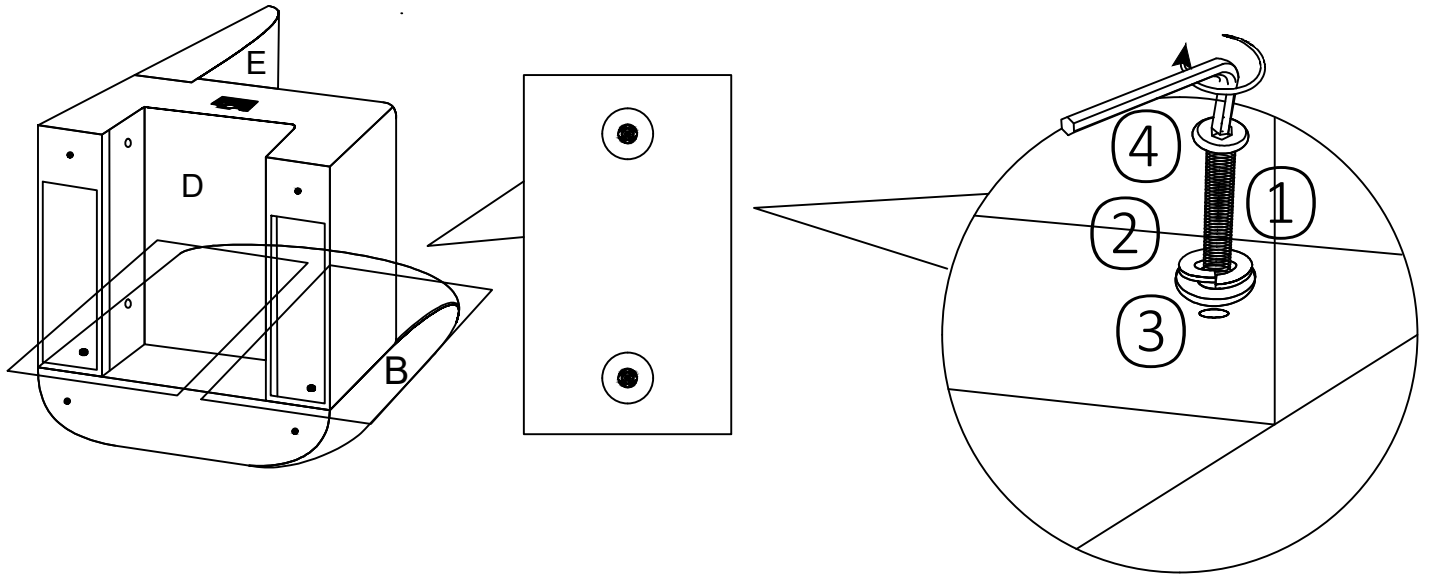
Unpack and place all parts on a clean, non-marring surface.

Step 2:



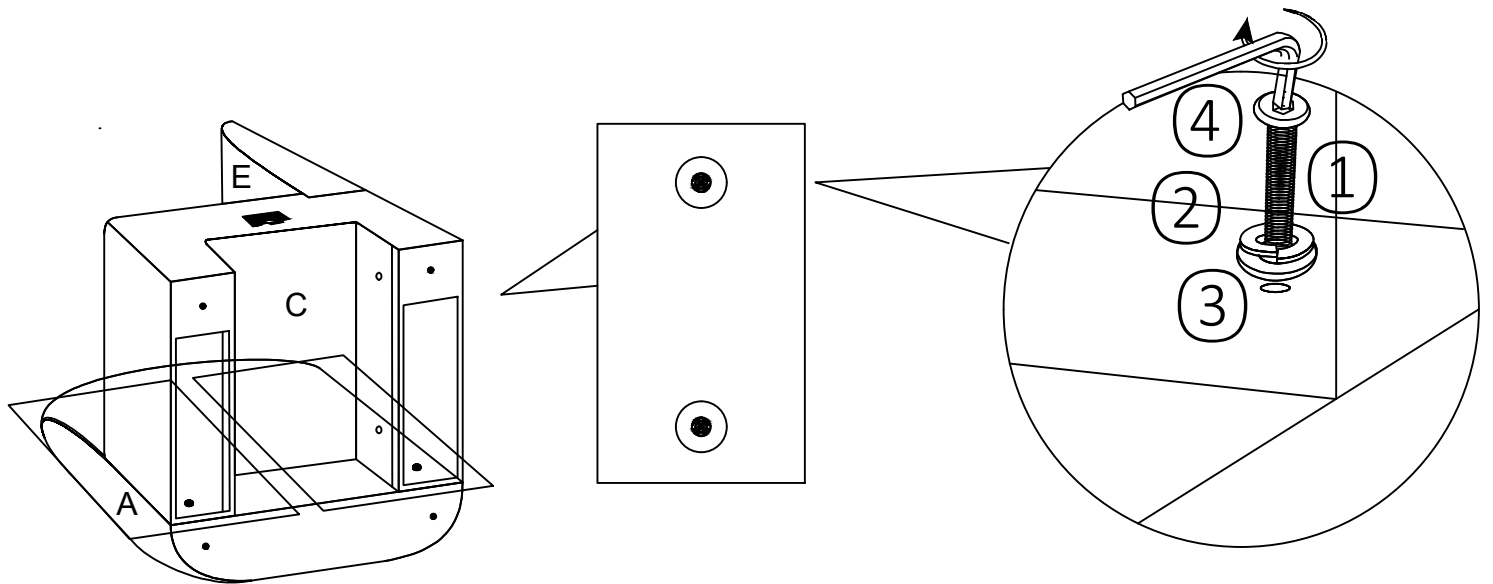
Place the bottom right frame (D) vertically on the ground, place the backrest (E) against its front groove, and then fix them together with long screws (①), spring washers (②), and washers (③) as shown in the figure. Repeat the process in the same way for the left side (C, E).

Step 3:



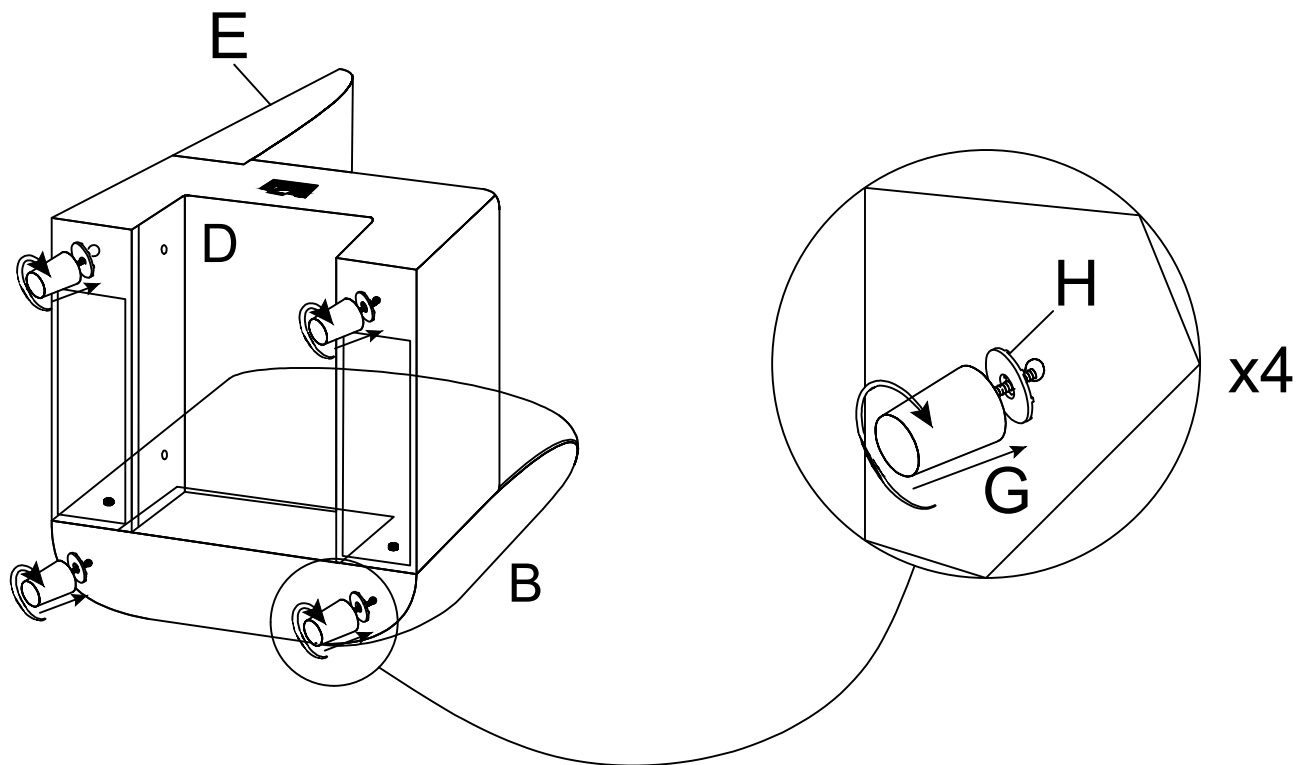
Then place the right armrest (B) flat on the ground, flip the right frame (D) to the right, so that the right frame is on top of the right armrest (B). Use long screws (①), spring washers (②), and gasket (③) to fix them

Step 4:



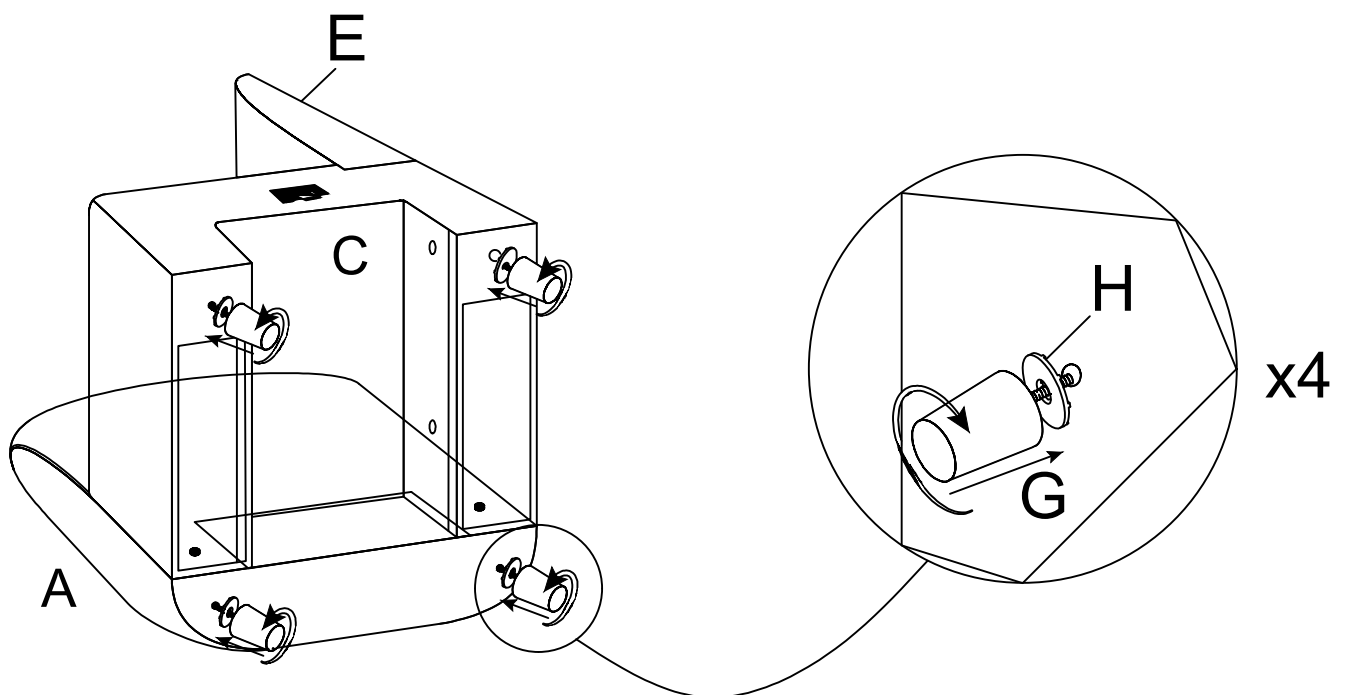
Then place the left armrest (A) flat on the ground, flip the left frame (C) to the left, so that the left frame is on top of the left armrest (A). Use long screws (①), spring washers (②), and gasket (③) to fix them

Step 5:



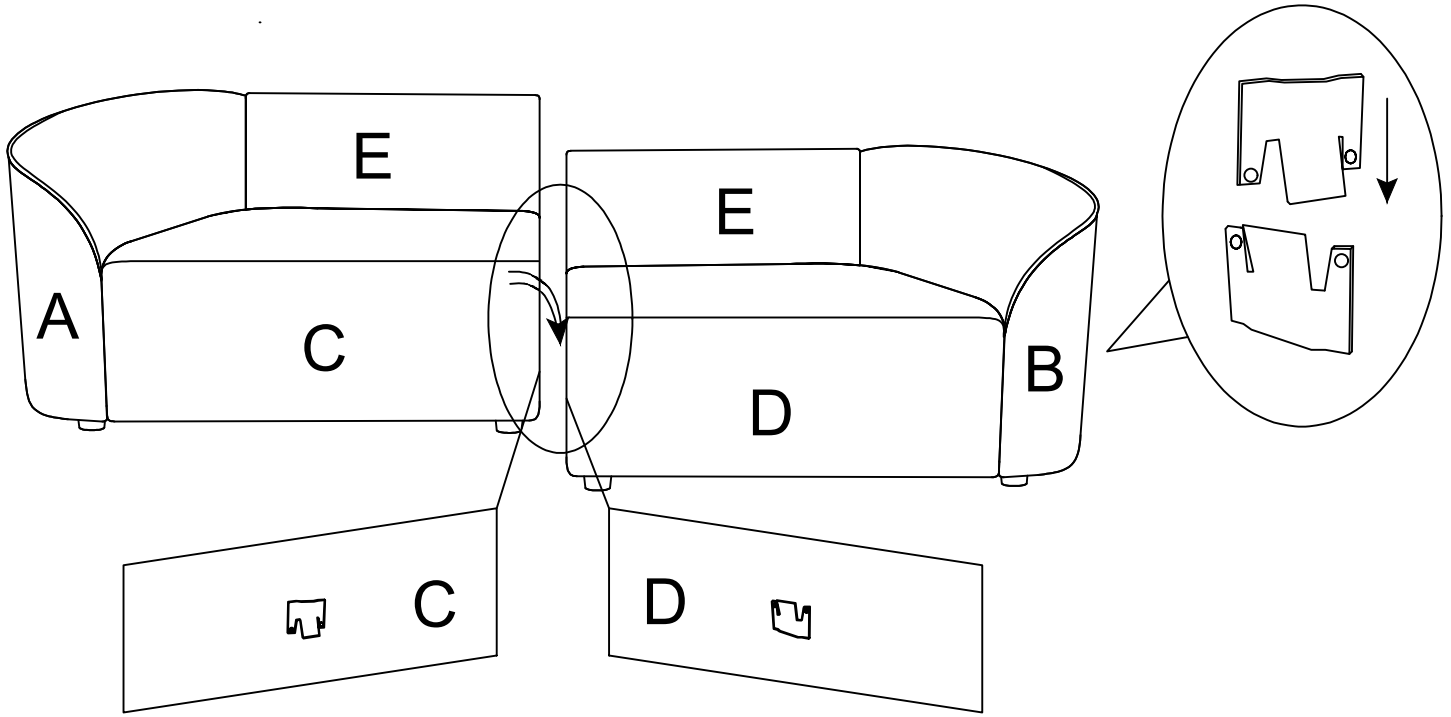
Install the sofa leg(G)+(H) in the hole of the armrest(B) and bottom frame(D).

Step 6:



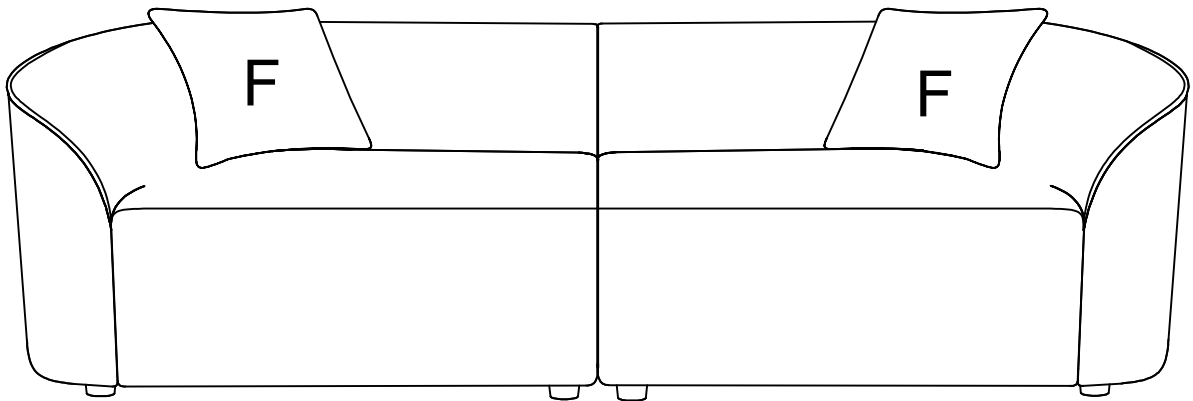
Install the sofa leg(G)+(H) in the hole of the armrest(A) and bottom frame(C).

Step 7:



Use the hardware connector on the side of the bottom frame (C,D) to connect the right part and the left part together, as shown in the figure.

Step 8:



Place the pillow(F) in front of the backrest.