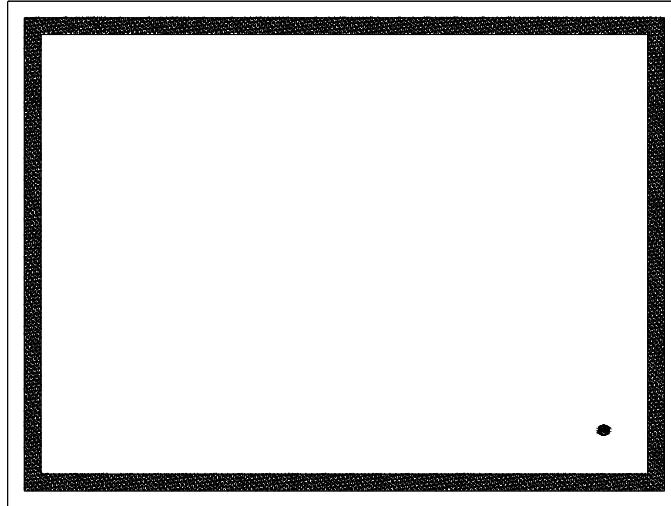


LED Lighted Mirror # MIR4802RT-W3C

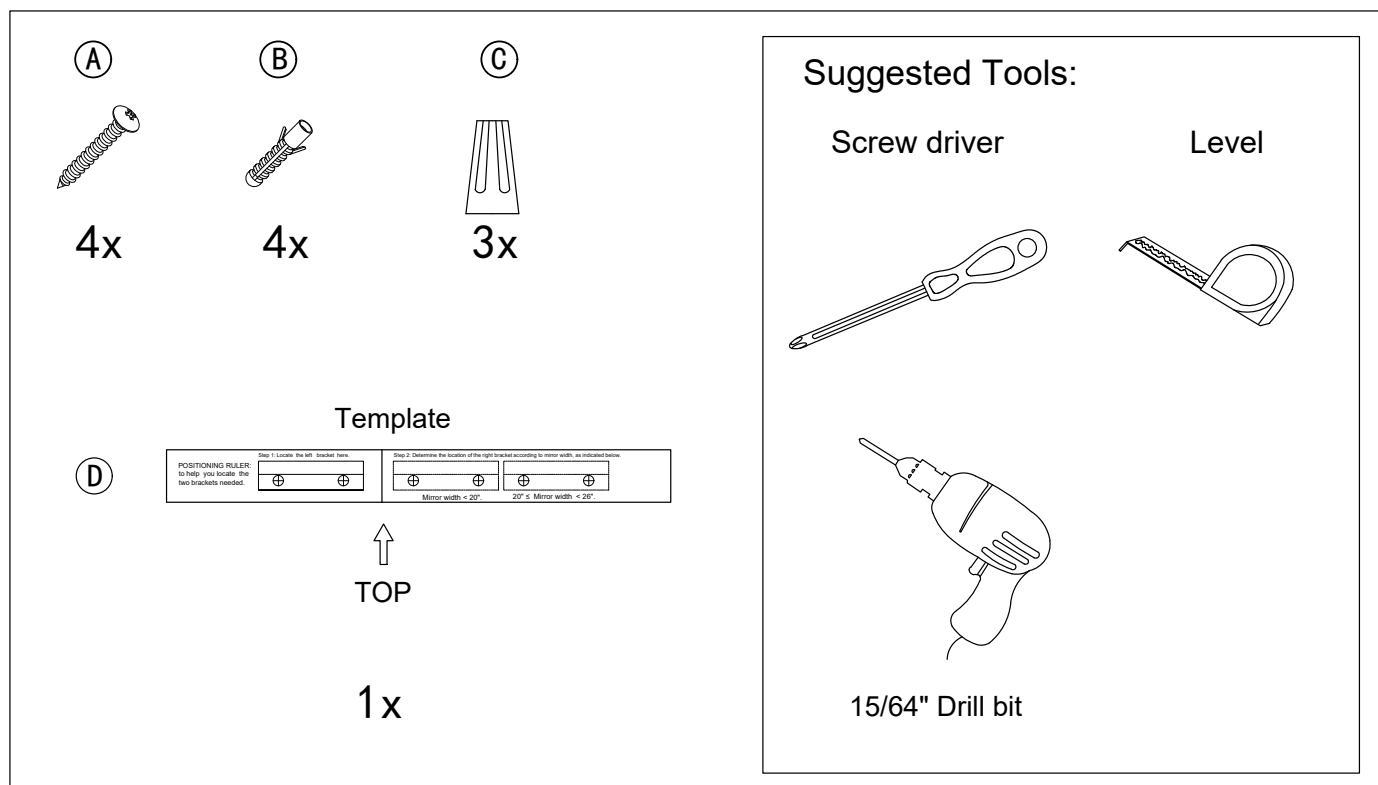


IMPORTANT SAFETY INSTRUCTIONS

- Attention to installer, must test the light fixture before installation.
- When using an electrical fixture, basic precautions should always be followed, including the following:
- Read all instructions before using (this fixture).
- ⚠ **DANGER** - To reduce the risk of electric shock: Always unplug this fixture from the electrical outlet before cleaning or servicing.
- ⚠ **WARNING** - To reduce the risk of burns, fire, electric shock, or injury to persons:
 - Unplug from outlet before putting on or taking off parts.
 - Close supervision is necessary when this fixture is used by, or near children, invalids, or disabled persons.
 - Use this fixture only for its intended use as described in these instructions. Do not use attachments not recommended by the manufacturer.
 - Never operate this fixture if it has a damaged cord or plug, if it is not working properly, if it has been dropped or damaged, or dropped into water. Return the fixture to a service center for examination and repair.
- Keep the cord away from heated surfaces.
- Never operate the fixture with the air openings blocked. Keep the air openings free of lint, hair, and the like.
- Never drop or insert any object into any opening.
- Do not operate where aerosol (spray) products are being used or where oxygen is being administered.
- To disconnect, turn all controls to the off position, then remove plug from outlet.
- ⚠ **WARNING:** Risk of Injury - Keep children away from this fixture.
- ⚠ **WARNING:** Risk of Electric Shock - Connect this fixture to a properly grounded outlet only. See Grounding Instructions.
- **GROUNDING INSTRUCTIONS:**
 - For a permanently connected fixture: This fixture must be connected to a grounded metal, permanent wiring system, or an equipment-grounding conductor must be run with the circuit conductors and connected to the equipment-grounding terminal or lead on the product.
 - For a grounded, cord-connected product rated max 15 amperes and intended for use on a nominal 120-volt supply circuit :
 - This fixture is for use on a nominal 120-volt circuit and has a grounding plug. Make sure that the product is connected to an outlet having the same configuration as the plug. No adapter should be used with this product.
- For loading always put heavier items at the bottom and not near the top in order to help prevent the possibility of the fixture tipping over.
- ⚠ **WARNING:** Risk of Injury to Persons - do not use this fixture to support video equipment such as televisions or computer monitors.
- Mount fixtures at the correct height.
- This fixture is suitable for installation in a damp, indoor location only.
- This fixture is to be mounted to a metal electrical junction box (outlet box) directly supported by the building structure.
- Save this instructions for future reference.
- Estimated Assembly Time: 20 minutes
- Tools Required For Assembly (not included): Flathead screwdriver, Phillips screwdriver, Pliers, Electrical tape and Wire cutters.
- Helpful Tools (not included): Wire strippers, Ladder,Level.

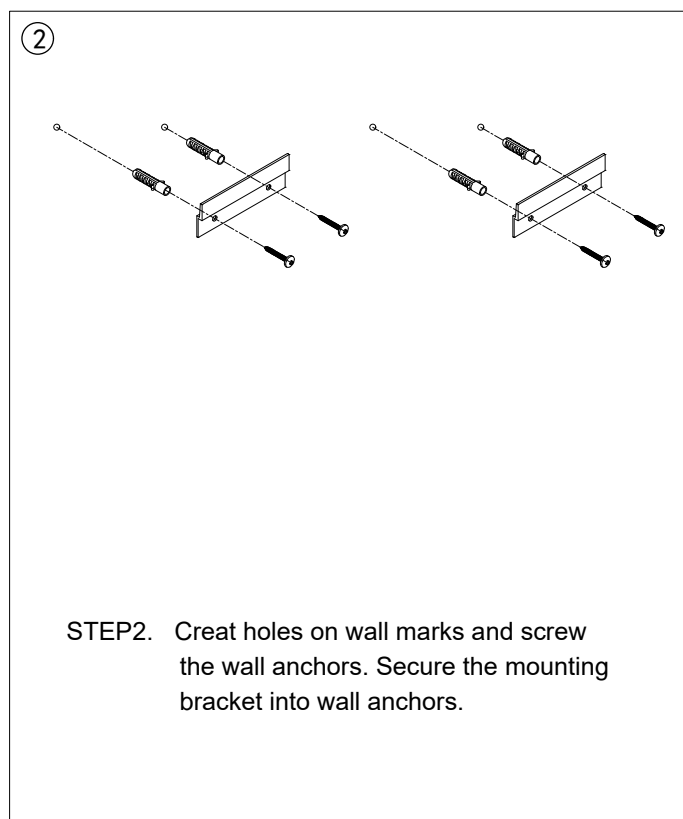
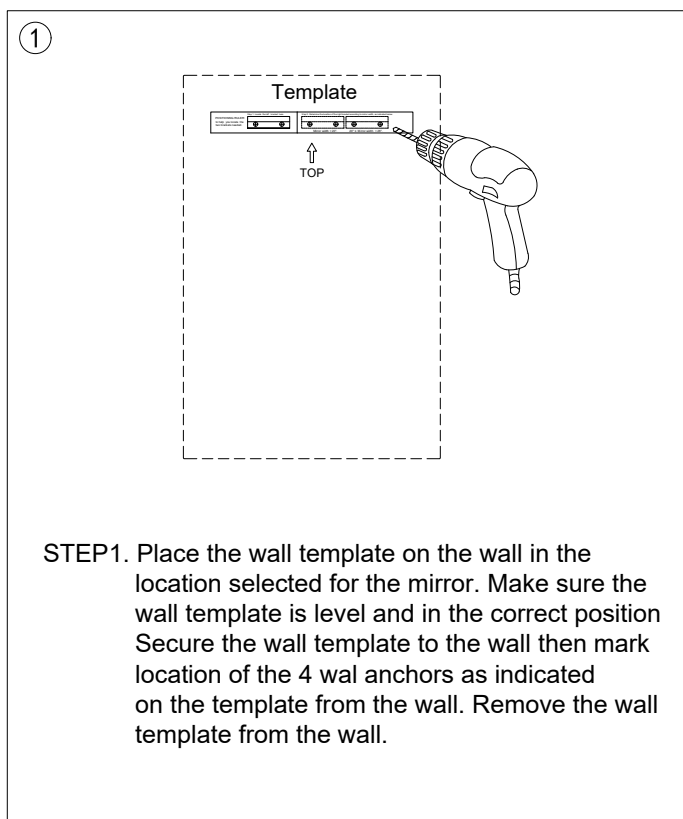
CRAFTMADE™

HARDWARE INCLUDED



USER INSTRUCTION

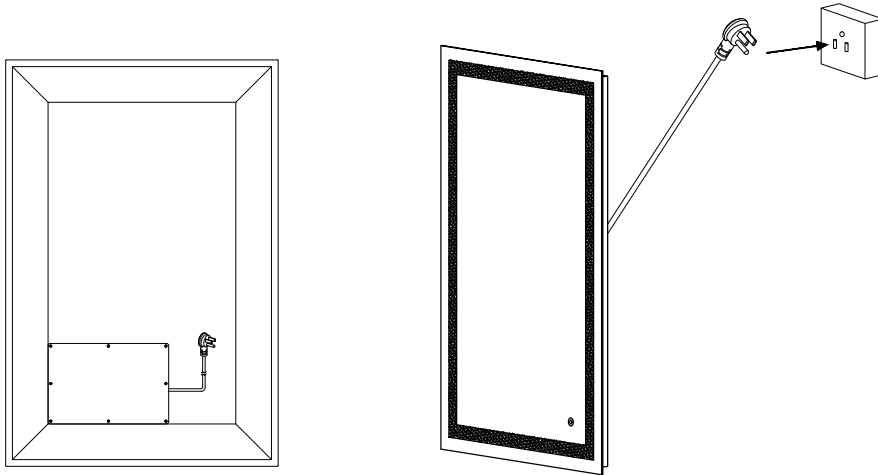
Please read all instructions carefully. Before you proceed to install, make sure that the power supply is turned off and remains off until installation is complete.



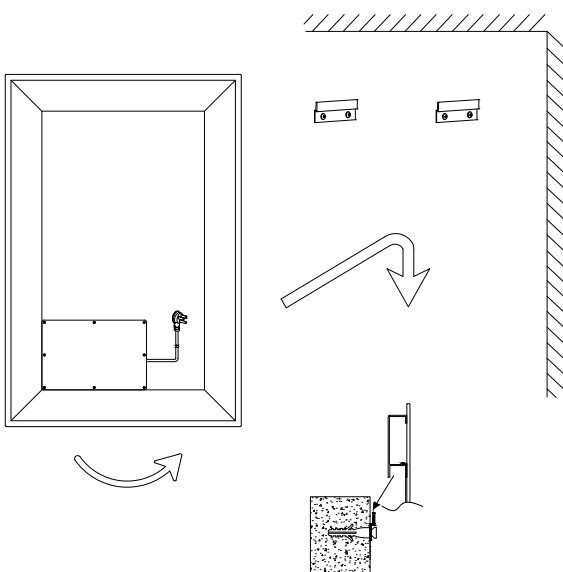
CRAFTMADE™

Please read all instructions carefully. Before you proceed to install, make sure that the power supply is turned off and remains off until installation is complete.

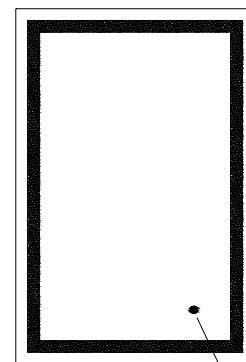
③ STEP3. Direct wire



④ STEP4. Hang up the Mirror on the wall



⑤

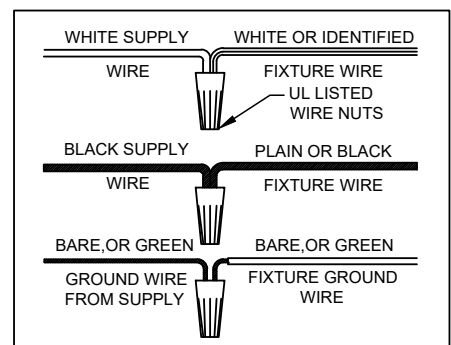
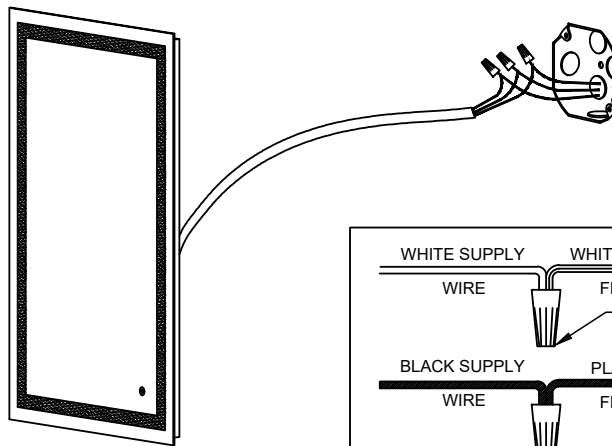
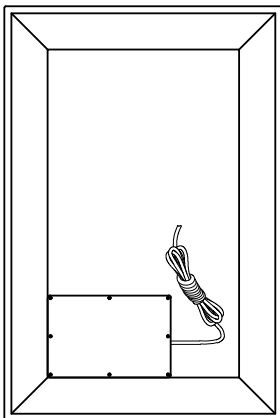
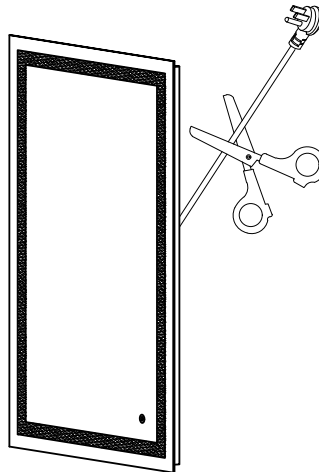
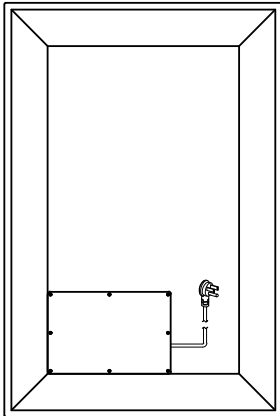


ON/OFF/DIMMING
3000K/4000K/5000K
Color temp.select
Longer finger press for
tuning brightness.

DIMMING:
This LED fixture is not compatible with wall dimmer switches. Light output can only be adjusted by using the touch dimming switch on mirror.

CRAFTMADE™

Or Direct wire



CRAFTMADE™

Craftmade Lighting Limited Warranty for Mirrors

All products are designed to be sold in North America with 120 Volt / 60Hz electric grid.

Craftmade warrants all its Products to be free from defects in material and workmanship, subject to certain conditions and exclusions, for period of one year from the date the Product was shipped to the original end use purchaser. LED product is warranted for a period of 3 years from the date purchased or shipped to the original end use purchaser. Craftmade will warrant its product only if it is sold through an authorized Craftmade dealer.

Craftmade will, at its discretion, repair, replace or make appropriate adjustment where inspection discloses any defects occurring in normal usage within the applicable time period above, subject to the following conditions and exclusions.

The following costs, expenses and damages are not covered by the provisions of this limited warranty: (1.) labor costs including, but not limited to, costs associated with the removal and reinstallation of Product; (2.) shipping and freight expenses required to return Product to Craftmade.

All warranties only apply to the original end use purchaser and original installation of Products. **This warranty is not transferable.** The provisions of this warranty do not apply to products that are used in commercial applications; used for purposes for which they are not designed or intended; which have been subjected to alteration, accidental damage, abuse, misuse, negligence or accident; which have been improperly stored, installed, maintained or operated; which have been used in violation of written instructions provided by Craftmade; which have been subjected to improper temperature, humidity or other environmental conditions; or which, based on examination by Craftmade, do not disclose to the satisfaction of Craftmade non-conformance to the warranty. Additionally, this warranty **DOES NOT COVER** scratches, abrasions, or deterioration due to the use of paints, solvents, chemicals or abrasive cleaning techniques.

The above warranties also do not apply if:

The original bill of sale, delivery date, or product number cannot be verified.

The parts claimed to be defective are not returned for inspection if so requested by Craftmade.

The product is not in the possession of the original end use purchaser at the time warranty claim is made.

To obtain Warranty Service, please contact Craftmade through your Lighting Dealer, Lighting Contractor, or by writing Craftmade

Attn: Customer Service Department, 3901 S. 20th Avenue DFW Airport, TX 75261, or by calling 800.486.4892

Warranty Exclusions:

We use the best weather resistant finishes, nevertheless finishes for fixtures installed outdoors are subject to change due to prolonged exposure to sunlight, pollutants and other environmental conditions. Any claim for fading, discoloration or "patina" of a finish on an outdoor fixture is not applicable to the above warranty. See the "Finish Care & Cleaning" instructions below for proper care and maintenance of your fixture.

The environment within ten miles of a sea coast can be extremely corrosive. Even with the appropriate maintenance, products installed in this environment will typically deteriorate more than products installed in a less severe environment. Some corrosion and/or deterioration is considered "normal wear" in this environment. Any claim for finish failures or for corrosion of other components due to coastal environment conditions is not applicable to the above warranty.

We cannot warranty our Direct Burial Poles due to environmental issues such as moisture, soil acidity and other corrosive soil and air conditions.

At Craftmade we try our best to assure that glass and metal finishes shown in our catalogs match the actual product, but chemical finish variations and hand applied finishes can result in differences between the actual product and printed images. Craftmade does not authorize any person to create for it any obligation or liability in connection with its Products. The maximum liability is limited to the original purchase price of the product. No action arising out of any claimed breach of this warranty by Craftmade may be brought by the Original User more than one (1) year after the cause of action has arisen.

IMPLIED WARRANTIES INCLUDING THAT OF MERCHANTABILITY AND FITNESS FOR A PARTICULAR PURPOSE ARE EXPRESSLY LIMITED TO THE DURATION OF THIS WARRANTY. CRAFTMADE AND/OR SELLER DISCLAIMS ANY LIABILITY FOR SPECIAL, INCIDENTAL OR CONSEQUENTIAL DAMAGES.

This warranty gives you specific legal rights, and you may also have other rights which vary from state to state. Some states do not allow limitations on incidental or consequential damages or how long an implied warranty lasts, so that the above limitations may not fully apply to you. Refer to your local laws for your specific rights under this warranty.

CARE & CLEANING:

- To avoid electrical hazards, unplug before cleaning.
- Clean only the glass and frame—do **NOT** touch electrical components.
- Ensure the mirror is completely dry before reconnecting power.
- Use a soft, dry, lint-free cloth for routine cleaning.
- If needed, lightly dampen the cloth with water or a mild glass cleaner.
- **NEVER** spray cleaner directly on the mirror— apply it to the cloth first.

AVOID:

- Harsh chemicals (such as ammonia, bleach, vinegar)
- Abrasive pads or rough cloths
- Excess moisture near the mirror edges (to prevent "black edge" damage).

CRAFTMADE™

Garantía Limitada de Craftmade para espejos

Todos los productos están diseñados para su venta en Norteamérica con una red eléctrica de 120 voltios / 60 Hz.

Craftmade garantiza todos sus Productos libres de defectos en materiales y fabricación, sujeto a ciertas condiciones y exclusiones, por un periodo de un año desde la fecha del envío del producto al comprador usuario original. Productos LED son garantizados por un periodo de 3 años desde la fecha de compra o del envío al comprador usuario original. Craftmade garantizará su producto solo si es vendido a través de un distribuidor autorizado Craftmade.

A su discreción, Craftmade reparará, reemplazará o hará ajustes apropiados cuando la inspección revele cualquier defecto que ocurra en el uso normal dentro del período de tiempo aplicable mencionado anteriormente, sujeto a las siguientes condiciones y exclusiones.

Los siguientes costos, desembolsos y perjuicios no están cubiertos por esta garantía limitada: (1.) costos laborales, incluyendo, pero no limitado a, costos asociados con quitar y reinstalar el Producto; (2.) gastos de envío y flete necesarios para devolver el Producto a Craftmade. Todas las garantías aplican solamente para el comprador usuario original y la instalación original de los Productos. **Esta garantía no es transferible.** Las cláusulas de esta garantía no aplican a productos que hayan sido destinados para uso comercial, usados con propósitos para lo que no están diseñados o destinados; que hayan sido sometidos a alteraciones, daño accidental, abuso, uso indebido, negligencia o accidente; que hayan sido almacenados, instalados, mantenidos u operados inapropiadamente; que hayan sido utilizados violando las instrucciones escritas proporcionadas por Craftmade; que hayan sido sujetos a temperaturas, humedad u otras condiciones ambientales inapropiadas; o que, basados en la revisión hecha por Craftmade, no revele a satisfacción de Craftmade conformidad con la garantía. Asimismo, esta garantía **NO CUBRE** rayones, abrasión, o deterioro debido al uso de pinturas, disolventes, químicos o técnicas de limpieza abrasivas.

Las garantías anteriores tampoco aplican si:

La factura original de venta, fecha de entrega, o el número del producto no pueden ser verificados.

Las partes consideradas defectuosas no se devuelven para su inspección si así lo solicita Craftmade.

El producto no está en posesión del comprador usuario original al momento de hacer el reclamo.

Para obtener Servicio de Garantía, por favor contacte a Craftmade a través de su Distribuidor de Iluminación, su Contratista de Iluminación o escribiendo a Craftmade,

At: Departamento de Servicio al Cliente, 3901 S. 20th Avenue, DFW Airport, TX 75261, o llamando al 800.486.4892.

Exclusiones de la Garantía:

usamos los mejores acabados resistentes a la intemperie, sin embargo, los acabados de lámparas instaladas en exteriores están sujetos a cambios debido a la exposición prolongada a la luz solar, contaminantes y otras condiciones ambientales. Cualquier reclamo por desvanecimiento, decoloración o "pátina" de un acabado en una lámpara para exteriores no es aplicable a la garantía anterior. Consulte las instrucciones de "Cuidado y limpieza de acabado" a continuación para obtener el cuidado y mantenimiento adecuados de su lámpara.

El medio ambiente dentro de diez millas de la costa del mar puede ser extremadamente corrosivo. Incluso con un mantenimiento adecuado, los productos instalados en este ambiente típicamente se deteriorarán más que los productos instalados en un entorno menos severo. Cierta corrosión y/o deterioro se considera "desgaste normal" en este ambiente. Cualquier reclamo por fallas de acabado o corrosión de otros componentes debido a condiciones del ambiente costero no aplica a la garantía anterior.

No podemos garantizar nuestros Báculos de anclaje sobre el suelo debido a problemas ambientales tales como humedad, acidez del suelo y otras condiciones corrosivas del suelo y del aire.

En Craftmade hacemos un gran esfuerzo para garantizar que los acabados de vidrio y metal que se muestran en nuestros catálogos coincidan con el producto real, pero las variaciones de acabado químico y acabados aplicados a mano pueden dar lugar a diferencias entre el producto real y las imágenes impresas.

Craftmade no autoriza a ninguna persona a crear obligación o responsabilidad en relación con sus Productos. La responsabilidad máxima está limitada al precio de compra original del producto. El Usuario original no podrá presentar ninguna demanda de incumplimiento de esta garantía por Craftmade, más de un (1) año después que la causa de la demanda ha surgido.

LAS GARANTÍAS IMPLÍCITAS, INCLUIDAS LAS DE COMERCIALIZACIÓN E IDONEIDAD DE UN FIN EN PARTICULAR, ESTÁN EXPRESAMENTE LIMITADAS A LA DURACIÓN DE ESTA GARANTÍA. CRAFTMADE Y/O EL VENDEDOR RECHAZAN CUALQUIER RESPONSABILIDAD POR DAÑOS ESPECIALES, INCIDENTALES O EMERGENTES.

Esta garantía le otorga derechos legales específicos y usted puede tener también otros derechos, que varían de estado a estado. Algunos estados no permiten limitaciones en daños incidentales o consecuentes, o cuanto dura una garantía, por lo tanto las limitaciones anteriores pueden no aplicar totalmente a usted. Consulte sus leyes locales para conocer sus derechos específicos bajo

CUIDADO & LIMPIEZA:

- Para evitar daños eléctricos, desenchufe el espejo antes de limpiarlo.
- Limpie solo el vidrio y el marco—**NO** toque los componentes eléctricos.
- Asegúrese de que el espejo esté completamente seco antes de volver a conectarlo a la corriente.
- Use un paño suave, seco y sin pelusa para la limpieza rutinaria.
- Si es necesario, humedezca ligeramente el paño con agua o un limpiador suave para vidrio.
- **NUNCA** rocíe el limpiador directamente sobre el espejo— aplíquelo primero al paño.

EVITAR:

- Productos químicos agresivos (como amoníaco, cloro, vinagre)
- Estropajos abrasivos o paños ásperos
- El exceso de humedad cerca de los bordes del espejo (para evitar daños de "borde negro").