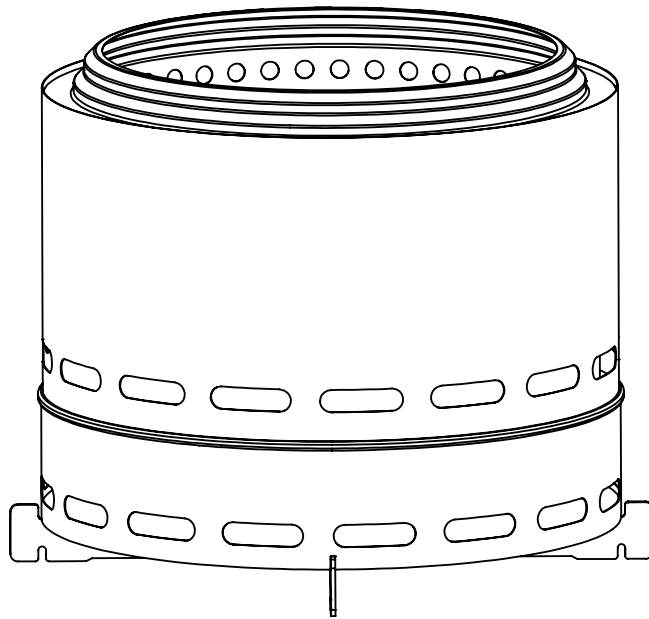


Smokeless Firepit

Instruction Manual

NV043-YX



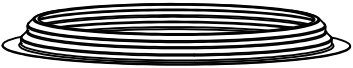
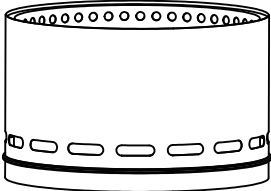


TEL: **(800)209.3199** (MON-FRI 9:00am-5:00pm Eastern Time)
Email: help@EverythingSupport.com

Table of Contents

Components.....	1
Assembly.....	2
Cleaning Steps.....	3
Important Safety Information.....	4
Operating Instructions.....	5

PARTS LIST

- Carefully remove all the parts from the carton and place them individually on a soft cloth to prevent scratches or other damage.
- Carefully and strictly follow these assembly&installation instructions to ensure a completed product as designed.

Component A Ring Qty 1	Component B Fire Bowl Qty 1	Component C Ashtray Qty 1
		
Component D Support Qty 1		
		

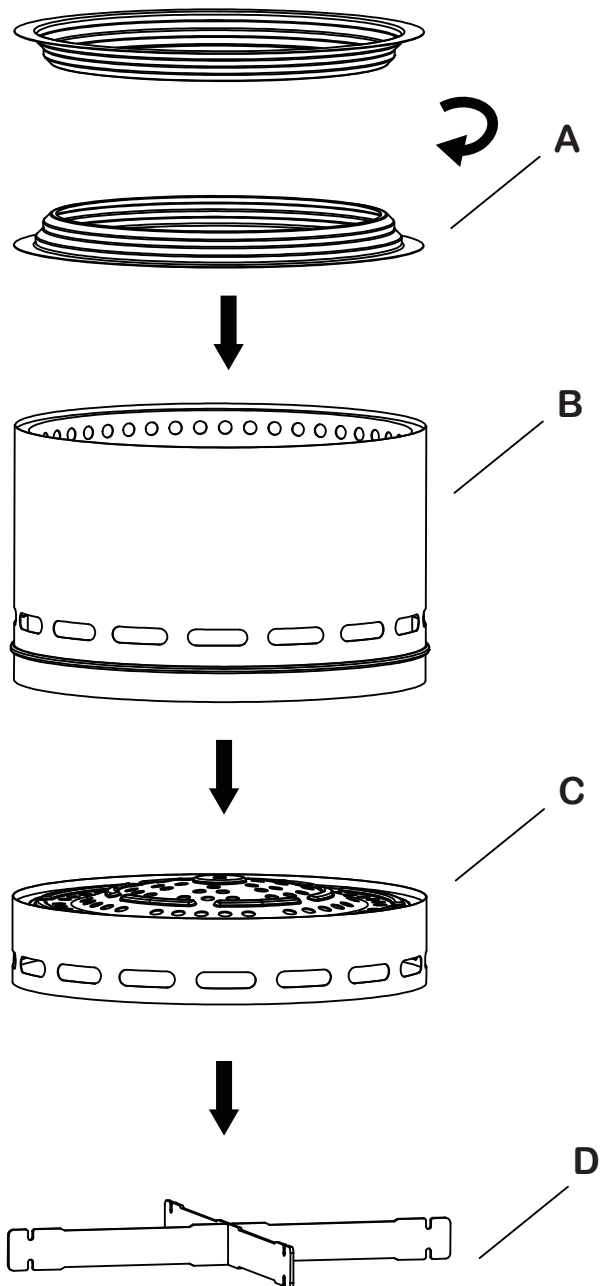
Smokeless Firepit ASSEMBLY

Flip the Ring (A).

Put the Ring (A) on the Fire Bowl (B).

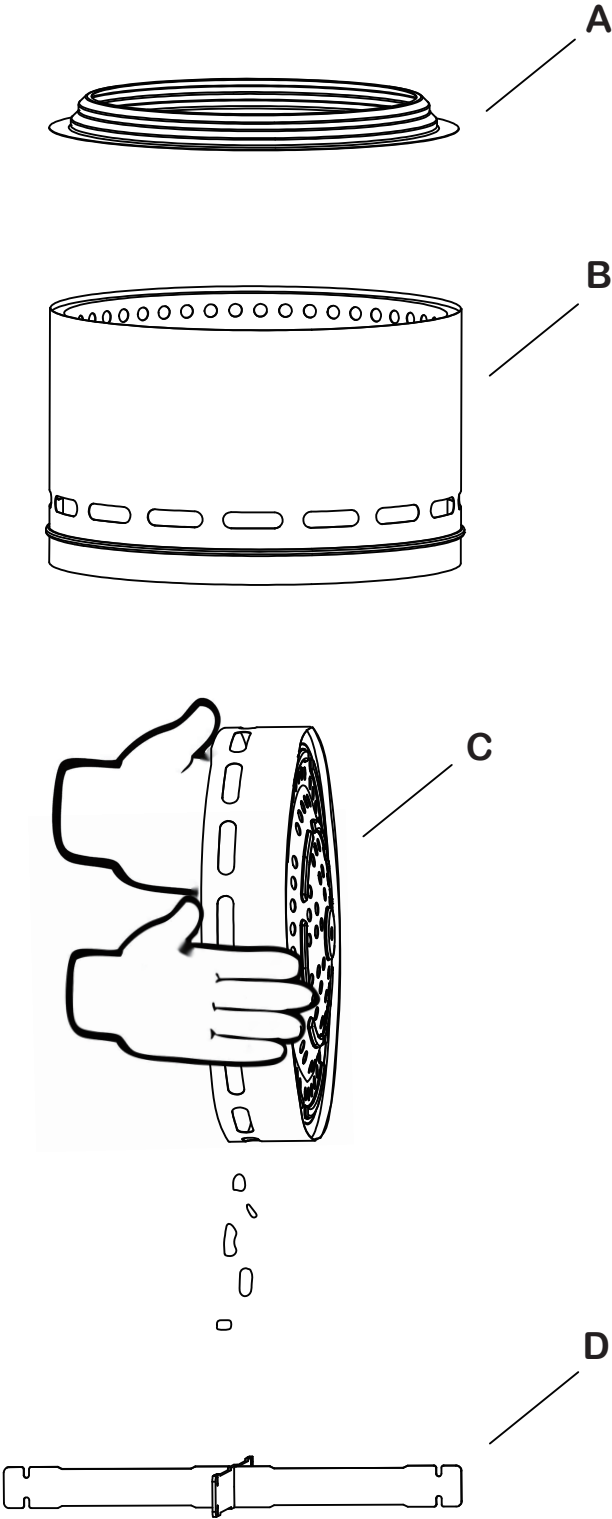
Put the Bowl (B) on the Fire Ashtray (C).

Put the Ashtray (C) on the Support (D).



Cleaning Steps

Separate (A), (B), (C) and (D),Tilt (C) so that ash impurities can be poured out of the air inlet



Important Safety Information

- Please read all instructions carefully before assembling this product.
- Where applicable, and for your safety, assembly by an adult is strongly recommended.



WARNING: For outdoor use only!
Never leave a fire unattended!



CAUTION: Burn only untreated wood, fire logs or wood pellets in this fire pit.



WARNING: Do not burn over 8 lb untreated wood or fire logs in this fire pit.



CAUTION: Do not use gasoline or kerosene to start the fire in this fire pit



WARNING: Never leave the burning fire bowl unattended, and always extinguish the fire completely.



CAUTION: Do not use this unit on a wood deck, long or dry grass and/or leaves, or on combustible surfaces.



WARNING: Do not allow children or pets near fire pit without supervision.



CAUTION: Do not attempt to move the fire pit while it is hot or in use.



WARNING: Do not touch the surface of the fire pit while in use as it may cause burns.



CAUTION: Adequate fire extinguishing material should be readily available.



WARNING: Never burn in vehicles, tents or indoors. CARBON MONOXIDE HAZARD.



CAUTION: Do not use this fire pit in windy conditions.



WARNING: Do not use water to extinguish the fire as this is dangerous and may cause damage to the fire pit.



CAUTION: Do not wear flammable or loose clothing during operating the fire pit.



WARNING: FUELS USED IN WOOD OR CHARCOAL BURNING APPLIANCES, AND THE PRODUCTS OF COMBUSTION OF SUCH FUELS, CAN EXPOSE YOU TO CHEMICALS INCLUDING CARBON BLACK, WHICH IS KNOWN TO THE STATE OF CALIFORNIA TO CAUSE CANCER, AND CARBON MONOXIDE, WHICH IS KNOWN TO THE STATE OF CALIFORNIA TO CAUSE BIRTH DEFECTS OR OTHER REPRODUCTIVE HARM. For more information go to: www.P65Warnings.ca.gov.

Assembly Instructions & User's Manual

Operating Instructions

Lighting

- Place a small amount of kindling or fire starter material in the center of the fire pit.
- Arrange fire wood properly. (Recommend using wood log size within Dia. 2 in x L9 in).
- Use a long match or stick lighter to light.
- Add additional logs as needed.
- Please wear heat-resistant gloves during use.



NOTE: When fire lit, there will be some smoke, which will decrease over time as the unit achieves full efficiency.

Making the fire pit less smoke

- Stack fire wood below the interior vent hole (Figure 1).
- Use dry fire wood.
- Create a hot fire.
- Use hardwoods like oak, maple, or hickory etc.
- Avoid burning trash or debris.
- Do not use in gusty weather.
- Build fire wood properly as below teepee and log cabin structure (Figure 2), leaving gaps between the logs for air circulation.

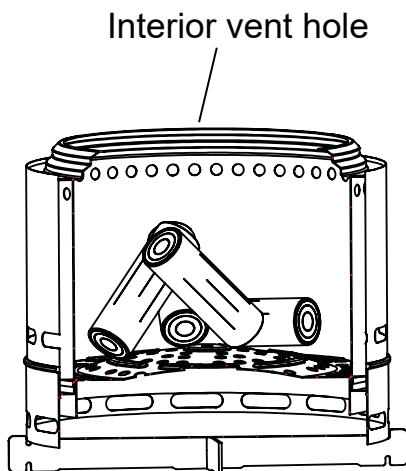
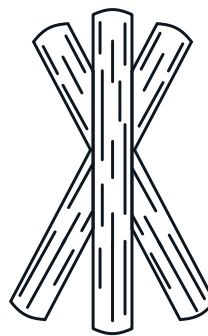
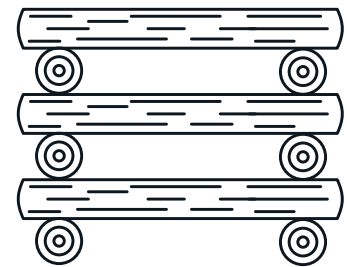


Figure 1



TEEPEE



LOG CABIN

Figure 2

Extinguishing the Fire

- Allow the fire to burn itself out.
- Except in the event of an emergency, do NOT use water to extinguish a fire as this is dangerous and can cause damage to the outdoor fire pit.

AFTER-SALES SERVICE CARD

We sincerely thank you for trusting our service and our products, and may this product add enrichment to your home. We guarantee that the product has undergone strict quality inspection and meticulous packaging. If you encounter any issue regarding either shipping or the product, please feel free to contact us at any time. We'd be more than happy to serve you wholeheartedly.

Yours Sincerely

***Customer Service:(800)209.3199(MON-FRI 9:00am-5:00pm
Eastern Time) or contact help@EverythingSupport.com***

Address: 3005 Breckinridge Blvd, Suite 200, Duluth, GA 30096

If you have any questions or concerns please feel free to contact us. We're committed to providing our customers with the quality service.