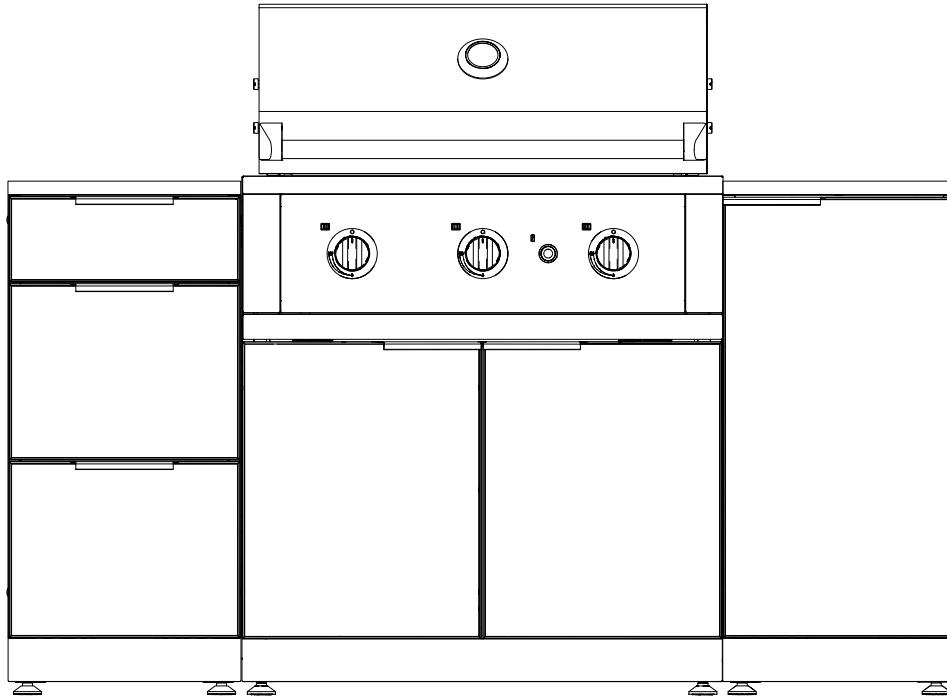


Classic Series 6 Pc Grill Island

INSTALLATION GUIDE



Warning: Excessive weight hazard!

Use two or more people to move, assemble, or install Cabinet to avoid back injury. Do not leave children unattended near the cabinets. High risk of tipping if cabinets are installed incorrectly. For assistance, call 1.877.306.8930; e-mail at info@newageproducts.com.

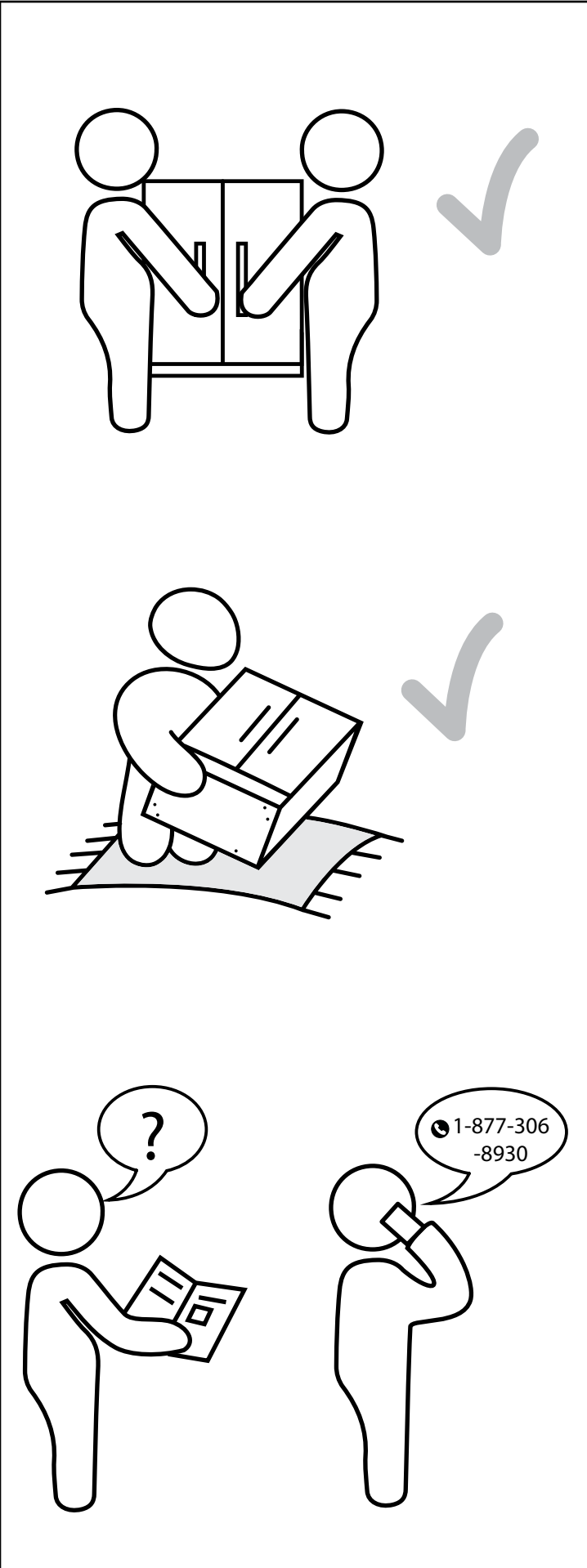


ATTENTION:

Is your Cabinet damaged?
Need help or spare parts? For fastest service, contact NewAge Products at 1-877-306-8930; or support@newageproducts.com. Do not return to the retailer.

Index

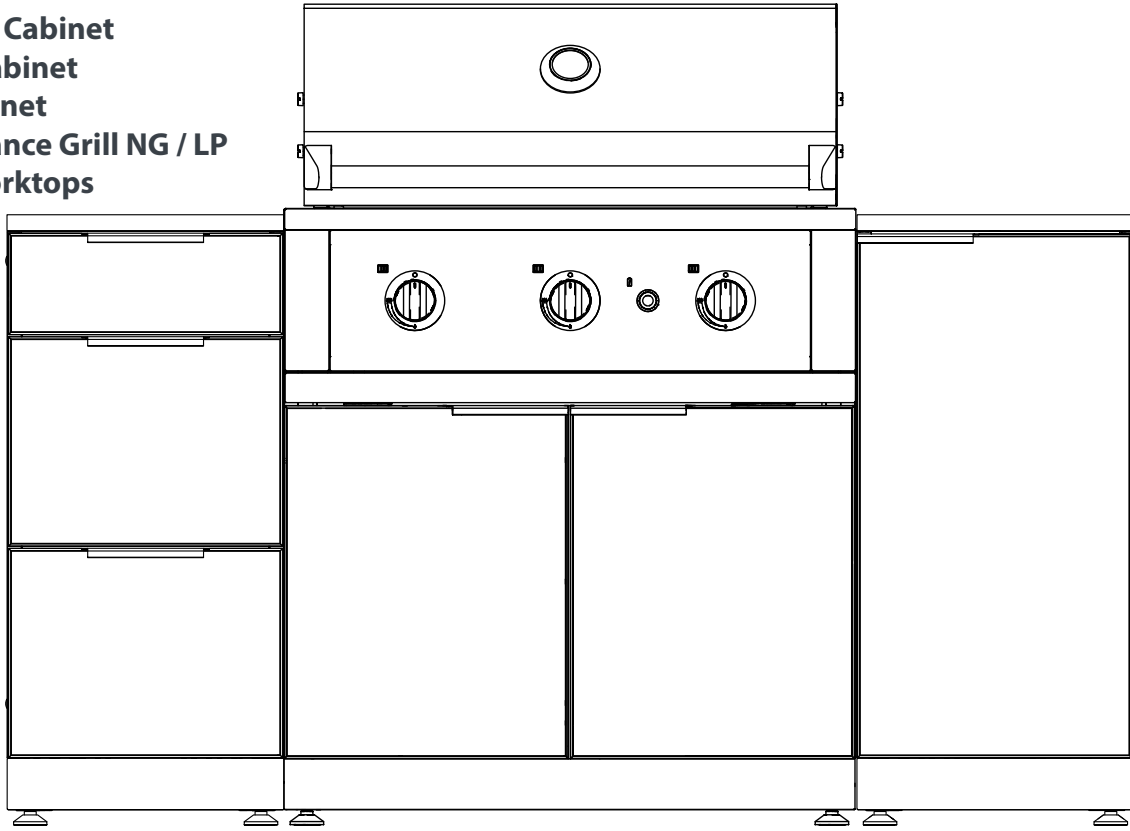
Unpacking	3
Product Inspection	3
Configurations	4
Weight Capacity	6
Tools Needed	7
Components For Assembled Cabinets	8
Installing Anti-Tipping Brackets	12
Installing the Legs	13
Installing/Removing the Drawers	14
Attaching the Cabinets	15
Adjusting the Door Hinges	16
Installing the Countertops	17
Inserting Cabinet Shelves	18
Installing NewAge Insert Grills	19
Installing Propane Tank	20
Installing Filler Brackets	21
Care and Maintenance	22
MANUFACTURER WARRANTY	23



Configurations

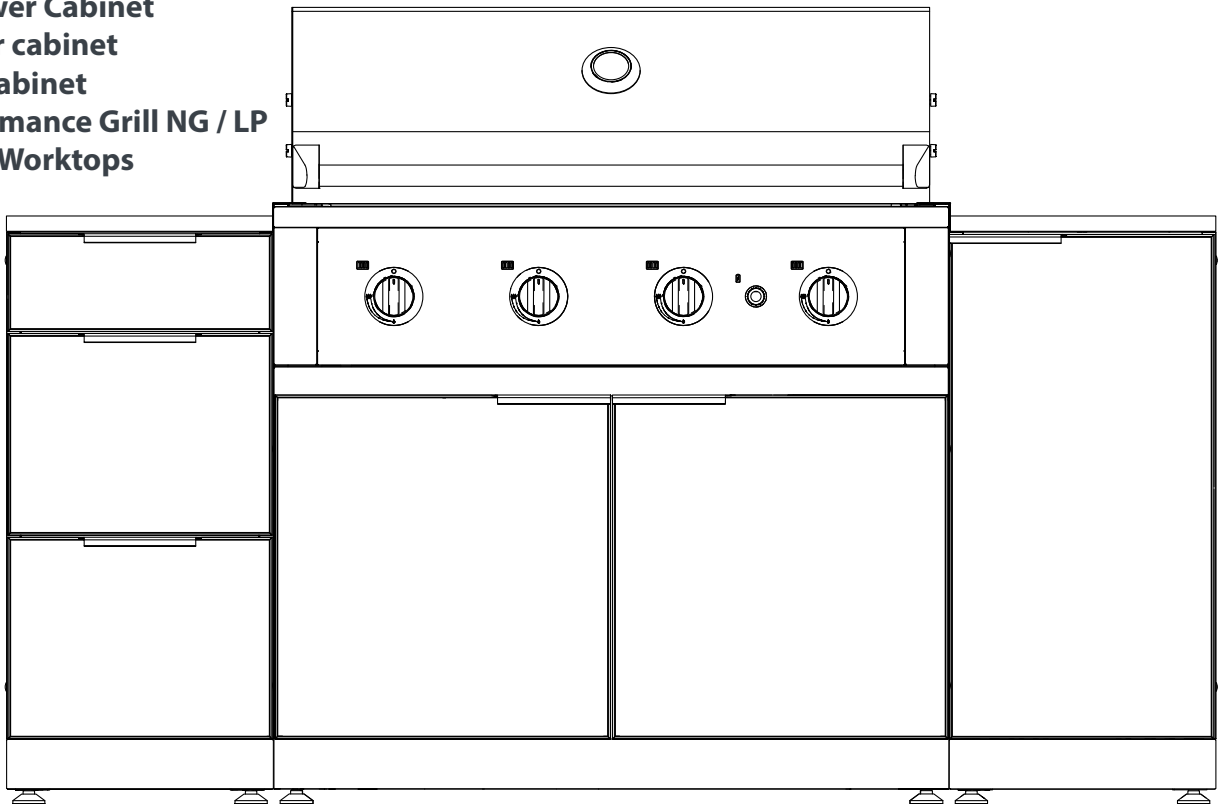
SKU# 68180 | SKU# 68181

- 16" 3 Drawer Cabinet
- 16" 1 Door cabinet
- 33" Grill Cabinet
- 33" Performance Grill NG / LP
- 2 x 16" SS Worktops



SKU# 68182 | SKU# 68183

- 16" 3 Drawer Cabinet
- 16" 1 Door cabinet
- 40" Grill Cabinet
- 40" Performance Grill NG / LP
- 2 x 16" SS Worktops



Configurations

SKU# 68184 | SKU# 68185

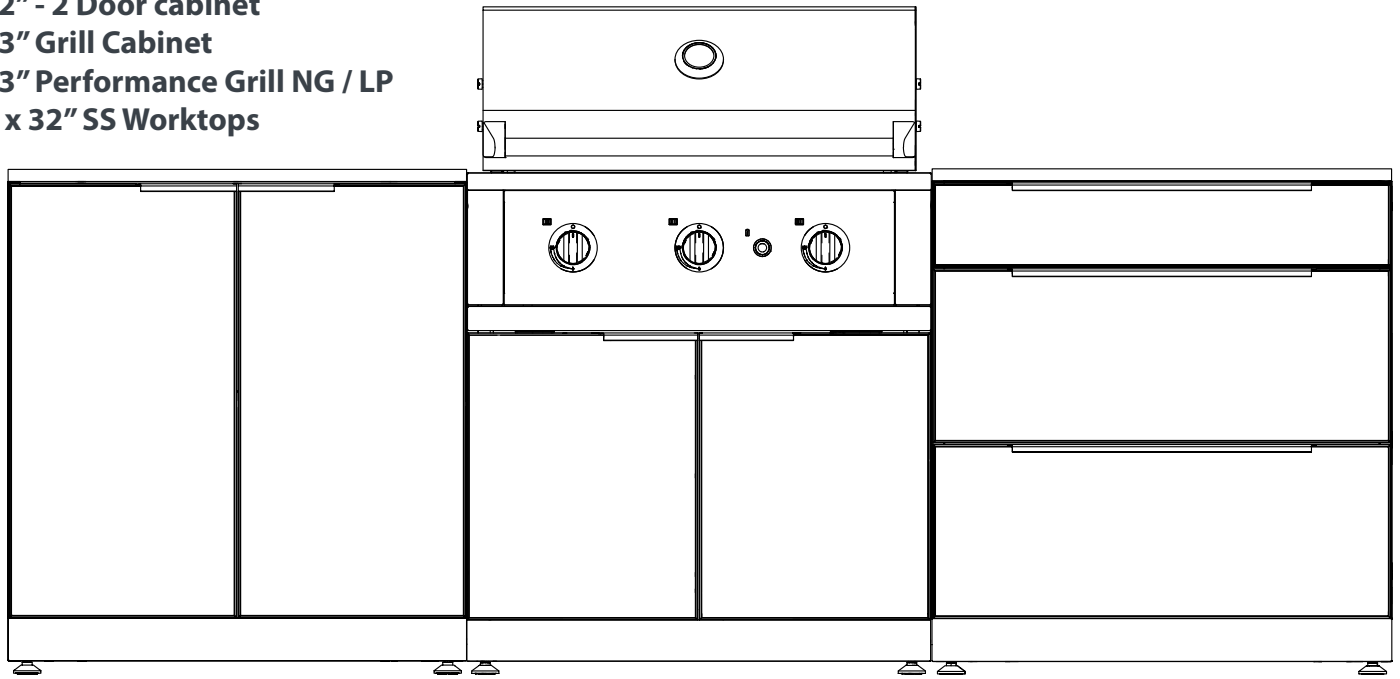
32" - 3 Drawer Cabinet

32" - 2 Door cabinet

33" Grill Cabinet

33" Performance Grill NG / LP

2 x 32" SS Worktops



SKU# 68186 | SKU# 68187

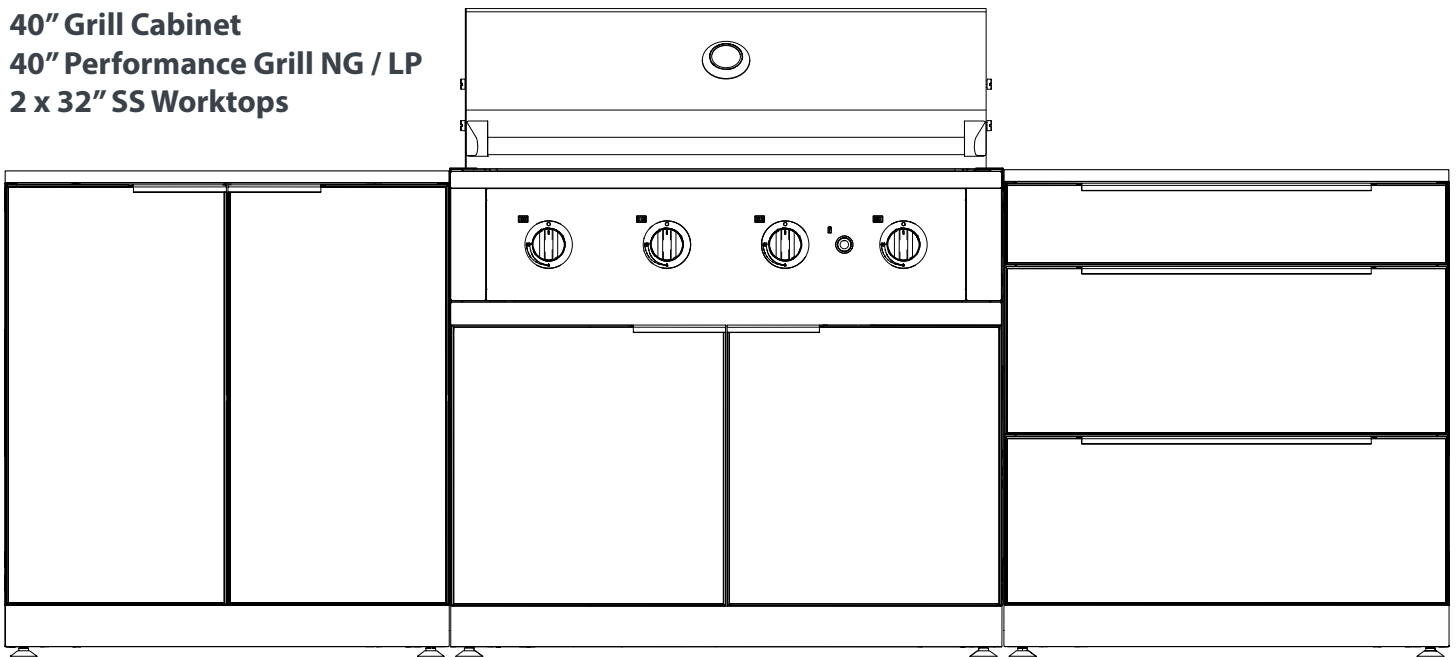
32" - 3 Drawer Cabinet

32" - 2 Door cabinet

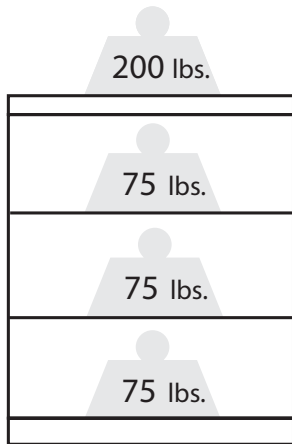
40" Grill Cabinet

40" Performance Grill NG / LP

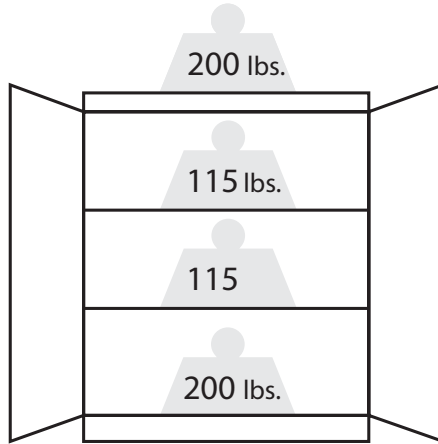
2 x 32" SS Worktops



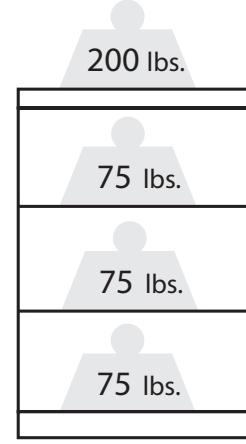
Weight Capacity



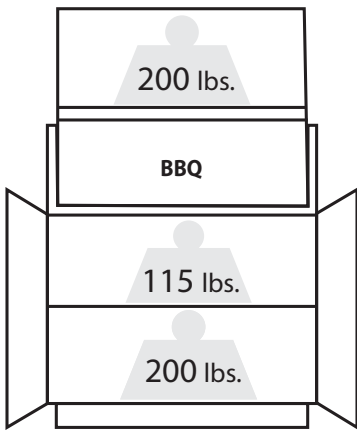
32" - 3 Drawer Cabinet
Max 425 lbs.



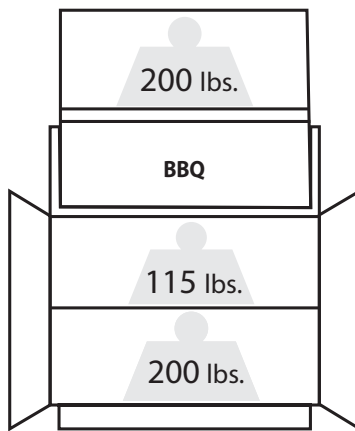
32" - 2 Door Cabinet
Max 630 lbs.



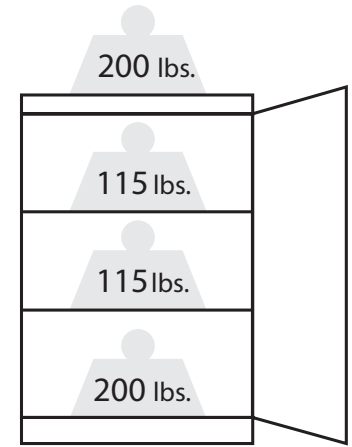
16" - 3 Drawer Cabinet
Max 425 lbs.



33" - GRILL
Max 515 lbs.

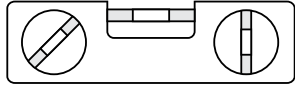


40" - GRILL
Max 515 lbs.



16" - 1 Door Cabinet
Max 630 lbs.

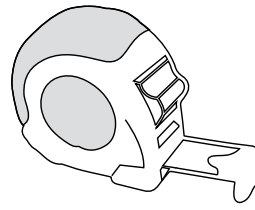
Tools Needed



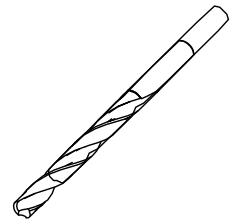
Level



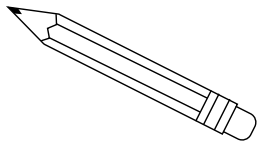
Power Drill



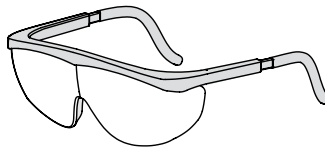
Tape Measure



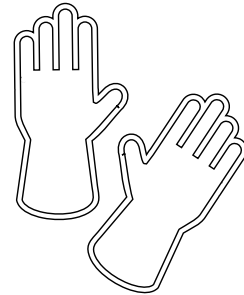
M3.5 drill bit



Pencil



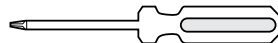
Safety Glasses



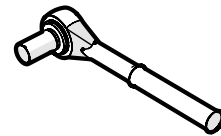
Hand Gloves



Adjustable wrench



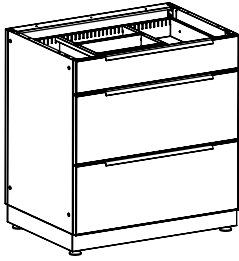
Phillips head screw driver



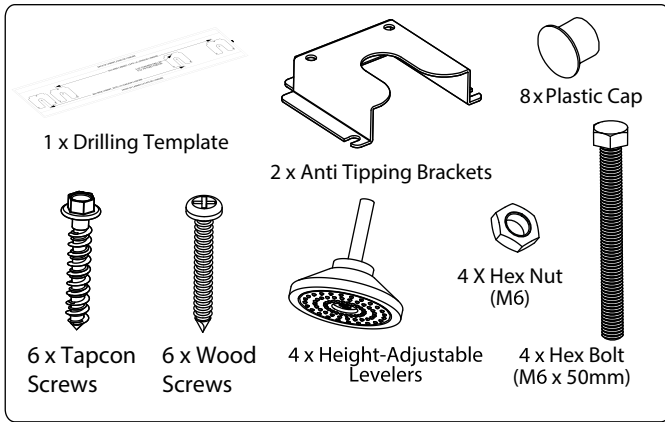
Socket wrench

Components For Assembled Cabinets

32" 3 - Drawer Cabinet

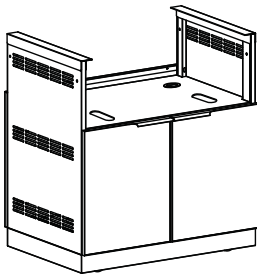


SKU# 70553

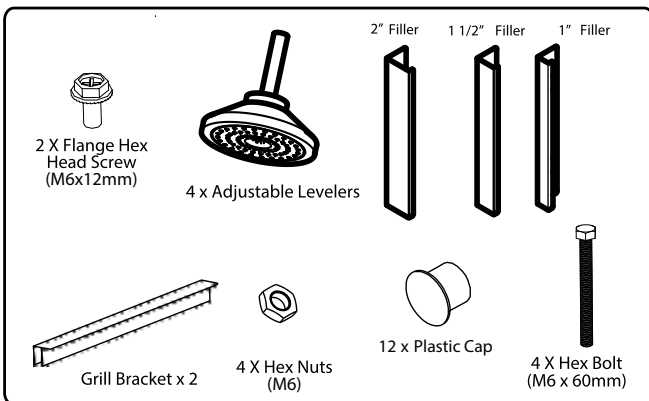


Components	Function	Engg part No	Qty
Cabinet Frame + Door	-		1
Hex Head Bolt (M6 X 50)	Connecting Cabinets	H00198A-01	4
Hex Nut (M6)	Connecting Cabinets	H00200A-01	4
Height-Adjustable Levelers	-	H00196A-01	4
Drilling Template	For Anti-Tipping Brackets	OKC1-09.007A-01	1
Wood Screws	For Anti-Tipping Brackets	H00232A-01	6
Tapcon Screws	For Anti-Tipping Brackets	H00231A-01	6
Anti-Tipping Brackets	-	OKC1-09.006A-01	2
OKC 1.0 Plastic Cap	-	H00210A-01	8

33" Insert Grill Cabinet



SKU# 70551



Components	Function	Engg part No	Qty
Cabinet Frame + Door	-		1
Hex Head Bolt (M6 X 60)	Connecting Cabinets	H00402A-01	4
Hex Nut (M6)	Connecting Cabinets	H00200A-01	4
Height-Adjustable Levelers	-	H00196A-01	4
Grill Bracket	-	OKC1-04.010A-01	2
Grill Inside Bracket	-	OKC1-04.011A-01	2
Hex Bolt M6 x 12mm	Connecting Grill Bracket	H00201A-01	4
OKC 1.0 Plastic Cap	-	H00210A-01	12
M6x12 Serrated-Flange Hex Head Screw	Installing Grill	H00532A-01	2
Filler Brackets	-	OKC1-04.013A-01 OKC1-04.014A-01 OKC1-04.015A-01	6

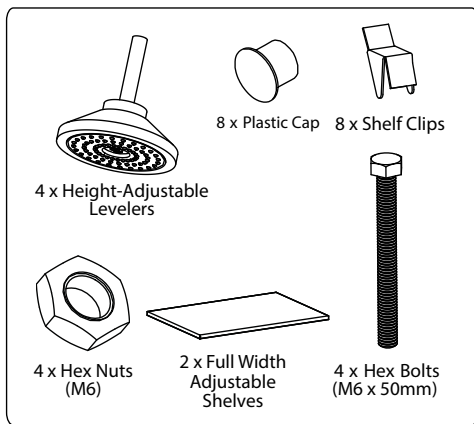
Components For Assembled Cabinets

32" 2 - Door Cabinet



SKU# 70554

Components	Function	Engg part No	Qty
Cabinet Frame + Door	-		1
Hex Head Bolt (M6 X 50)	Connecting Cabinets	H00198A-01	4
Hex Nut (M6)	Connecting Cabinets	H00200A-01	4
Height-Adjustable Levelers	-	H00196A-01	4
Shelf Clips	For Shelves	OKC1-07.007A-01	8
Shelf	-	OKC1-07.006A-01	2
OKC 1.0 Plastic Cap	-	H00210A-01	8

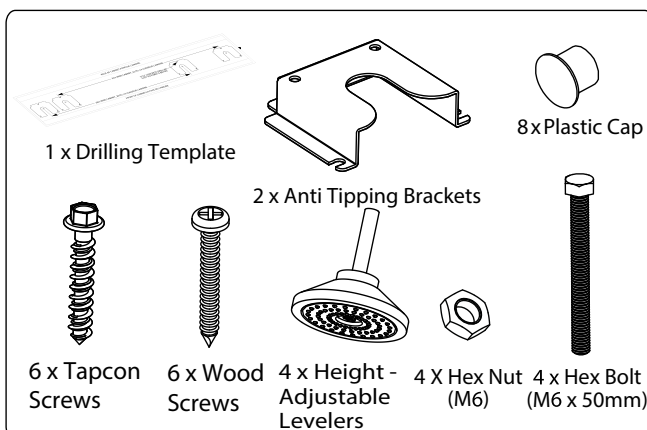


16" 3 - Drawer Cabinet



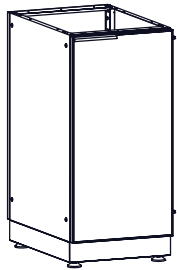
SKU#65593

Components	Function	Engg part No	Qty
Cabinet Frame + Door	-		1
Hex Head Bolt (M6 X 50)	Connecting Cabinets	H00198A-01	4
Hex Nut (M6)	Connecting Cabinets	H00200A-01	4
Height-Adjustable Levelers	-	H00196A-01	4
Drilling Template	For Anti-Tipping Brackets	OKC1-09.007A-01	1
Wood Screws	For Anti-Tipping Brackets	H00232A-01	6
Tapcon Screws	For Anti-Tipping Brackets	H00231A-01	6
Anti-Tipping Brackets	-	OKC1-09.006A-01	2
OKC 1.0 Plastic Cap	-	H00210A-01	8



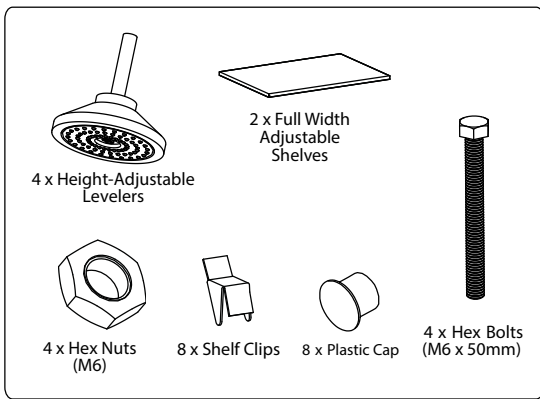
Components For Assembled Cabinets

16" 1 - Door Cabinet

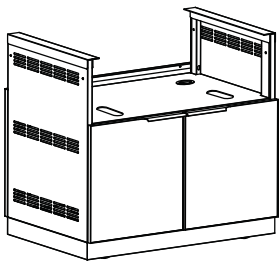


SKU#65592

Components	Function	Engg part No	Qty
Cabinet Frame + Door	-		1
Hex Head Bolt (M6 X 50)	Connecting Cabinets	H00198A-01	4
Hex Nut (M6)	Connecting Cabinets	H00200A-01	4
Height-Adjustable Levelers	-	H00196A-01	4
Shelf Clips	For Shelves	OKC1-07.007A-01	8
Shelf	-	OKC1-65.003A-01	2
OKC 1.0 Plastic Cap	-	H00210A-01	8

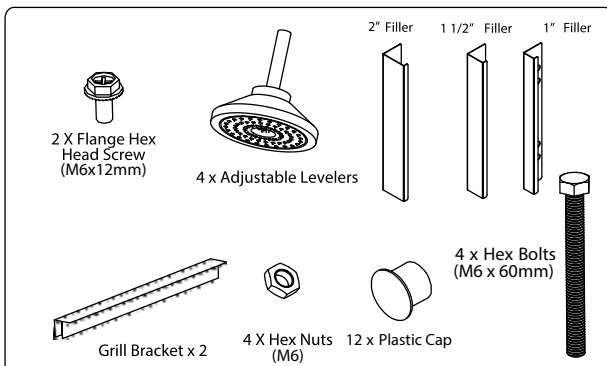


40" Insert Grill Cabinet



SKU# 70552

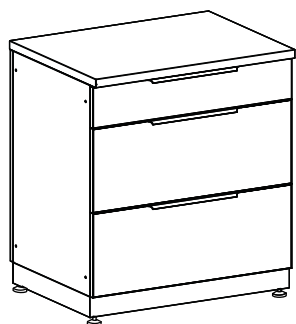
Components	Function	Engg part No	Qty
Cabinet Frame + Door	-		1
Hex Head Bolt (M6 X 60)	Connecting Cabinets	H00402A-01	4
Hex Nut (M6)	Connecting Cabinets	H00200A-01	4
Height-Adjustable Levelers	-	H00196A-01	4
Grill Bracket	-	OKC1-04.010A-01	2
Grill Inside Bracket	-	OKC1-04.011A-01	2
Hex Bolt M6 x 12mm	Connecting Grill Bracket	H00201A-01	4
OKC 1.0 Plastic Cap	-	H00210A-01	12
M6x12 Serrated-Flange Hex Head Screw	Installing Grill	H00532A-01	2
Filler Brackets	-	OKC1-04.013A-01 OKC1-04.014A-01 OKC1-04.015A-01	6



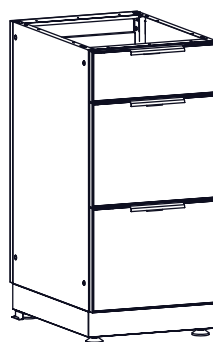
Installing Anti-Tipping Brackets

i For increased safety, especially with individual cabinets, always install an anti-tipping bracket.

i **NOTE:** The following instructions apply to the cabinets below



32" 3 Drawer Cabinet
SKU# 70553



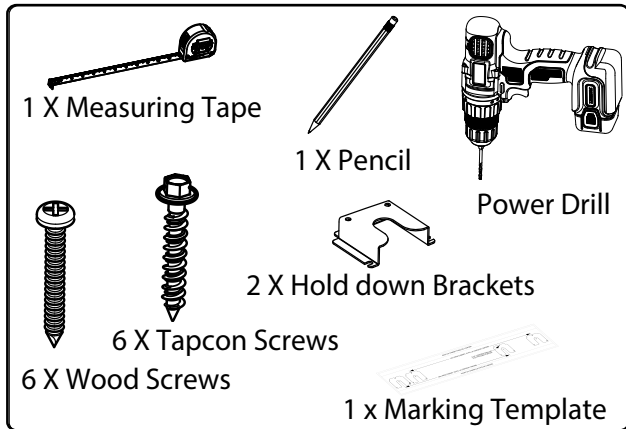
16" 3 Drawer Cabinet
SKU# 65593

Serious or fatal crushing injuries can occur from furniture tip over. To prevent tip over, this furniture must be used with the anti-tipping brackets provided. Open one drawer at a time.

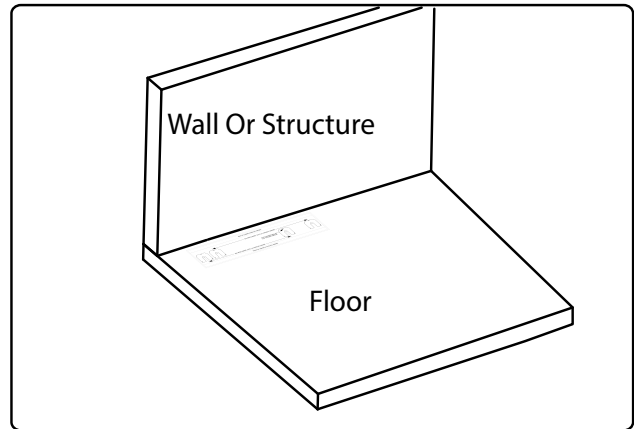


Installing Anti-Tipping Brackets

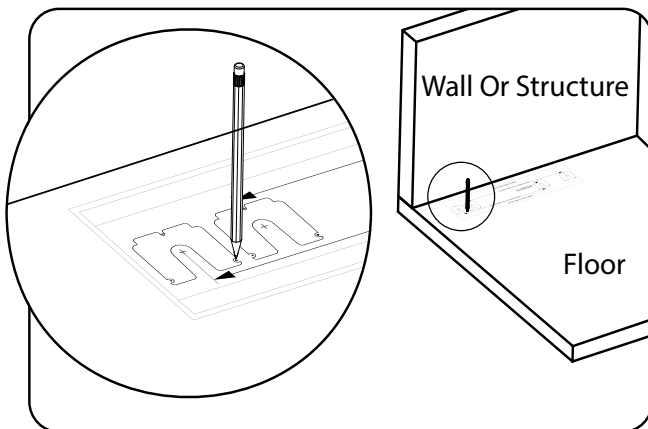
i Parts Needed



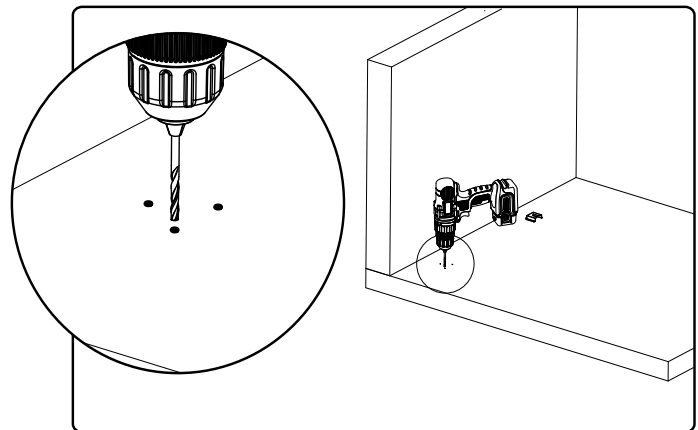
1 Position the Marking Template, where the 2 x rear feet of the cabinet should be installed.



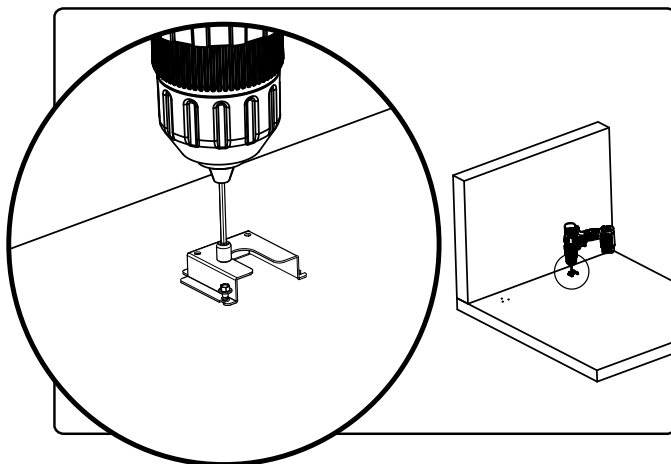
2 Mark 6 drill locations using template to place brackets.



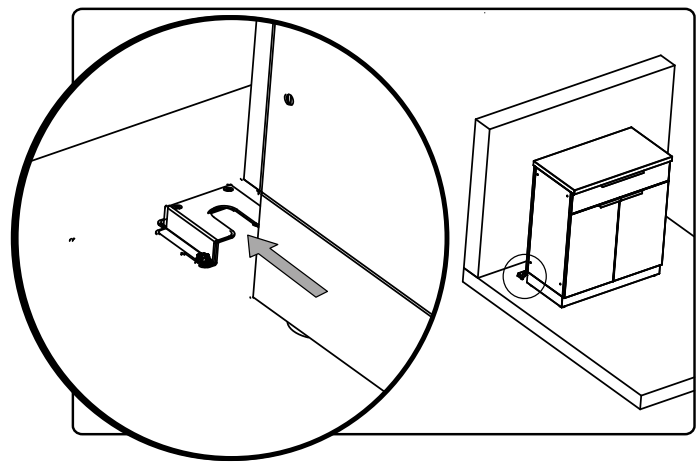
3 Drill floor in marked positions with M3.5 drill bit for concrete.



4 Fasten each Anti-Tipping Bracket with 3x Tapcons into concrete surfaces or 3x wood screws for wood surfaces.



5 Slide cabinet into the Anti-Tipping Brackets until both rear feet are engaged to secure cabinet.

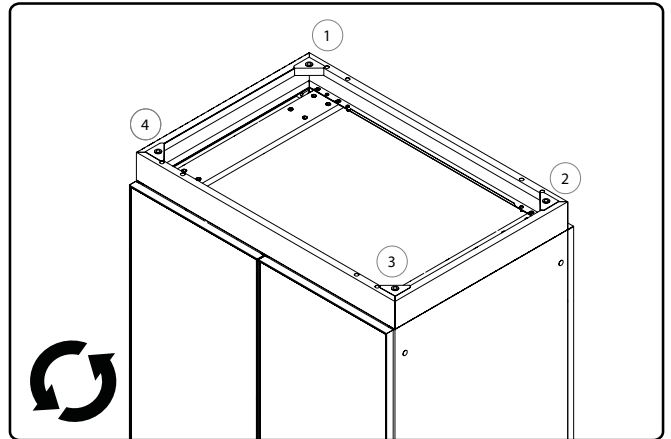


Installing the Legs

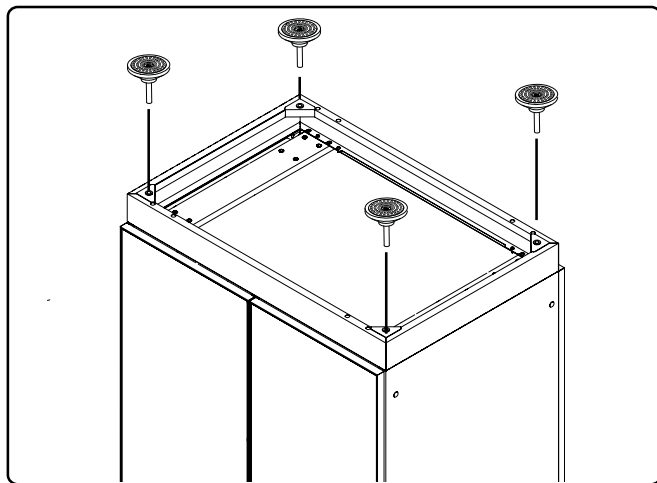
i Parts Needed.



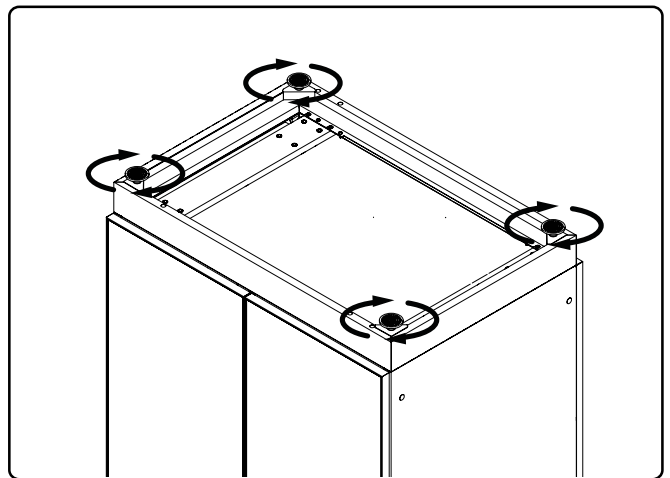
1 Flip cabinet upside down, locate corner leveler brackets.



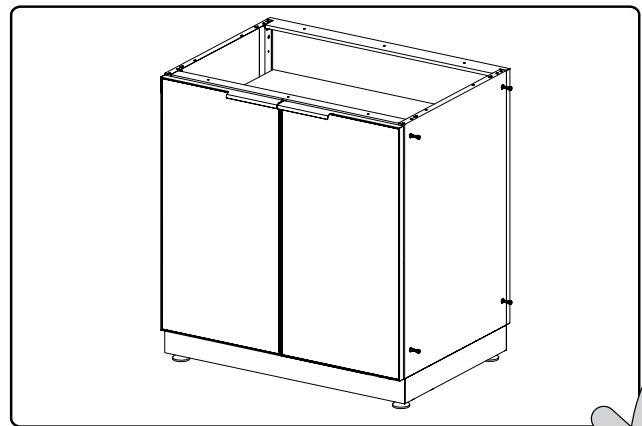
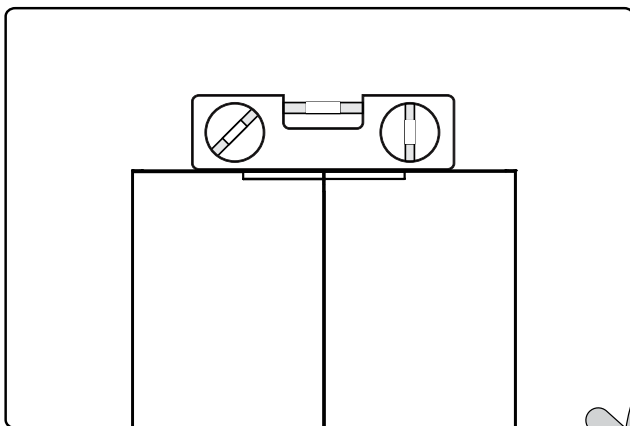
2 Align levelers with insert nuts in corner brackets.



3 Rotate clockwise to tighten each leveler.



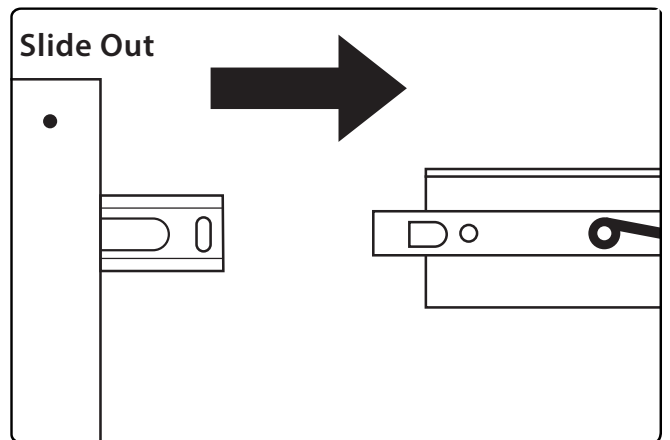
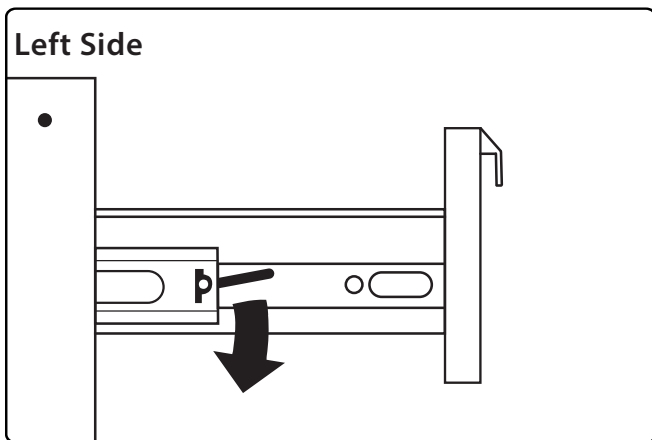
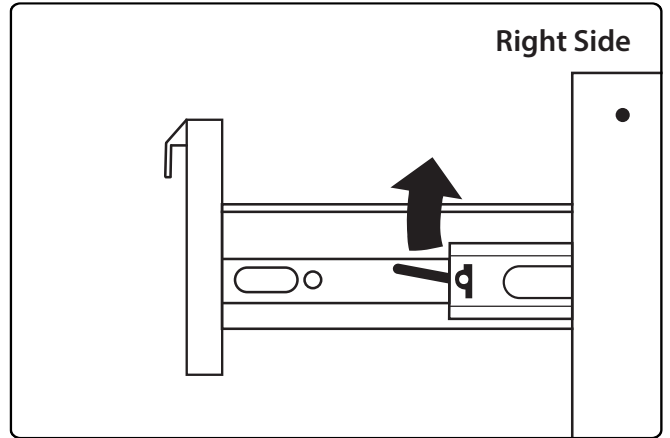
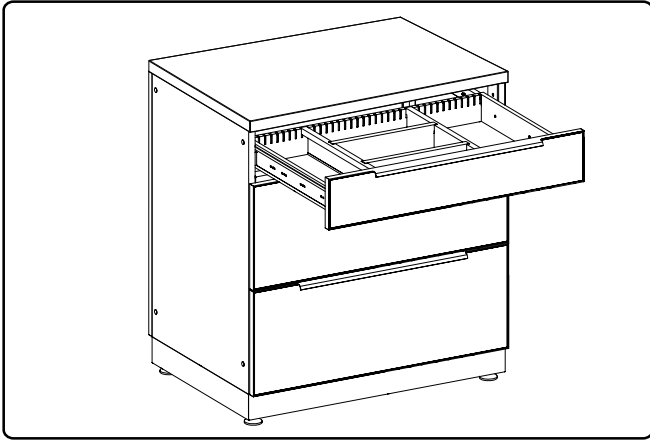
4 Flip over Cabinet and level the Cabinet by adjusting the leveler.



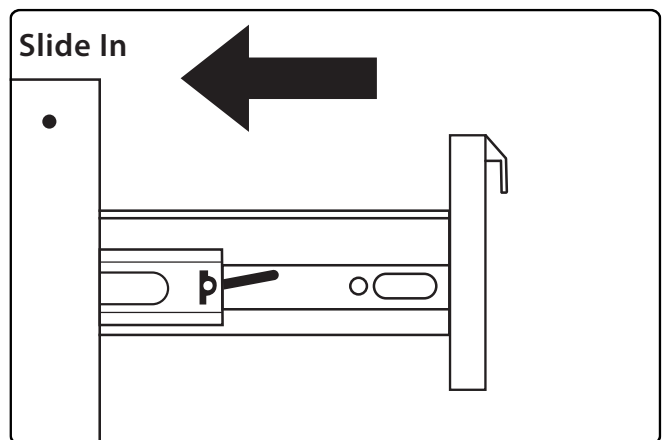
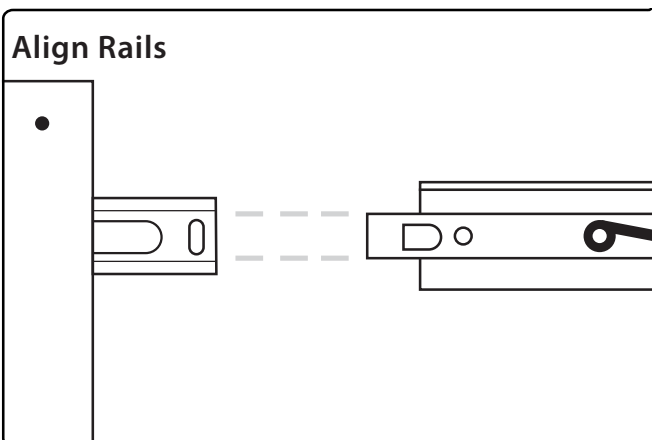
i **NOTE:** Make sure the left and right doors are in level, if not adjust the levelers.

Installing/Removing the Drawers

Removing Drawers



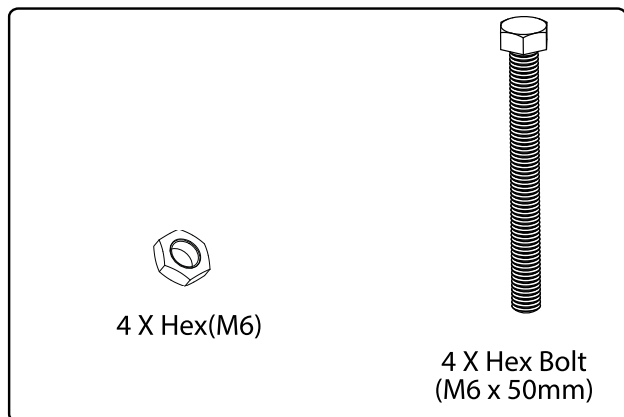
Inserting Drawers



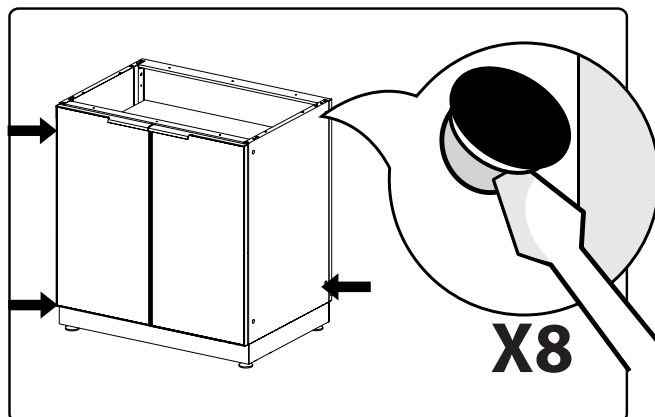
Attaching the Cabinets

Connecting the cabinets together

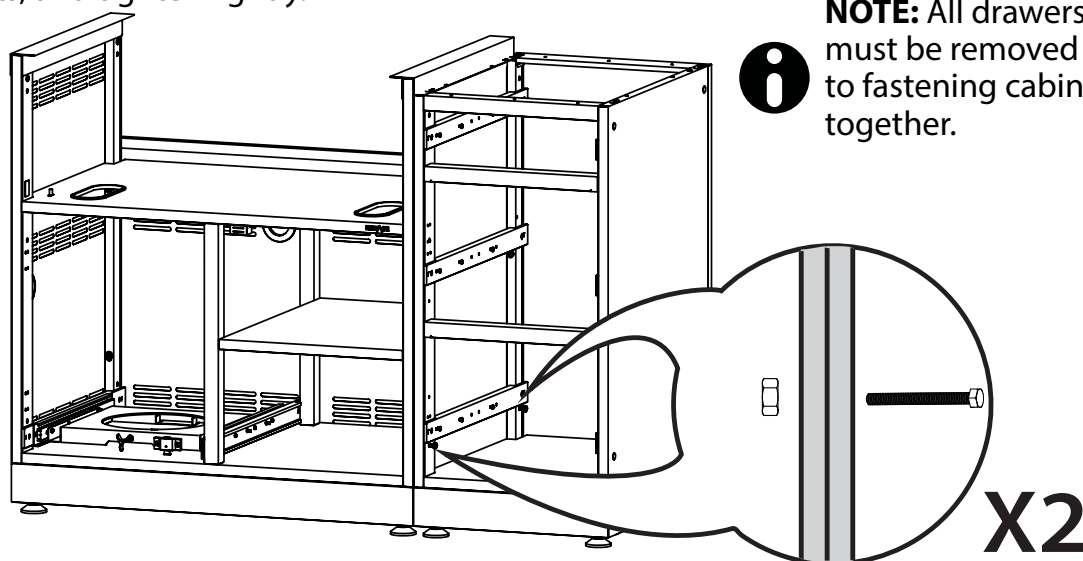
Parts Needed



1 Remove plastic caps from the cabinets

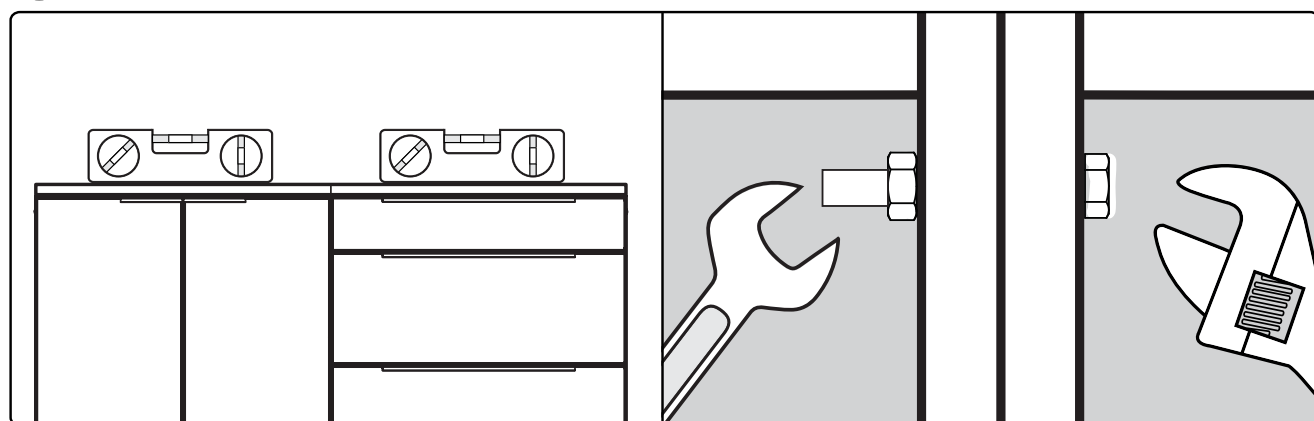


2 Align bolts, and tighten lightly.



NOTE: All drawers must be removed prior to fastening cabinets together.

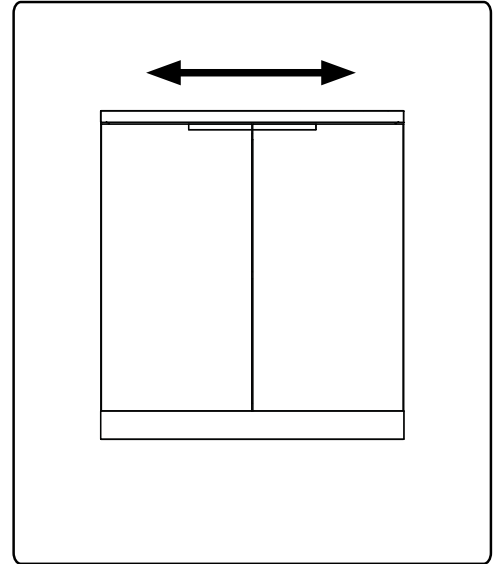
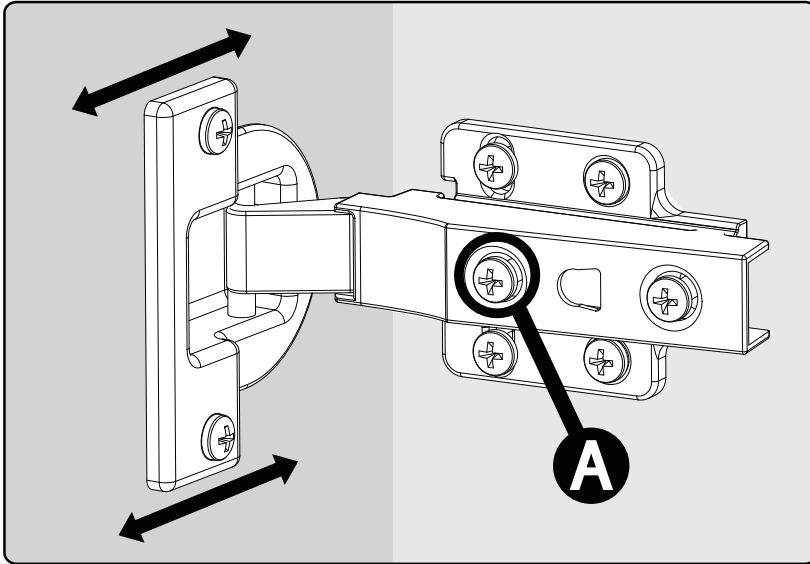
3 Level cabinets individually.



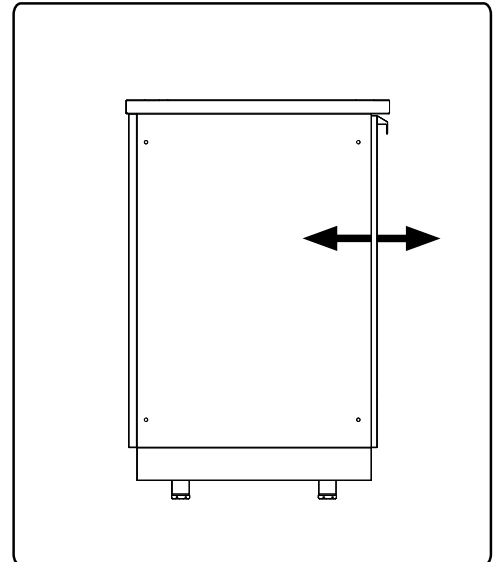
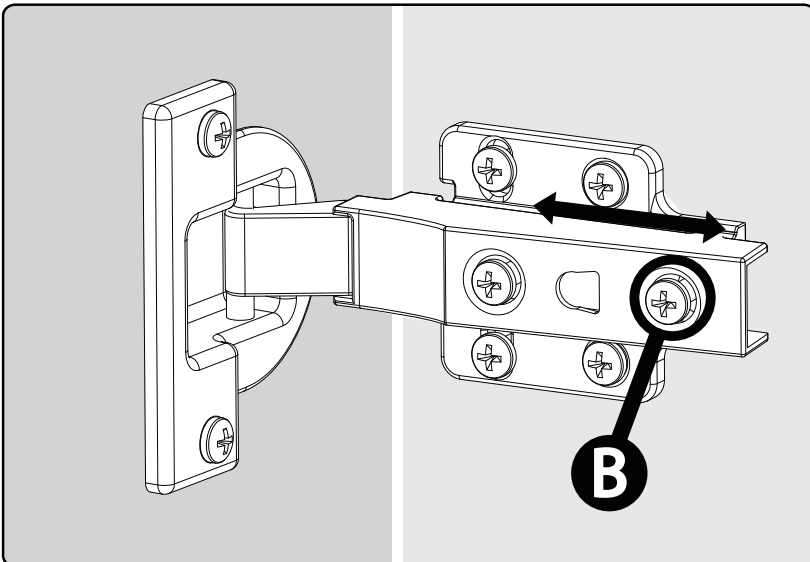
Adjusting the Door Hinges

i NOTE: Using a Philips screwdriver, the doors can be adjusted:
Left, right, forwards and backwards.

1 To adjust the doors left or right, turn the screw (A) clockwise or counterclockwise.



2 To adjust the gap between the doors and frame, turn the screw (B) clockwise or counterclockwise.



Installing the Countertops

Mounting the SS Worktop on Cabinets

i NOTE: For cabinets with drawers, ensure drawers are removed, for smooth installation of countertops.

Worktops

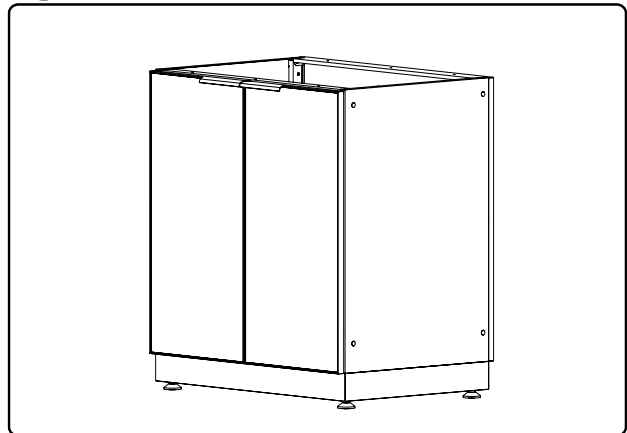


16" Worktop. Fits over 1 Cabinet

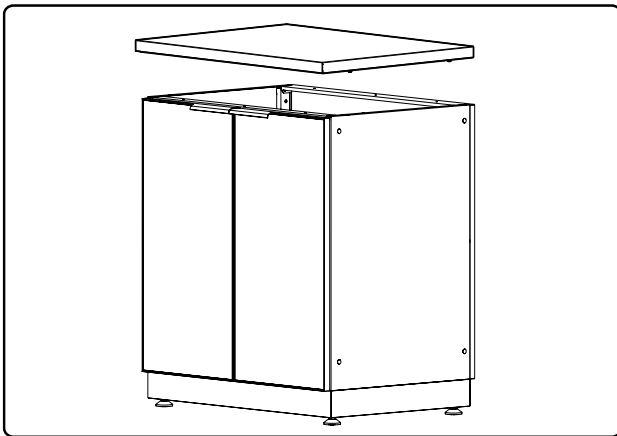


32" Worktop. Fits over 1 Cabinet

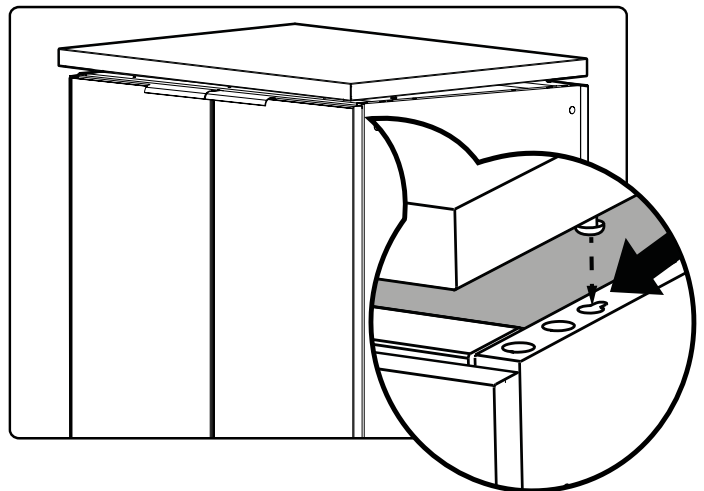
1 Stand cabinet upright.



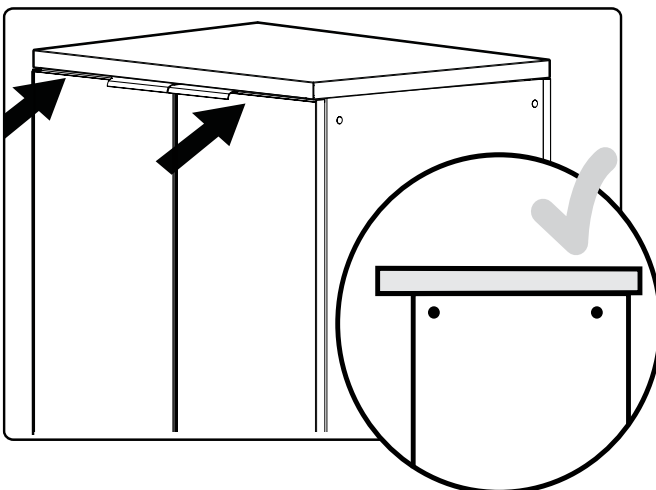
2 Place worktop over cabinets.



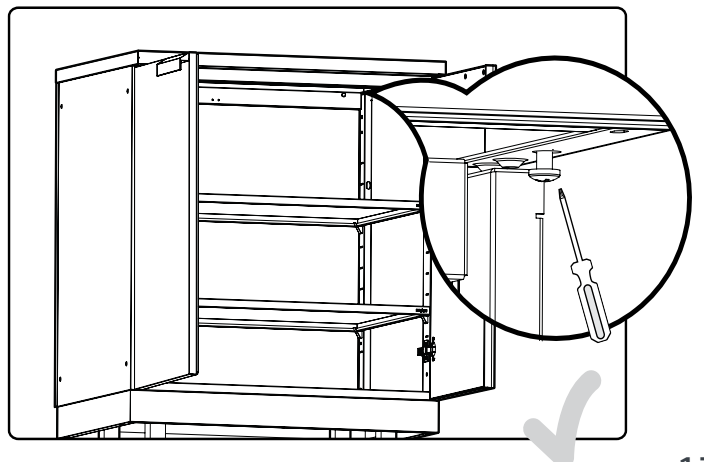
3 Insert the worktop bolt heads into the keyhole shape slots.



4 Push worktop in to lock.

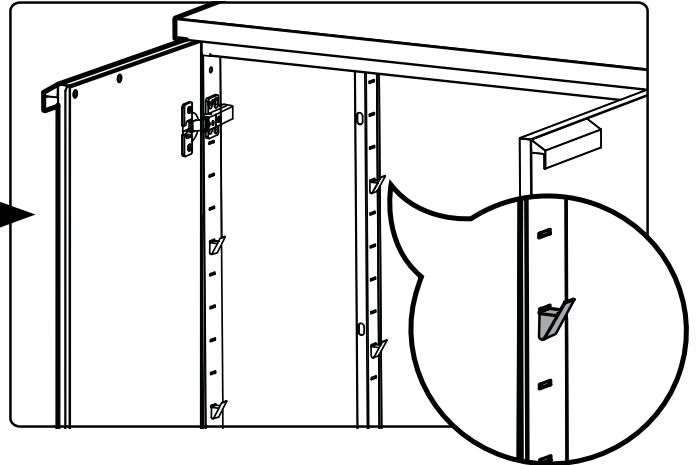
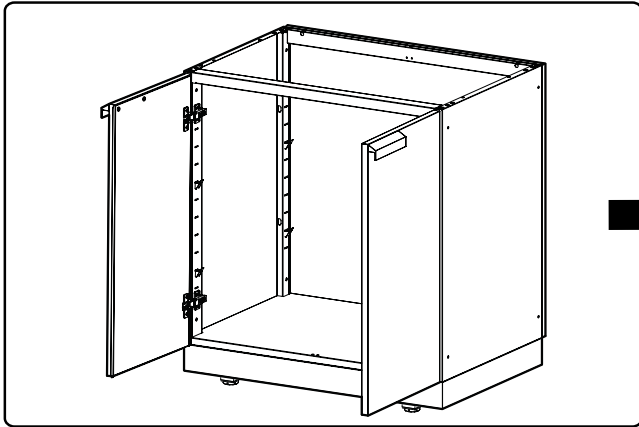


5 Tighten screws to secure cabinets.

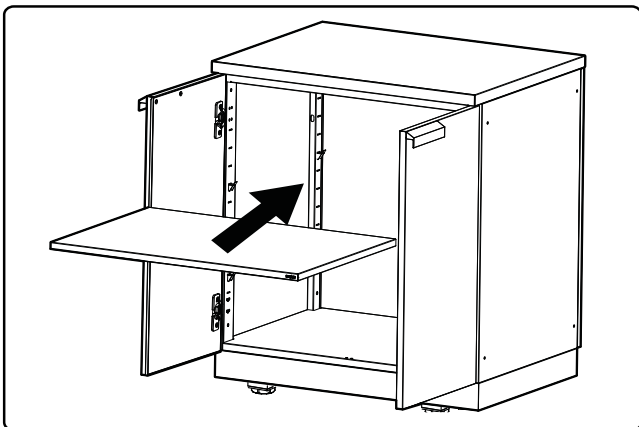


Inserting Cabinet Shelves

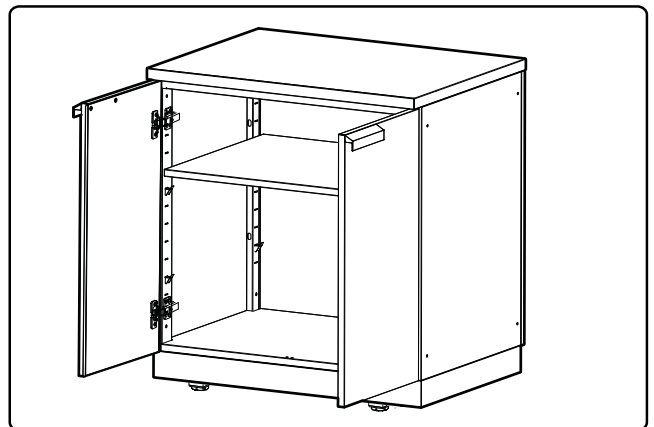
- 1** Open cabinet doors. Attach shelf clips to desired height.



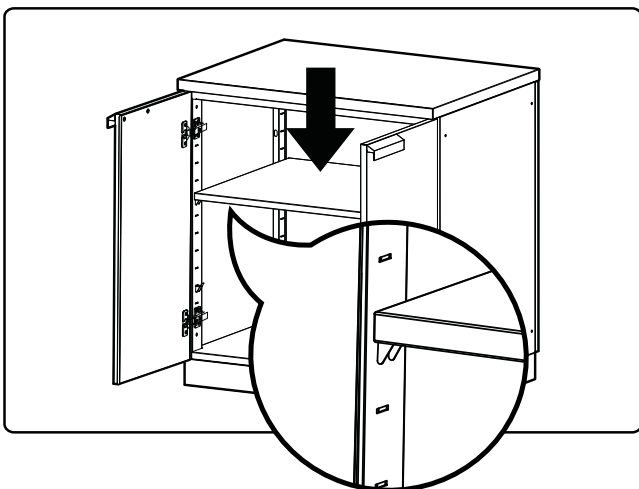
- 2** Begin by leveling the shelf.



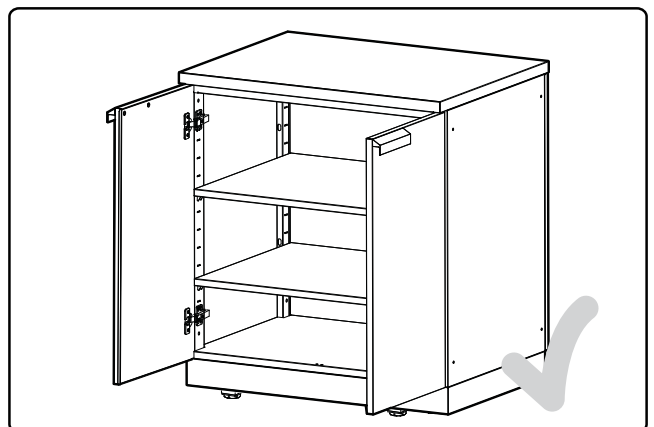
- 3** Insert and position the shelf above the shelf clips.



- 4** Lower the shelf down onto the shelf clips



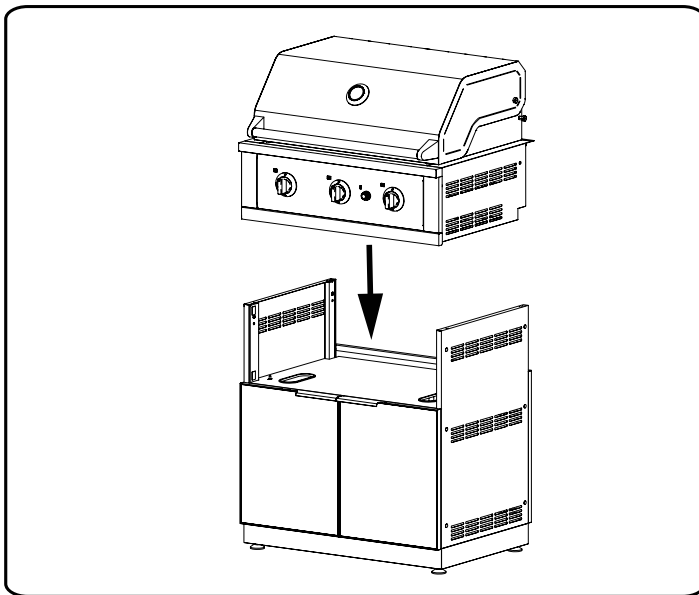
- 5** Install the remaining shelves.



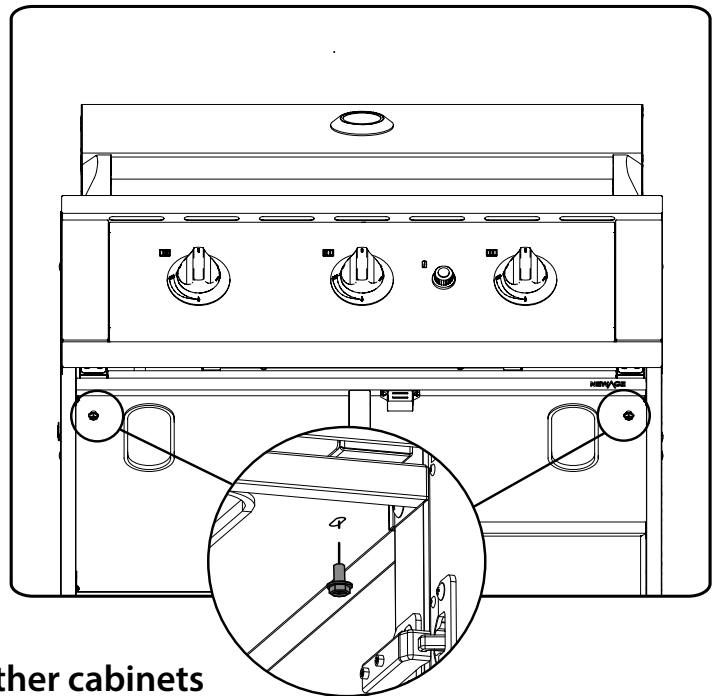
Installing NewAge Insert Grills

Mounting the NewAge Insert Grills on Cabinets

1 Place grill onto the cabinet



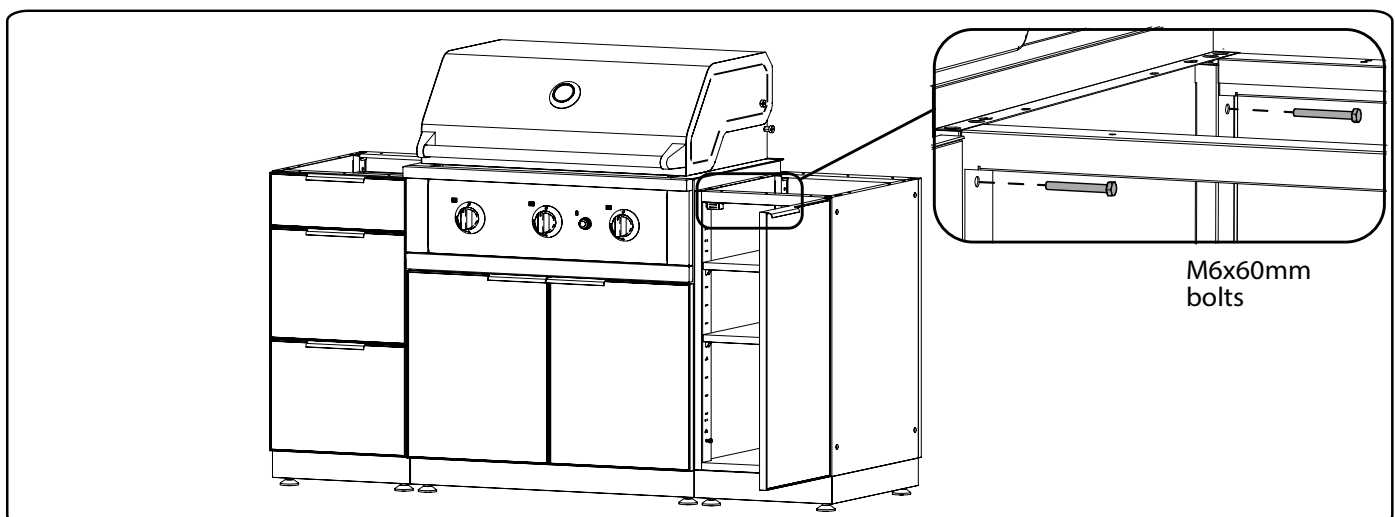
2 Secure grill to cabinet by inserting two M6X12 Flange hex head screws (supplied with Cabinet) that line up with insert nuts on the bottom side of the grill.



Installing Grill on Grill cabinet attached to other cabinets

To add an additional cabinet, attach both the cabinets using two M6x60mm bolts through top mounting holes.

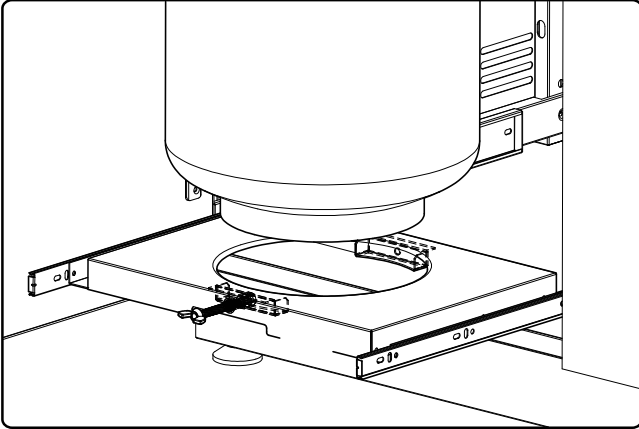
3 Follow same to install additional cabinet on other side, else use two flat head screws to secure grill to cabinet on open end.



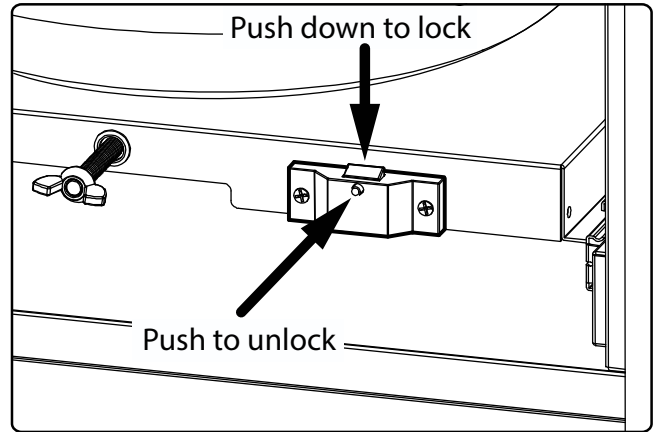
i Note: For more details please refer NewAge Grill Install Manual supplied with grill for installing NewAge Grill on Cabinet.

Installing Propane Tank

- 1** Place the propane tank in the ring and turn the wing nut bolt until the tank ring clamp which is underneath the tray is tight to the propane tank.



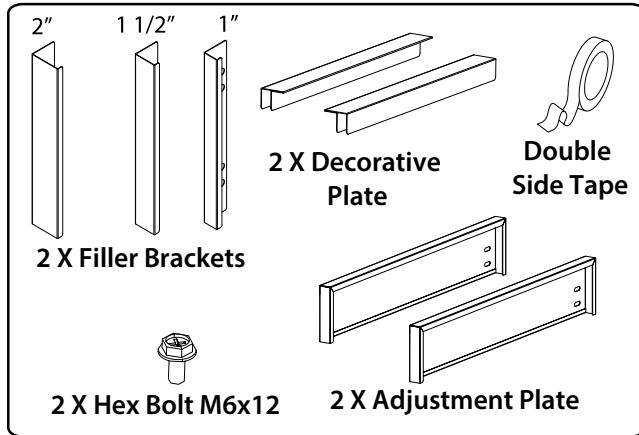
- 2** Once tank tray is pushed to the back of the cabinet, lock the tank tray by pushing down on the lock button. Push the release button to unlock.



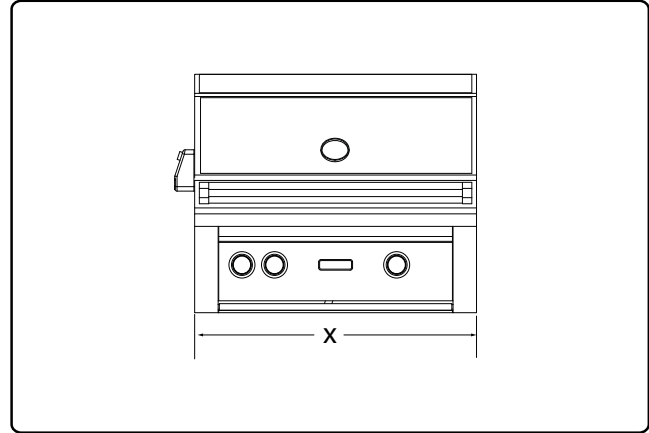
Installing Filler Brackets

Note : Filler brackets are not required for NewAge Grills, they are provided for adapting the installation of non-NewAge grills.

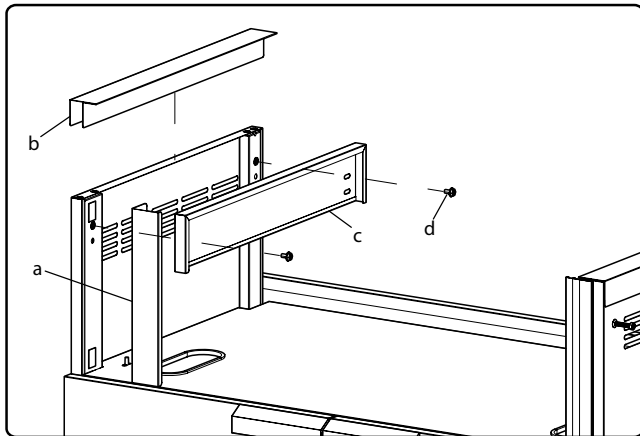
i Parts needed



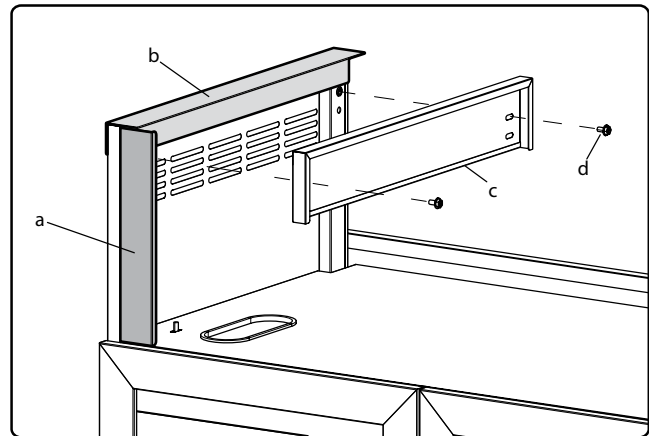
1 Measure the length "X" of the grill to be assembled. Select the filler brackets that suits the size of your grill.



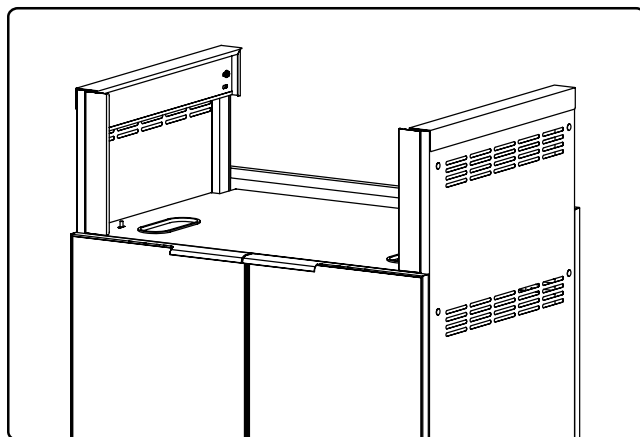
2 Place the decorative plate (b) with double side tape on top of the grill cabinet side panels with the filler bracket (a).



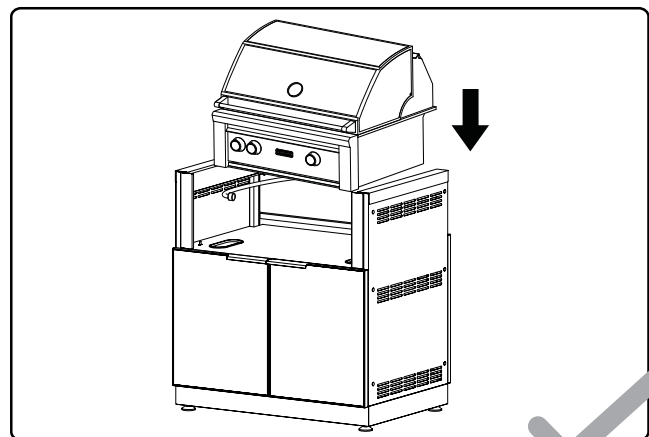
3 Install the adjustment plate (c) to the assembled filler bracket with hex bolts (d).



4 Repeat steps 2 & 3 to install on the other side.



5 Place grill so that the rails touch the brackets.



Care and Maintenance

Outdoor Kitchen Cabinets & SS Countertops

Perform Regular Maintenance

1. Wash regularly with clean fresh water, mild detergent and a micro fiber cloth.
2. After washing rinse in clean water and wipe the surface dry with your cloth remembering to go with the grain on brushed stainless steel.
3. Generally you should wash your stainless steel every three months. Coastal areas or next to a chlorine pool more frequently every 2 weeks.
4. Do not use abrasive cleaners or a scouring pad of any type as they will cause excessive wear and dull the finish.
5. Stainless steel finishes in coastal environments may show tea staining if not washed regularly. We recommend Hopes "Perfect Stainless" as a cleaner with a microfiber cloth.
6. For better protection use a thin coating of protectant on the surface. We do not recommend using this coating for food prep areas.

List of common conditions that cause corrosion or discoloration of stainless steel and should be avoided:

1. Chloride containing cleansers – this includes bleach and any cleaners containing bleach
2. Muriatic acid (hydrochloric acid) – commonly used to clean up after tile/concrete installation
3. Concentrated soap residue – chemical additives will cause discoloration and some dried soaps actually look like rust
4. Water with high iron content – can leave a rusty residue, especially if allowed to drip continuously
5. Contact with iron materials – including steel wool, iron residue/dust from installation or cleaning of other steel products
6. Trapped moisture between the product and cover – rubber mats, metal cans or cleaner cans- Allow cabinets to completely dry before covering.
7. Salts – contain chlorides
8. Extreme Heat by Flame
9. Do not permit citrus or tomato juice to remain on stainless steel surfaces.
10. No abrasive cleaners, steel wool pads, or abrasive cloths as they will scratch the finish.

NEWAGE PRODUCTS INC. CLASSIC OUTDOOR KITCHEN CABINETS MANUFACTURER WARRANTY

PROOF OF PURCHASE IS REQUIRED TO OBTAIN WARRANTY SERVICE.

Please have the following information available when you call our customer service team:

- Name, address and telephone number
- Product Name / SKU Number
- A clear, detailed description of the problem
- Proof of purchase including order number

Register your NewAge Products purchase online for quicker customer assistance and access to exclusive benefits

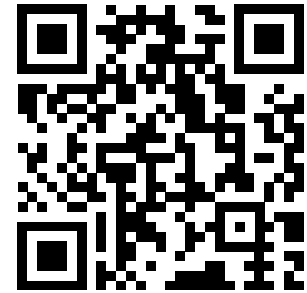
Visit www.newageproducts.com/register/

Warranty Claim

For warranty service please contact NewAge Products at **1-877-306-8930**; or support@newageproducts.com

Please review all warranty details below, prior to contacting NewAge Products for a claim.

Scan the QR code on the right to access our support page or visit www.newageproducts.com/contact-us/



Scan this QR code with the camera on your mobile device to visit the NewAge Products Support Hub

www.newageproducts.com/support-hub/

10 YEARS LIMITED WARRANTY

NewAge is proud to offer a 10 Years Limited Warranty from the date of purchase. This is subject to the limitations and disclaimers set forth below and other product documentations.

Length of warranty	Warranty covered Items	Cost to NewAge	Cost to Customer
10 Years	Stainless Steel Cabinet Overall Structural Integrity	Materials	Shipping
2 Years	Drawer Slides, Door Hinges, Drawer & Door Handles	Materials	Shipping
3 Years	Product Finishes free from defects for initial customer	Materials	Shipping

WHAT IS COVERED

When this product is installed, operated and maintained according to the instructions attached to or furnished with the product, NewAge Products Inc. will replace the defective product or parts if the part fails as a result of defective materials or workmanship for the warranty duration from the purchase date of the product.

WHAT IS NOT COVERED

1. Service calls to correct the installation of any NewAge products or to instruct you how to use or install them.
2. Damage resulting from improper handling, or products damaged by accident, misuse, abuse, fire, flood, improper installation, acts of God, neglect, corrosion, modification or mishandling.
3. Products damaged by improperly loading beyond the specified maximum weight capacity outlined in the instructions provided with the product.
4. Repairs or replacement when your product is used in other than normal, single-family household use, such as a commercial environment, or handled in anyway inconsistent with the installation instructions included with the product.
5. Cosmetic damage, including scratches, dings, dents or cracks in paint that do not affect the structural or functional capability of the product.
6. Surfaces damaged due to chemical interaction resulting in corrosion of paint or metal.
7. Color discoloration due to UV or sunlight. Product may change color overtime under exposure of sunlight.
8. Replacement parts for NewAge products outside Canada and the United States.
9. Loss of product contents due to theft, fire, flood, accident or acts of God.
10. Any labor costs during the limited warranty period.

DISCLAIMER OF IMPLIED WARRANTIES

IMPLIED WARRANTIES, INCLUDING TO THE EXTENT APPLICABLE WARRANTIES OF MERCHANTABILITY OR FITNESS FOR A PARTICULAR PURPOSE, ARE EXCLUDED TO THE EXTENT LEGALLY PERMISSIBLE. ANY IMPLIED WARRANTIES THAT MAY BE IMPOSED BY LAW ARE LIMITED TO ONE YEAR, OR THE SHORTEST PERIOD ALLOWED BY LAW. THIS WARRANTY IS LIMITED TO THE ORIGINAL BUYER. Some states and provinces do not allow limitations on the duration of implied warranties of merchantability or fitness, so this limitation may not apply to you. This warranty gives you specific legal rights, and you also may have other rights that vary from state to state or province to province.

LIMITATION OF REMEDIES; EXCLUSION OF INCIDENTAL AND CONSEQUENTIAL DAMAGES

YOUR SOLE AND EXCLUSIVE REMEDY UNDER THIS LIMITED WARRANTY SHALL BE PRODUCT REPAIR OR REPLACEMENT AT OUR DISCRETION AS PROVIDED HEREIN. NEWAGE SHALL NOT BE LIABLE FOR INCIDENTAL OR CONSEQUENTIAL DAMAGES. Some states and provinces do not allow the exclusion or limitation of incidental or consequential damages, so these limitations and exclusions may not apply to you. This warranty gives you specific legal rights, and you also may have other rights that vary from state to state or province to province.