

ITEM #5745174
MODEL #61178

THE ADDAMS FAMILY

THE ADDAMS FAMILY 47-IN DANCING COUSIN ITT

THE ADDAMS FAMILY © 1964-1966 Orion Pictures Corporation. THE ADDAMS FAMILY is a trademark of Tee & Charles Addams Foundation. © 2024 Metro-Goldwyn-Mayer Studios Inc. All Rights Reserved.

TEKKY and the logo design are trademarks of JCW Investments, Inc., d/b/a Tekky, and used under license.
TekkyDesign.com

ATTACH YOUR RECEIPT HERE



DO NOT RETURN THIS ITEM TO THE STORE!
If experiencing technical difficulties, please go to www.tekkydesign.com for assistance.

TABLE OF CONTENTS

Package Contents	3
Safety Information	4
Preparation	4
Assembly Instructions	5
Operating Instructions	6
Care and Maintenance	7
Troubleshooting	7

PACKAGE CONTENTS



PART	DESCRIPTION	QUANTITY
1	Metal Base	1
2	Lower Poles	2
3	Upper Poles	2
4	Body with Control Box	1
5	AA Batteries	4

SAFETY INFORMATION

Please read and understand this entire manual before attempting to assemble, operate, or install the product.

BATTERY INSTRUCTIONS:

1. Contains (4) AA 1.5-volt alkaline batteries. Batteries are not rechargeable.
2. Battery installation and removal should be performed by an adult.
Batteries are harmful if swallowed. Keep away from young children.
3. Remove batteries when not in use.
4. Use only batteries recommended in the instructions.
5. Do not mix new and used batteries.
6. Do not mix alkaline, carbon-zinc, nickel-cadmium, rechargeable or different types of batteries.
7. Be mindful to insert batteries with the correct polarity (+/-) as indicated.
8. Remove all exhausted batteries.
9. Rechargeable batteries are only to be charged under adult supervision.
10. Rechargeable batteries are to be removed from the item before being charged.
11. Non-rechargeable batteries are not to be recharged.
12. The supply terminals are not to be short-circuited.
13. Always dispose of exhausted batteries properly.
14. DO NOT dispose of batteries in fire, they may leak or explode.

WARNING

- **Warning: Risk of injury to persons. Read and understand instruction manual before use.**
- Warning: CHOKING HAZARD! Small parts. This item is not a toy. For decoration only.
- Do not turn item on until you have completely finished assembly.
- Stay clear of item while operating.
- Do not place item on uneven ground.
- Do not place weight on item while in operation unless on base.
- Intended for indoor use only.

PREPARATION

ADULT ASSEMBLY REQUIRED

Before beginning assembly of product, make sure all parts are present. Compare parts with package contents list. If any part is missing or damaged, do not attempt to assemble the product.

A small crosshead/Phillips screwdriver is required to remove the battery compartment cover on the control box.

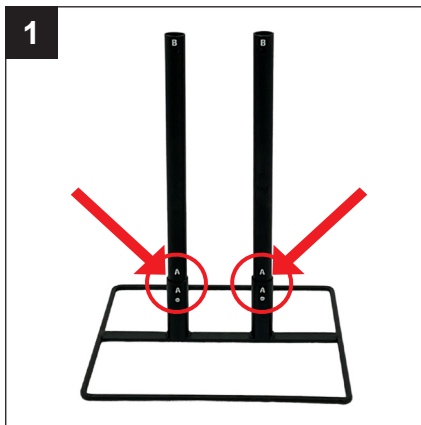
Recommend 1 person setup.

Estimated Assembly Time: 5 minutes

ASSEMBLY INSTRUCTIONS

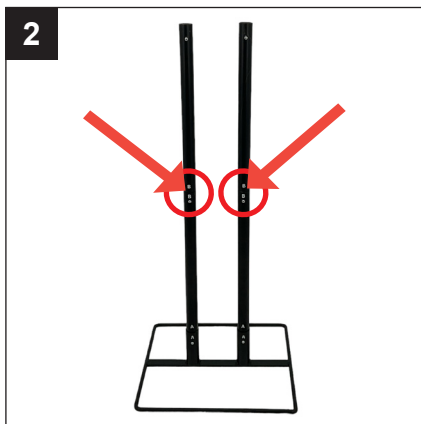
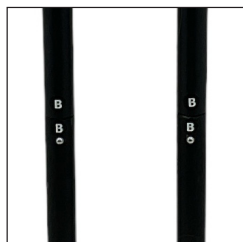
1. Insert and snap lock the LOWER POLES into the METAL BASE.

(Match A to A)



2. Insert and snap lock the UPPER POLES into the LOWER POLES.

(Match B to B)



3. Insert and snap lock the BODY WITH CONTROL BOX onto the UPPER POLES with speaker facing forward.



ASSEMBLY INSTRUCTIONS

- Adjust Cousin Itt body and hair to cover the METAL BASE.



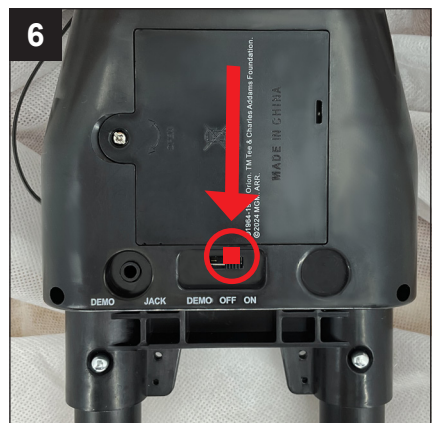
OPERATING INSTRUCTIONS

- Insert 4 fresh AA BATTERIES into the battery compartment located on the control box. Use a small crosshead/Phillips screwdriver to remove the battery compartment cover.



- Move the switch to the ON position. Move in front of the item or make a loud sound (clap) to activate the item.

Turn the item to the OFF position when not in use.



OPTIONAL DEMO SET UP

FOOTPAD IS NOT INCLUDED.
MUST BE PURCHASED SEPARATELY.

1. Insert the cable from optional footpad into the jack labeled DEMO JACK on the CONTROL BOX.
2. Place the switch in the DEMO position to enable DEMO activation.
3. Step on the FOOTPAD to activate the scary sequence!



CARE AND MAINTENANCE

- STORE IN A COOL AND DRY ENVIRONMENT.
- SURFACE WASHABLE ONLY. DO NOT USE ANY HARSH OR ABRASIVE CLEANING AGENTS.
- DESIGNED FOR SEASONAL OPERATION ONLY.
- NOT INTENDED FOR CONSTANT OR LONG-TERM USE.
- PROPER STORAGE AND USE ARE ESSENTIAL TO THIS ITEM'S LONGEVITY.
- INTENDED FOR INDOOR USE ONLY.

TROUBLESHOOTING

PROBLEM	POSSIBLE CAUSE	CORRECTIVE ACTION
Item will not activate.	<ul style="list-style-type: none">• Switch on control box is not in the ON position.• Batteries are not inserted correctly.• Motion sensor on hat may be blocked.	<ul style="list-style-type: none">• Move switch to ON position.• Install batteries with positive and negative terminals in the correct positions.• Move any obstruction in front of sensor.