



Wireless Undercabinet TV/DVD/Music System

User's Guide for Model IKTD1037S v1840-01

For the most up-to-date version of this User's Guide, go to www.iLiveElectronics.com

Safety Instructions & Warnings



WARNING: To reduce the risk of electric shock, do not remove cover (or back). No user-serviceable parts inside. Refer servicing to qualified service personnel.



The exclamation point within an equilateral triangle is intended to alert the user to the presence of important operating and maintenance (servicing) instructions in the literature accompanying the appliance.



The lightning flash with arrowhead symbol, within an equilateral triangle, is intended to alert the user to the presence of uninsulated "dangerous voltage" within the product's enclosure that may be of sufficient magnitude to constitute a risk of electric shock to persons.



This symbol indicates that this product incorporates double insulation between hazardous mains voltage and user accessible parts.

WARNING: DO NOT INGEST BATTERY, CHEMICAL BURN HAZARD.



This product utilizes a Class 1 laser to read Compact Discs. This laser Compact Disc Player is equipped with safety switches to avoid exposure when the CD door is open and the safety interlocks are defeated. Invisible laser radiation is present when the CD Player's lid is open and the system's interlock has failed or been defeated. It is very important that you avoid direct exposure to the laser beam at all times. Please do not attempt to defeat or bypass the safety switches.

FCC Warnings

Warning: Changes or modifications to this unit not expressly approved by the party responsible for compliance could void the user's authority to operate the equipment.

NOTE: This equipment has been tested and found to comply with the limits for a Class B digital device, pursuant to Part 15 of the FCC Rules. These limits are designed to provide reasonable protection against harmful interference in a residential installation. This equipment generates, uses, and can radiate radio frequency energy and, if not installed and used in accordance with the instructions, may cause harmful interference to radio communications. However, there is no guarantee that interference will not occur in a particular installation. If this equipment does cause harmful interference to radio or television reception, which can be determined by turning the equipment off and on, the user is encouraged to try to correct the interference by one or more of the following measures:

- Reorient or relocate the receiving antenna.
- Increase the separation between the equipment and receiver.
- Connect the equipment into an outlet on a circuit different from that to which the receiver is connected.
- Consult the dealer or an experienced radio/TV technician for help.

Additional Warnings

- **CAUTION:** TO PREVENT ELECTRIC SHOCK, MATCH WIDE BLADE OF PLUG TO WIDE SLOT, FULLY INSERT.
- Mains plug is used as disconnect device and it should remain readily operable during intended use. In order to disconnect the apparatus from the mains completely, the mains plug should be disconnected from the mains socket outlet completely.
- **WARNING:** Shock hazard - Do Not Open.
- Caution and marking information is located at the rear or bottom of the apparatus.
- Objects filled with liquids, such as vases, shall not be placed on the apparatus.
- **WARNING:** To reduce the risk of fire or electric shock, do not expose this apparatus to rain, moisture, dripping, or splashing.
- **CAUTION:** Use of controls or adjustments or performance of procedures other than those specified may result in hazardous radiation exposure.
- **WARNING:** Changes or modifications to this unit not expressly approved by the party responsible for compliance could void the user's authority to operate the equipment.
- **WARNING:** Use of this unit near fluorescent lighting may cause interference regarding use of the remote. If the unit is displaying erratic behavior move away from any fluorescent lighting, as it may be the cause.
- **CAUTION:** Danger of explosion if battery is incorrectly replaced. Replace only with the same or equivalent type.
- **WARNING:** The remote control's button cell battery contains mercury. Do not put in the trash, instead recycle or dispose of as hazardous waste.
- This product is supplied with a coin/button cell battery. If the coin/button cell battery is swallowed, it can cause severe internal burns and can lead to death.
- Battery shall not be exposed to excessive heat such as sunshine, fire or the like.
- Keep new and used batteries away from children. If the battery compartment does not close securely, stop using the product and keep it away from children.
- If you think batteries might have been swallowed or placed inside any part of the body, seek immediate medical attention.
- Do not mix old and new batteries.
- Completely replace all old batteries with new ones.
- Do not mix alkaline, standard (carbon-zinc), or rechargeable (ni-cad, ni-mh, etc) batteries.
- Batteries should be recycled or disposed of as per state and local guidelines.
- **WARNING:** This product may contain chemicals known to the State of California to cause birth defects, or other reproductive harm (California Prop 65). Wash hands after handling.
- This product meets and complies with all Federal regulations.

Table of Contents

Setup	4
Includes	
Power	
Battery Backup	
Orientation	5
Front Panel Controls	
Device Inputs	
Remote	6
Remote Functions	
Remote Batteries	
Connecting Devices	7
Cable/TV Antenna	
Automatic Channel Search	
HDMI	
Composite Video (Aux In)	
USB Drive	
Line In (3.5mm Audio Input)	
Bluetooth Wireless	10
Pairing & Playing Audio	
Speakerphone	
FM Radio	10
Radio Reception	
Tuning the FM Radio	
Saving and Playing a Station as a Preset	
DVD & CD	11
Loading and Playing a DVD/CD	
Programming a DVD or CD	
Clock & Timer	11
Setting the Clock	
Setting the Timer	
Disabling the Timer	
Company Information	12
Contact Information	
International Support	
Warranty	

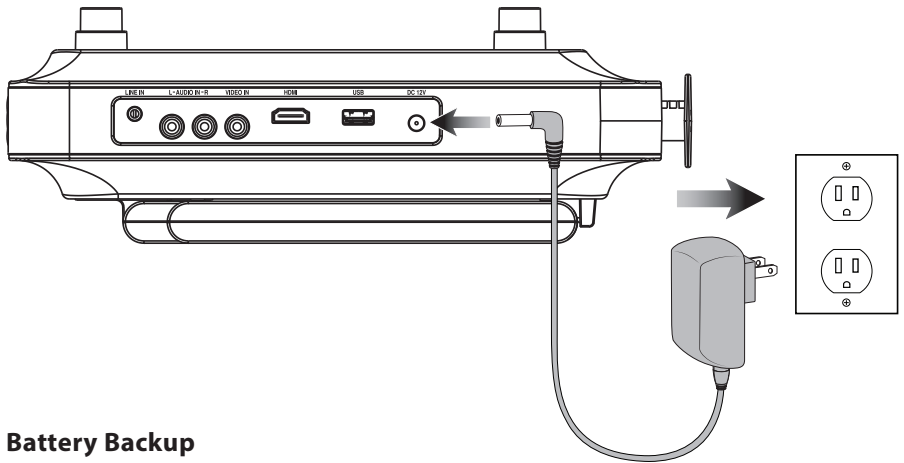
Setup

Includes

- Remote control
- AC/DC power adapter
- Wall-mount hardware and instructions
- User's guide

Power

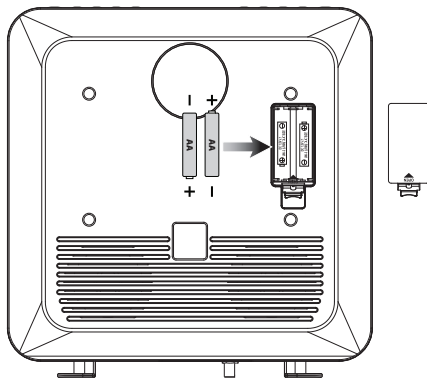
Plug the small end of the power cord into the DC Input on the side of the unit, and the large plug into a standard wall outlet.



Battery Backup

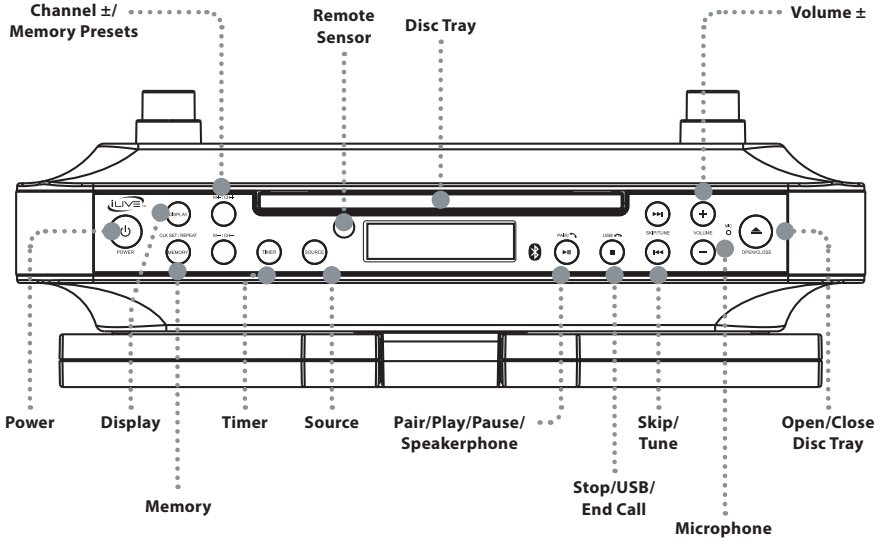
Requires: 2 AA-size, batteries (not included).

The battery backup is intended for short power outages only. The unit's primary functions cannot run on the battery backup alone.

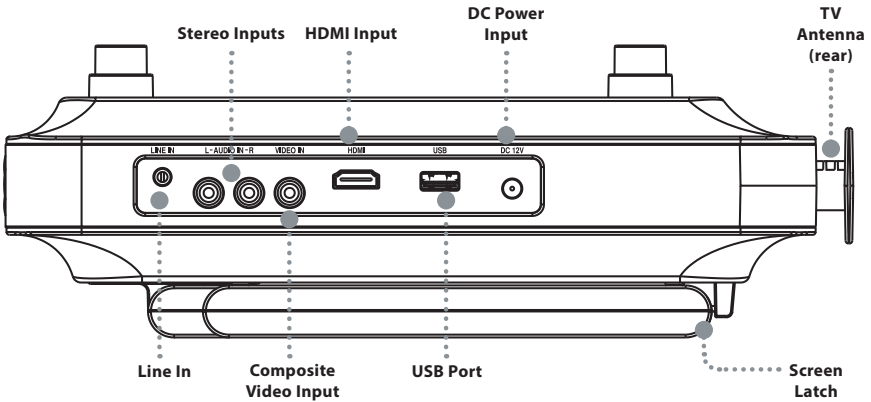


Orientation

Front Panel Controls



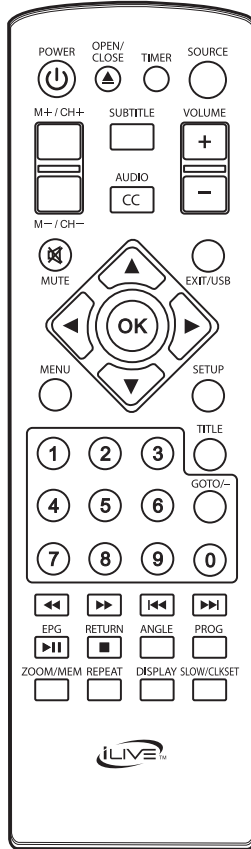
Device Inputs



Remote

Remote Functions

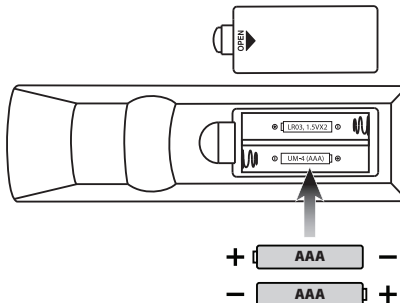
- Power**
Press to power the TV ON or OFF.
- Open/Close**
Open or close the disc tray.
- Channel +/-**
Press to adjust the television channel.
- Subtitle**
Press to select subtitle language.
- Volume +/-**
Press to adjust the television volume.
- Mute**
Press to mute the volume.
- OK/Arrows**
Press to make menu selections.
- Menu**
Press to access a loaded DVD's menu.
- Go To/Number Keypad**
Press to enter channel numbers, DVD chapters/scenes, etc.
- Reverse/Fast Fwd**
Press to search through an individual chapter or track
- Stop**
Press to stop an individual chapter or track during play.
- Play/Pause**
Press to play or pause an individual chapter or track.
- Zoom/Mem**
Press to zoom in or out on a loaded DVD.
- Repeat**
Press to repeat a title, chapter, track, or entire disc.



- Timer**
Press to set the timer.
- Source**
Press to select media source.
- Audio/CC**
Press to adjust the audio settings and closed captions for the loaded DVD.
- Volume +/-**
Press to adjust the volume.
- Exit/USB**
Press to exit the setup menu.
Press to access connected USB drive.
- Setup**
Press to view the unit's setup menu.
- Title**
Press to access the title menu on a loaded DVD.
- Skip Back/Forward**
Press to skip between chapters or tracks.
- Angle**
Press to view alternate angles on supported DVDs.
- Prog**
Press to program a loaded disc to play titles, chapters, or tracks in a specified order.
- Display**
Press to change the info displayed on the unit's LCD display.
- Slow/Clkset**
Press to activate slow motion.
Press to set the clock.

Remote Batteries

Requires: 2 AAA batteries
(not included).

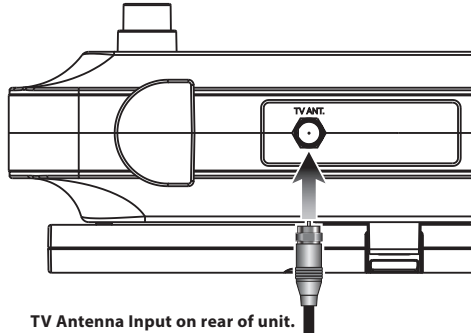


Connecting Devices

Cable/TV Antenna

Required: cable/antenna wire (not included).

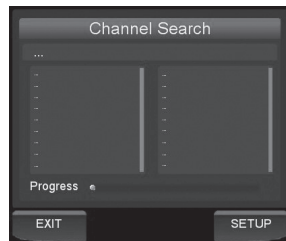
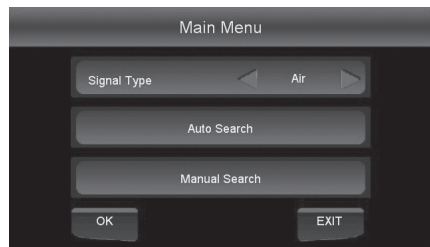
1. Connect the **Cable/Antenna** wire to the input on the rear of the unit.
2. Press the **Source** button to switch to "t**V**".
Note: Due to the way in which the display reads, the letter "V" can appear to read as the letter "U".



TV Antenna Input on rear of unit.

Automatic Channel Search

1. Press the **Setup** button on the remote to access the **Main Menu**.
2. Use the **Arrow** (left, right, up, down) buttons to highlight the **Search Menu** icon and press the **OK** button to select.
3. Use the **Arrow** (left, right, up, down) buttons to highlight **Signal Type**, then select **AIR** or **Cable**.
4. Use the **Arrow** (left, right, up, down) buttons to highlight **Auto Search** and press **OK** to begin scanning for available channels.



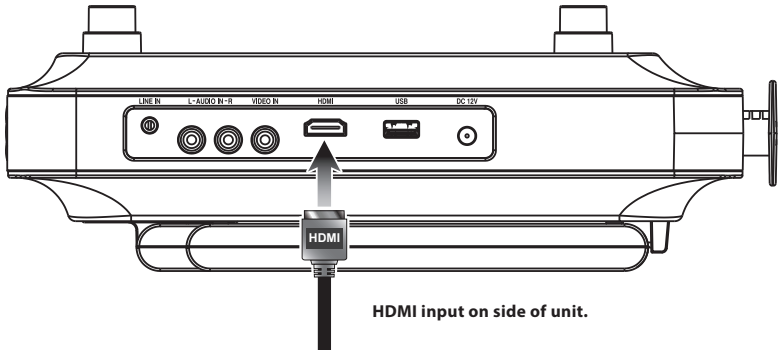
Connecting Devices

HDMI

HDMI offers superior sound and picture quality when compared to Composite or other connection types, and is the easiest way to connect your media devices to the television.

Required: a device that supports HDMI and a HDMI cable (not included).

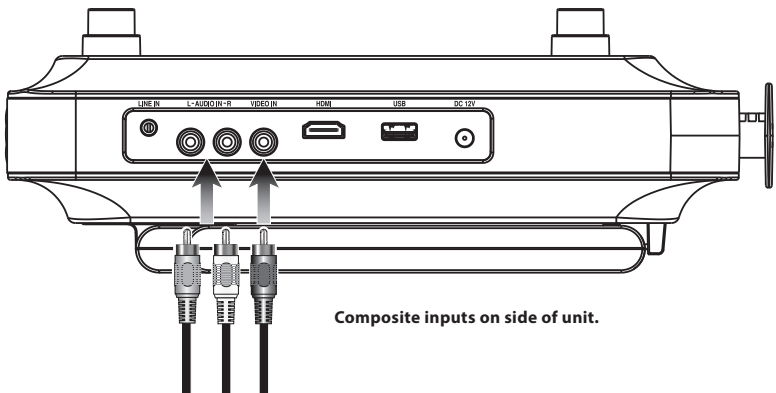
1. Connect the device's **HDMI output** to the **HDMI input** on the side of the unit.
2. Press the **Source** button to switch to the connected input "**Hd**" (**HDMI**).



Composite Video (Aux In)

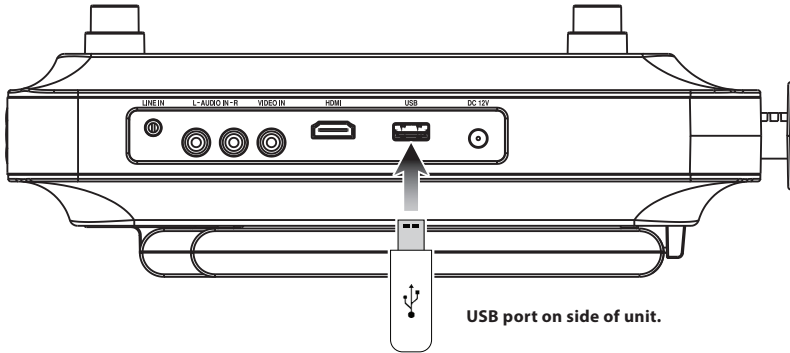
Required: composite video (yellow) and RCA stereo (red/white) cables (not included).

1. Connect the video output on the unit to the corresponding color coded video inputs on the television with a **Composite Video cable**.
2. Connect the audio output on the unit to the corresponding color coded audio input on the television with **stereo RCA cables**.
3. Press the **Source** button to switch to the connected input "**AU**" (**Aux In**).



USB Drive

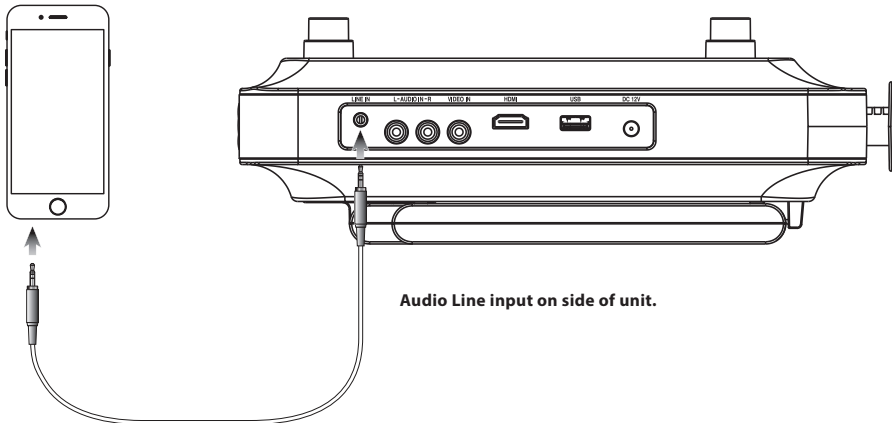
1. Load a USB drive into the USB Port.
2. Press the **Source** button to switch to "DVD".
3. Press and hold the **USB button on the unit** or **the remote** to switch to **USB mode**.
4. Use the **Arrow/OK** buttons to select and play content from the connected USB drive.



Line In (3.5mm Audio Input)

Required: 3.5 mm audio input cable (not included).


1. Connect a 3.5mm audio cable to the **Line In Input** on the side of the unit and the **audio output/headphone jack** on an audio device.
2. Power the unit on and press the **Source** button to switch to "Line In".
3. Use the native controls on the connected device to play your audio through the unit.





Bluetooth Wireless

Pairing & Playing Audio

After initial pairing, the unit will stay paired unless unpaired manually by the user or erased due to a reset of the device. If your device should become unpaired or you find it is unable to connect, repeat the steps listed here.

1. Power the unit on and press the **Source** button to select  (Bluetooth). The **pairing indicator** on the display will begin flashing slowly.
2. Hold the **Pair button** to begin pairing. The **pairing indicator** will begin quickly flashing blue. *When pairing, remain within 3 feet of the unit.*
3. Using the controls on your Bluetooth device, scan for and select **IKTD1037S** in your Bluetooth settings to pair. If your device requests a password, enter the default password **0000**. *Refer to the user's manual for your specific device for instructions on pairing and connecting Bluetooth devices.*
4. When successfully paired, the **pairing indicator** will turn solid and an audible chime will sound from the unit.
5. Use the controls on the connected device to select and begin playing audio. Audio played through the connected Bluetooth device will now be heard through the speaker.
6. Use the controls on the unit or the connected device to play, pause, and adjust volume.

Speakerphone

1. When a call is received, a ringtone will sound through the unit.
2. Press the  button to accept the call, or accept the call using the controls on the connected phone.
3. The incoming call received through the device will now be heard through the speaker.
4. To end the call, press the  button or end the call using the controls on the connected device.

FM Radio

Radio Reception

An FM receiver is built into the unit. To improve radio reception, adjust the position of the unit.

Tuning the FM Radio

1. Press the **Power** button to turn the under cabinet music system on.
2. Press the **Source** button to switch to "**Rd**" (**FM Radio Mode**).
3. Press the **Skip/Tune** buttons to tune the radio manually. Press and hold the **Skip/Tune** button to scan for available stations.

Saving and Playing a Station as a Preset

1. Tune to the desired station.
2. Press the **Mem** button, the preset number will appear on the display.
3. Press the **M +/-** buttons to adjust to the desired preset number.
4. Press the **Mem** button to save the current radio station to the selected preset.
5. Press the **M +/-** buttons to cycle through preset radio stations.

DVD & CD

Loading and Playing a DVD/CD

Note: This unit is not compatible with MP3 CDs.

1. Press the **Source** button to select "**DVD**".
2. Press the **open/close** button to open the Disc Tray and place a disc into the tray, label side facing up.
3. Press the **open/close** button to close the Disc Tray
4. Use the controls on the remote or the unit to play, pause, adjust volume, etc.

Programming a DVD or CD

1. While a DVD or CD is playing, press the **Program** button on the remote.
2. Using the **Number Keypad** enter in the chapters or tracks in the order you want them to play.
3. Highlight the on-screen **Play** button using the **Arrow** buttons and press **OK**.
4. The programmed chapters and tracks will now play in the designated order.
5. To cancel a program, press the **Stop** button twice.

Clock & Timer

Setting the Clock

1. With the power off, press and hold the **Clk Set/Mem** button. The hour on the display will begin flashing.
2. Press the **Skip/Tune** buttons to set the hour.
3. Press the **Clk Set** button again, the minutes on the display will begin flashing.
4. Press the **Skip/Tune** buttons to set the minutes.
5. Press the **Clk Set** button to finish setting the time, or wait for the display to stop flashing.

Setting the Timer

1. Press the **Timer** buttons to adjust the timer in increments of 10 min.
2. Wait for the display to stop flashing.
3. After the set time has expired, the under cabinet music system will sound an alarm.

Disabling the Timer

To cancel the alarm after it has sounded, press the **Power** button.

To cancel the timer before the alarm has sounded, press the **Timer** button until the display reads **00** and the timer light is no longer lit.

Company Information

Contact Information

Website: www.iLiveElectronics.com

Email Support: prodinfo@dpiinc.com

Email Parts: partsinfo@dpiinc.com

Phone Support: 1-888-999-4215

Warranty

For Warranty Information and the most up-to-date version of this User's Guide, go to:

www.iLiveElectronics.com

International Support

To download this User's Guide in English, Spanish, and French, or to get answers to frequently asked questions, visit the support section at: www.iLiveElectronics.com

Para descargar este Manual del Usuario en inglés, español y francés, o para obtener respuestas a preguntas frecuentes, visite la sección de apoyo en: www.iLiveElectronics.com

Pour télécharger ce guide de l'utilisateur en anglais, espagnol ou français, ou pour obtenir des réponses à des questions fréquemment posées, consultez la rubrique d'assistance sur: www.iLiveElectronics.com



***Protect for Today
Sustain for Tomorrow***

Copyright © 2017 Digital Products International (DPI, Inc.) All other trademarks appearing herein are the property of their respective owners. Specifications are subject to change without notice.