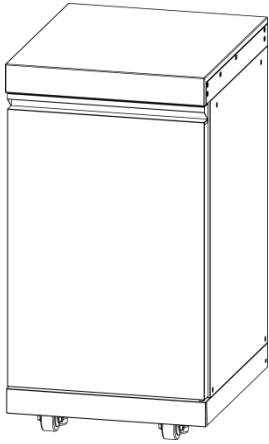
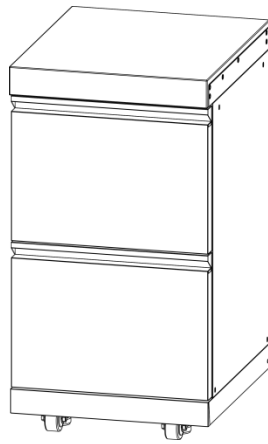


---

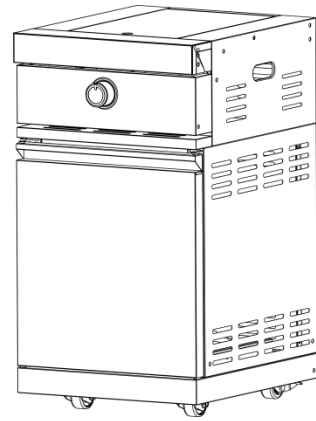
# MODULAR SERIES



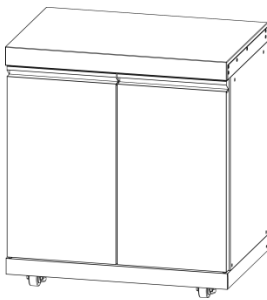
**Single Door Cabinet**



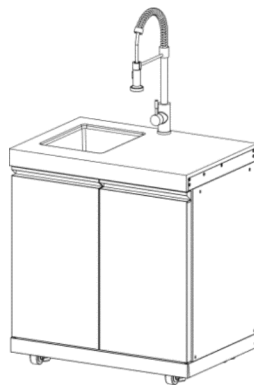
**Double Drawer Cabinet**



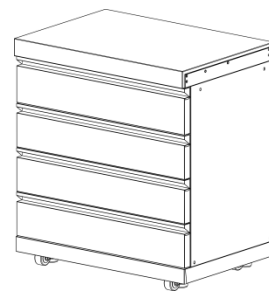
**Sear Station Cabinet**



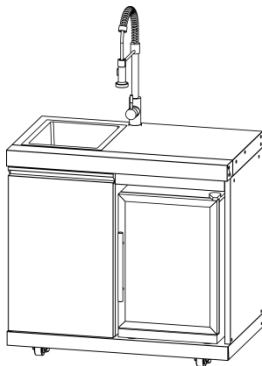
**Double Door Cabinet**



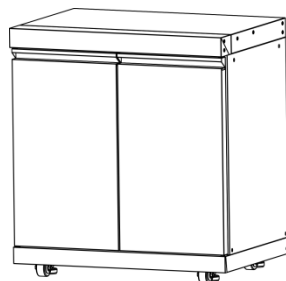
**Double Cabinet with Sink**



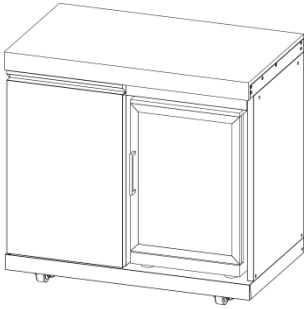
**4 Drawer Cabinet**



**Model No.: DRA-3048**  
**Black Single Fridge and**  
**Sink Cabinet**



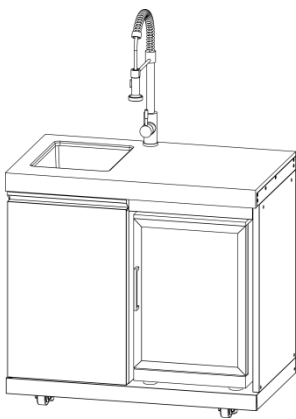
**Model No.: DRA-3049**  
**Black Double Cupboard Cabinet**



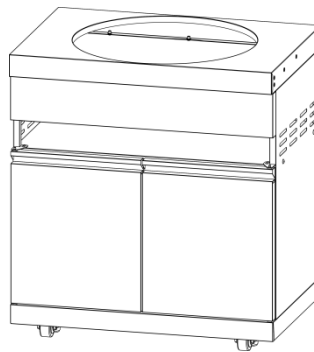
**Double Cabinet with Single Fridge**



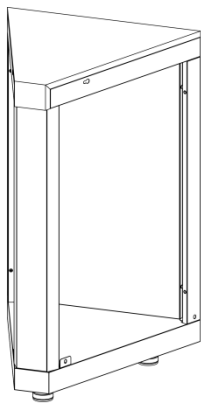
**Double Cabinet with Two Single Fridges**



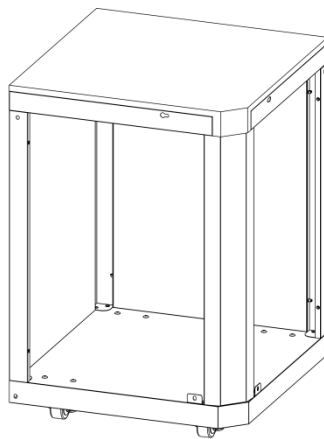
**Double Cabinet with Sink and Single Fridge**



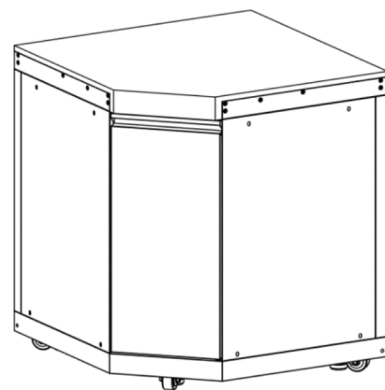
**Kamado Egg Barbecue Cabinet**



**45 Degree Cabinet**



**90 Degree Cabinet**



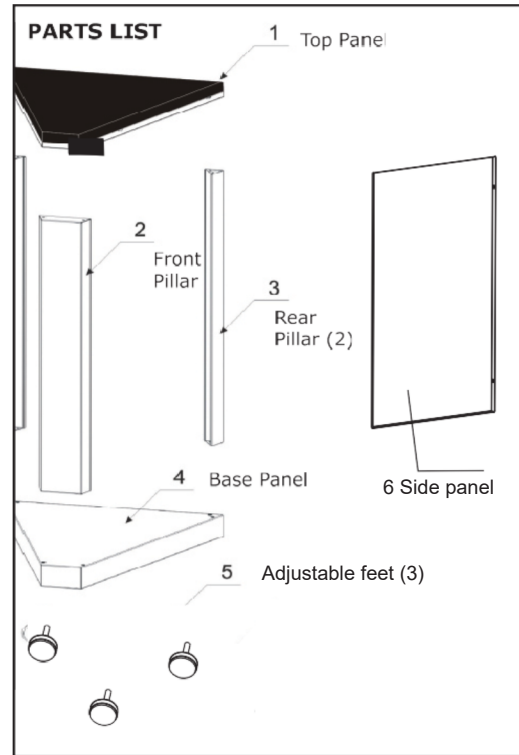
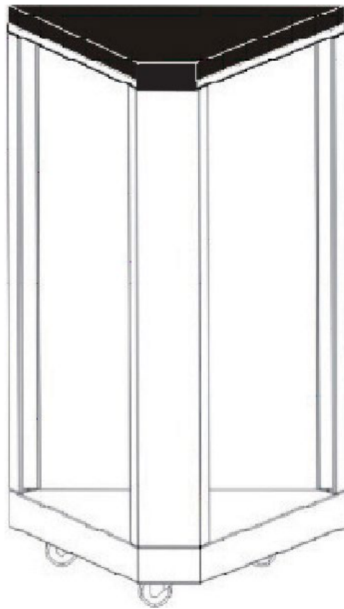
**90 Degree Cabinet & Single Door**

**TOOLS REQUIRED**

Standard Phillips-head screw driver.

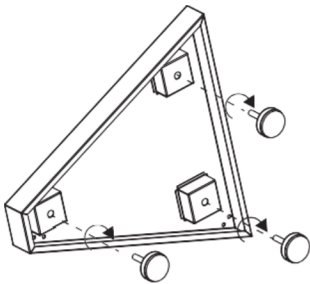
**!** **IMPORTANT:** Remove all packing and transit protection before assembly.  
**CAUTION:** Ensure no packing material is left in BBQ before lighting.

# ASSEMBLY INSTRUCTIONS-45 Degree Corner Module



## ASSEMBLY

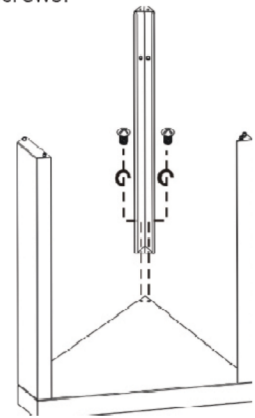
1. Attach the 3 feet to the base panel.



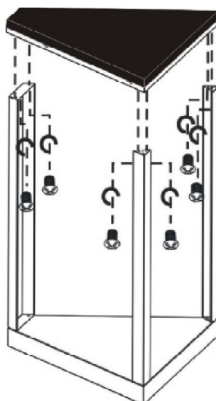
2. Attach the front pillar to the base using 2 screws.



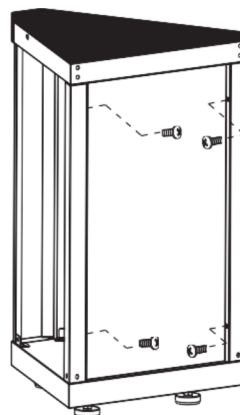
3. Attach the other two pillars to the base panel using 4 screws.



4. Attach the top panel using 6 screws and washers.



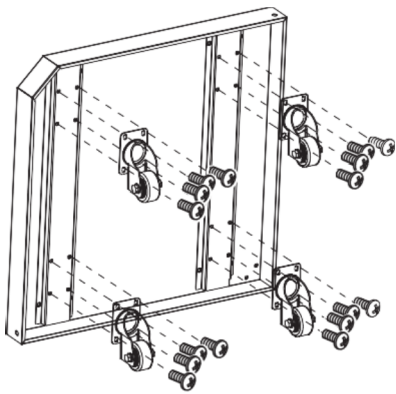
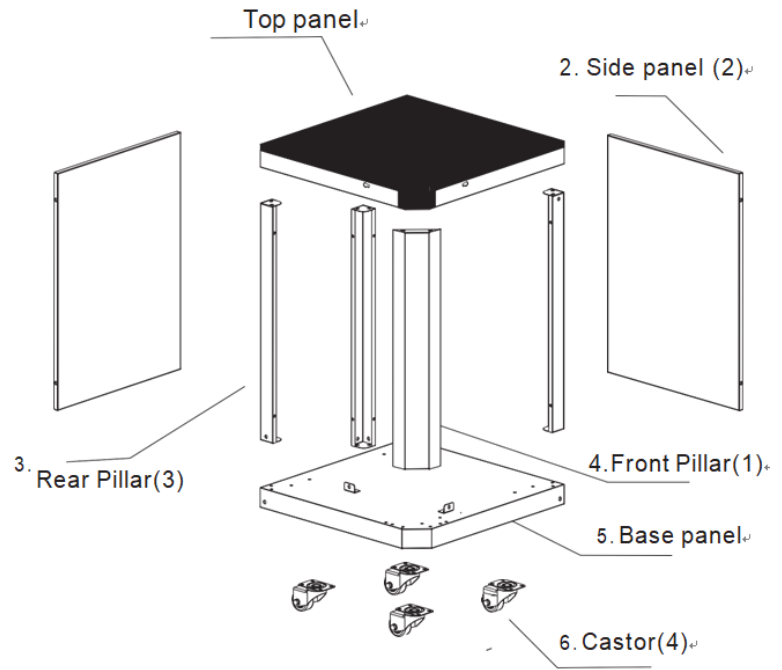
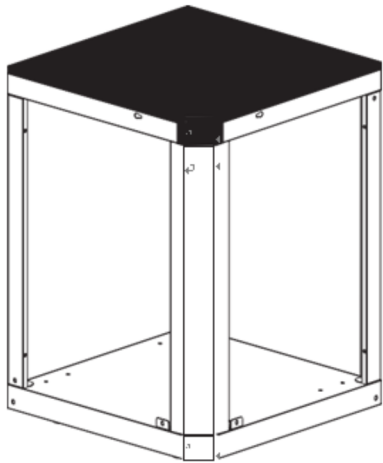
5. Fix the side panel by using 4 pcs of M5X10 screws



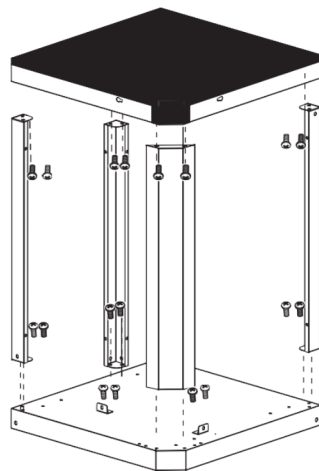
M5x10  
4PCS



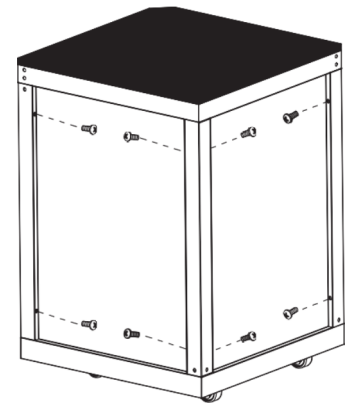
# ASSEMBLY INSTRUCTIONS-90 Degree Corner Unit



M8X16  
16PCS



M5X10  
18PCS



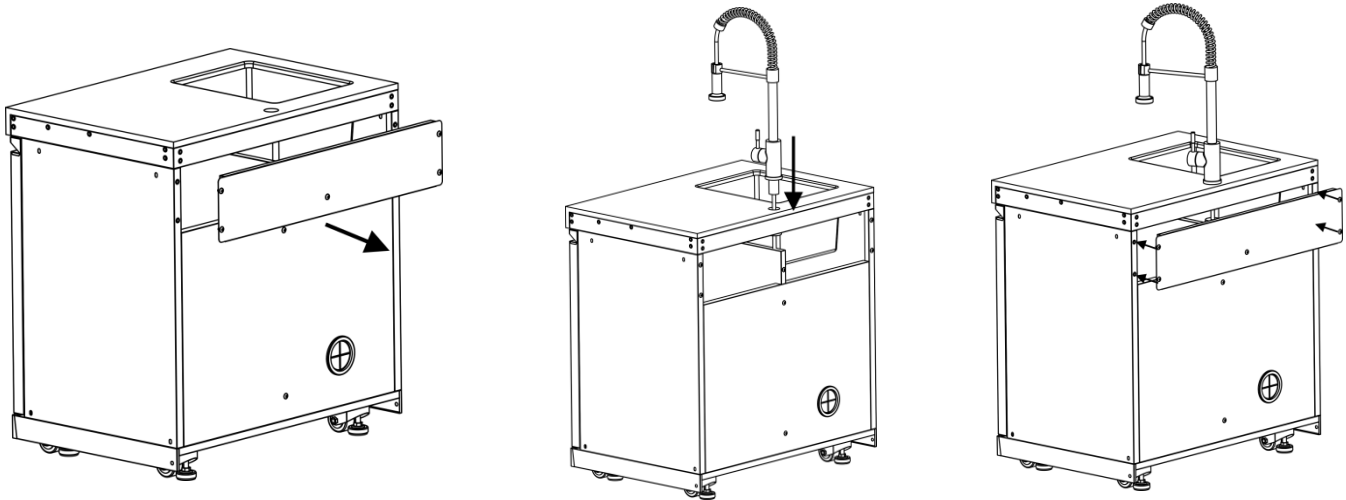
M5X10  
8PCS

---

## ASSEMBLY INSTRUCTIONS - Fitting Tap to Sink Unit

For all cabinets with a sink and tap follow these instructions

Remove the rear, top panel four screw to gain access to the cabinet, install the water tap & replace panel.

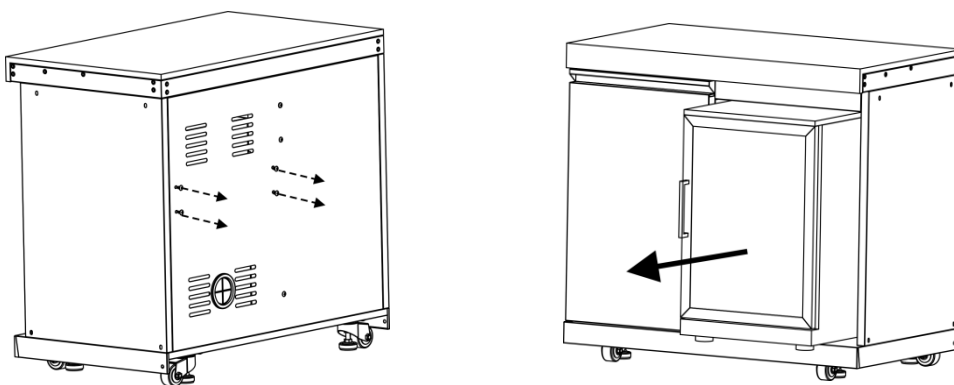


For cabinets with a fridge, the fridge will need to be removed prior to connection to other modular cabinets

Remove the four screws at the back of the cabinet securing the fridge into the cabinet. From the front slide the fridge forward out of the cabinet taking care to support fully as lowered onto a firm level surface. Feed the power cable back through the cabinet to release it.

Follow connection steps to connect the fridge cabinet to the other cabinet, then follow in reverse the instructions to install the fridge back into the cabinet.

It is advised that a qualified electrical install any power supply to the fridge and it is protected by a circuit breaker.



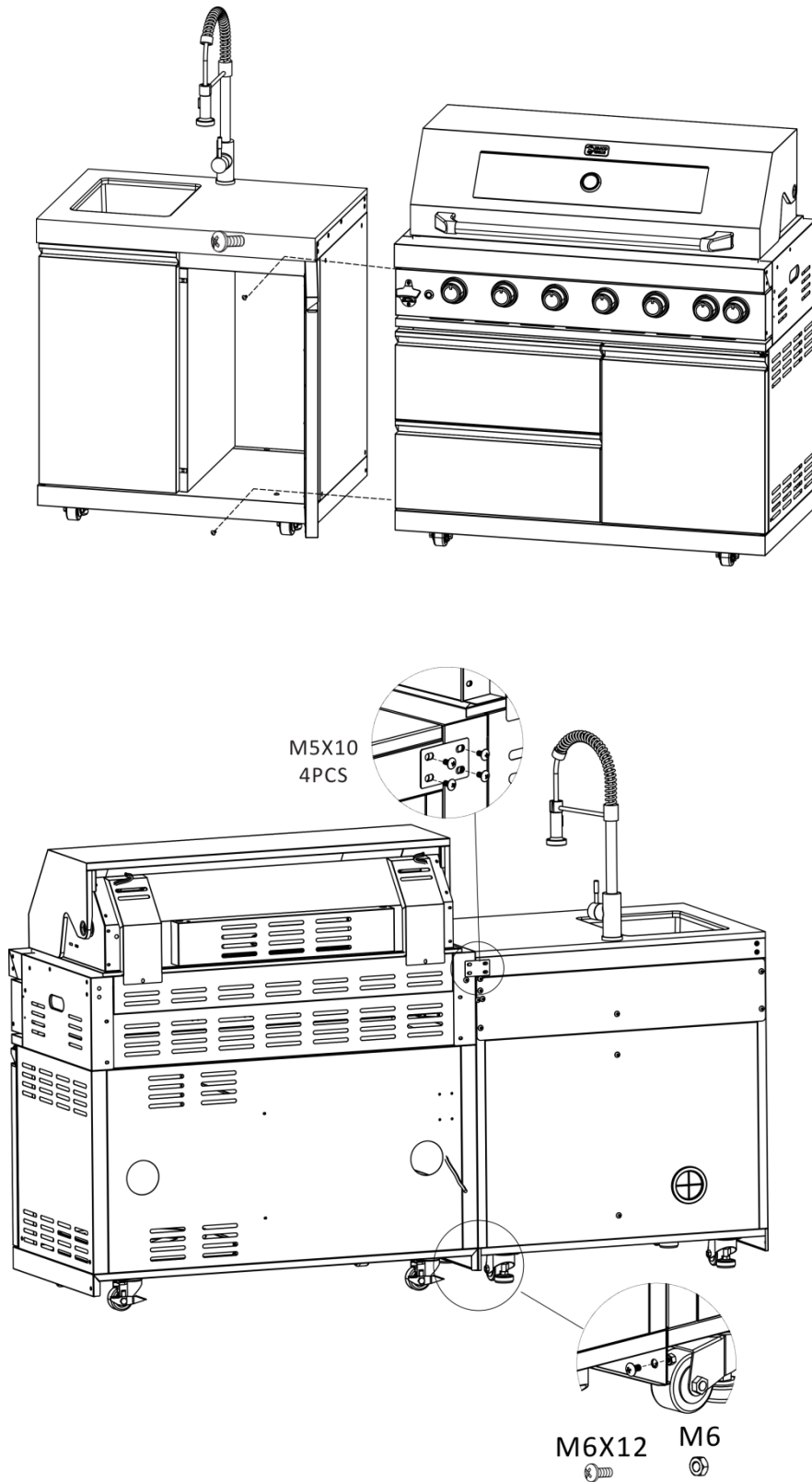
---

## ASSEMBLY INSTRUCTIONS – Connecting Cabinets

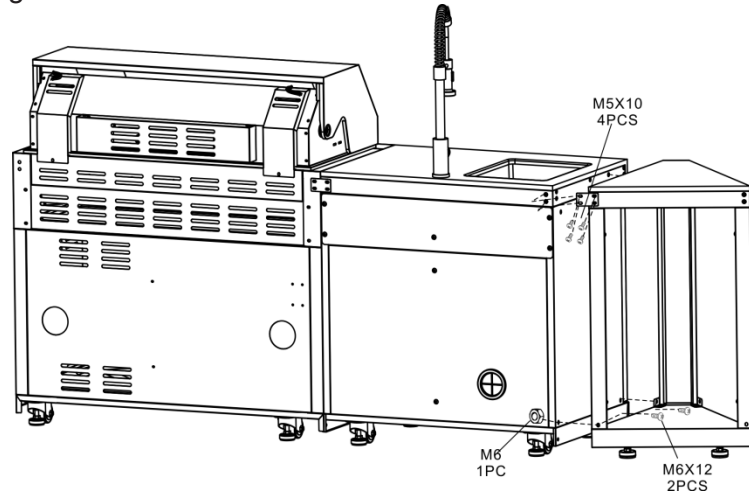
Draco modular cabinets can be arranged in a format to suit an individual preferred layout or be set in a design plan to create the perfect outdoor kitchen.

Below is an overall guide as to how to connect cabinet the ranges of cabinets together.

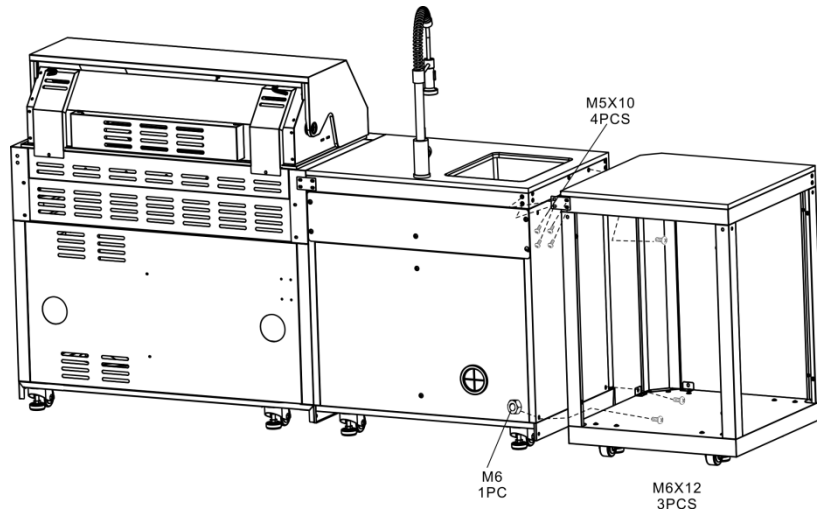
Connecting double cabinets, example shows the sink and fridge cabinet with the fridge removed ready for connecting.



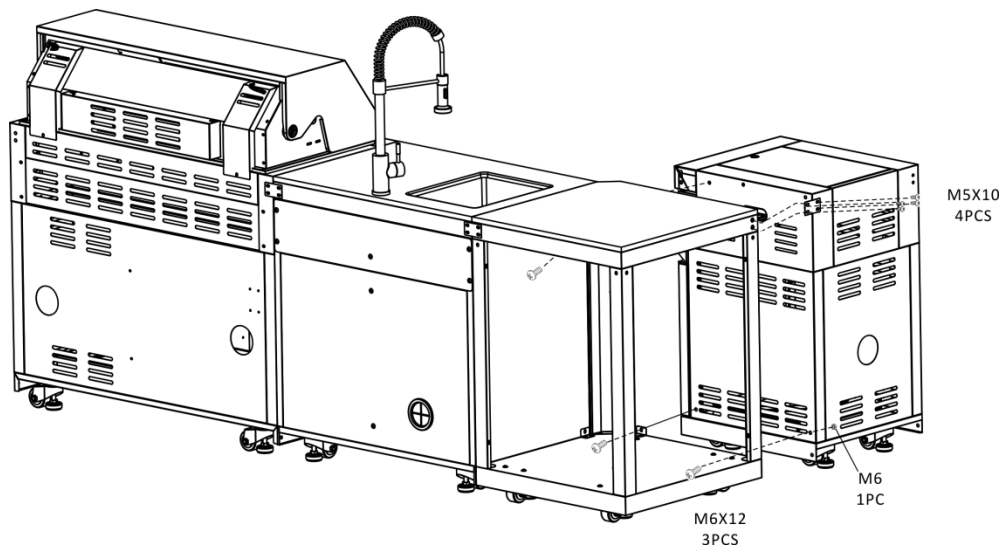
Connecting the 45 degrees corner unit.



Connecting the 90 degrees corner unit.

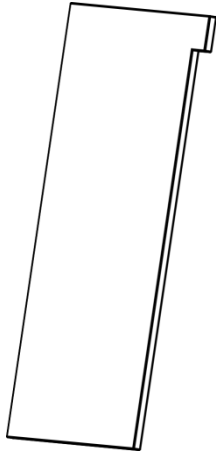


Connecting the sear station cabinet

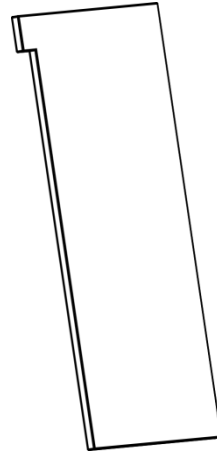


---

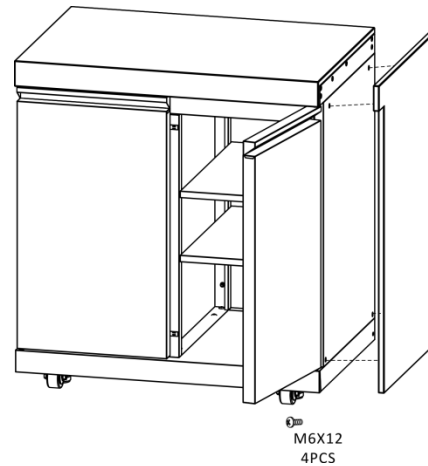
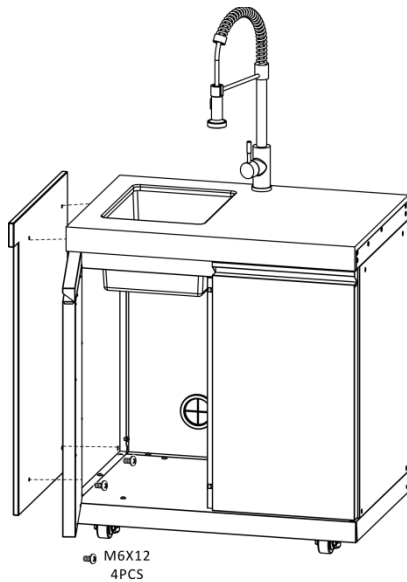
## Decorative Granite Side Panel Installation



Model No.: DRA-0144  
Draco Grills Granite Side panel -left



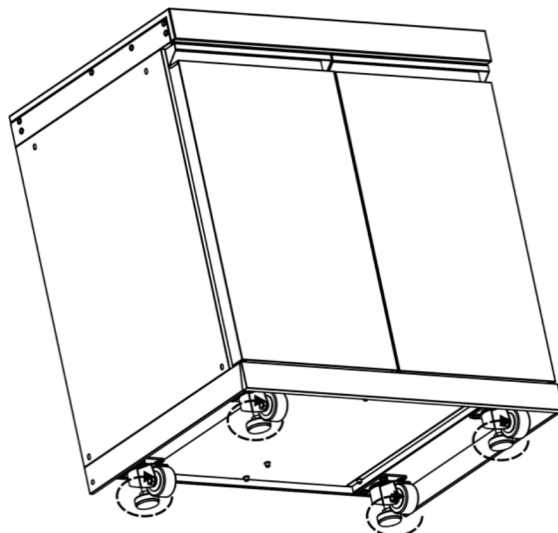
Model No.: DRA-0143  
Draco Grills Granite Side panel -right



Add high strength bonding glue to each side panel and fix to the cabinet side using four screws.

## ASSEMBLY INSTRUCTIONS – Levelling Cabinets

During installation or once all cabinets are joined together, they can be easily levelled front to back and side to side using the four adjustable feet.



## Product Description Reference

Description	Stainless Steel	Black Stainless Steel	Description	Black Painted Steel
Double Cabinet with Single fridge and Granite Top			Double Cabinet with Single Fridge and Stainless Steel Top	
Double Cabinet with Sink and Granite Top			Double Cabinet with Sink and Stainless Steel Top	
Double Cabinet with Two Single Fridges and Granite Top			Double Cabinet with two Single Fridges and Stainless Steel Top	
90 Degree Corner Cabinet with Granite Top			90 Degree Corner Cabinet with Stainless Steel Top	
45 Degree Corner Cabinet with Granite Top			45 Degree Corner Cabinet with Stainless Steel Top	
Sear Station Cabinet with Granite Top			Sear Station Cabinet with Stainless Steel Top	
Double Door Cabinet with Granite Top			Double Door Cabinet with Stainless Steel Top	
Double Cabinet with Sink and Single Fridge with Granite Top			Double Cabinet with Sink and Single Fridge with Stainless Steel Top	
4 Drawer Cabinet with Granite Top			4 Drawer Cabinet with Stainless Steel Top	
Single Door Cabinet with Granite Top			Single Door Cabinet with Stainless Steel Top	
Double Drawer Cabinet with Granite Top			Double Drawer Cabinet with Stainless Steel Top	
90 Degree Cabinet & Single Door with Granite Top			90 Degree Cabinet & Single Door with Stainless Steel Top	
Kamado Barbecue Cabinet			Kamado Barbecue Cabinet	

## Cleaning and Care

**Stainless steel surfaces:** Stainless steel can rust if not maintain correctly. To maintain appearance, wash using a mild detergent and warm soapy water and wipe dry with a soft nonabrasive cloth after each use. Use stainless steel protection such as WD-40 on the surface to avoid rust. In areas exposed to high levels of salt air such as costal regions, rust can be a persistent problem even on Stainless Steel. Wash the surfaces regularly and use a heavy duty cover and protector spray when not in use.

**Enamel & painted surfaces:** Wipe away excess deposits and wash with warm soapy water using a soft, clean cloth.

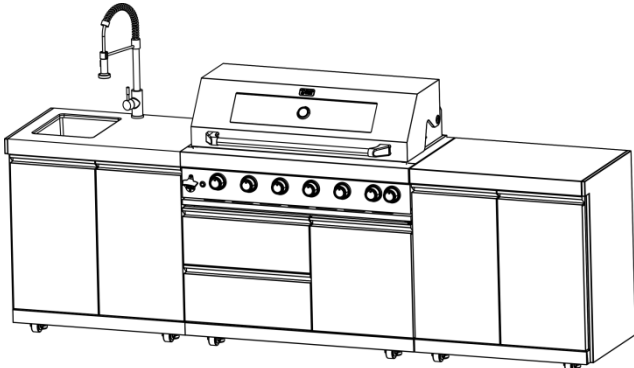
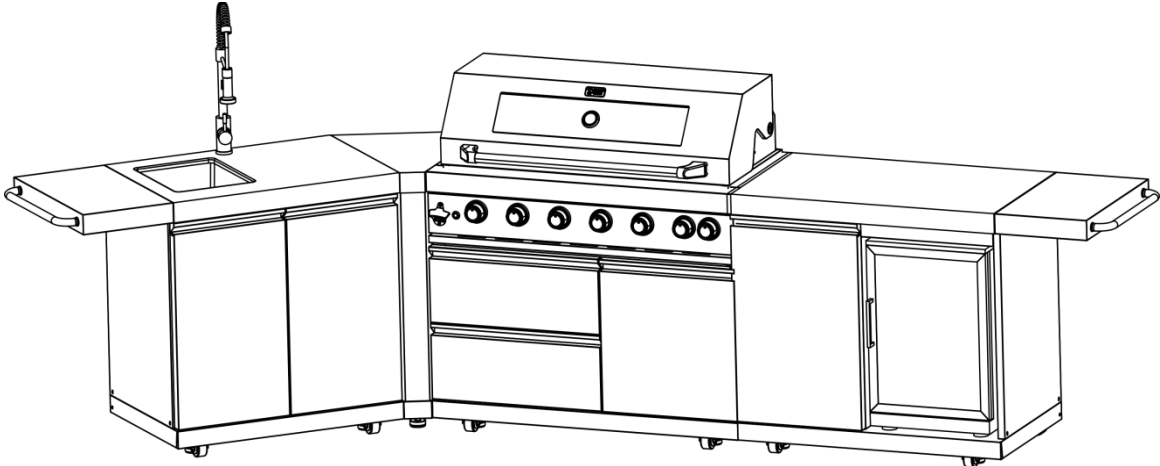
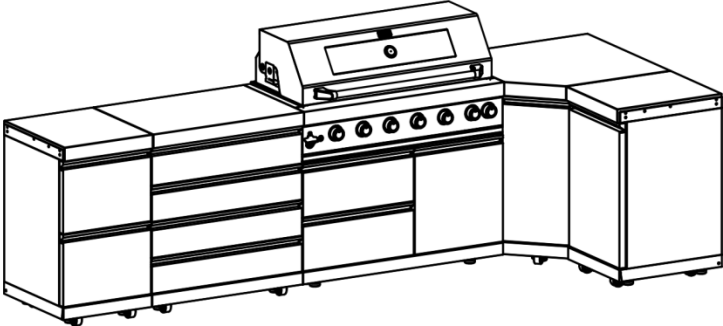
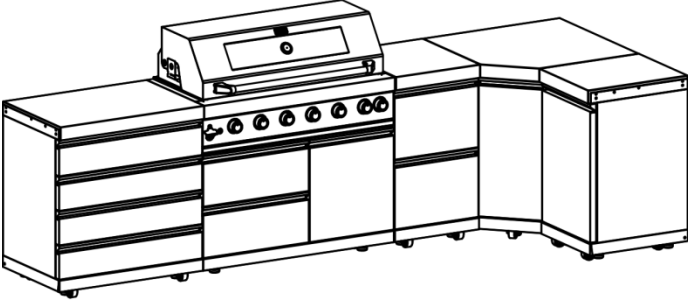
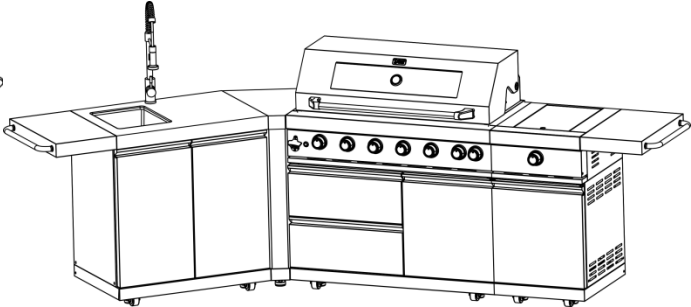
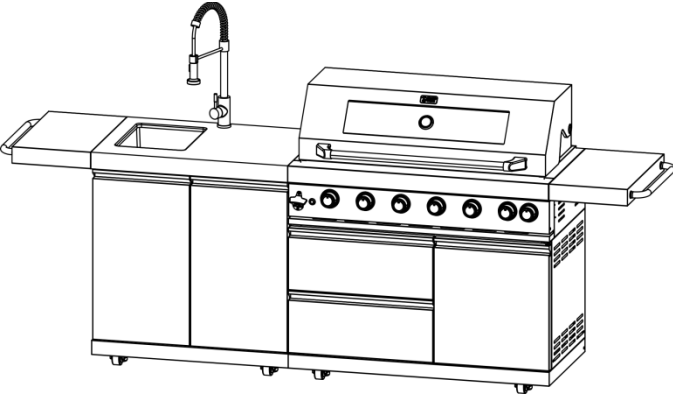
**Granite surfaces:** Wash with warm soapy water. Wipe dry with a soft cloth we recommend a microfiber cloth

**Steel surfaces:** Such as magnetic catches can **rust as they are not coated**, it is advised to regularly coat these with a protection spray such as WD-40. If you have any rust on these parts wipe clean, sand with a high-grade sandpaper and coat in WD-40.

---

**Example Outdoor Kitchen Layouts (For Reference ONLY)**

---



---

**LIMITED WARRANTY**

The DEYAO Warranty is effective from date of purchase and is limited to the repair or replacement of parts at no charge which prove to be defective as a result of a manufacturing defect under normal domestic use. There is no warranty for commercial use of DEYAO Appliances

This warranty is extended only to the original purchaser as indicated on the order placed and delivered and applies only to products sold at retail and only when used in the country where purchased. (Different types of gas used in different countries require appropriate valves, orifices, and regulators.)

**WHAT IS COVERED**

COMPONENT	Years
STAINLESS STEEL CABINET	2 Years
STAINLESS STEEL COOK BOX	2 Years
STAINLESS STEEL COOKING GRIDS	5 Years
INFRA-RED SEAR BURNER (EXCLUDING SCREEN)	1 Year
REMAINING PARTS & PAINT	1 Year

**WHAT IS NOT COVERED**

Any failures or operating difficulties due to accident, abuse, misuse, alteration, misapplication, vandalism, improper installation or improper maintenance or service, or failure to perform normal and routine maintenance, including but not limited to damage caused by insects within the burner tubes, as set out in the owner's manual.

Deterioration or damage due to misuse, severe weather conditions such as hail, hurricanes, earthquakes or tornadoes, discoloration due to exposure to chemicals either directly or in the atmosphere. Coastal regions where exposure to salt air can cause rusting.

Removal or re-installation costs. Shipping or transportation costs

Labor costs for installation and repair.

Cost of service calls.

Liability for indirect, or consequential damages.

**BURNER**

The life of DEYAO burners (made of stainless steel) depends almost entirely on proper use, cleaning, and maintenance. This warranty does not cover failure due to improper use and maintenance.

**STAINLESS COOKING GRIDS**

DEYAO cooking grids are not warranted against chipping or rusting due to mishandling. If some rust appears, remove the rust with a scrub pad and coat the grid with cooking oil.

**VAPORIZATION SYSTEMS**

DEYAO are designed for use with a stainless-steel vaporization system. Use of any other product will invalidate the warranty.

**PURCHASE RECORD & WARRANTY DETAIL**

Name		Model #	
Address		Serial #	
Post Code		Date of purchase	
Phone #		Name of dealer	
Mobile #			