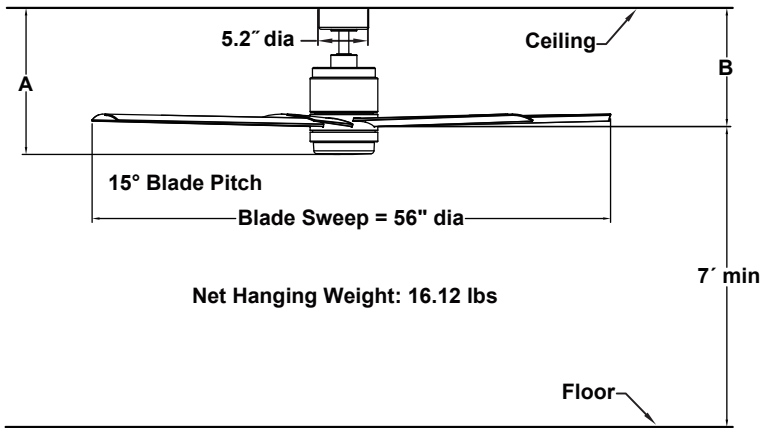
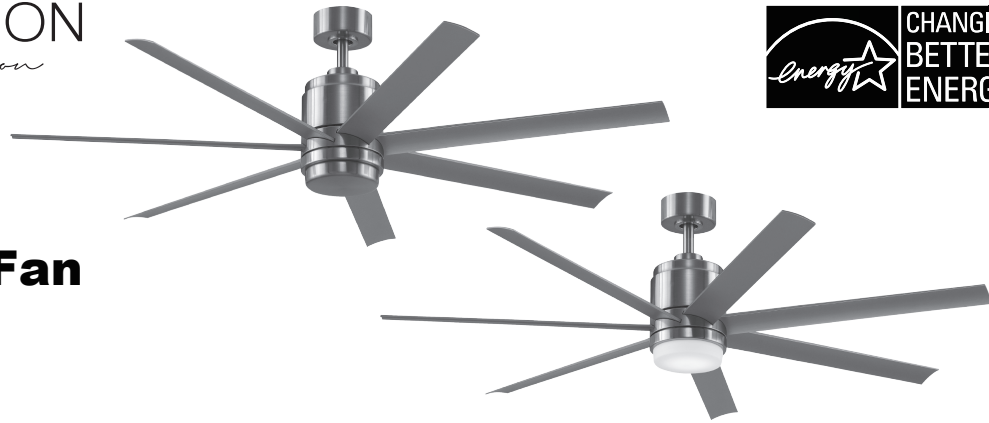


**BLITZ™**

**LP8377\*\***  
**56" Ceiling Fan**



	A	B
Fan w/4.5" downrod	15.44"	12.52"
Fan w/12" downrod	22.94"	20.02"
Fan w/18" downrod	28.94"	26.02"
Fan w/24" downrod	34.94"	32.02"
Fan w/36" downrod	46.94"	44.02"
Fan w/48" downrod	58.94"	56.02"
Fan w/60" downrod	70.94"	68.02"
Fan w/72" downrod	82.94"	80.02"

**INSTALLATION REQUIREMENTS:**

Fan must be attached to a securely anchored electrical junction box capable of withstanding a load of at least 35 lbs.

**ELECTRICAL REQUIREMENTS:**

Requires a grounded electrical supply line of 120 volts AC, 60 Hz, 15 amp circuit.

**MOTOR SPECS:**

100 x 30 DC motor is designed for optimal performance with this fan. Fan is Energy Star Rated.

**BLADES:**

A set of seven 26" composite blades is included.

**CONTROL OPTIONS:**

TR205DS hand-held remote control is included. Push button remote control with 16 fan speeds, fresh air, reverse, infinite light levels, fan/light timer, home away, safe exit and off button. Optional TW206D wall control is available— sold separately. Instructions is provided with each control.

**LIGHTING OPTIONS:**

One 18-watt LED included.

**DOWNROD OPTIONS:**

Fan comes with a 1" Dia. x 4.5" downrod (DRT1-45). Optional downrods are available in 12", 18", 24", 36", 48", 60" and 72". For installations requiring a longer downrod, a downrod coupler is available. Fan must use 12" or longer downrod, and can be mounted on a sloped ceiling up to 19°. Optional sloped ceiling kits (SCK1-52) are available for up to 42°. Optional close-to-ceiling kit is available as well—sold separately. Call technical support for more information.

**LOCATION USE:**

Fan is rated for dry and damp locations.

Available Finishes	
LBN	Brushed Nickel with Gray Blade and Opal Frosted Glass/Steel Cap
LGR	Matte Greige with Weathered Wood Blade and Opal Frosted Glass/Steel Cap
LMW	Matte White with Matte White Blade and Opal Frosted Glass/Steel Cap

Airflow / Energy Efficiency Info (120V)					
Fan Speed	Max RPM	CFM	CFM / Watts	Amps	Watts
High (16 <sup>th</sup> )	135	6764	177	0.59	38
Med (9 <sup>th</sup> )	87	4384	487	0.15	9
Low (1 <sup>th</sup> )	29	1257	625	0.04	2

Energy Guide FTC			
Power (Watt)	Total Air Delivery (CFMave)	Estimated Yearly Energy Cost (\$)	Ceiling Fan Efficiency (CFM/W)
23	4808	7	206

Light Bulb Information (120V)					
Bulb Type	Watts	QTY	Lumens Amount	Color Temp	CRI
LED	18	1	1500	3000	90%