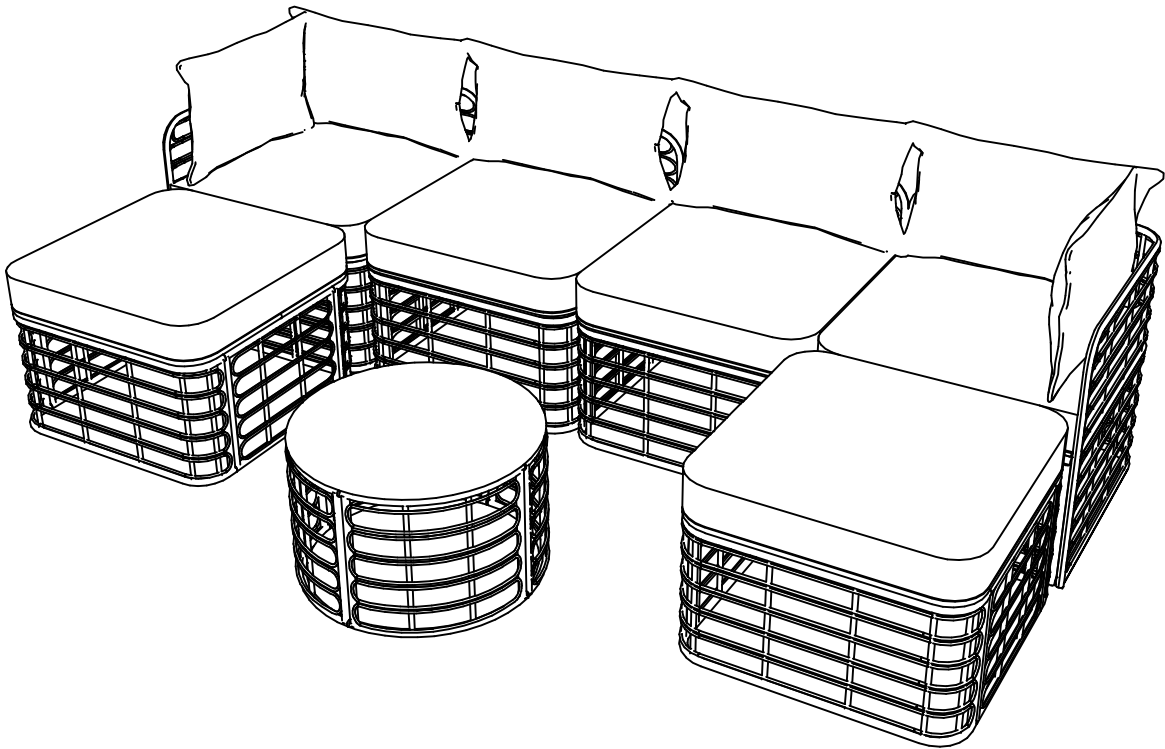


ASSEMBLY INSTRUCTION



WF316729

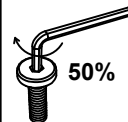
WF316730

WF316731

Notice:

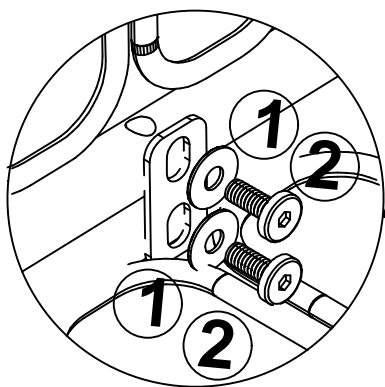
1. 50% Tighten before fixing all screws, Allen wrench is recommended instead of an electric drill.
2. Place the item on a flat ground to adjust and make sure it remains stable.
3. Tighten up all screws with tools gradually.
4. If the screws are not aligned with holes during assembly, please loosen all the other screws to 50% and continue the assembly process.
5. If the item is not stable, please loosen all the screws, adjust it on a flat ground and tighten up all screws again.
6. Note : If one or some screws are fully tightened during assembly, chances are the others will not be aligned with holes. In addition, all the holes are designed to be relatively larger to provide more space for the adjustment of the screws.

Step 7



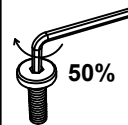
x2

E



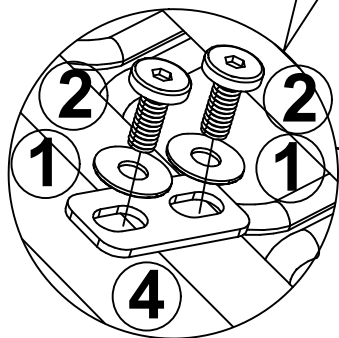
Ex2 ①x12 ②x8 ③x4 ④x4

Step 8



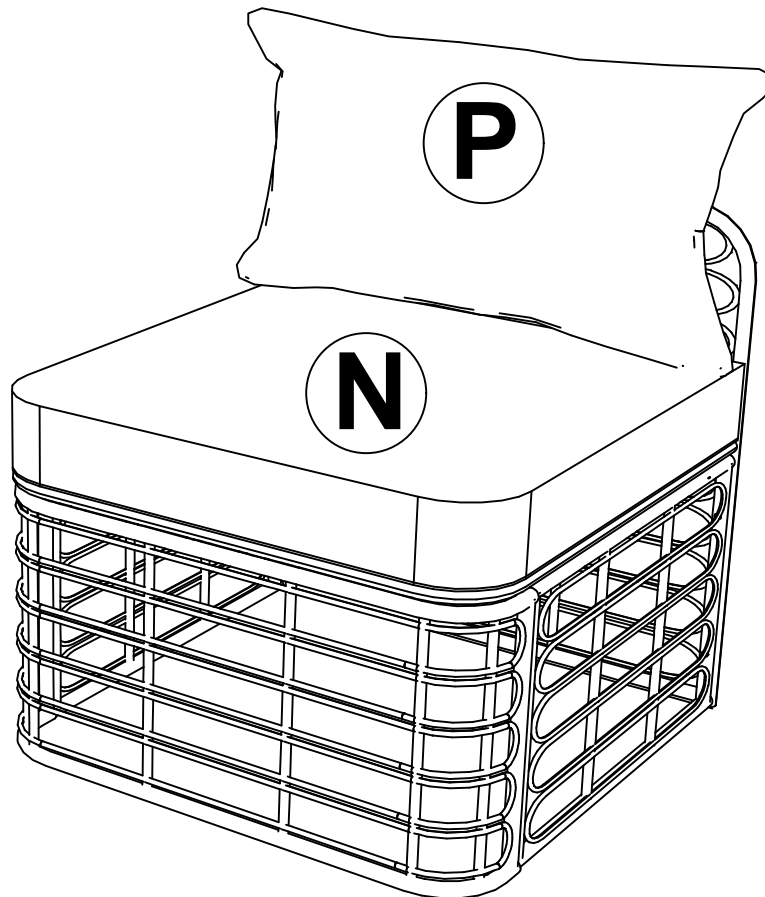
x2

H



Hx1 ①x10 ②x8 ③x2 ④x4

Step 9



x2

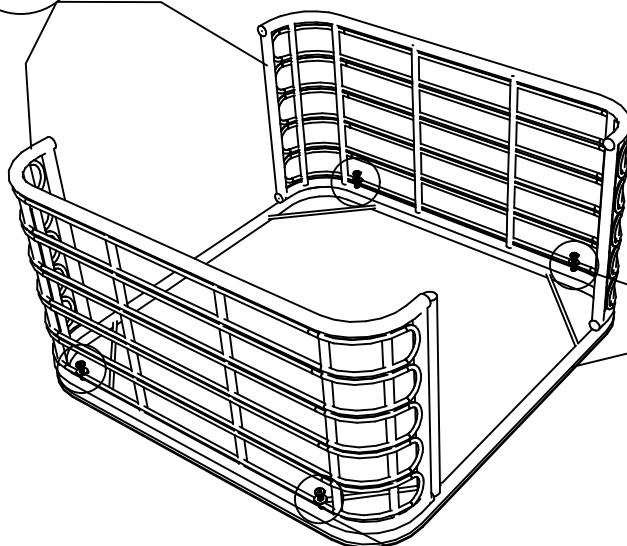
Nx1 Px1

Step 10

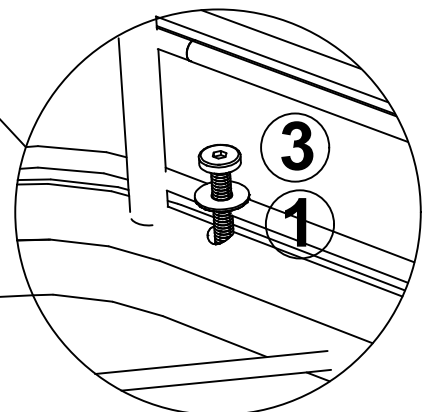


x2

H

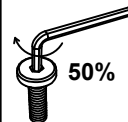


I



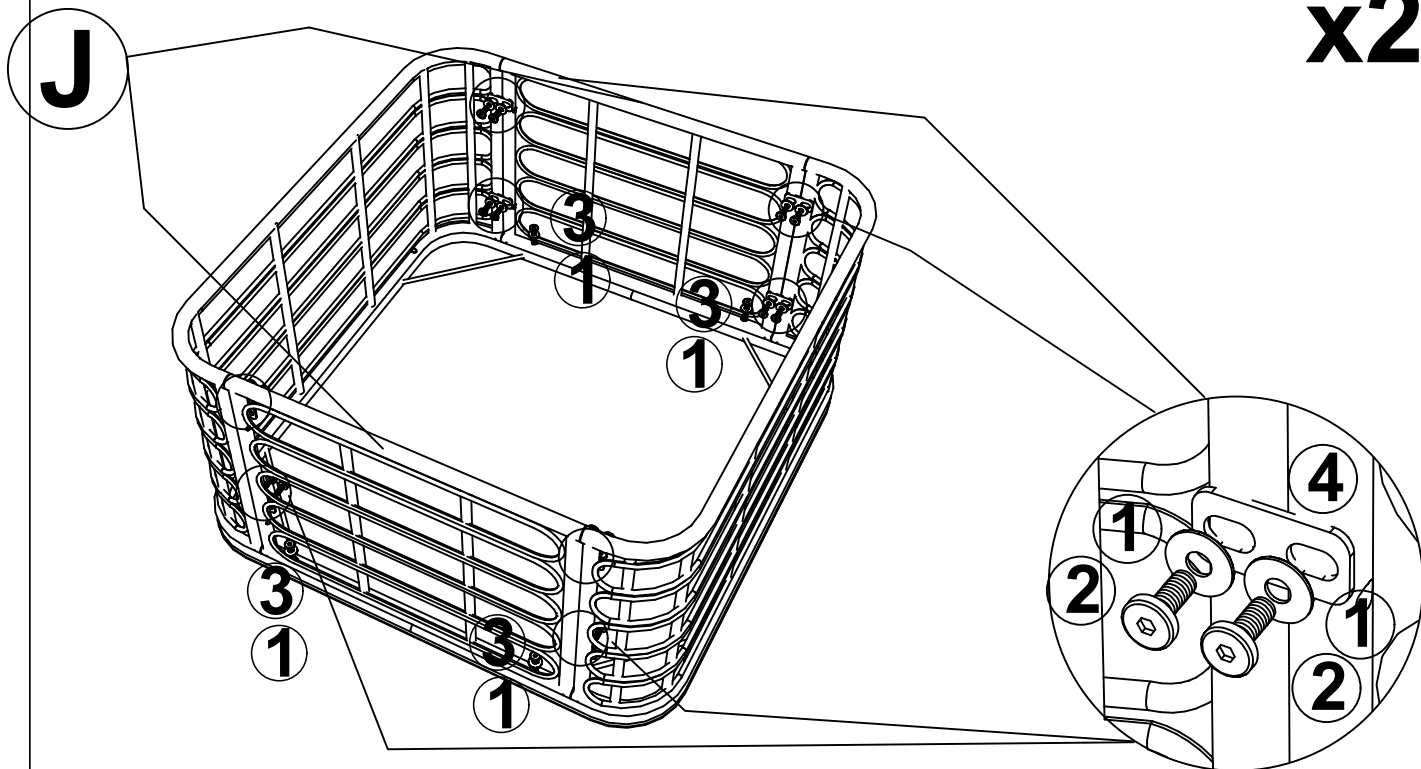
Ix1 Hx2 ①x4 ③x4

Step 11



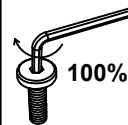
50%

x2



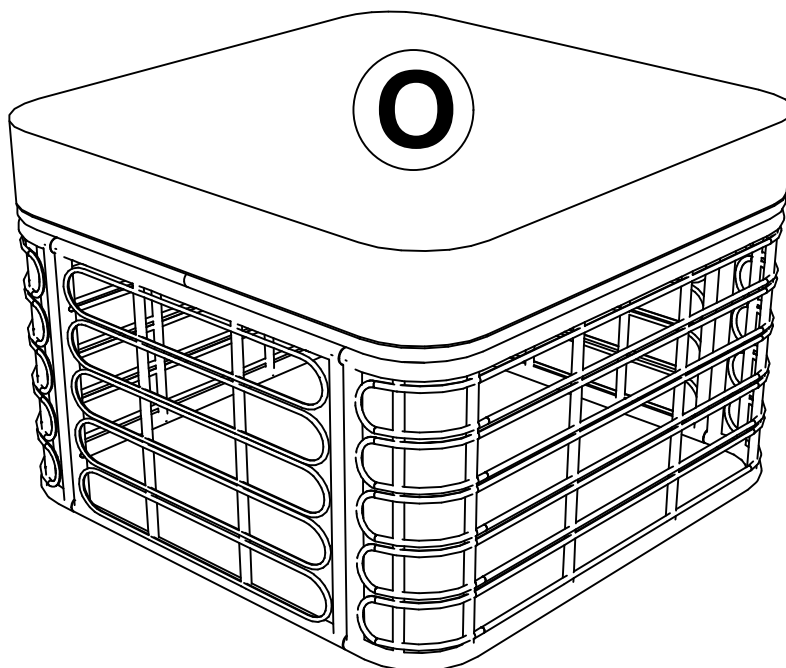
Jx2 ①x20 ②x16 ③x4 ④x8

Step 12



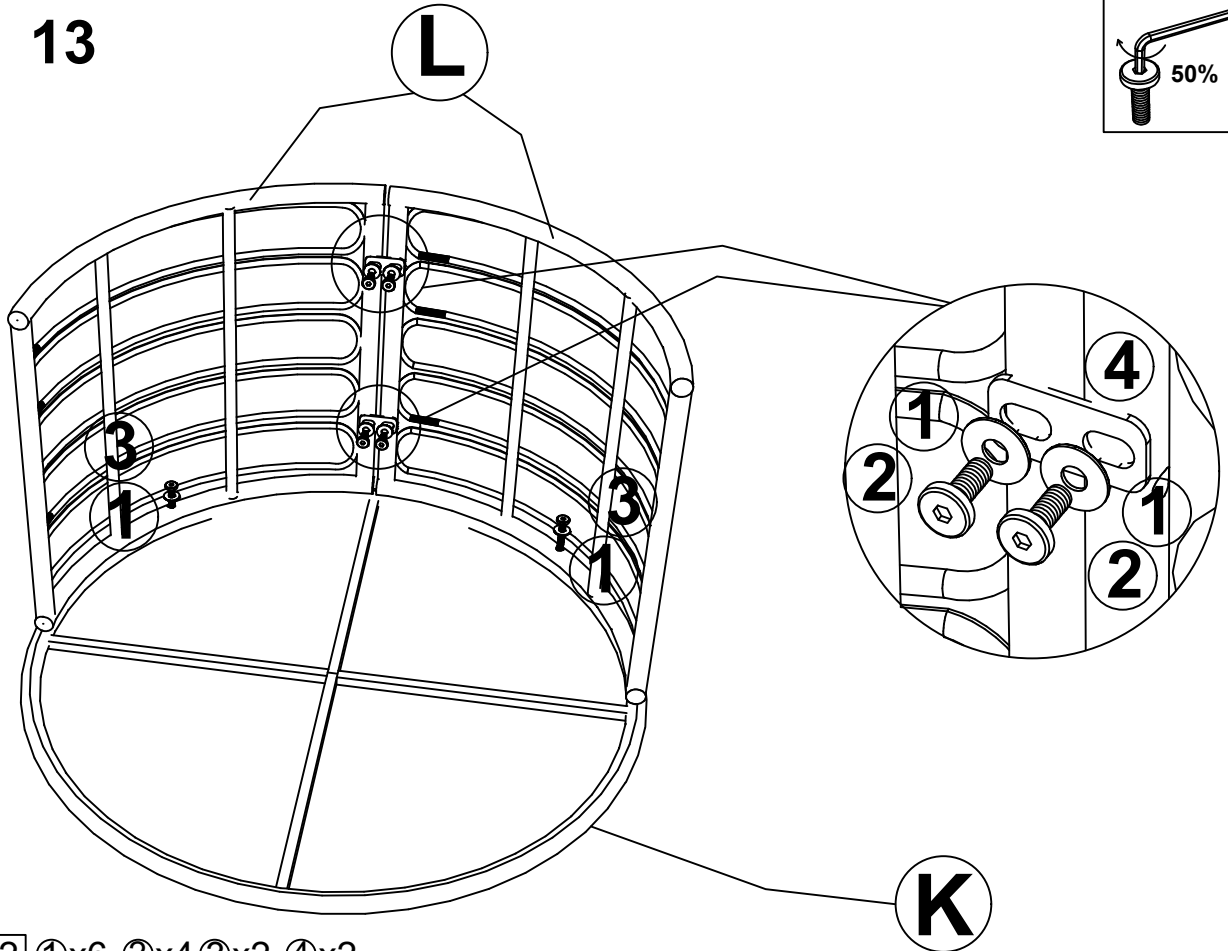
100%

x2



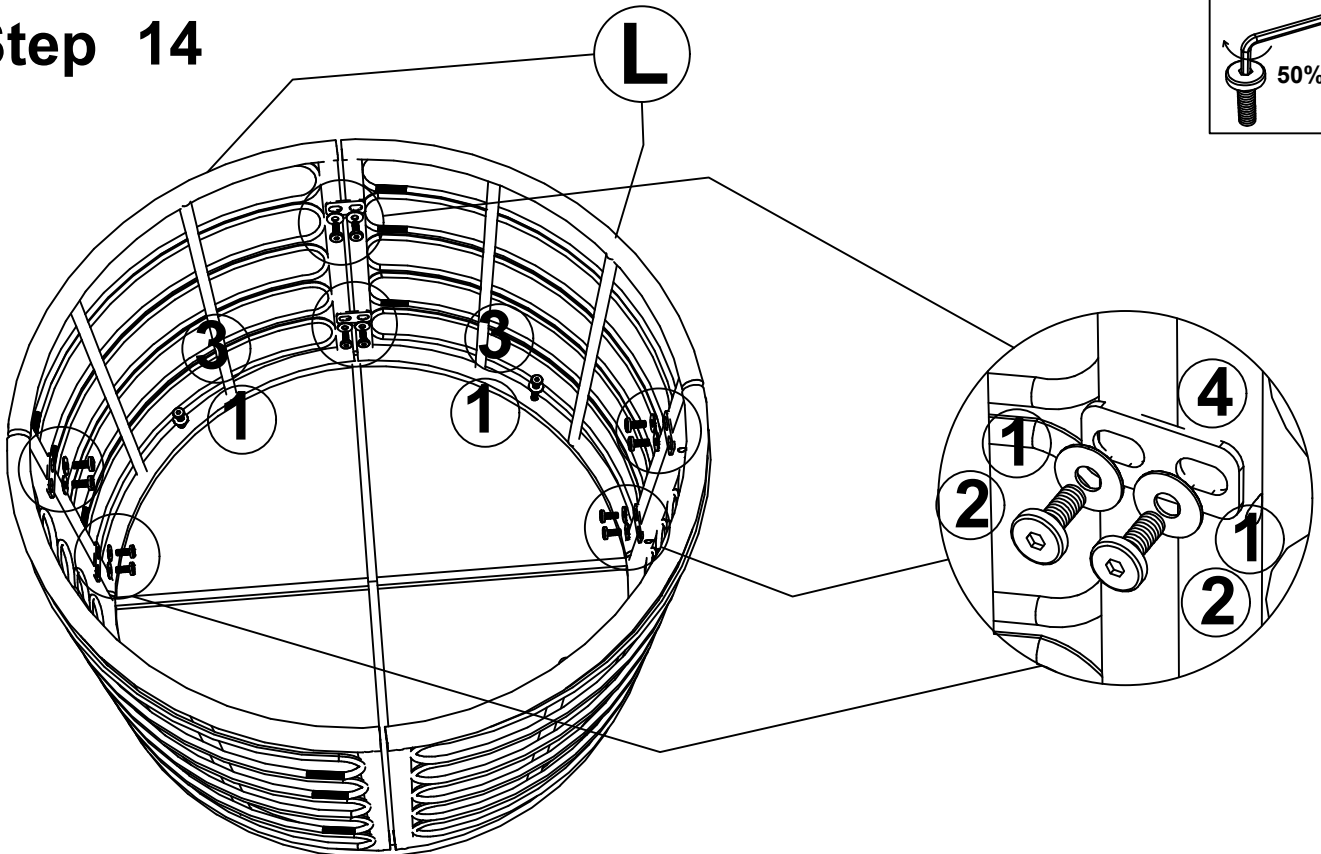
Ox1

Step 13



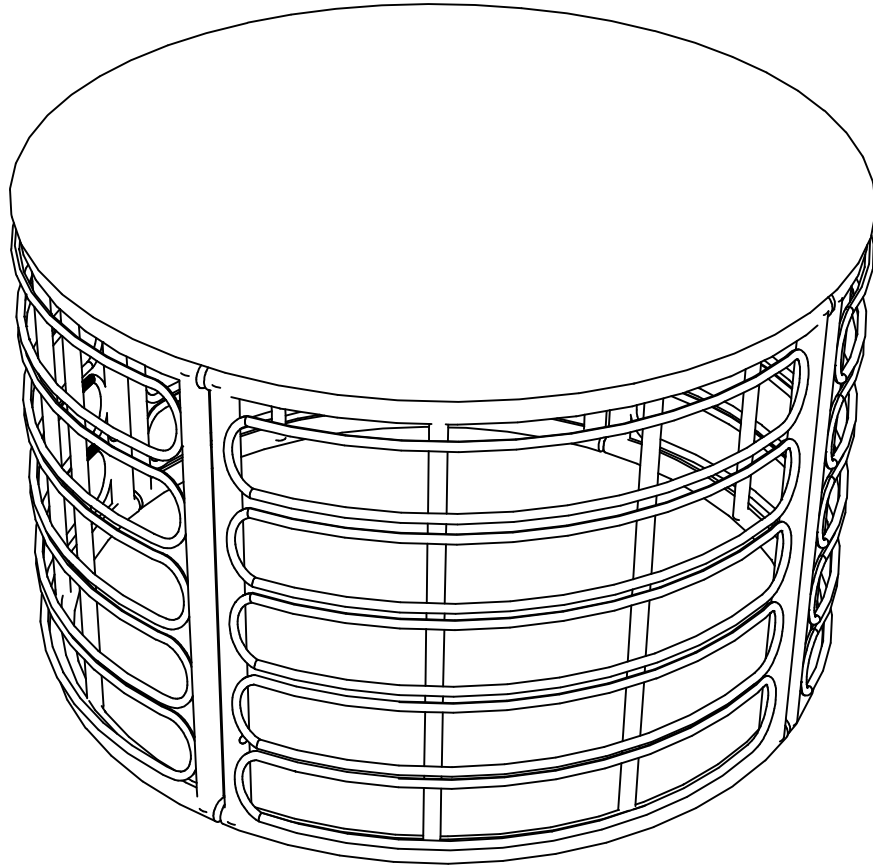
Kx1 Lx2 ①x6 ②x4 ③x2 ④x2

Step 14

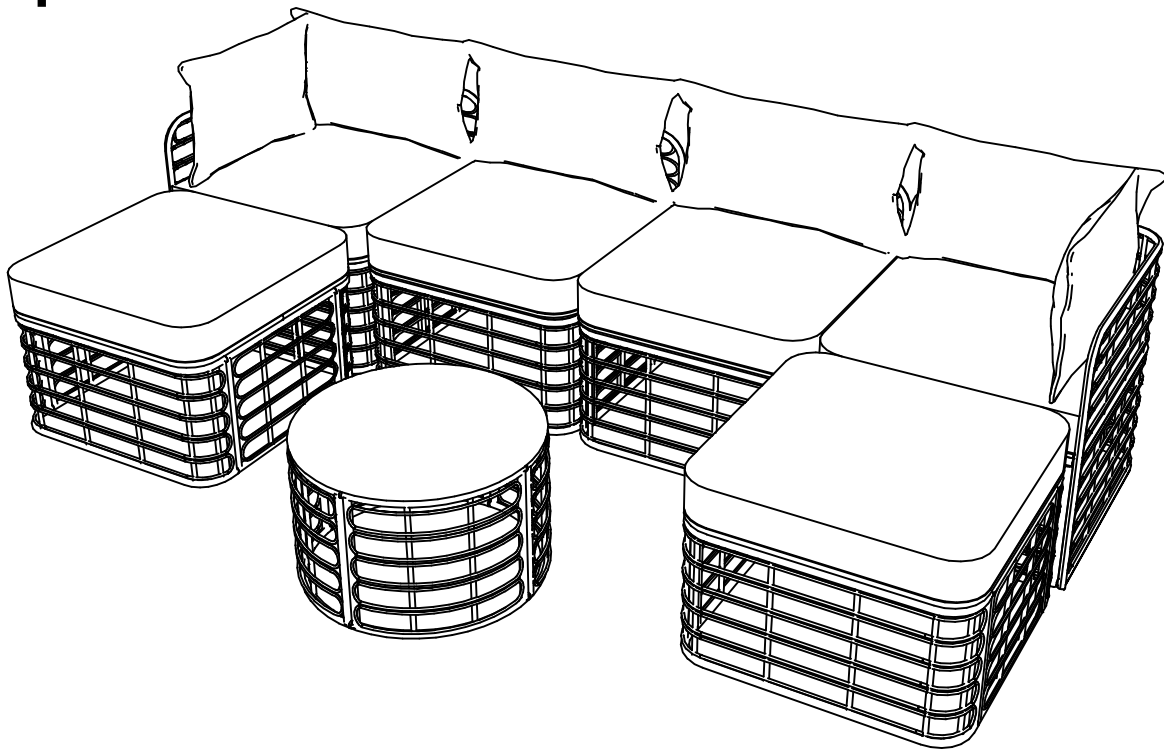


Lx2 ①x14 ②x12 ③x2 ④x6

Step 15



Step 16



Finish