



# H05751

Hybrid Series



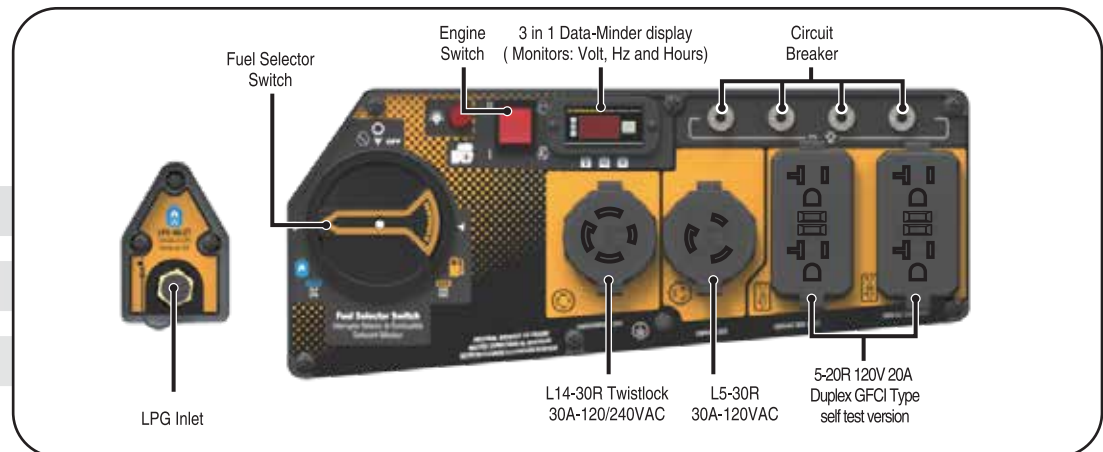
 **Running/Starting Watts: 5700/7125**

 **Running/Starting Watts: 5700/7125**



## Features & Benefits

- Runs on gasoline or propane fuel, giving you flexibility while out on the road or during an emergency.
- Extended propane regulator/hose (5.5ft) for convenience when running off of a larger propane tank.
- The FIRMAN OHV engine (Max-Pro Series) for longer life/higher performance/lower maintenance.
- FIRMAN newly designed AVR (Automatic Voltage Regulator) VL (Volt-Lock) Series.
- Cast iron sleeved engine for long durability with automatic low oil shutdown protection.
- Largest tank in the industry with extended run-time (less re-fueling) with integrated fuel gauge for convenience.
- Quiet muffler (Whisper Series) with USDA FS certified spark arrester.
- Conveniently located multi-featured control panel with FIRMAN custom designed outlet cover protecting outlets from dirt, dust and debris.
- 3 in 1 Data-Minder monitors running hours, voltage and frequency.
- Wheel Kit with heavy duty and over size flat free wheels with high leverage single folding handle with grip for easy maneuver.
- Durable compact roll-cage frame design with 1.2" steel tubing.
- Bonus accessories including engine oil, oil funnel and tool kit.
- Included battery for your convenience.
- 3 year warranty: best in industry.





# H05751

## Hybrid Series

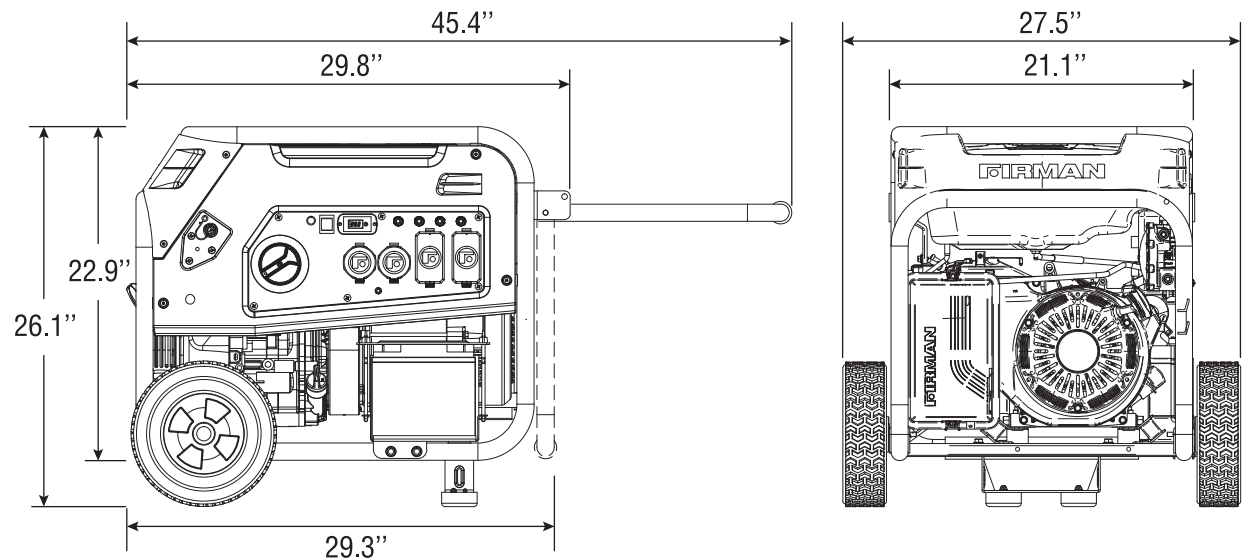


### Specification

Model /Rev Level		H05751 / 00
UPC		840876157510
49 States		Yes
California (CARB)		Yes
Canada (CETL)		No
	LPG Running Watts	5700
	LPG Starting Watts	7125
	GAS Running Watts	5700
	GAS Starting Watts	7125
Frequency (Hz)		60
Engine Displacement (cc)		439
Engine Type		OHV
Starting System		Recoil/Electric
Cylinder		Single
Fuel Type		Gasoline/LPG
Low Oil Shutdown		Yes
Cast Iron Sleeve		Yes
Brushed or Brushless Alternator		Brushed
Automatic Voltage Regulator (AVR)		Yes
Fuel Tank Volume (Gal)		8.0
Fuel Gauge		Yes
Runtime @50% load (hours)		13.0
USDA FS Certified Spark Arrester		Yes



Handle	Single Folding
Wheel	10.0" Flat Free
Battery	Yes
Accessories	Wheel kit-Oil Bottle Funnel-Tool Kit
Warranty Residential / Commercial	3 years / 90 days
Carton LxWxH (inch)	32.1 x 22.2 x 24.4
Unit Weight (lbs)	196
Shipping Weight (lbs)	212



8716 West Ludlow Dr. Suite #6  
Peoria, AZ 85381

1-844-FIRMAN1 (1-844-347-6261) [www.firmanpowerequipment.com](http://www.firmanpowerequipment.com)