



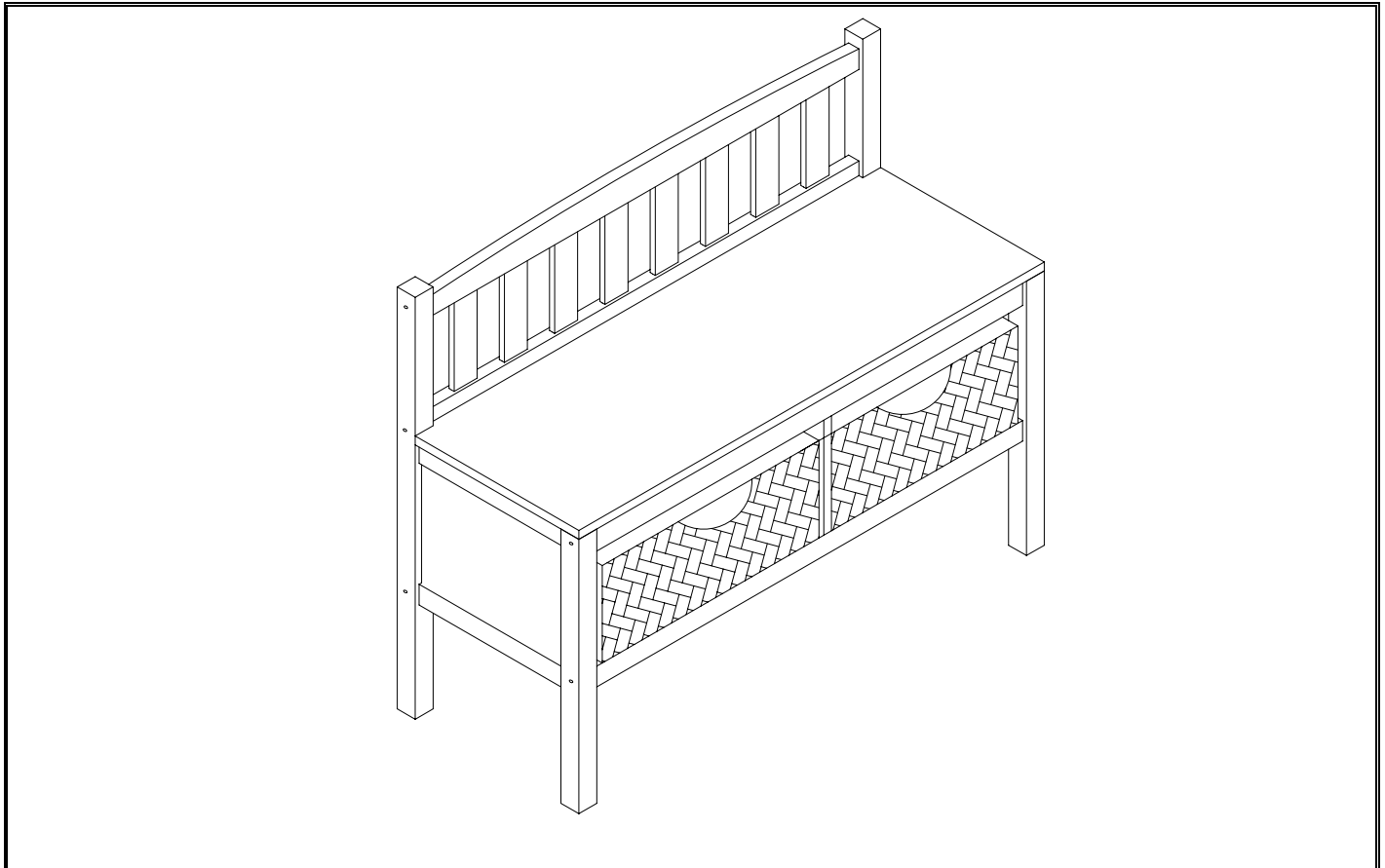
SEI NO.:BC921800TX JCP LOT NO 778-1254-0026  
 WHITE BENCH WITH BROWN RATTAN BASKETS

SEI NO.:BC931800TX JCP LOT NO 778-1254-0018  
 BLACK BENCH WITH BROWN RATTAN BASKETS

**SOUTHERN ENTERPRISES INC.**

NOTE... This product has been engineered for easy assembly and constructed for durability. Please take time to read and follow assembly instructions.

### Assembly Instruction

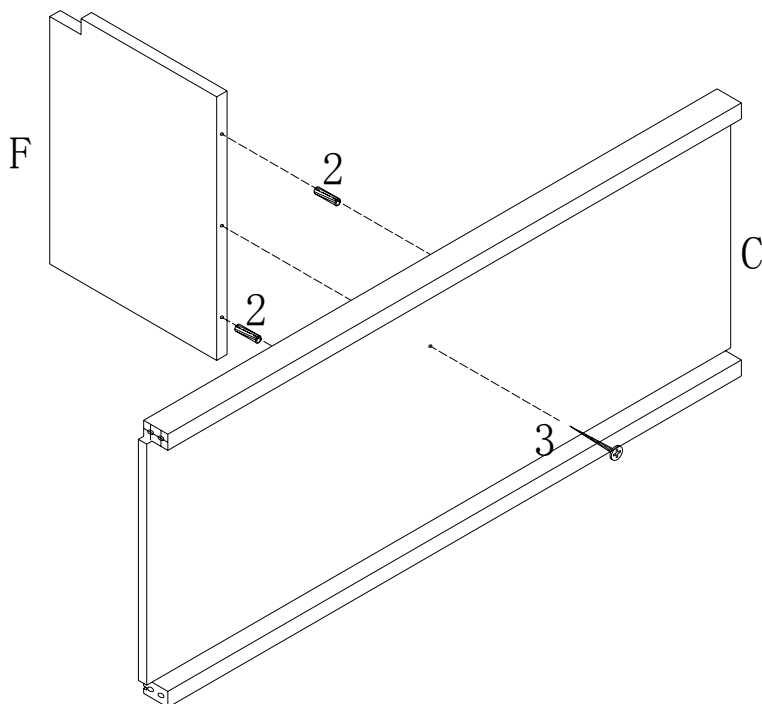


#### PARTS AND HARDWARE LIST

No.	Description	Q'ty	Sketch	No.	Description	Q'ty	Sketch
A	Left Side Frame	1		1	Blot(1/4"*1-1/2")	10	
B	Right Side Frame	1		2	Wood Dowel	12	
C	Bottom Panel	1		3	Wood Screw(8#*1-1/4")	7	
D	Front Brace	1		4	Wood Plug	10	
E	Seat Back	1		5	Small Bolt(5/32"*5/8")	8	
F	Divider	1		6	Allen Wrench	1	
G	Seat panel	1					
H	Back Panel	1					
I	Basket Frame	2					
J	Basket Base	2					

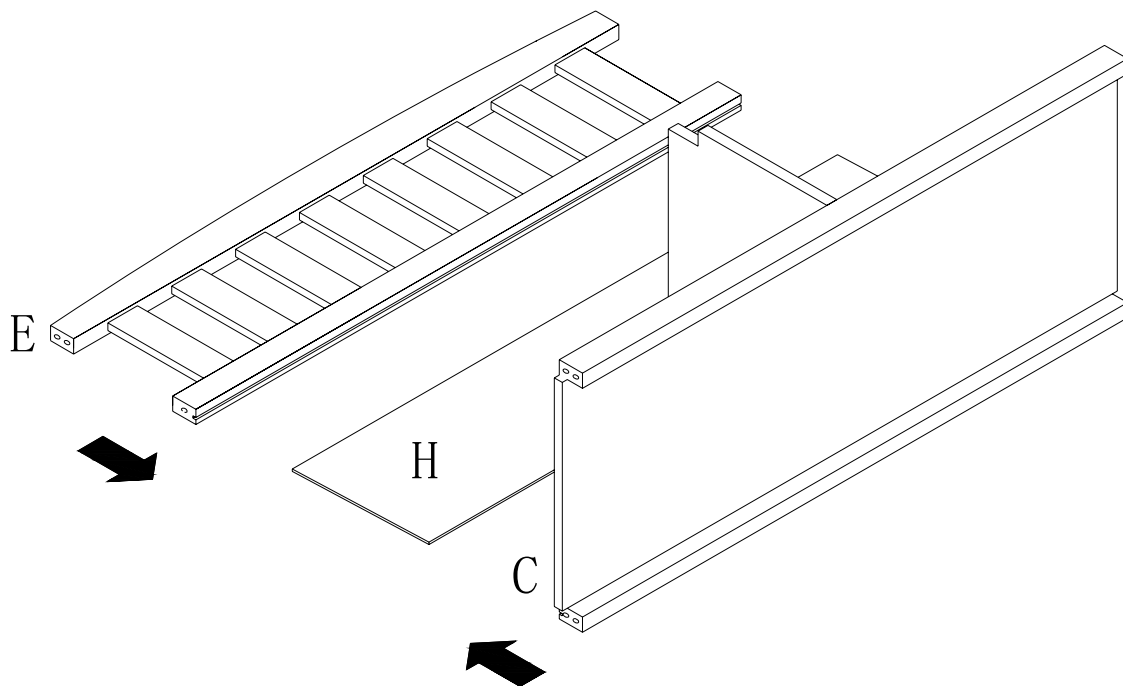
**STEP 1**

Connect the Bottom Panel (C) & the Divider (F) with 2pcs Wood Dowels (2) & 1pc Wood Screw (3) by using the screwdriver(not included in hardware list) as figure shown !



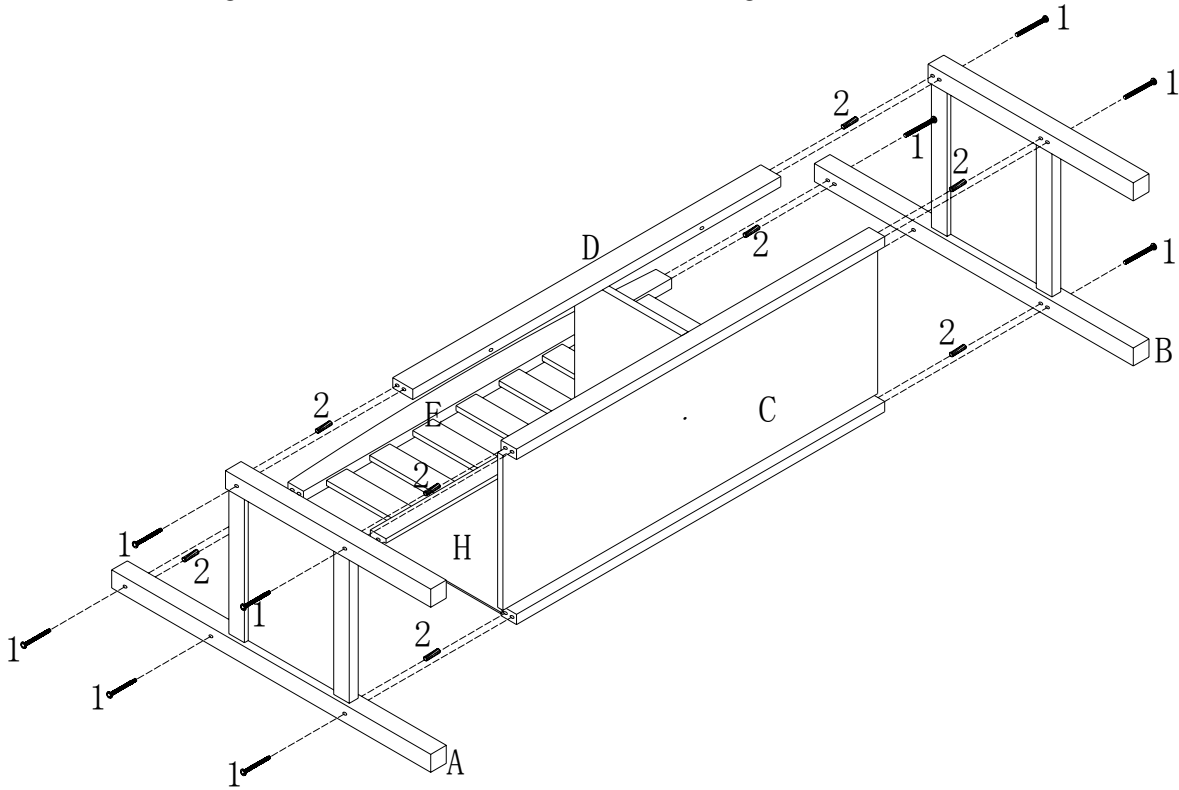
**STEP 2**

Insert the Back Panel (H) into the grooves in the Seat Back (E) and Bottom Panel (C) properly.



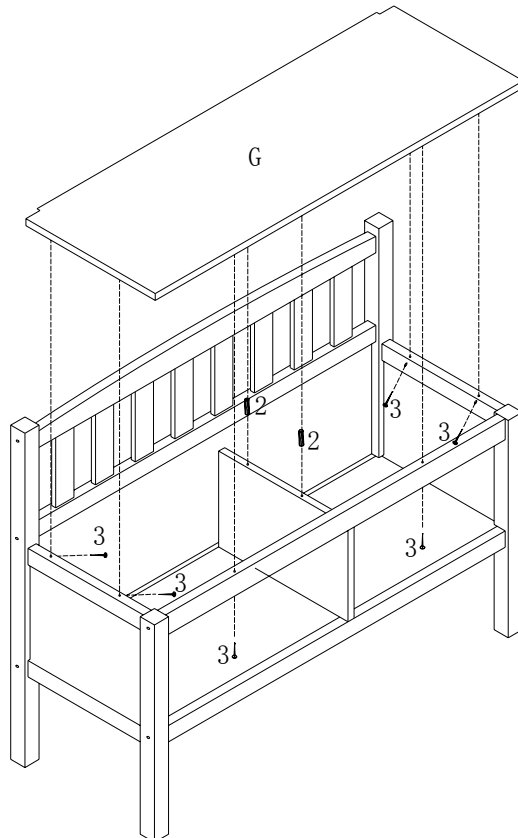
**STEP3**

Attach the Left & Right Side Frame (A & B) , the Bottom Frame (C) to the well-assembled unit with 10pcs Bolts (1) & 8pcs Wood Dowels (2), tighten the bolts with Allen Wrench (6) as figure shown !



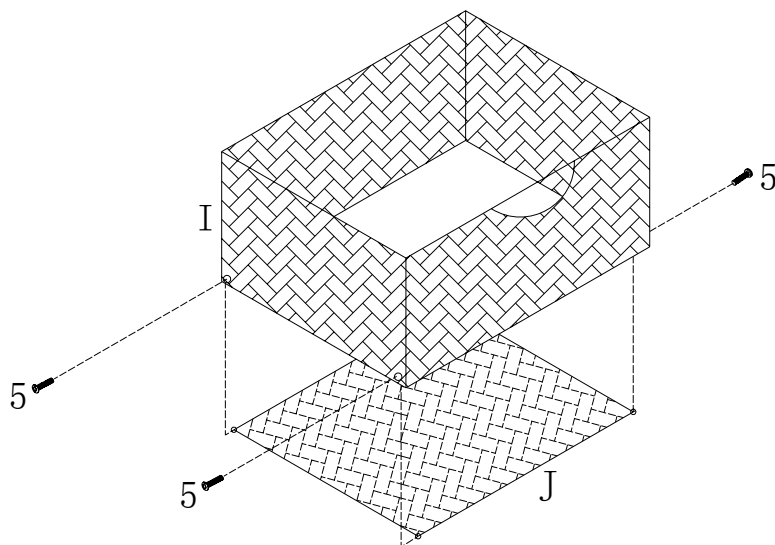
**STEP 4**

Connect the Seat Panel (G) with 2pcs Wood Dowels (2), 6pcs Wood Screws (3) ,tighten the screws with screwdriver (not included in hardware list) as figure shown !



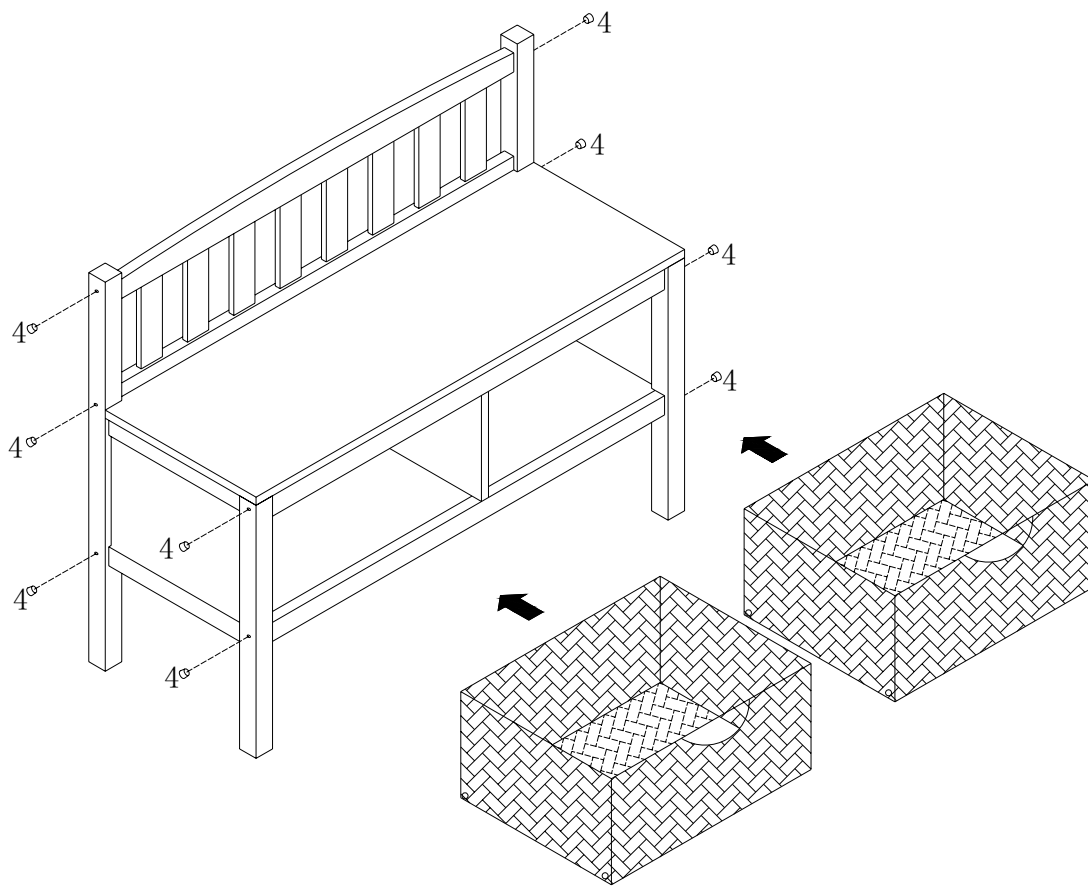
**STEP 5**

Attach the Basket Base (J) to the Basket Frame (I) with 4pcs Small Bolts (5) by using screwdriver(not included in hardware list) as figure shown !



**STEP 5**

Cove the holes on the legs with 10pcs Wood Plugs (4) as figure shown, then put the baskets to the right position.



Please count, identify and compare parts and hardware list to be sure all parts are present.  
 It may help to divide parts and label them to correspond with part list. Extra hardware may be included.

If any items are missing, please contact our parts/service department at  
 (800) 633-5096 or in Dallas (972) 869-0111/ 9am – 4pm Mon-Fri Central time.

Missing or damaged hardware and/ or parts will be replaced free of charge.

**WE DO NOT SELL PARTS. WE DO NOT RECOMMEND MODIFYING PRODUCT (S) AND  
 WE ARE NOT RESPONSIBLE FOR ANY DAMAGES DUE TO PRODUCT MODIFICATION (S).**

If this product has not been purchased from our retail affiliates (within 9 months),  
 we are under no obligation to provide parts or replacement merchandise.

**WE WILL SHIP PARTS IF AVAILABLE. THIS IS NOT A WARRANTY.**

**PARTS REPLACEMENT FORM**

STYLE NO.: BC921800TX JCP LOT NO 778-1254-0026 WHITE BENCH WITH BROWN RATTAN BASKETS  
 BC931800TX JCP LOT NO 778-1254-0018 BLACK BENCH WITH BROWN RATTAN BASKETS

Customer Name	PARTS LETTER	PART DESCRIPTION	QUANTITY NEEDED
---------------	-----------------	---------------------	--------------------

Street, City, State, Zip

Phone#



\_\_\_\_\_

\_\_\_\_\_

Please indicate where you purchased this item.  
 Store/website/catalog

\_\_\_\_\_/\_\_\_\_\_/\_\_\_\_\_  
 Please indicate color/size/style number

SOUTHERN ENTERPRISES INC.  
 P.O. Box 59996 Dallas, Texas 75229

\_\_\_\_\_/\_\_\_\_\_/\_\_\_\_\_