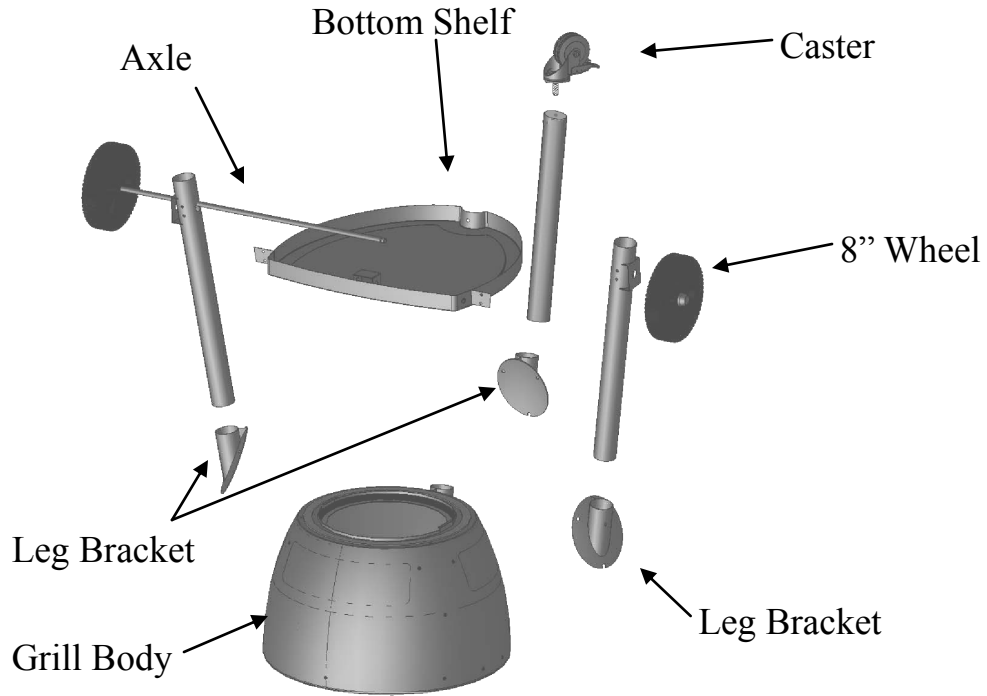


Step 1

Place GRILL BODY upside down and install LEG BRACKETS with three (3) ½ inch hex bolts each. Next install LEGS (3) with two (2) ½ inch hex bolts and two 1/4 inch lock washers each into LEG BRACKETS, DO NOT Tighten Bolts Until After Step #3. Screw CASTER onto rear leg, lock CASTER before tightening. Make Sure the leg with the caster is in the back and wheel support braces on the front legs are facing outward.



Step 2

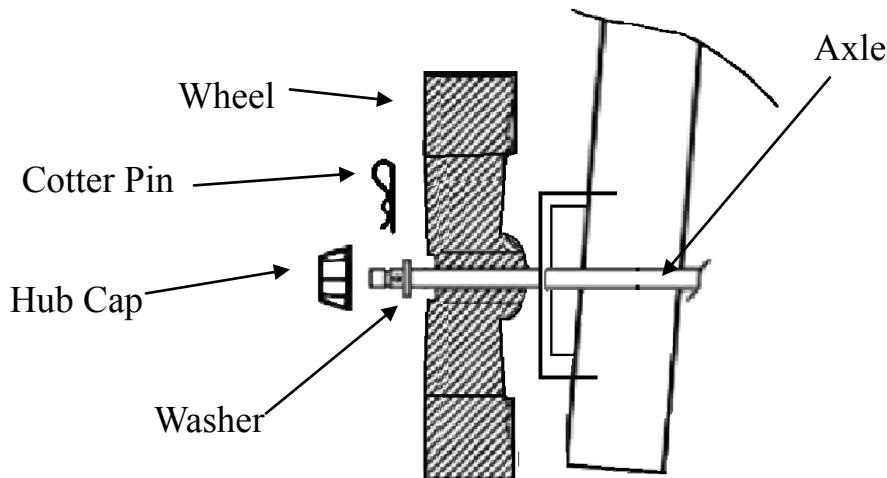
Attach BOTTOM SHELF to LEGS with five 1/2 inch hex bolts and lock washers.

Step 3

Insert AXLE through front LEGS and BOTTOM SHELF. Tighten all bolts.

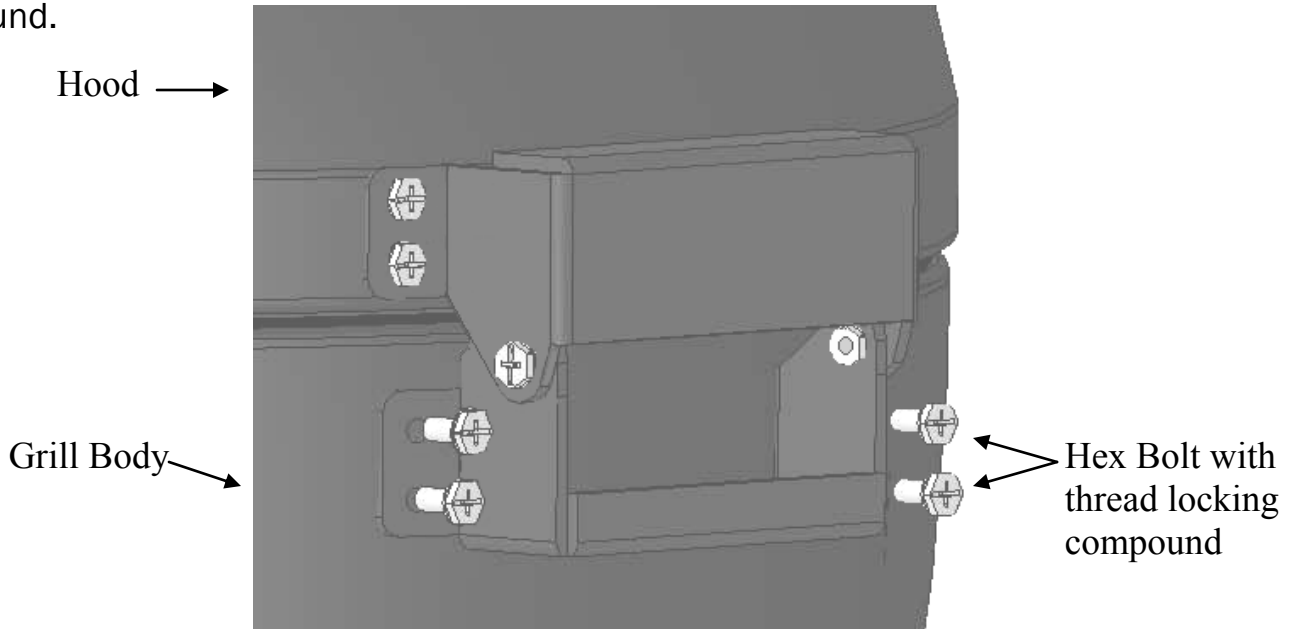
Step 4

Install one WASHER, COTTER PIN and HUB CAP onto the AXLE then slide the AXLE through WHEELS and legs as shown. Finish by attaching 2nd WASHER, COTTER PIN and HUB CAP.



Step 5

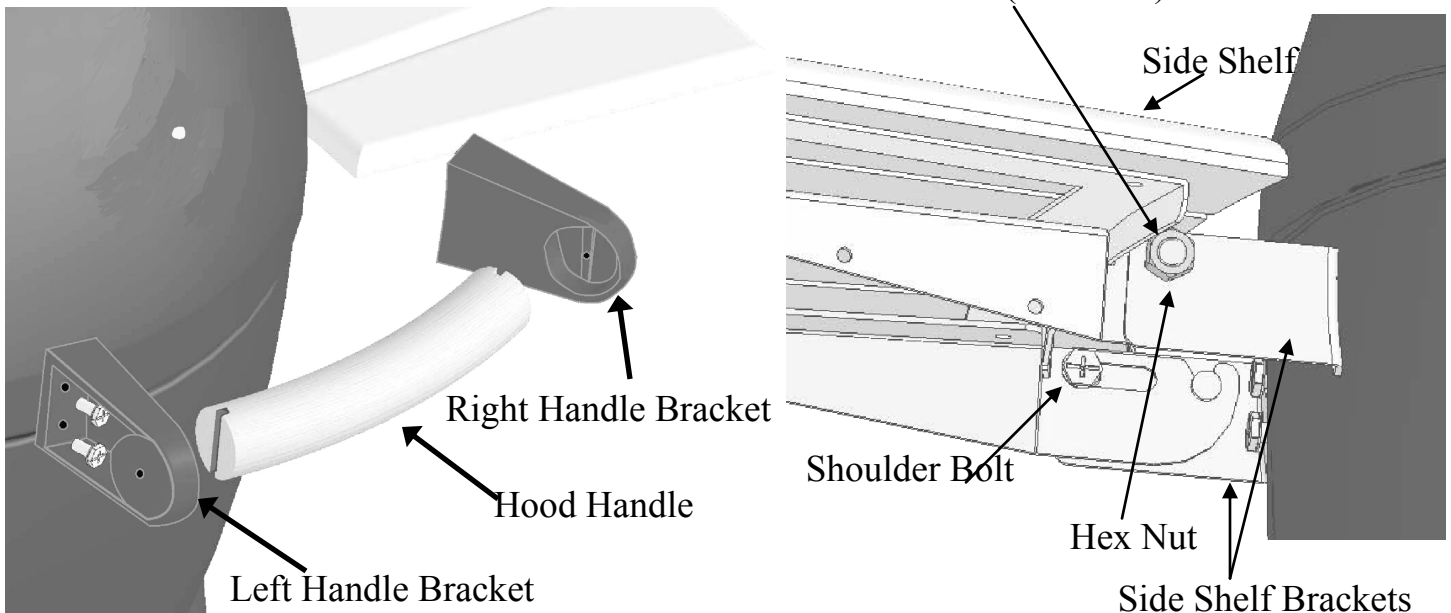
Turn grill upright, **LOCK CASTER** and place HOOD on the GRILL BODY. Attach hinge on back of HOOD to GRILL BODY using four (4) 3/4 inch hex bolts with thread locking compound.



Step 6

Attach FRONT HANDLE to HOOD with four (4) 1/2 inch hex bolts. First attach one HANDLE BRACKET to the Lid and then hold the HANDLE in place while attaching the other HANDLE BRACKET to the Lid. HANDLE BRACKETS are left and right handed.

NOTE: Install nuts towards outer side of shelf bracket. (as shown)



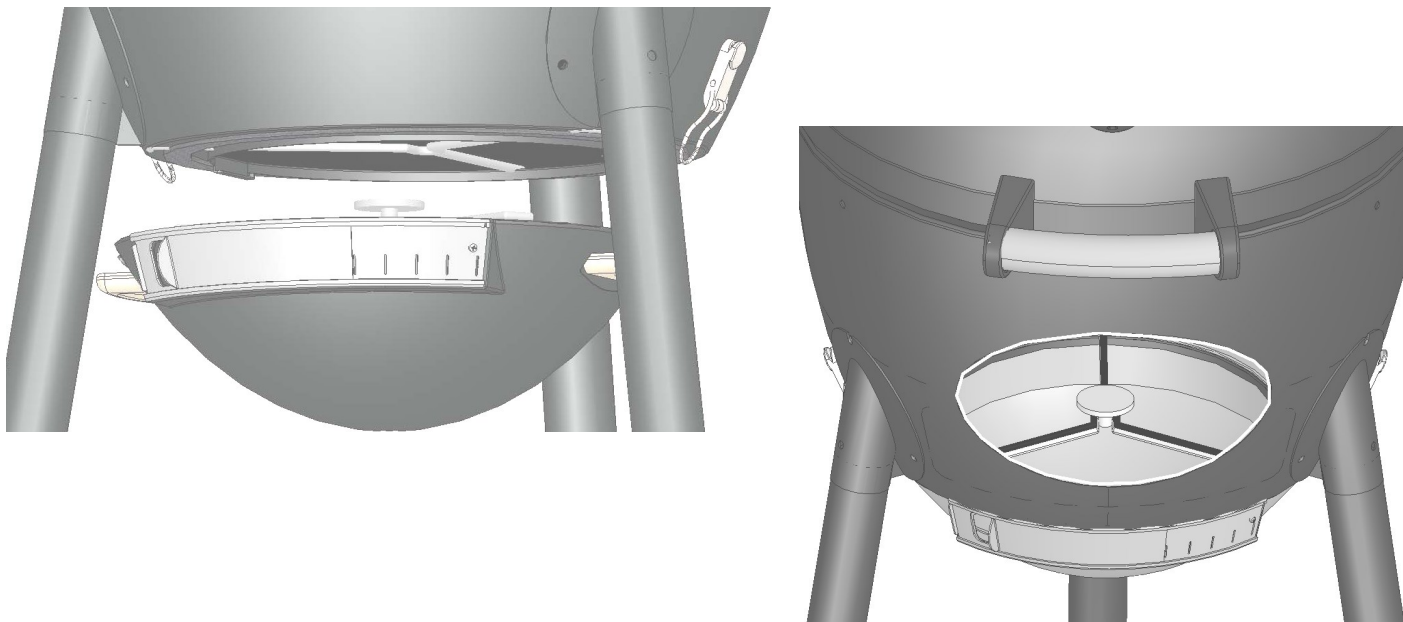
Step 7

Attach SIDE SHELVES to SIDE SHELF BRACKETS using two (2) shoulder bolts and two (2) hex nuts for each shelf.

NOTE: Always latch lid when lid is in the closed position, especially while moving.

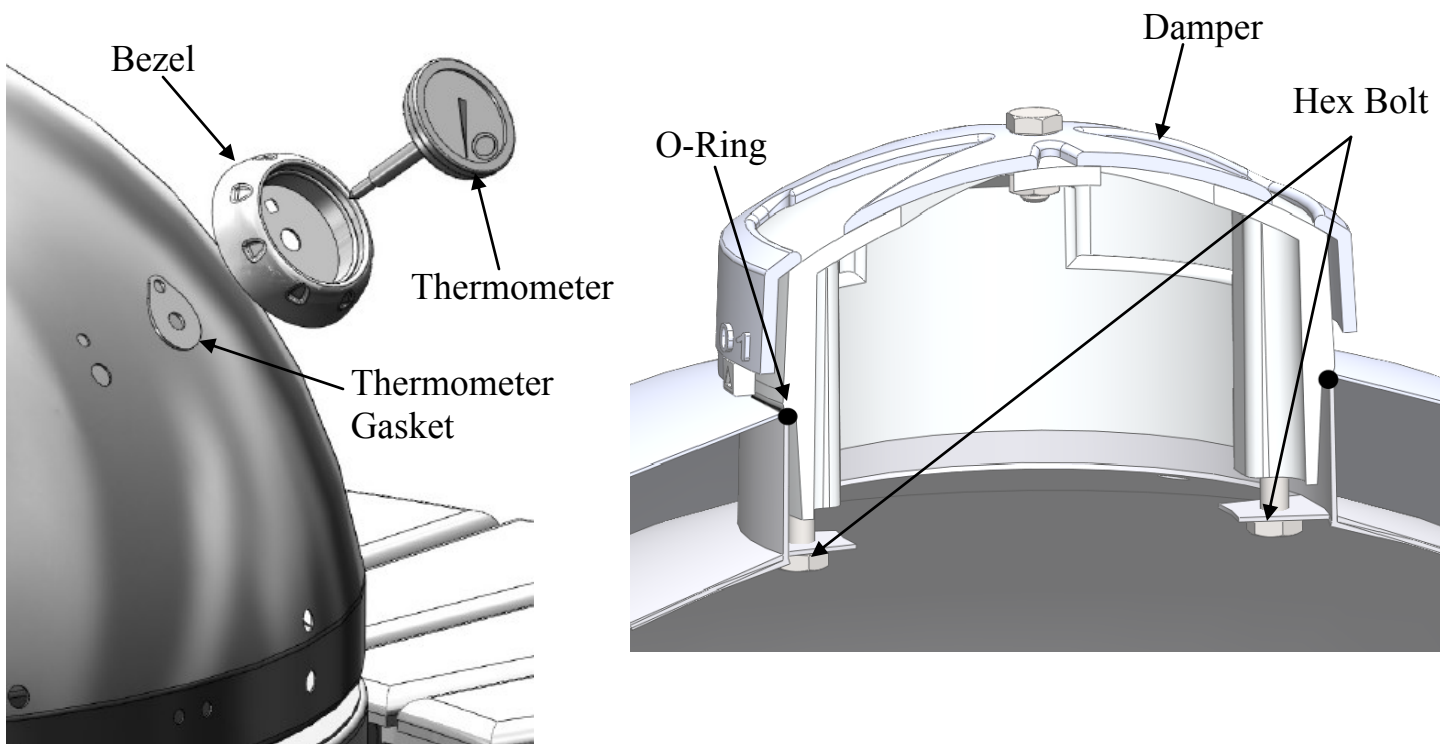
Step 8

To install ASH PAN, hold ASH PAN up against the bottom of the GRILL BODY from the front with the center pin on the inside. Slide the ASH PAN back and use clips on the sides of the grill to snap into position as shown.



Step 9

Position O-Ring on bottom of damper by rolling it up to the bead. With O-Ring in position, install DAMPER with two (2) 1/2 inch bolts from inside the HOOD. Damper coating will scratch with use. This does not affect the function or performance of the damper. Next, install THERMOMETER GASKET, THERMOMETER and BEZEL with wing nut, as shown below. Make sure to calibrate the thermometer first, see page 11.

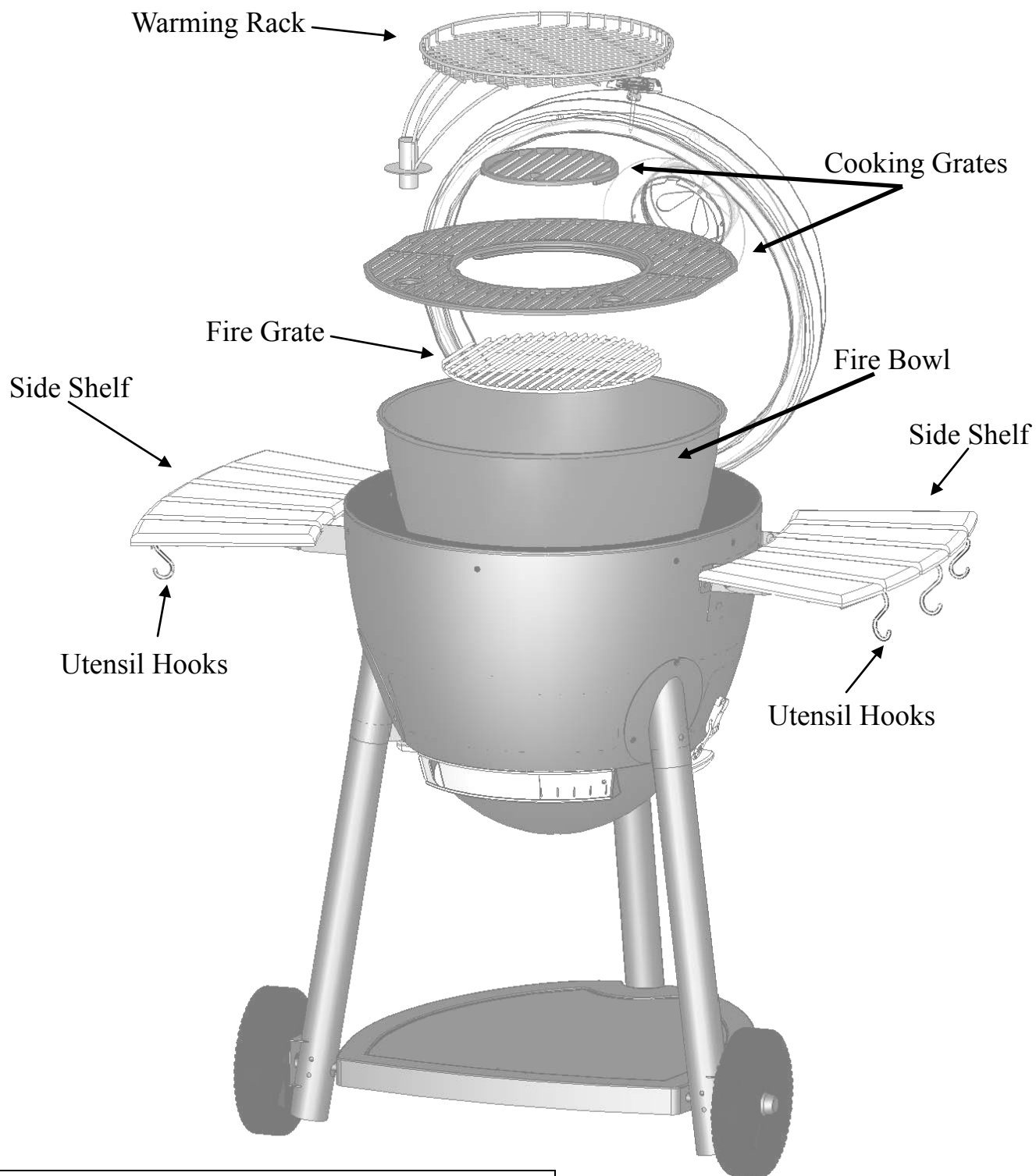


Step 10

Install: FIRE BOWL, FIRE GRATE, COOKING GRATES and WARMING RACK inside of the lower body.

Step 11

Attach six (6) UTENSIL HOOKS to the underside of the two side shelves (3 each). Use depressions in the wood as a starting point for screwing in the UTENSIL HOOKS.



Please Note: No Returns on Used Grills