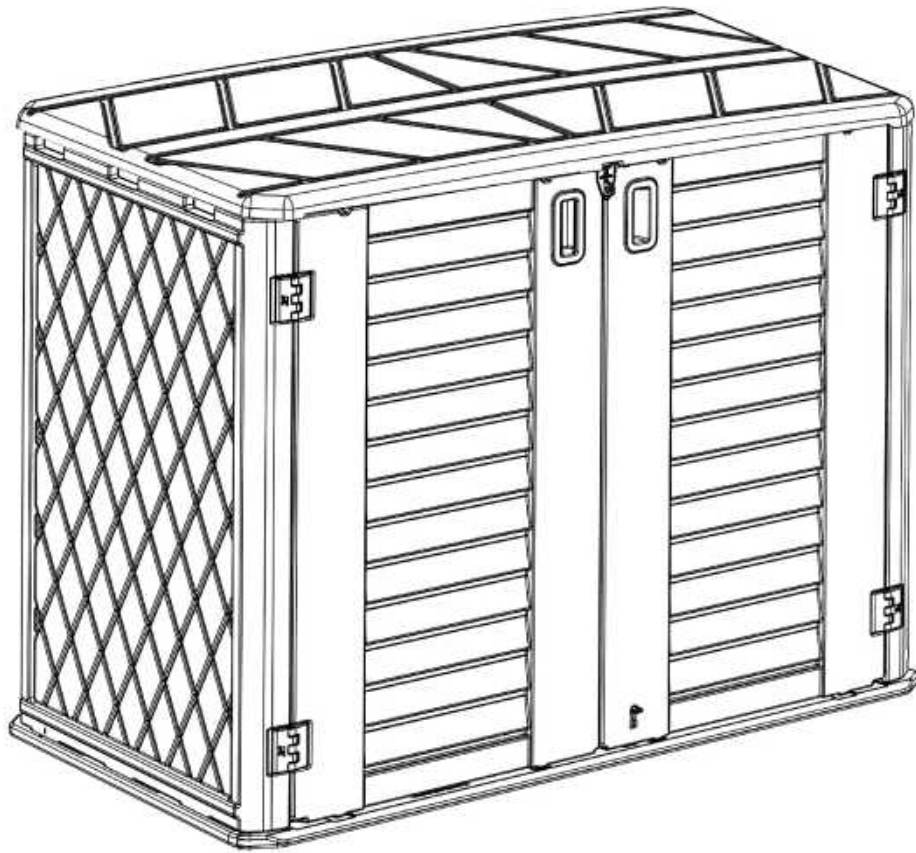


# Instruction



---

## ABOUT PRODUCT ASSEMBLY

Do not assemble the storage shed on severe cold or strong windy days.

We would advise 2 person to assist in the assembly of the storage shed to secure parts in place.

Please check your package according to the PARTS LIST in the instructions to ensure that there are no missing or damaged before you starting assembly, kindly contact us if you find any wrong.

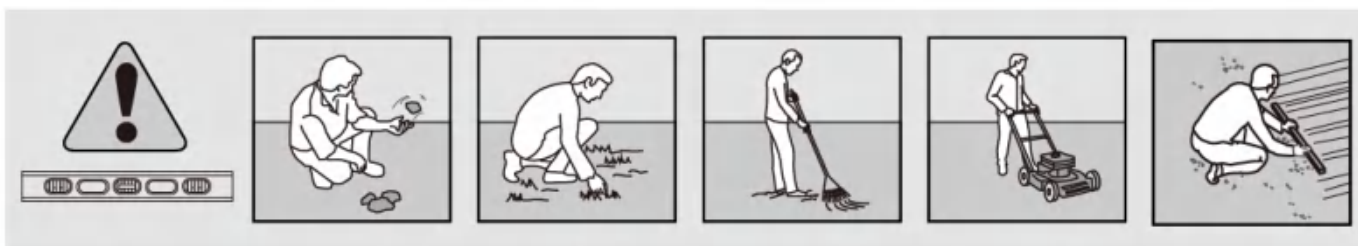
Please read instructions thoroughly prior to assembly, assemble all the parts according to the directions in this instructions, do not skip and steps

Our company provides extra hardware for use as spare parts for customer convenience. **Please save the spare parts.**

We would kindly advise you to follow the instructions in the manual to install, wrong assembly methods can result in damage to the inside of the hole to create links between the panels loose or unable to assembled properly.

---

## LEVEL THE GROUND SURFACE



Level the ground surface before unpacking parts and beginning assembly.

---

## REQUIRED TOOLS



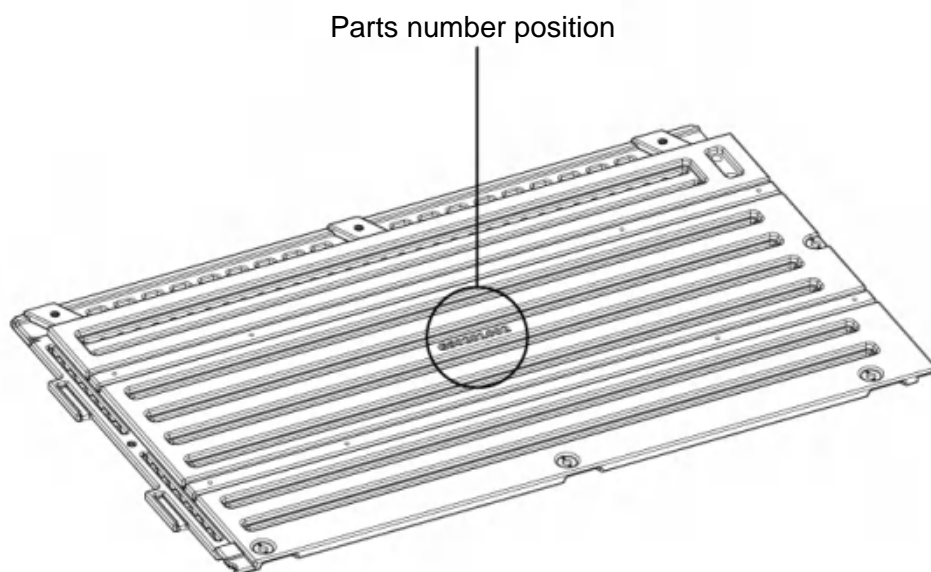
Allen Key



Screwdriver

---

## PARTS NUMBER POSITION



# Parts List

A Carton					
No.	Parts No.	Name	Material	Quantity	Specifications
1	GS0201001	Floor	HDPE	1	50.24*29.06*1.38 (inches)
2	GS0201008	Roof	HDPE	1	49.61*28.74*1.73 (inches)

B Carton					
No.	Accessories No.	Name	Material	Quantity	Specifications
3	GS0201002	Left back panel	HDPE	1	40.16*23.74*0.98 (inches)
4	GS0201003	Right back panel	HDPE	1	40.16*21.78*0.98 (inches)
5	GS0201004	Left side panel	HDPE	1	40.16*27.32*4.53 (inches)
6	GS0201005	Right side panel	HDPE	1	40.16*27.32*4.5 (inches)
7	GS0201006	Left door	HDPE	1	38.86*23.43*1.5 (inches)
8	GS0201007	Right door	HDPE	1	38.86*22.56*1.5 (inches)
9	GS0201014	Hinge	Metal	6	70x38x25 (mm)
10	GS0201015	L hinge folding assembly	Metal	1	35x25x9 (mm)
11	GS0201016	L-1	Metal	1	37x20x16 (mm)
12	GS0201017	L-2	Metal	1	39x20x20 (mm)
13	GS0201018	Latch-1	Metal	1	61x40x15 (mm)
14	GS0201019	Latch-2	Metal	1	88x43x13 (mm)
15	GS0201020	Support rod	Metal	1	310x66x8 (mm)
16	GS0201021	Support rod fixing piece	Metal	1	38x16x1.5 (mm)
17	GS0201022	Plastic bolts	Plastic	6	M9.5x25.5 (mm)
18	GS0201023	Plastic bolts	Plastic	3	M9.5x18.5 (mm)
19	GS0201028	Strengthen the block	Metal	12	58x18x1.2 (mm)
20	Y202333	M4x10	Stainless steel	12	M4x10 (mm)
21	Y202338	M5.5x19	Stainless steel	24	M5.5x19 (mm)

22	AP27003-30	Instructions	/	1	/
23	AP27003-31	Spare parts	/	1	/

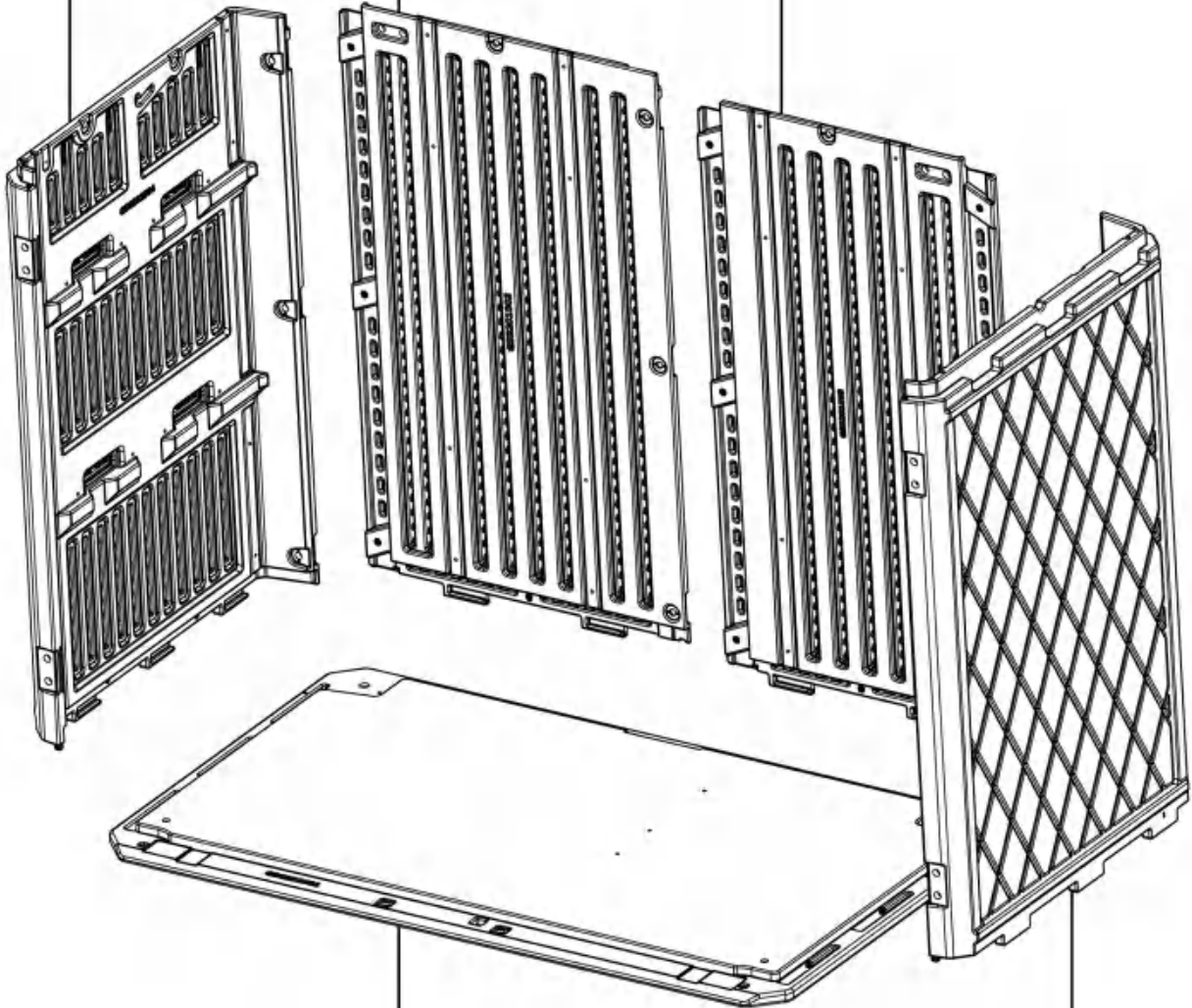
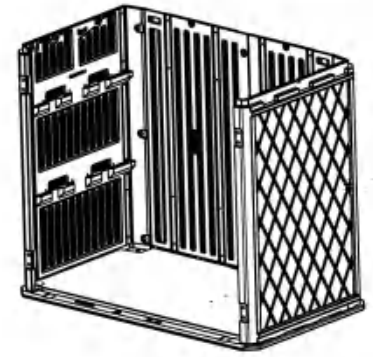
please save the spare parts.

# Wall Panels and Floor

Left side panel  
(GS0201004)

Left back panel  
(GS0201002)

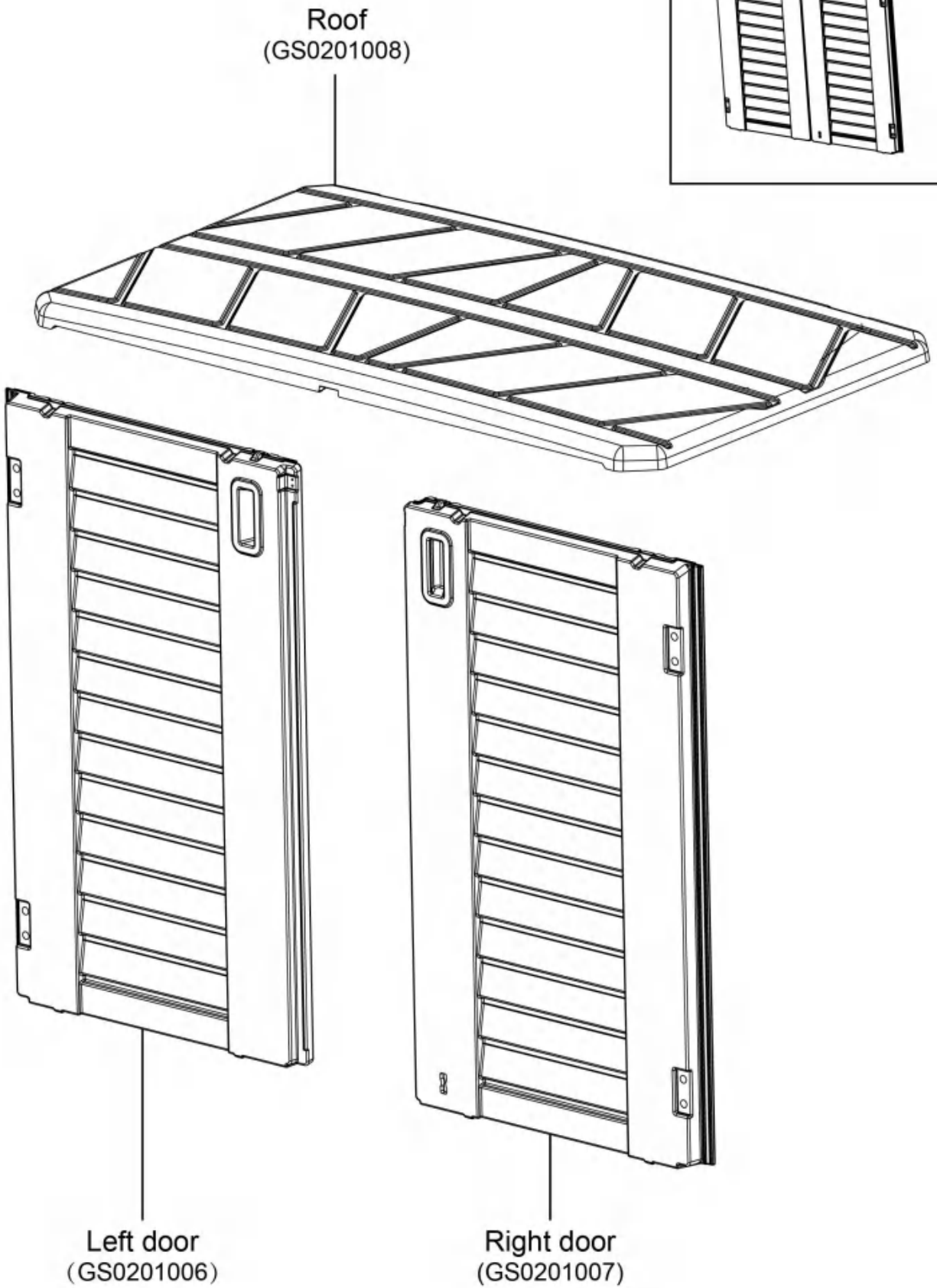
Right back panel  
(GS0201003)



Floor  
(GS0201001)

Right side panel  
(GS0201005)

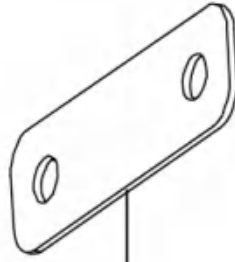
# Doors and Roof



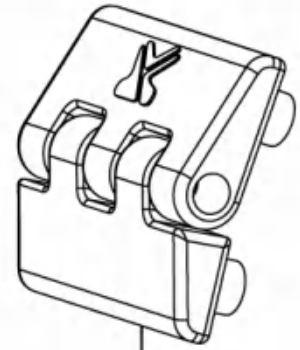
# Hardware



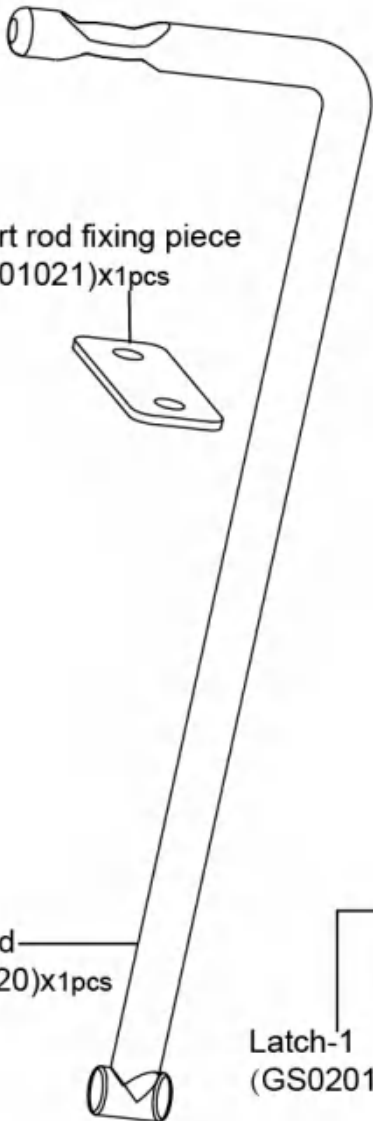
L hinge folding assembly  
(GS0201015)x1pcs



Strengthen the block  
(GS0201028)x12pcs

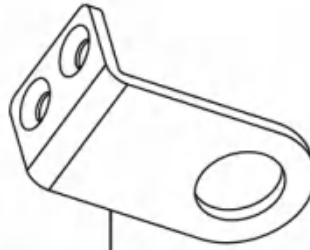


Hinge  
(GS0201014)x6pcs

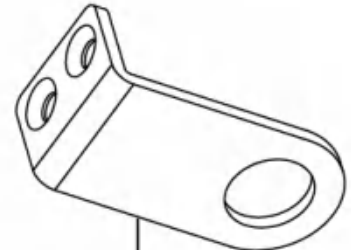


Support rod fixing piece  
(GS0201021)x1pcs

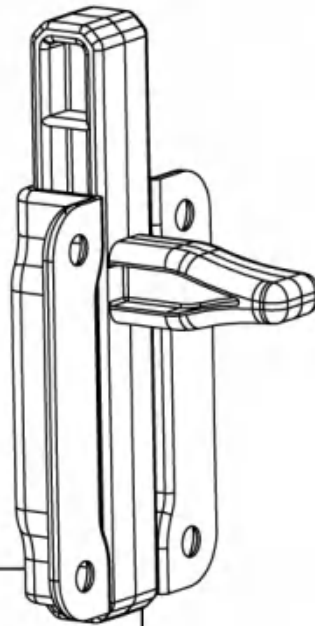
Support rod  
(GS0201020)x1pcs



L-1  
(GS0201016)x1pcs



L-2  
(GS0201017)x1pcs



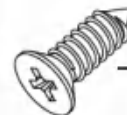
Latch-1  
(GS0201018)x1pcs      Latch-2  
(GS0201019)x1pcs



Plastic bolts  
GS0201023  
M9.5\*18.5x3pcs



Plastic bolts  
GS0201022  
M9.5\*25.5x6pcs



M4x10  
Y202333  
12pcs



M5.5x19  
Y202338  
24pcs

**1** Back panel to install



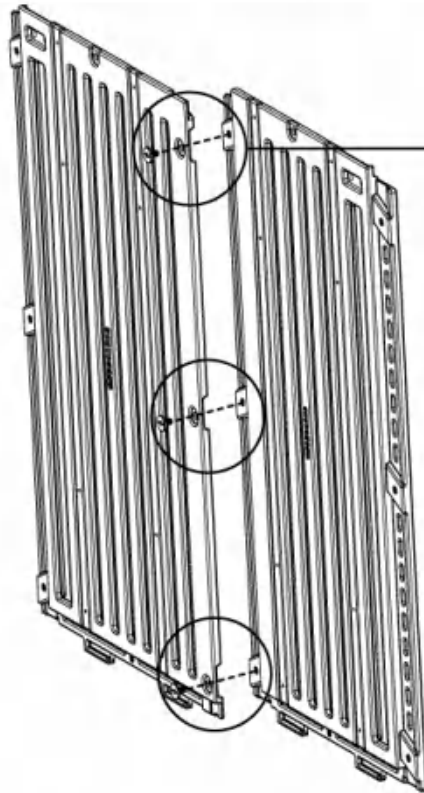
Left back panel (GS0201002)



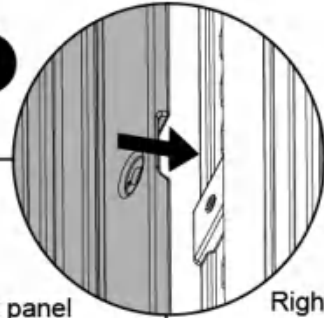
Right back panel (GS0201003)



Plastic bolts (GS0201023) M9.5\*18.5x3pcs



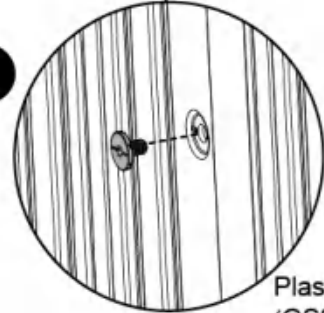
**1**



Left back panel (GS0201002)

Right back panel (GS0201003)

**2**



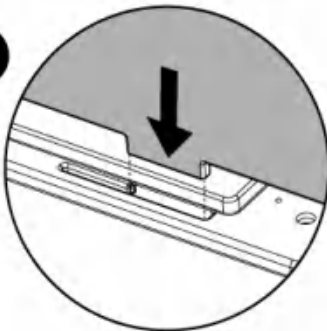
Plastic bolts (GS0201023) M9.5\*18.5x3pcs

**2** Floor panel to install

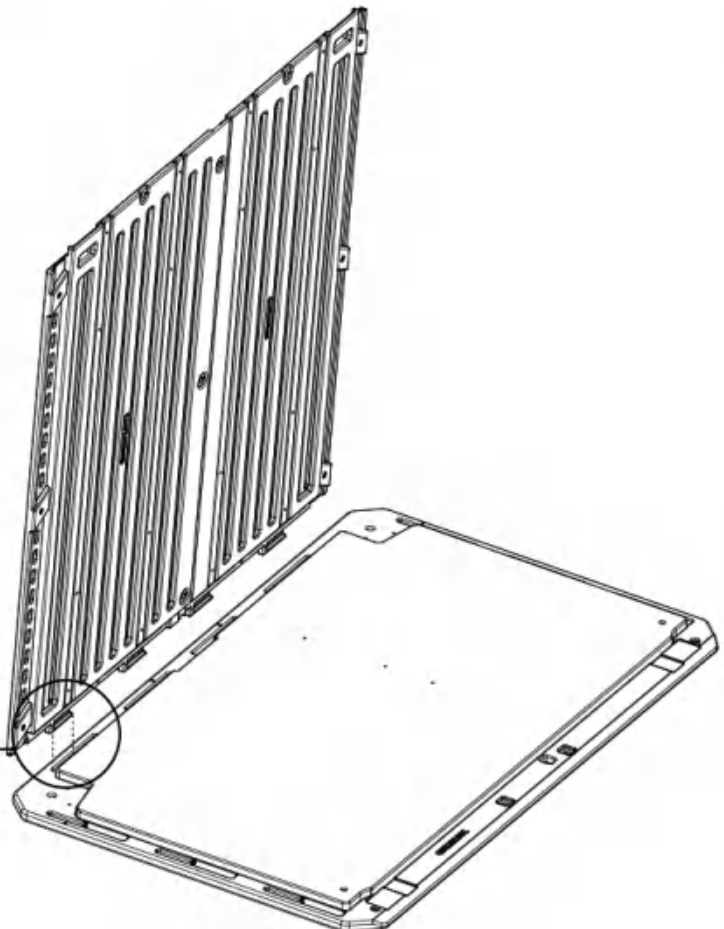
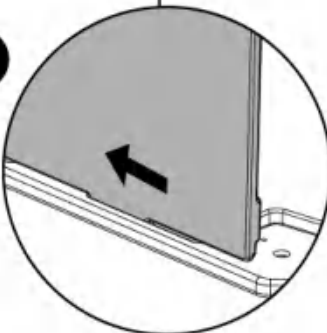


Floor (GS0201001)

**1**



**2**



**3** Side panel to install



Left side panel (GS0201004)

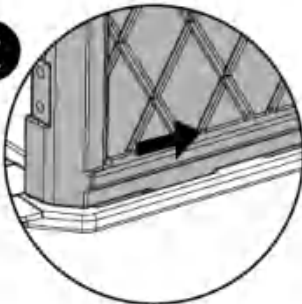


Right side panel (GS0201005)

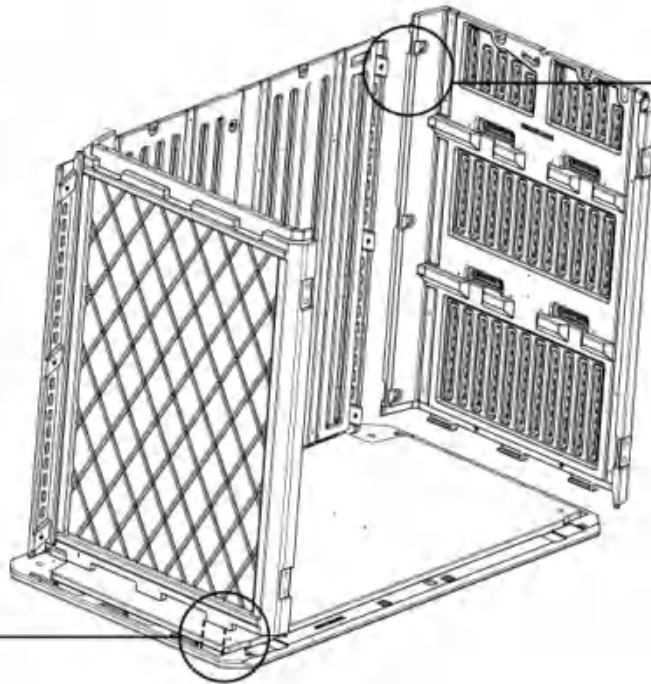
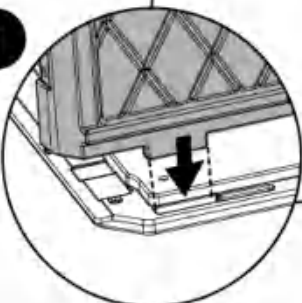


Plastic bolts GS0201022 M9.5\*25.5x6pcs

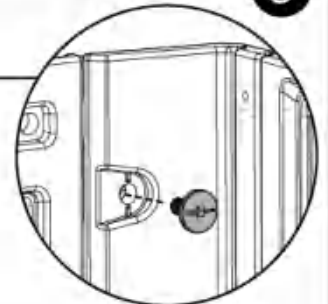
**2**



**1**



**3**



Plastic bolts GS0201022 M9.5\*25.5x6pcs

**4** Right door accessories to install



Right door (GS0201007)



Hinge (GS0201014)x2pcs



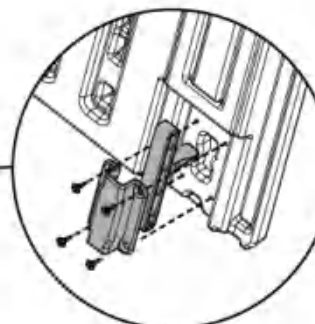
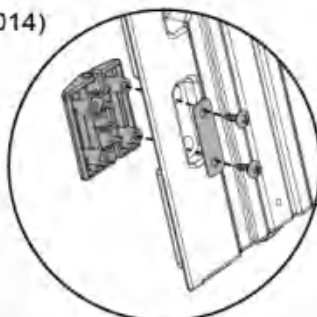
Strengthen the block (GS0201028)x2pcs



L-1 (GS0201016)  
M4x10 Y202333  
2pcs

Strengthen the block (GS0201028)  
Hinge (GS0201014)

M5.5x19 Y202338  
4pcs



M5.5x19 Y202338  
4pcs

L-1 (GS0201016)x1pcs

Latch-1 (GS0201018)x1pcs

Latch-2 (GS0201019)x1pcs

M4x10 Y202333  
6pcs

Latch-1 (GS0201018)x1pcs

Latch-2 (GS0201019)x1pcs

M4x10 Y202333  
4pcs

**5**

Left door accessories to install



Left door (GS0201006)



Hinge (GS0201014)x2pcs



Strengthen the block (GS0201028)x2pcs



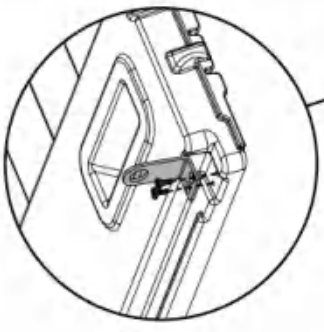
M5.5x19 Y202338 4pcs



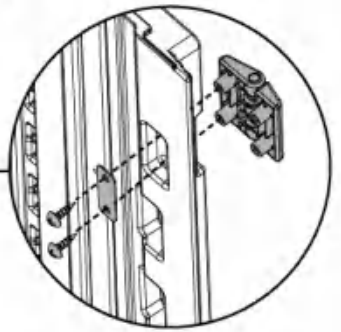
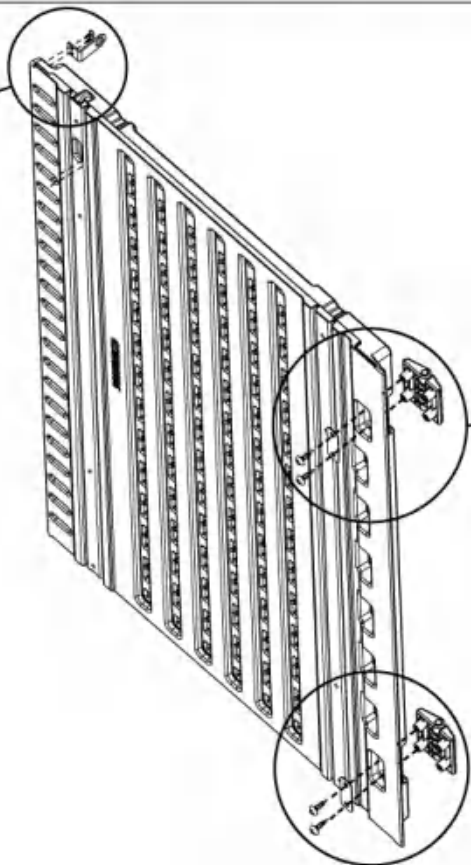
L-2 (GS0201017)x1pcs



M4x10 Y202333 2pcs



L-2 (GS0201017)  
M4x10 Y202333 2pcs



M5.5x19 Y202338 4pcs

Strengthen the block (GS0201028)  
Hinge (GS0201014)

**6**

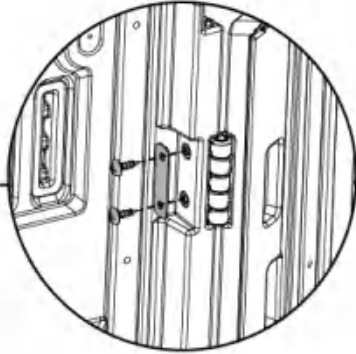
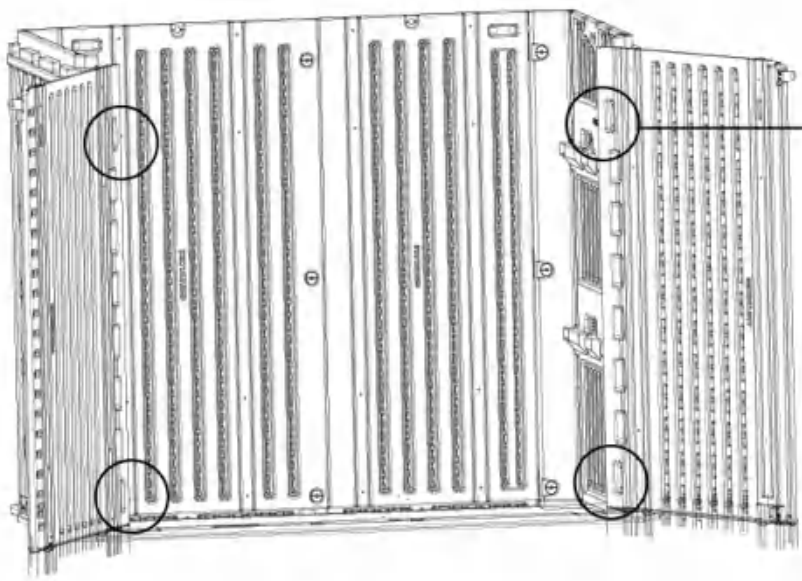
Door to install



M5.5x19 Y202338 8pcs



Strengthen the block (GS0201028)x4pcs



Strengthen the block (GS0201028)x4pcs

M5.5x19 Y202338 8pcs

# 7 Roof accessories to install



Roof (GS0201008)



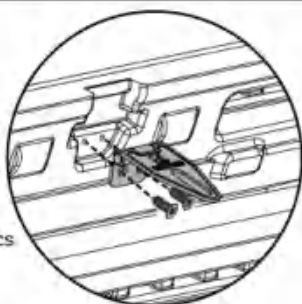
Hinge (GS0201014) x2pcs



Strengthen the block (GS0201028) x2pcs

M4x10 Y202333 2pcs

L hinge folding assembly (GS0201015) x1pcs



M5.5x19 Y202338 4pcs



L hinge folding assembly (GS0201015) x1pcs



Support rod (GS0201020) x1pcs



Support rod fixing piece (GS0201021) x1pcs

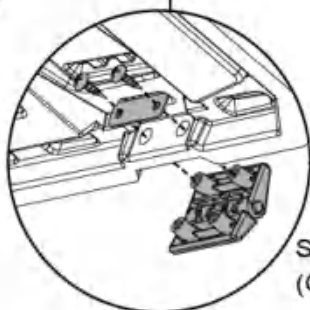


M4x10 Y202333 4pcs

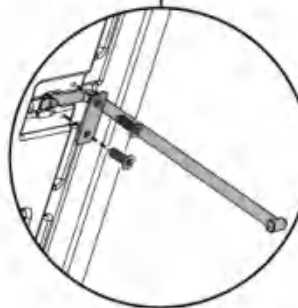


Hinge (GS0201014) x2pcs

M5.5x19 Y202338 4pcs



Strengthen the block (GS0201028) x2pcs



Support rod fixing piece (GS0201021) x1pcs

Support rod (GS0201020) x1pcs

M4x10 Y202333 2pcs

# 8 Roof bolting machine

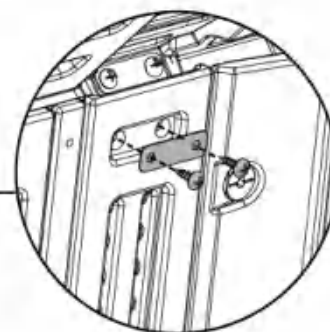
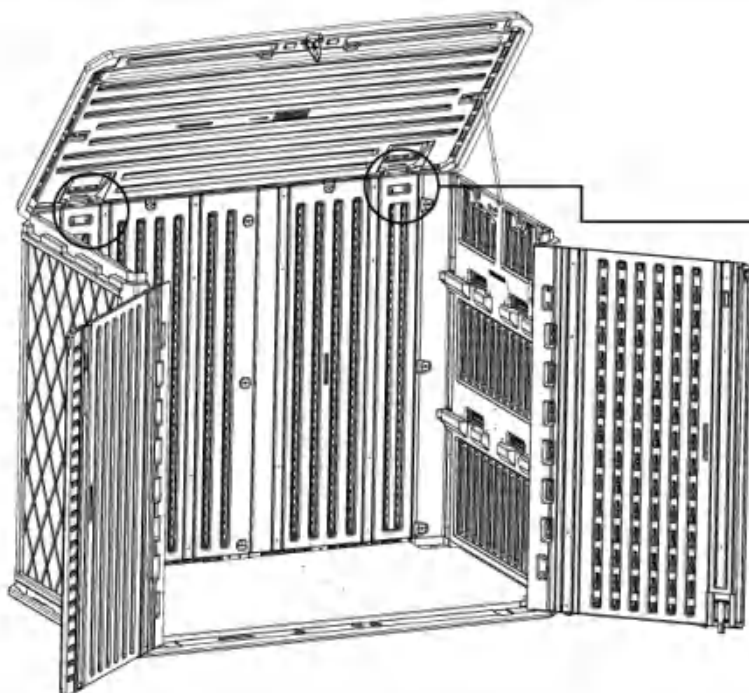
After installing the roof fitting, connect the roof to the back panel



Strengthen the block (GS0201028) x2pcs



M5.5x19 Y202338 4pcs



Strengthen the block (GS0201028) x2pcs

M5.5x19 Y202338 4pcs

👍 Congratulations! you did it!! Awesome!!!