

Thank you for your purchase!

Star and Moon Fire Pit



ASSEMBLY INSTRUCTIONS

Before You Begin:

Please identify all component parts and hardware pieces required before you begin. Carefully remove all of the components from the packaging and set aside for assembly. Assemble on a soft surface to prevent scratching during assembly.

Caution:

Tighten all components securely before use. Failure to do so may result in personal injury. DO NOT use any sharp objects to open plastic wrapped components as damage to product or components may result.

Warning:

CHOKING HAZARD - Small Parts. Adult Assembly Required.

Injury may result from tipping this firepit.

Have a Question/Concern?

Quality products and first-class customer service are the cornerstone of long-lasting consumer relationships. We strive toward excellence in all we do and want you to be completely satisfied with your purchase.

Please contact our exceptional Customer Experience Agents at the email address or phone number shown below to assist you with any product questions or issues before requesting a return.

We look forward to serving you in a friendly, efficient manner to resolve any issues you may have.

Customer Service Email: CustomerExperience@belnick.com

Customer Service Phone: 866-552-2810

Our Warranty Statement

This warranty covers manufacturing defects associated with your new product. The product is warranted from the original purchase date and to the original purchaser for normal usage, according to the below-referenced specifications and limitations.






- Non-moving metal parts are warranted for 5 years.
- Component parts including pneumatic cylinder, control mechanism, base and casters are warranted for 2 years.
- All other items are warranted for 1 year.

Normal usage means use in compliance with the restrictions and weight limits specified for the product. In the absence of product-specific restrictions and weight limits, normal usage means use for no more than forty hours per week by persons weighing 250 lbs. or less.



Coverage terminates if the product is sold or otherwise transferred. Repairs made by parties other than Belnick also void this warranty.


This warranty will not cover: (1) labor, freight, or damage from misuse, abuse, negligence, alteration, assembly, installation, attachments, accident, vandalism, acts of nature or any other event beyond the control of Belnick; (2) tearing, scratching, scuffing, or blemishing of leather or fabric; (3) cosmetic damage that may result from normal usage; (4) damage attributable to use by persons exceeding specified weight limits or commercial use exceeding forty hours per week; or (5) rust or other damage caused by exposure to moisture. The user assumes all risk of injury resulting from use of this product. Liability for incidental or consequential damage is excluded. Some states do not allow the exclusion or limitation of incidental or consequential damages, so the above limitation or exclusion may not apply to you.

PANELS AND FITTINGS IDENTIFICATION:

	PARTS	DESCRIPTION	QTY
A		RING FOR FIRE PIT COVER	1PC
B		FIRE PIT COVER	1PC
C		BOWL FOR FIRE PIT	1PC
D		RING FOR FIRE PIT BOWL	4PC
E		LEGS	3PC

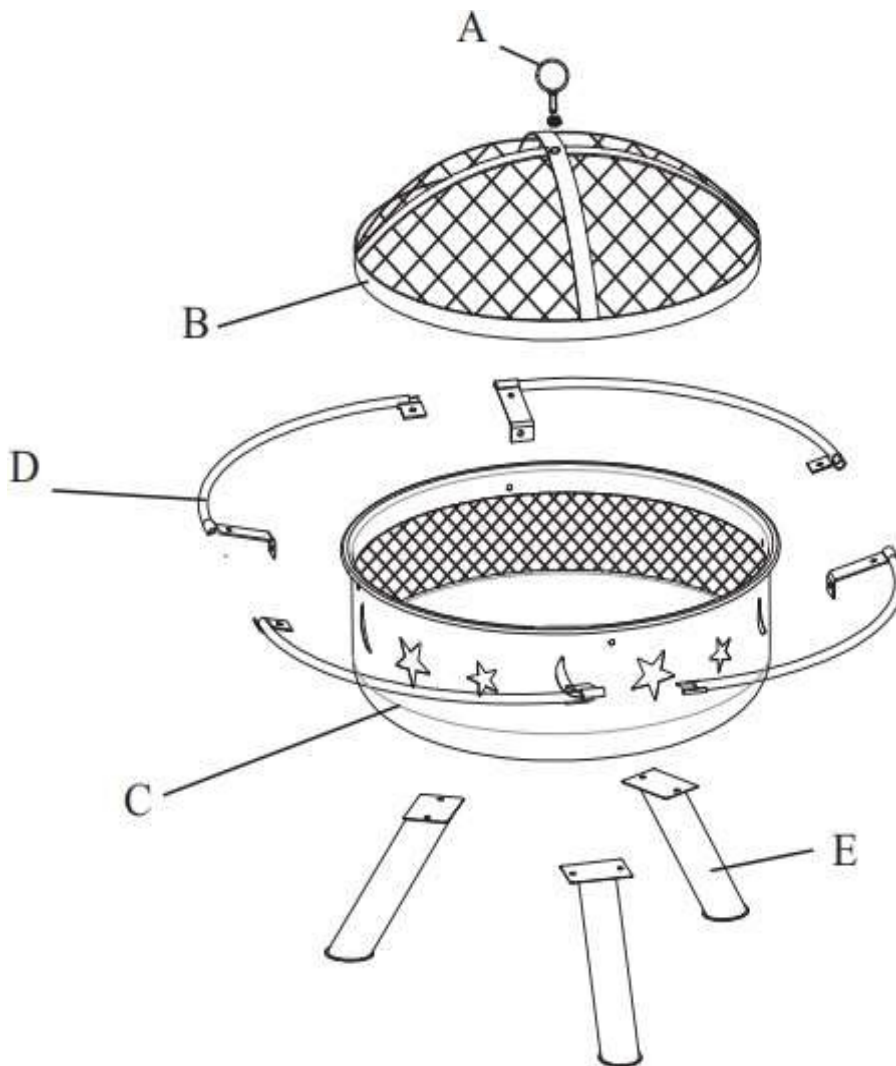
HARDWARE LIST:

	PARTS	QTY
1		$\frac{3}{4}$ " BOLT 10 PC
2		11PC

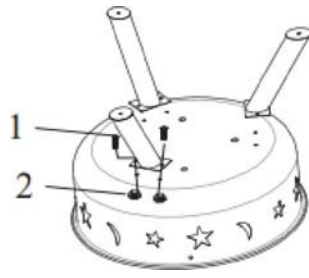
	PARTS	QTY
3		1 Inch BOLT 4 PC

STEP-BY-STEP ASSEMBLY INSTRUCTIONS

- ★ When applicable, tighten all hardware connections by hand first.
- ★ Once this step is completed, go back and fully tighten all hardware.
- ★ Follow all steps, in order, to properly assemble the product.



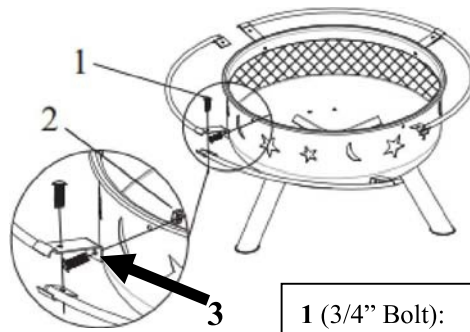
Step: 1





1 & 2:  x 6

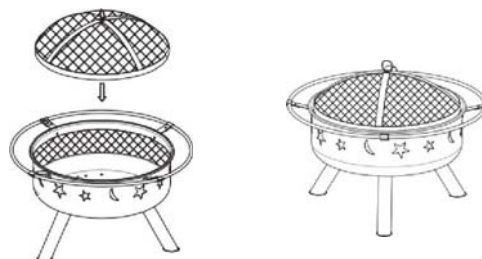
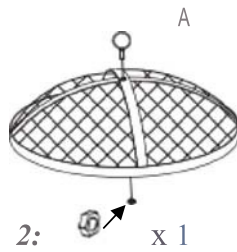


Step: 2



1 (3/4" Bolt):		x 4
3 (1" Bolt) & 2 (Washer):		x 4

Step:3



WARNING

FOR YOUR SAFETY

1. This appliance is for outdoor use only, and shall NOT be used in a building, garage, or any other enclosed area.
2. Do NOT use this outdoor fireplace for indoor heating. TOXIC carbon monoxide fumes can accumulate and cause asphyxiation.
3. This is not intended for commercial use.
4. This outdoor fireplace is NOT to be operated by children.
5. Please do not use the fire pit on boats or recreational vehicles.
6. When using this outdoor fireplace, exercise the same precautions you would with any open fire.
7. The use of alcohol, prescription or non-prescription drugs may impair the consumers ability to properly assemble or safely operate this outdoor fireplace.
8. Do NOT use this outdoor fireplace without reading the entire "Instruction Manual".
9. This outdoor fireplace is for use with dry, seasoned hardwood. It will burn hotter, more completely and create less smoke.
10. Do NOT burn charcoal briquettes, lump charcoal, manufactured logs, driftwood, trash, leaves, paper, cardboard, plywood, painted or stained or pressure treated wood. Avoid using softwoods such as pine or cedar that can throw sparks.
11. Do NOT alter this outdoor fireplace in any manner.
12. Do NOT use this outdoor fireplace until it is COMPLETELY assembled and all parts are securely fastened and tightened.
13. Do NOT store or use gasoline or other flammable vapors or liquids in the vicinity of this or any other appliance.
14. Do NOT store or use an LP gas cylinder within 10 feet (3.05 m) of this outdoor fireplace while it is in operation.
15. Do NOT use this outdoor fireplace near automobiles, trucks, vans or recreational vehicles.
16. Do NOT use in a combustible environment. Keep outdoor fireplace area clear and free from ignitable materials, gasoline and other flammable liquids.
17. Do NOT use this outdoor fireplace under any overhead or near any unprotected combustible construction. Avoid using near or under overhanging trees and shrubs.
18. Always use this outdoor fireplace on a hard, level non-combustible surface such a concrete, rock or stone. An asphalt or blacktop surface may not be acceptable for this purpose. Do NOT use on wooden decks.
19. Always empty this outdoor fireplace before each use.
20. Do NOT wear flammable or loose clothing when operating this outdoor fireplace.
21. Do NOT use in windy conditions.
22. Do NOT use this outdoor fireplace unless spark guards are securely in place.
23. Do NOT use gasoline, kerosene, diesel fuel, lighter fluid or alcohol to light or relight fires.
24. Keep all electrical cords away from a hot fireplace.
25. All surfaces of this outdoor fireplace are hot when in operation. To avoid burns, do NOT touch fireplace until it has completely cooled unless you are wearing protective gear (Potholders, gloves, BBQ mittens, hot pads etc.). Never touch ashes or coals to see if they are hot.
26. Do NOT leave a lit outdoor fireplace unattended, especially around children and pets.
27. Do NOT attempt to move or store this outdoor fireplace until all ashes and coals are completely extinguished.

28. Do NOT remove ashes or coals until they are completely and fully extinguished.
29. Use heat-resistant gloves or hot pads when contacting handles.
30. Use long, sturdy fireplace tools when adding or moving logs.
31. Do NOT place wood directly into bottom of the outdoor fireplace. Place wood only on the wood grate.
32. Do NOT overload the fireplace. Do not add additional firewood until the fire burns down. NOTICE: If any portion of the bowl, lid or spark guards of this outdoor fireplace are glowing red it is overloaded.
33. Do NOT lean over this outdoor fireplace when lighting or when in use.
34. Do NOT place a hot spark guard or hot fireplace tools onto combustible surfaces such as grass, wooden deck or furniture.
35. Avoid breathing smoke from the fire and avoid getting it into your eyes.
36. This outdoor fireplace should be thoroughly inspected and cleaned on a regular basis.
37. After a period of storage and/or non-use, check for signs of damage and creosote build-up. Do NOT operate until necessary repairs and/or cleanup are executed.
38. Use only factory authorized parts. The use of any part that is NOT factory authorized can be dangerous.
39. Do not force parts together as this can result in personal injury or damage to the product.
40. Deaths, serious injury or damage to property may occur if the above is not followed exactly.

OPERATING INSTRUCTION:

Lighting

1. Make sure there is no more than a small amount of ash in the bottom of the bowl.
2. Place a layer of dry kindling or a natural fire starter onto the center of the grate.
3. Place above that a layer of dry seasoned hardwood that is cut to lengths no more than 3/4 the diameter of the bowl.
4. Use a match to light kindling or fire starter.
5. Using a hook and heat resistant gloves, replace spark guard once the kindling or fire starter is lit.

Tending the Fire

You may need to shift and/or add logs for an ideal experience.

Do NOT place a hot spark guard or hot fireplace tools onto combustible surfaces such as grass, wooden deck or furniture.

1. Using a hook and heat resistant gloves, carefully remove spark guard.
2. While using a long-handled fireplace tool, shift coals and logs to allow additional airflow.
3. Do NOT add gasoline, kerosene, diesel fuel, lighter fluid or alcohol to relight or enhance an existing fire.
4. Wait until glowing coals have developed before adding any additional wood. If additional wood is required, place wood on top coals. Be careful not to shift ashes.
5. Using a hook and heat resistant gloves, replace spark guard.

Extinguishing

1. Allow fire to burn out on its own.
2. Do NOT use water to extinguish as this is dangerous and can cause damage to this outdoor fireplace.

Inspecting

This outdoor fireplace should be inspected on a regular basis to ensure product safety and longer product life.

Do NOT attempt to inspect this outdoor fireplace until the fire is COMPLETELY out

1. Check handles to make sure they are secure.
2. Check components for any signs of damage or rust.
3. If damage to any component is detected, do NOT operate until repairs are executed.

Cleaning

This outdoor fireplace should be cleaned on a regular basis to promote safer experiences and longer product life. Note: After repeated use, a slight discoloration of the finish may occur.

Do NOT attempt to clean this outdoor fireplace until the fire is COMPLETELY out.

Do NOT use oven cleaner or abrasive cleaners as they will damage this product.

Do NOT clean any part of this outdoor fireplace in a self-cleaning oven as it may damage the finish.

Do NOT use a pressure washer to clean this outdoor fireplace, as this may damage this product

1. Wipe exterior surfaces with a mild dishwashing detergent or baking soda.
2. For stubborn surfaces use a citrus based degreaser and a nylon scrubbing brush.
3. Rinse clean with water.
4. Remove built-up creosote from base, hood and spark guards with a chimney cleaning product

Storage

Do NOT move or store this outdoor fireplace until the fire is COMPLETELY out.

1. Once the fire is out, coals are cold and outdoor fireplace is cool to the touch, remove ashes and properly dispose.
2. Cover the outdoor fire pit with the enclosed cover when it is not in use.
3. Store assembled in a location away from children and pets.

