



**Toccata™**  
Top-mount Kitchen Sink  
**K-3348-3**

**Features**

- 27-inch minimum base cabinet width.
- Single bowl.
- Three faucet holes.
- 25" (635 mm) x 22" (559 mm)

**Material**

- 18-gauge stainless steel.

**Installation**

- Top-mount

**Optional Accessories**

K-8801 Sink Strainer

1177161 Installation Clip Kit

**Components**

Product includes:

1177160 Hardware Kit, Top-mount

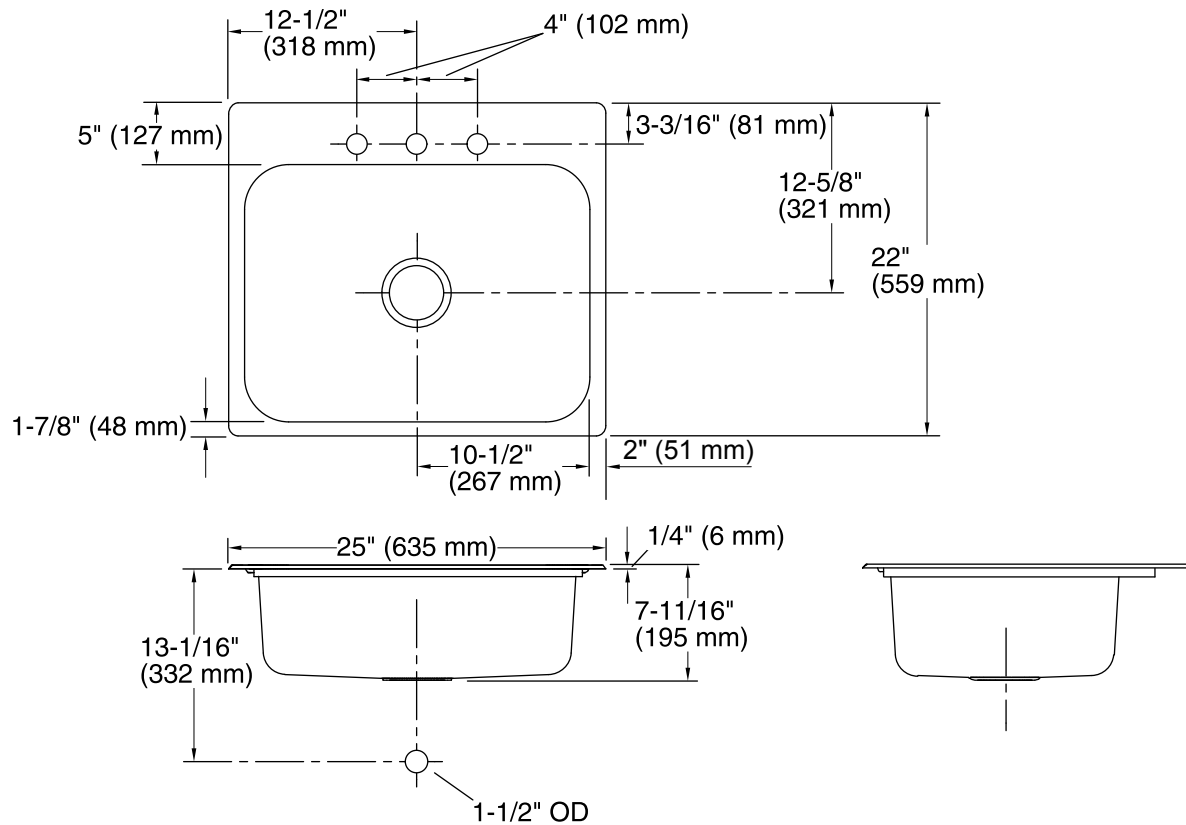


**Codes/Standards**

ASME A112.19.2/CSA B45.1

**Lifetime Limited Warranty for  
KOHLER® Stainless Steel Sinks**

See website for detailed warranty information.



### Technical Information

All product dimensions are nominal.

Bowl configuration:	Single
Installation:	Top-mount
Cutout:	Top-mount, 24-1/2" x 21-1/2" (622 mm x 546 mm) with 1/2" (13 mm) radius corners
Min. base cabinet width:	27" (686 mm)
Bowl area (Only):	Length: 21" (533 mm) Width: 15-1/4" (387 mm) Bowl depth: 8" (203 mm)
Number of deck holes:	3
Faucet hole(s):	1-7/16" (37 mm)
Drain hole:	3-5/8" (92 mm)

### Notes

Install this product according to the installation instructions.  
Installer must supply mounting hardware for countertops of 2-1/2" (64 mm) thickness or less. Refer to installation kit 1177161.