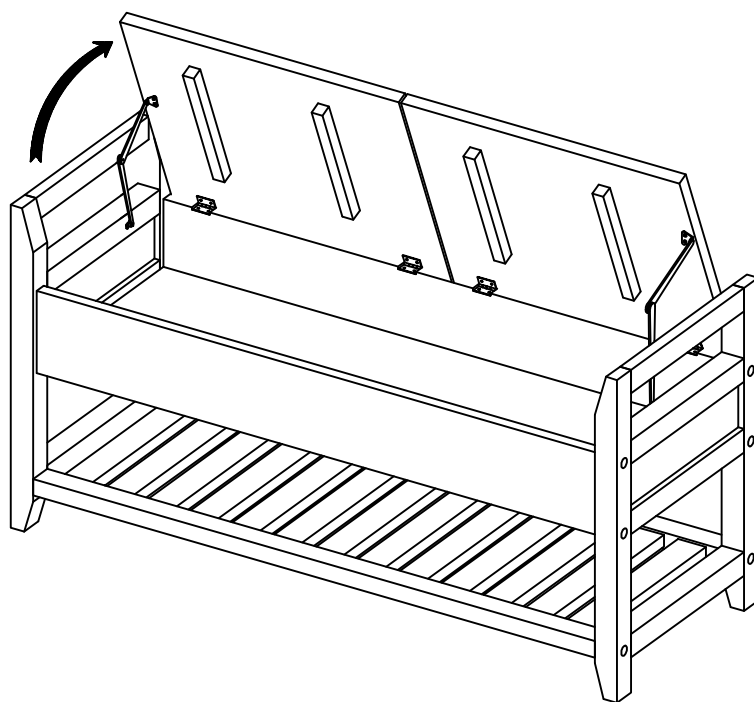
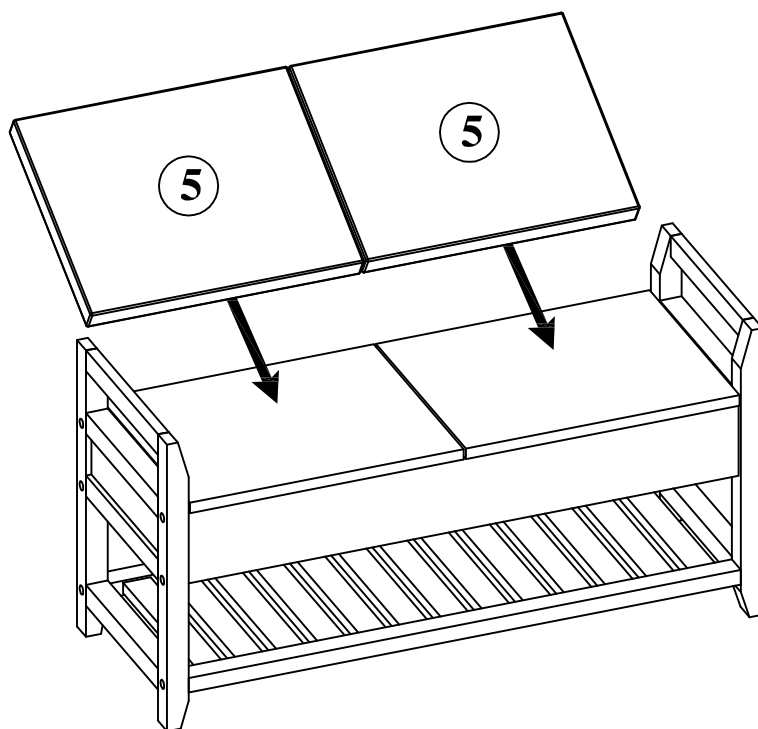


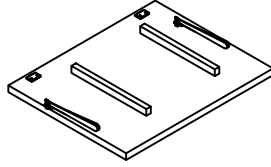
ITEM#3432 ASSEMBLY INSTRUCTIONS



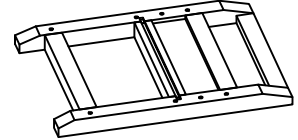
ITEM#3432 ASSEMBLY INSTRUCTIONS

Parts List

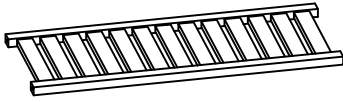
1. SEAT WOOD (L+R)
2 pieces



2. LED
2 pieces



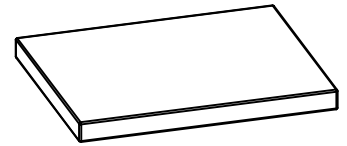
3. SHELF
1 piece



4. BOTTOM PANEL
1 piece



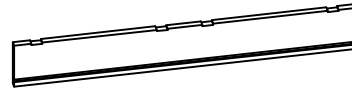
5. SEAT CUSHION
2 pieces



6. FRONT PANEL
1 piece



7. BACK PANEL
1 piece



Hardware List

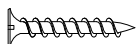
8. BOLT
12 pieces



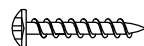
9. ALLEN KEY
1 piece



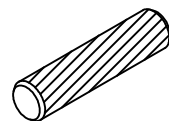
10. SCREW WITH
8 pieces



11. SCREW ROUND
4 pieces



12. WOODEN PEGS
4 pieces



ITEM#3432 ASSEMBLY INSTRUCTIONS

STEP 1

