


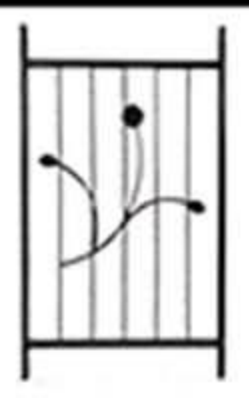


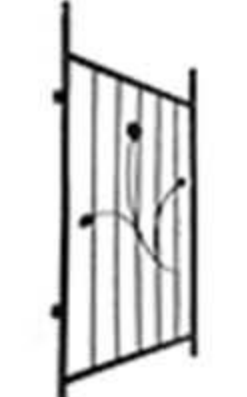
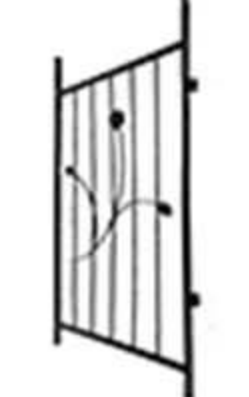




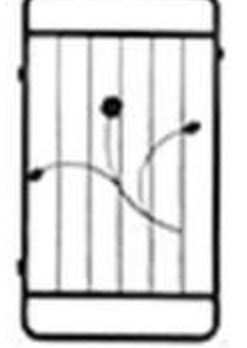
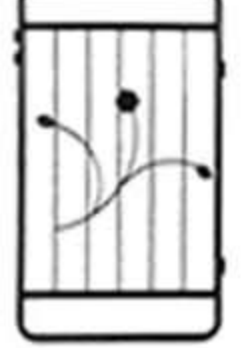
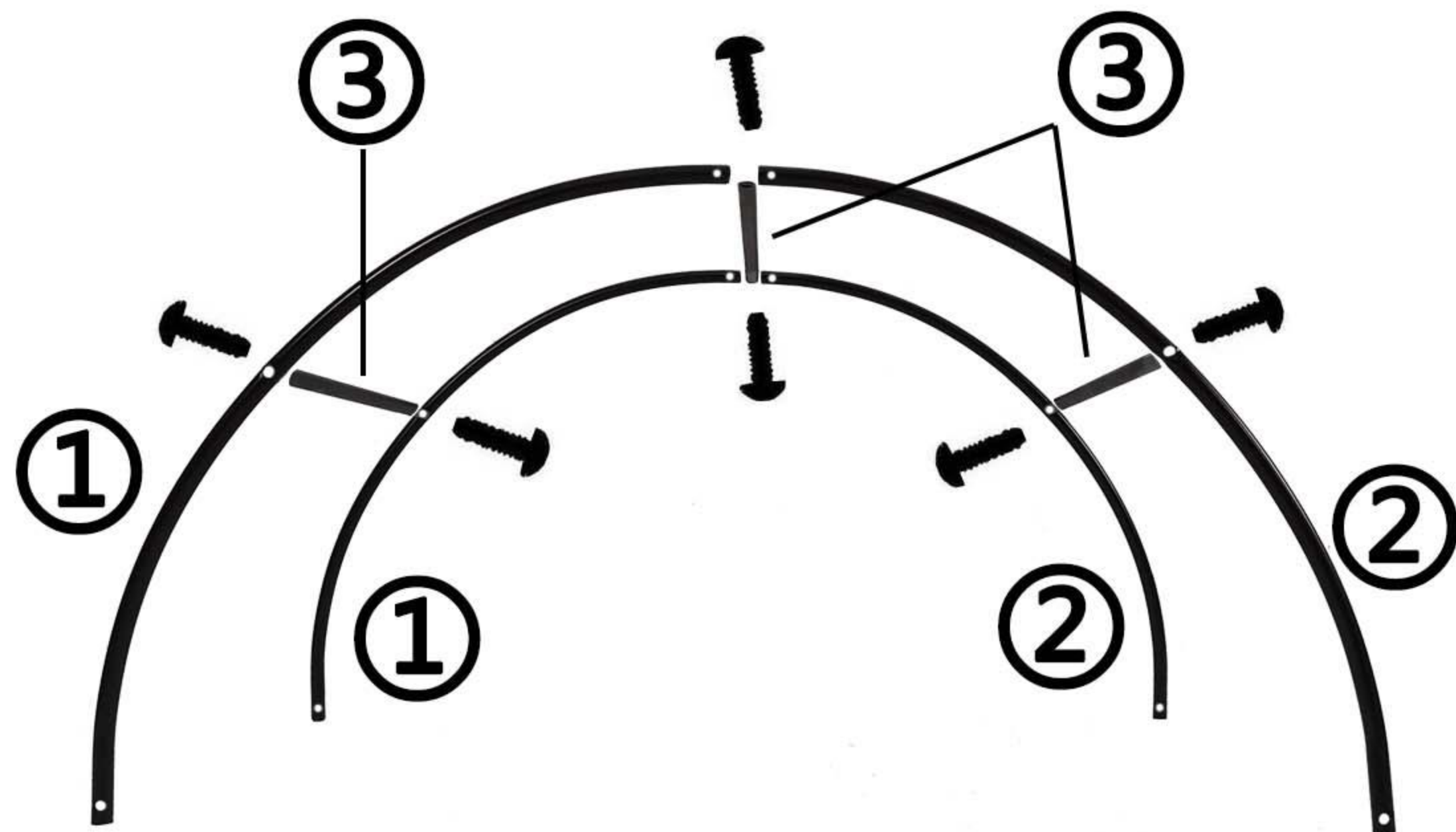


INSTRUCTION

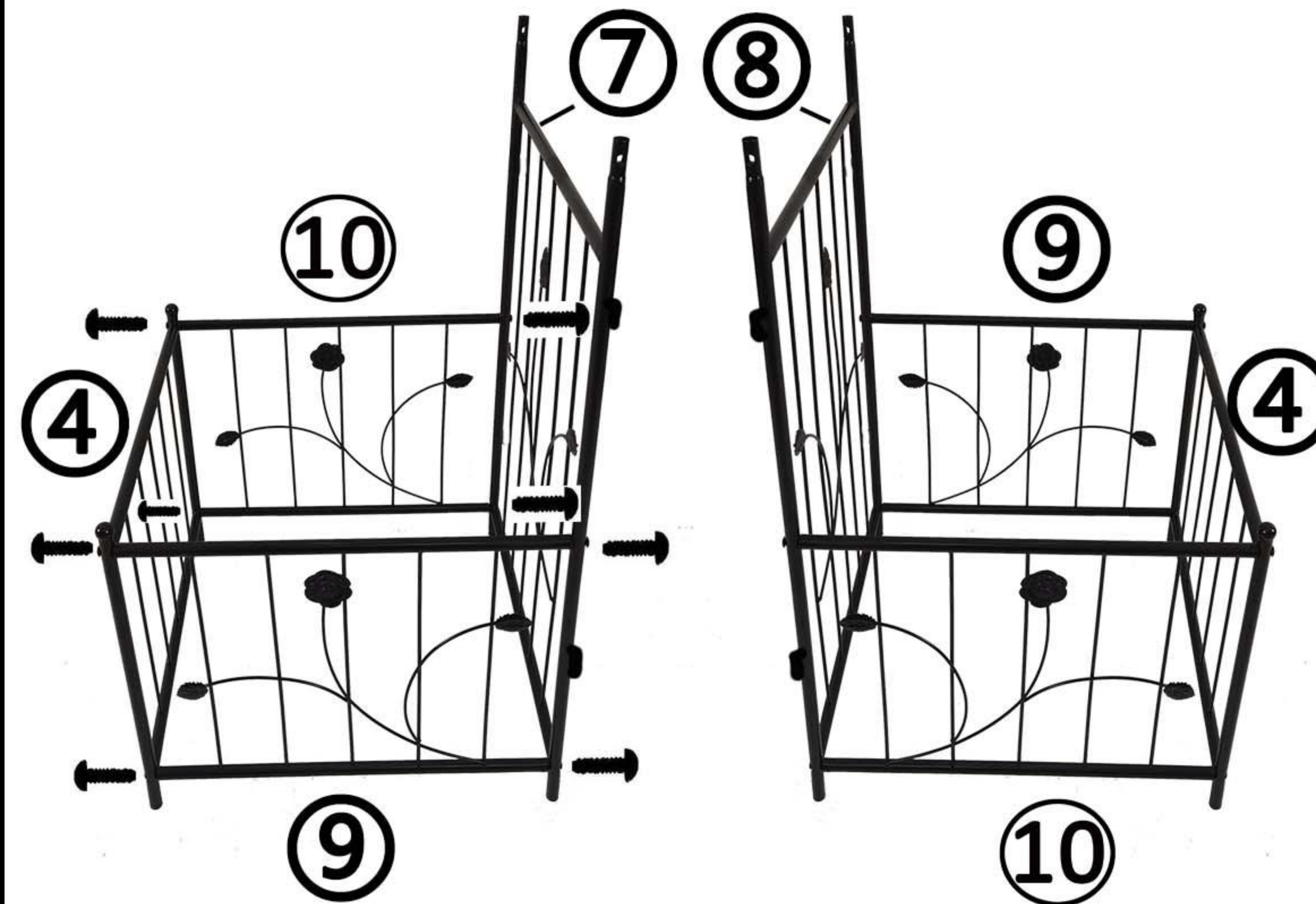
 30 pcs	 8 pcs	 ⑤ 1 pc	 ⑥ 1 pc
 ① 2 pcs	 ② 2 pcs	 ⑦ 1 pc	 ⑧ 1 pc
 ③ 3 pcs	 ④ 2 pcs	 ⑨ 2 pcs	 ⑩ 2 pcs
		 ⑪ 1 pc	 ⑫ 1 pc

Step 1. Assemble the top.

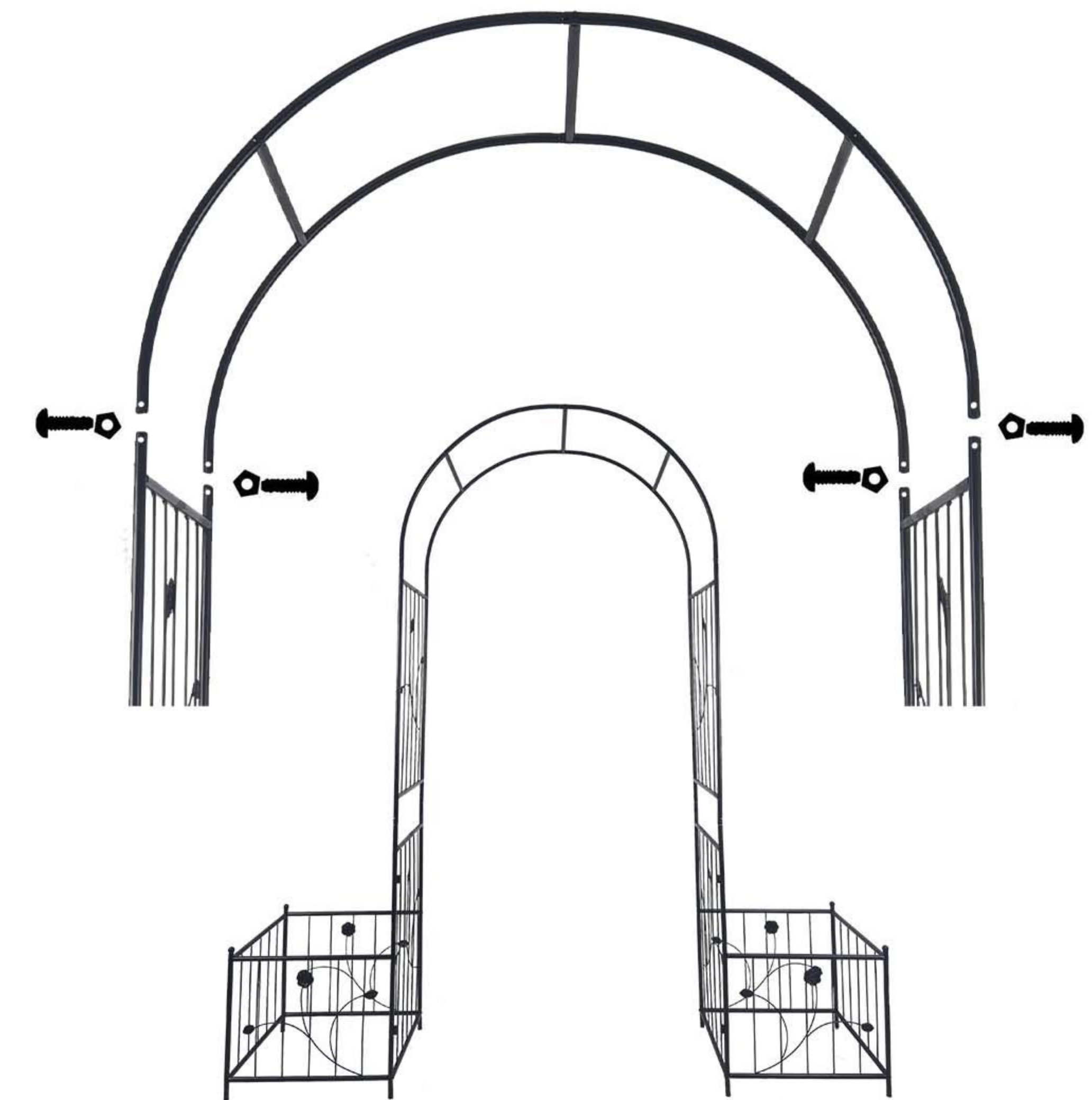


Please note that the leaves decos are facing outwards !

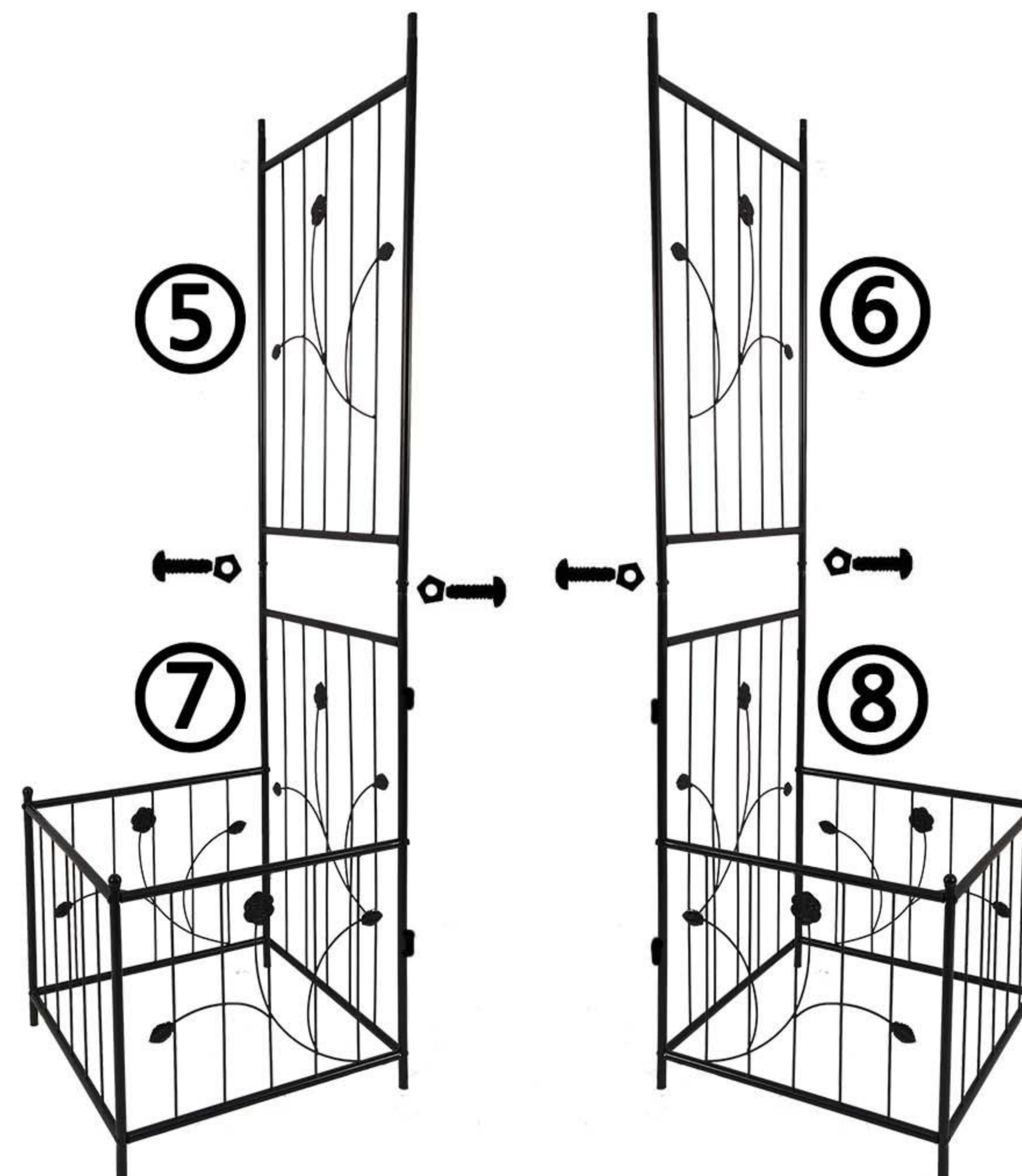
Step 2. Assemble the flower stands..



Step 5. Connect the top and the side parts.



Step 3. Assemble the side parts.



Step 6. Assemble the door.

