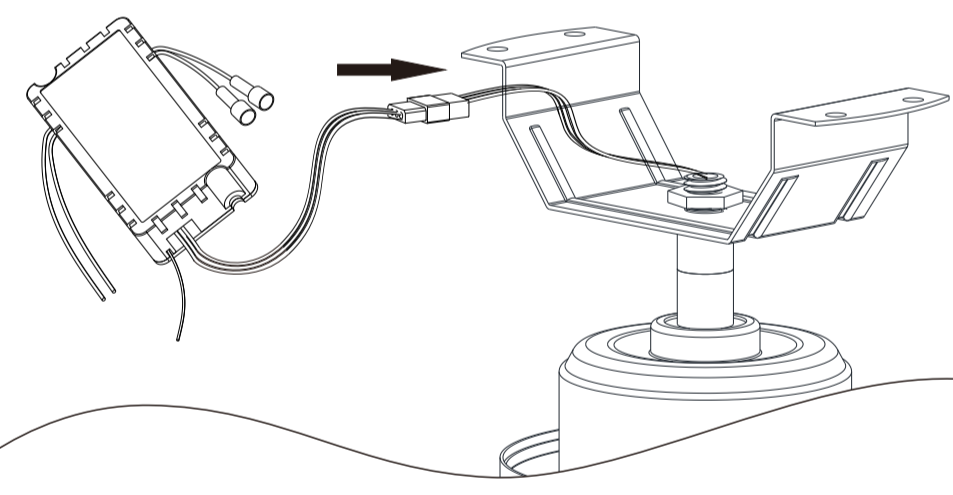


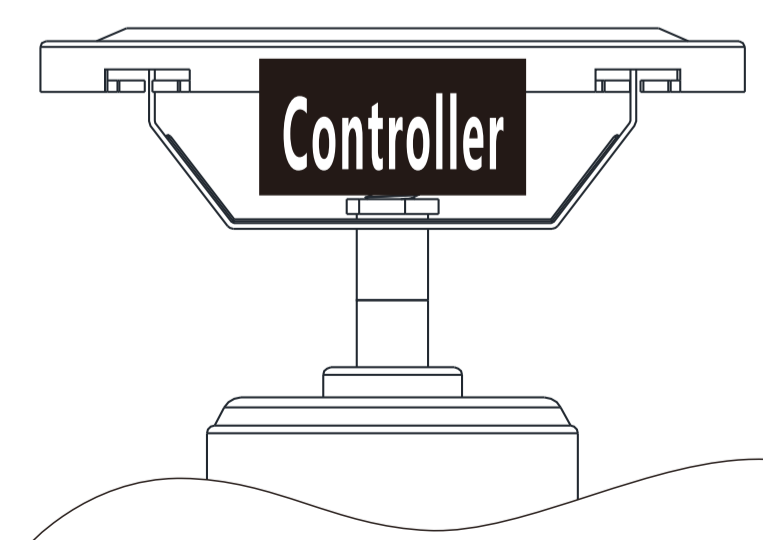
**52-INCH DEROCATE CEILING FAN
USE AND CARE GUIDE**

Install remote control



- Carefully push the canopy to the bottom of the mounting bracket, make two sliding holes aligned to the two prominent screws on the mounting bracket, and then turn clockwise until tight.
- Push the canopy ring to the bottom of the canopy, slide the inner holes aligned to the two prominent screws on the mounting bracket again, and turn the canopy ring clockwise until tight.

Preparing for mounting

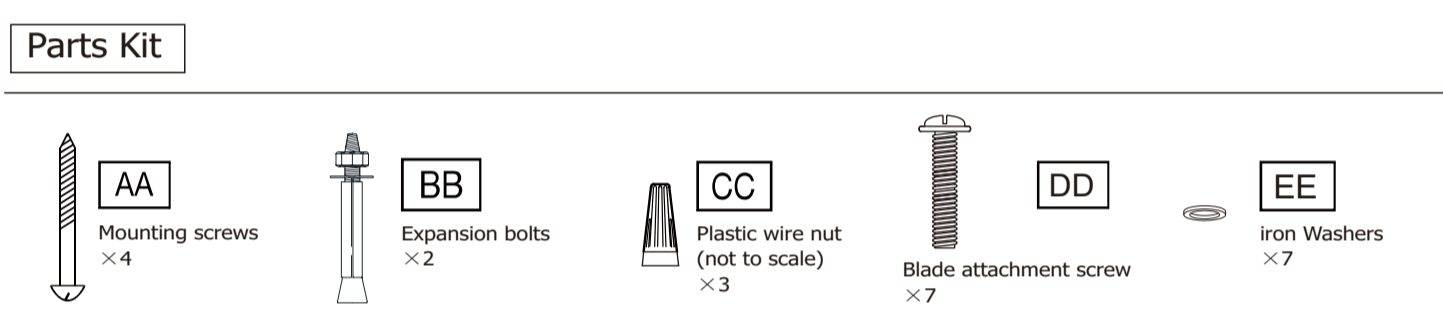
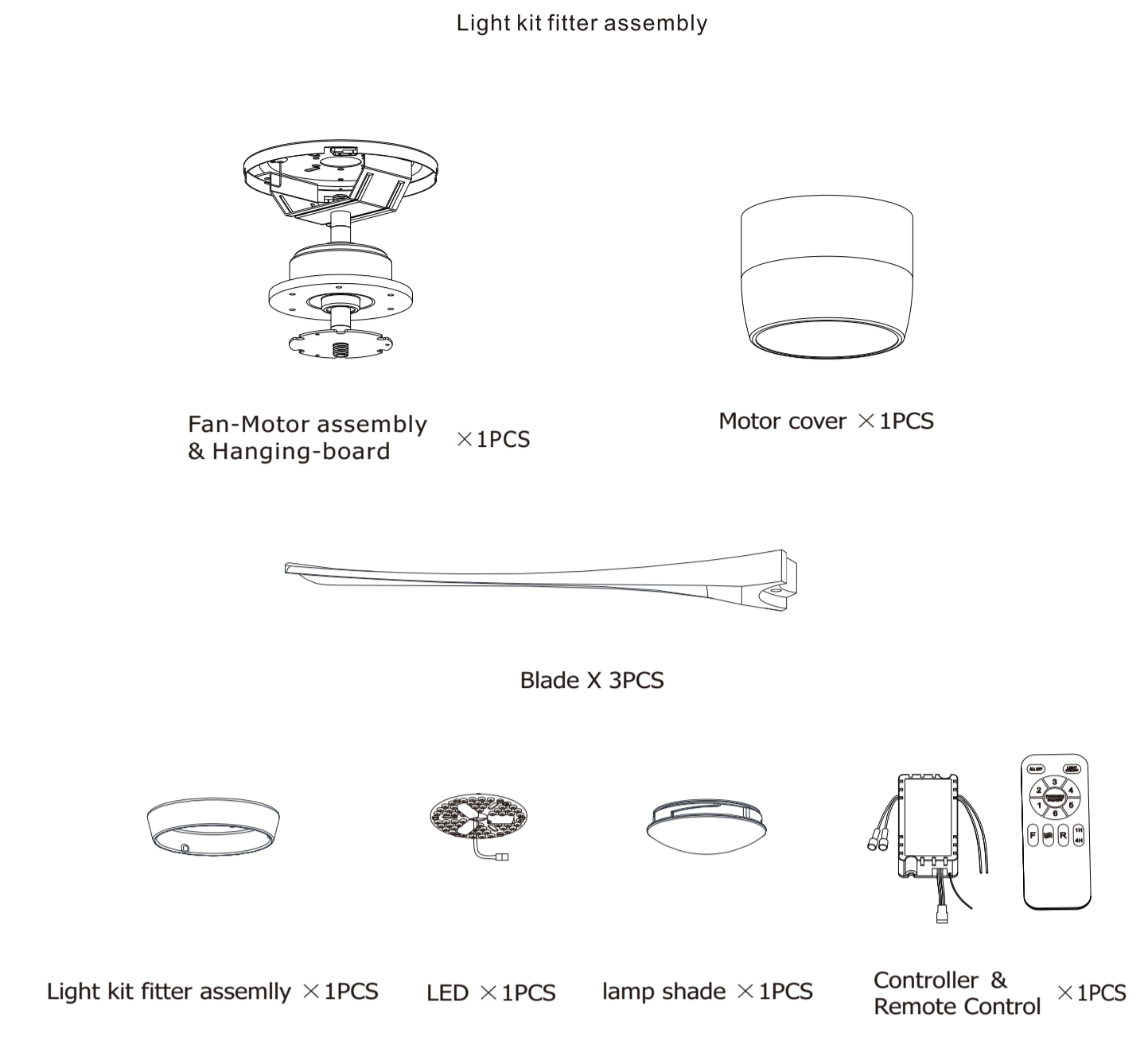


- Remove the mounting bracket from the canopy by loosening the two canopy screws located in the L-shaped slots.
- Remove and save the two canopy screws in the round holes. This will enable you to remove the mounting bracket.

LIGHT MUST BE KEPT AT THE ON POSITION

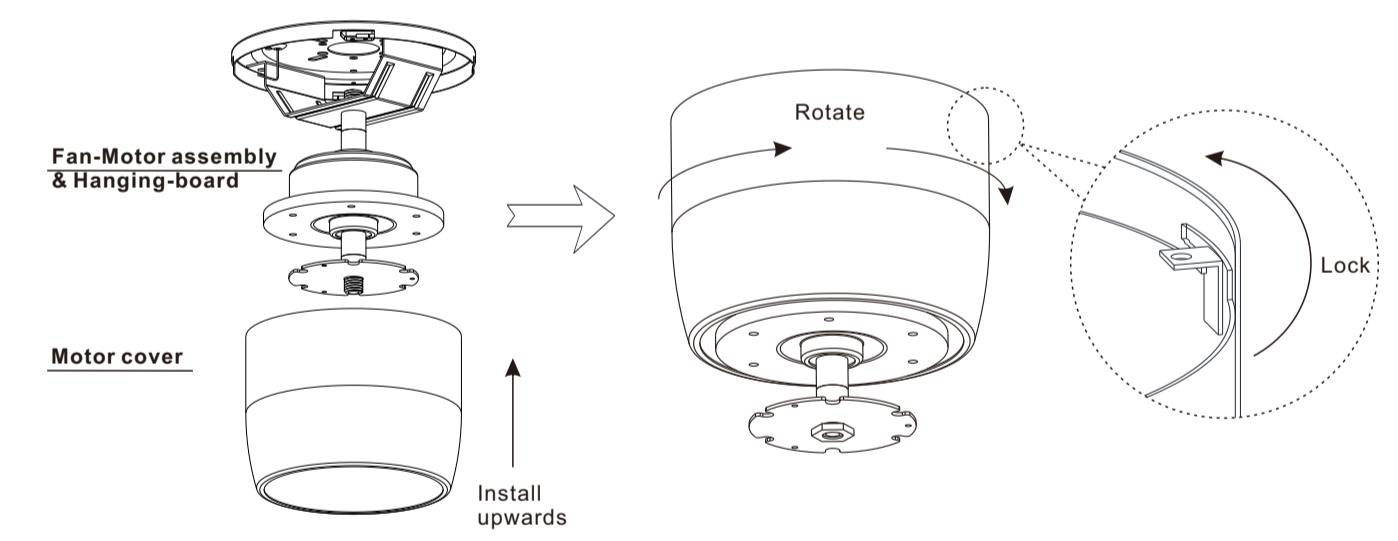
FAN MUST BE KEPT AT THE HIGH SPEED

Pre-Installation

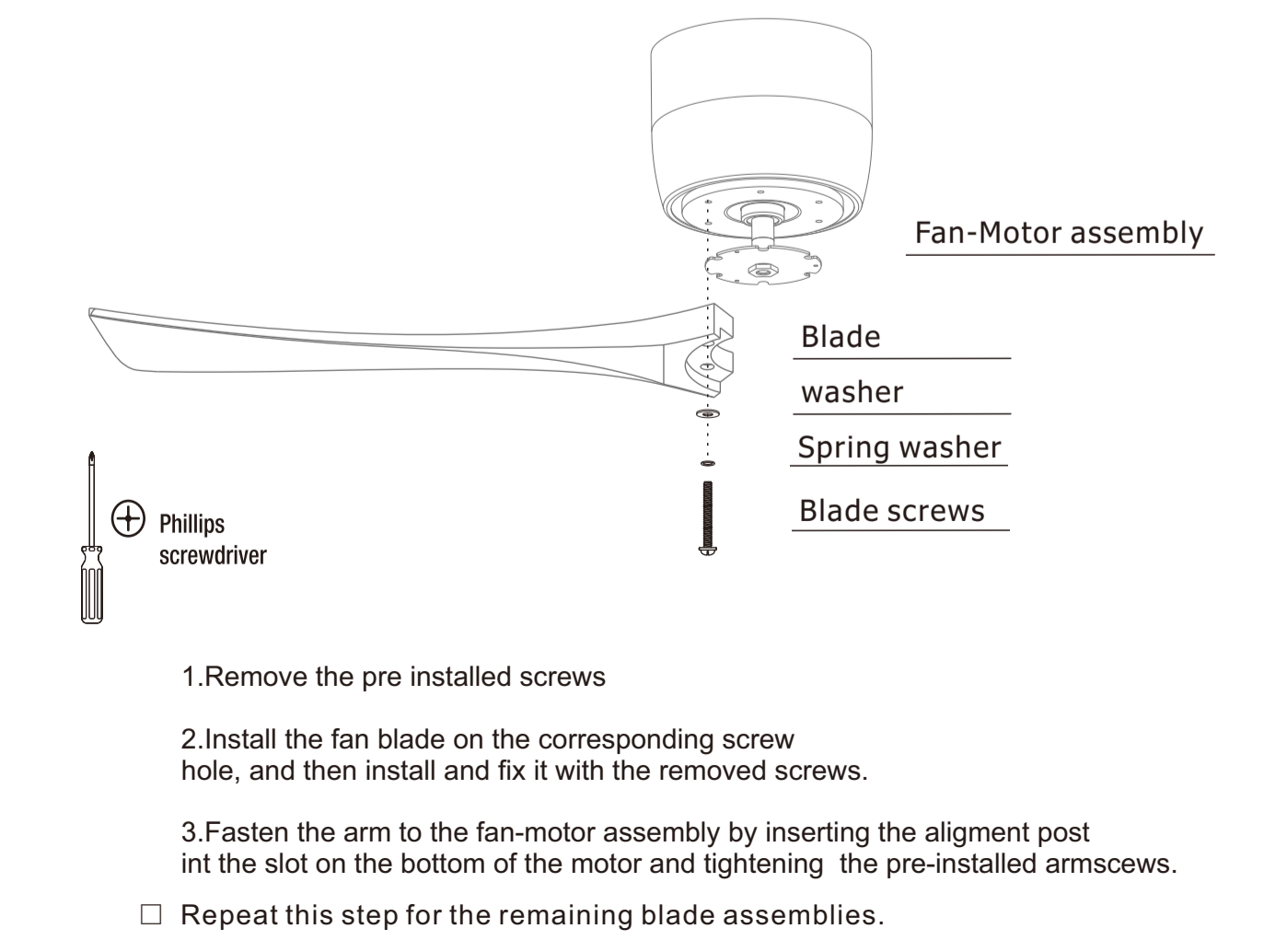


NOTE Hardware not shown to actual size.

Fastening the blade arms to the motor



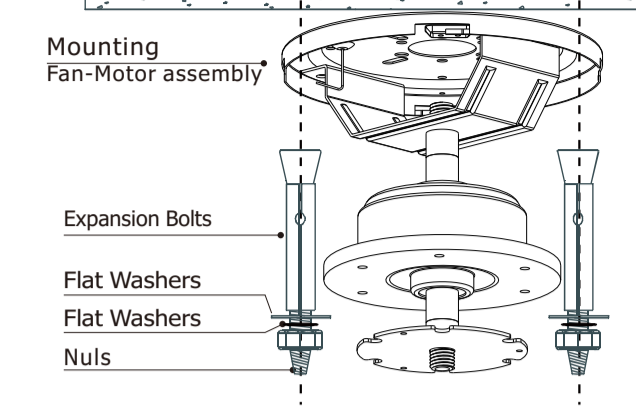
- Lift the motor cover up to the ceiling plate.
- Make the L-shaped connector contact the notch recess and rotate it to the right.
- Secure the connectors and clips in place.



- Remove the pre-installed screws.
 - Install the fan blade on the corresponding screw hole, and then install and fix it with the removed screws.
 - Fasten the arm to the fan-motor assembly by inserting the alignment post into the slot on the bottom of the motor and tightening the pre-installed armscrews.
- Repeat this step for the remaining blade assemblies.

Installation of the hanging bracket

CONCRETE CEILING

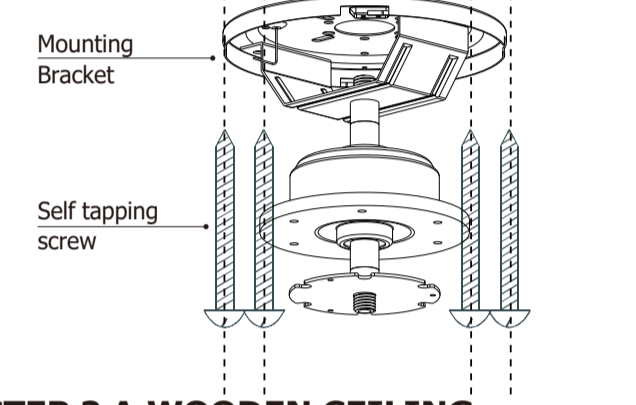


For concrete ceiling, use the percussion bit with diameter 8mm to drill holes according to the length of expansion screws. Then use the attached expansion screws to fix the hanging bracket onto the ceiling (selection is made according to actual requirements of the customers).

- STEP 1 A-CONCRETE CEILING**
- SWITCH OFF THE ELECTRICAL MAINS AT THE CIRCUIT BREAKER FUSE BOX.
- Use the Mounting Bracket as a guide, mark the spots where the 4 Expansion Bolts will be drilled.
 - Remove the Mounting Bracket, drill 2 holes and insert 2 Expansion Bolts into the concrete ceiling, install the mounting bracket and secure with Flat Washers, Spring Washers and Nuts.

IMPORTANT: SCREWS & NUTS MUST BE TIGHTENED TILL SNUG

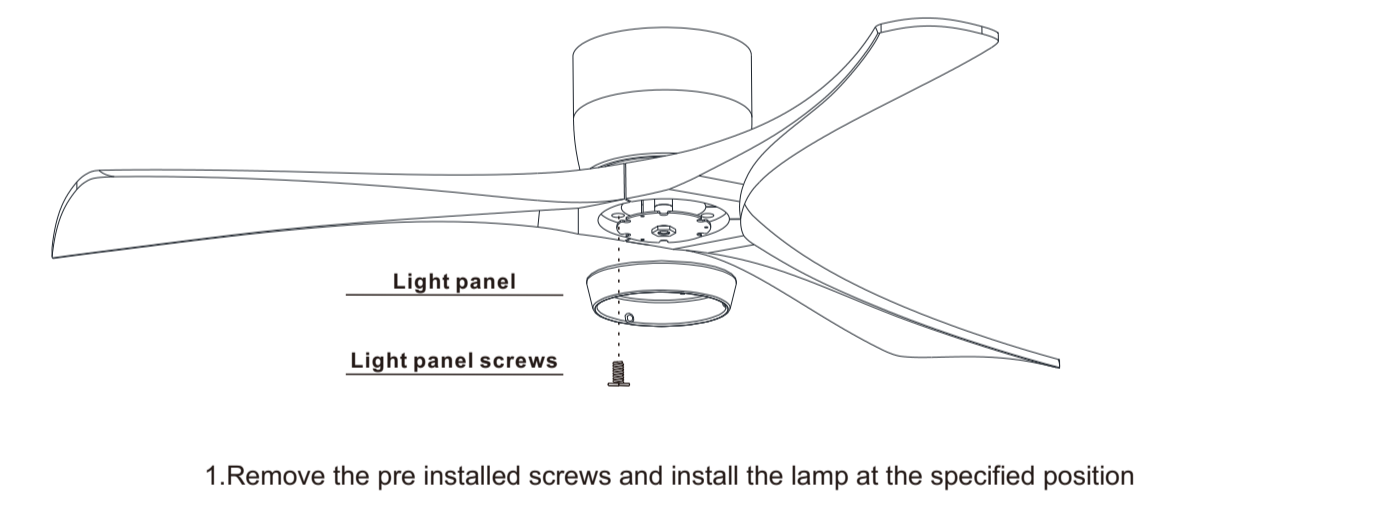
WOODEN CEILING



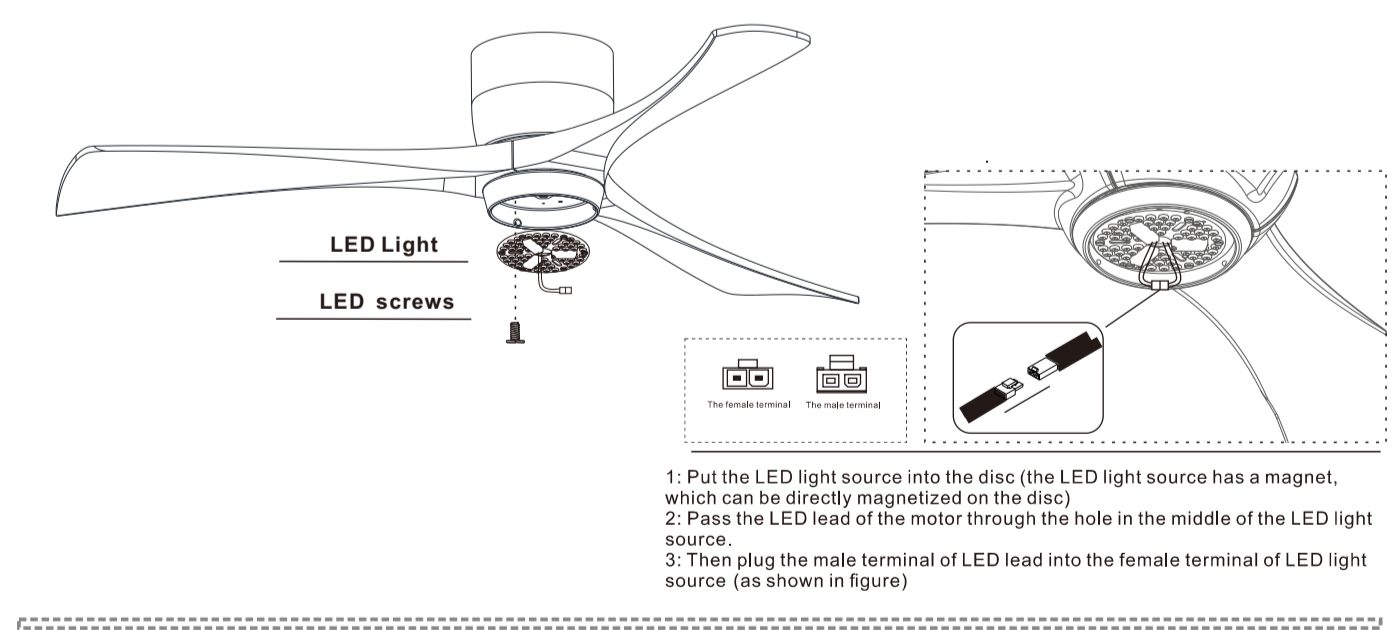
For wooden ceiling, use wood screw to drill on the wooden beam or the "junction box" to fix the hanging bracket (selection is made according to actual requirements of the customers).

- STEP 2 A-WOODEN CEILING**
- SWITCH OFF THE ELECTRICAL MAINS AT THE CIRCUIT BREAKER FUSE BOX.
- Use the Mounting Bracket as a guide, mark the spots where the 4 Self Tapping Screws will be drilled.
 - Remove the Mounting Bracket, drill 4 holes for 3MM diameter, install the mounting bracket onto wooden ceiling with the 4 Self Tapping Screws & Washers.

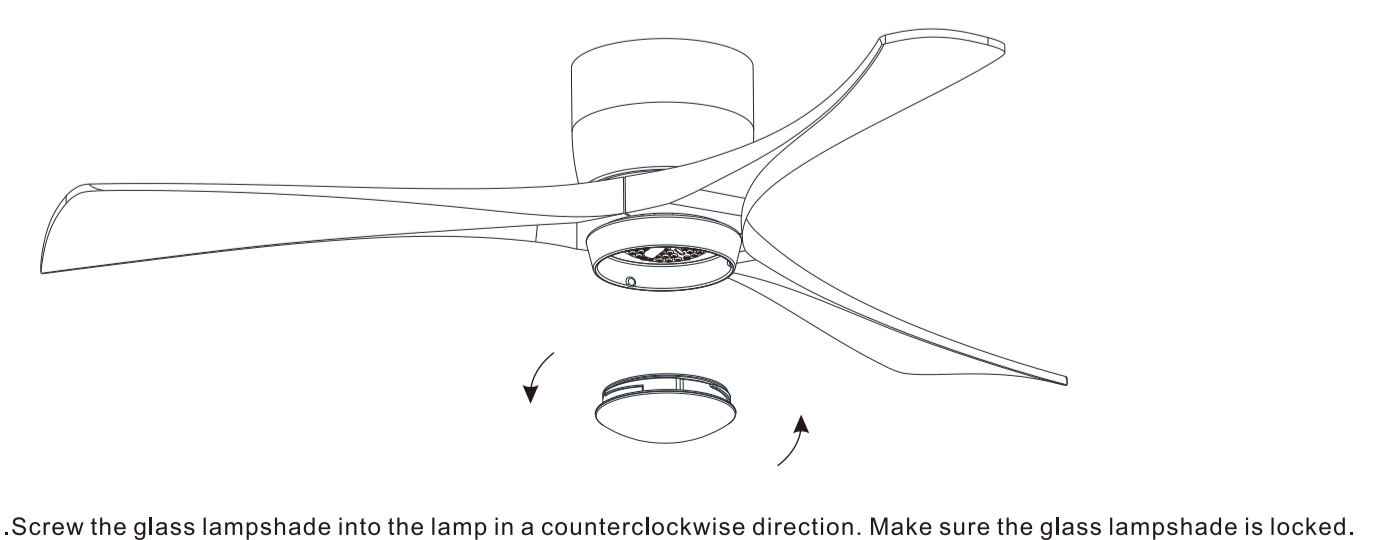
Fastening the blade arms to the motor



- Remove the pre-installed screws and install the lamp at the specified position.



- Put the LED light source into the disc (the LED light source has a magnet, which can be directly magnetized on the disc).
- Pass the LED lead of the motor through the hole in the middle of the LED light source.
- Then plug the male terminal of LED lead into the female terminal of LED light source (as shown in figure).



- Screw the glass lampshade into the lamp in a counterclockwise direction. Make sure the glass lampshade is locked.

Making the electrical connections

WARNING: Each wire not supplied with this fan is designed to accept up to one 12-gauge house wire and two wires from the fan. If you have larger than 12-gauge house wiring or more than one house wire to connect to the fan wiring, consult an electrician for the proper size wire nuts to use.

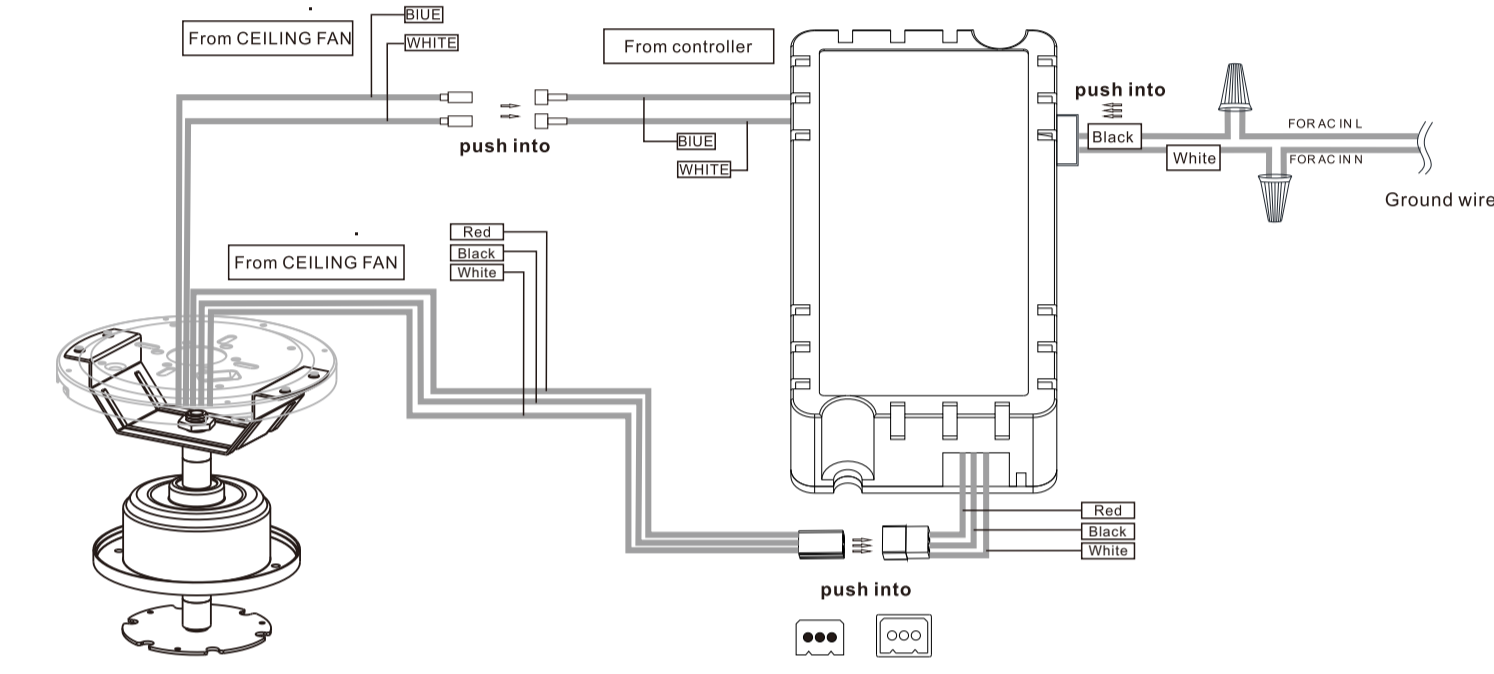
IMPORTANT: Use the plastic wire connectors (BB) supplied with your fan. Secure the connectors with electrical tape and ensure there are no loose strands or connections.

WARNING: Remove the rubber motor stops on the bottom of the fan before installing the blades or testing the motor.

WARNING: Each wire not supplied with this fan is designed to accept up to one 12-gauge house wire and two wires from the fan. If you have larger than 12-gauge house wiring or more than one house wire to connect to the fan wiring, consult an electrician for the proper size wire nuts to use.

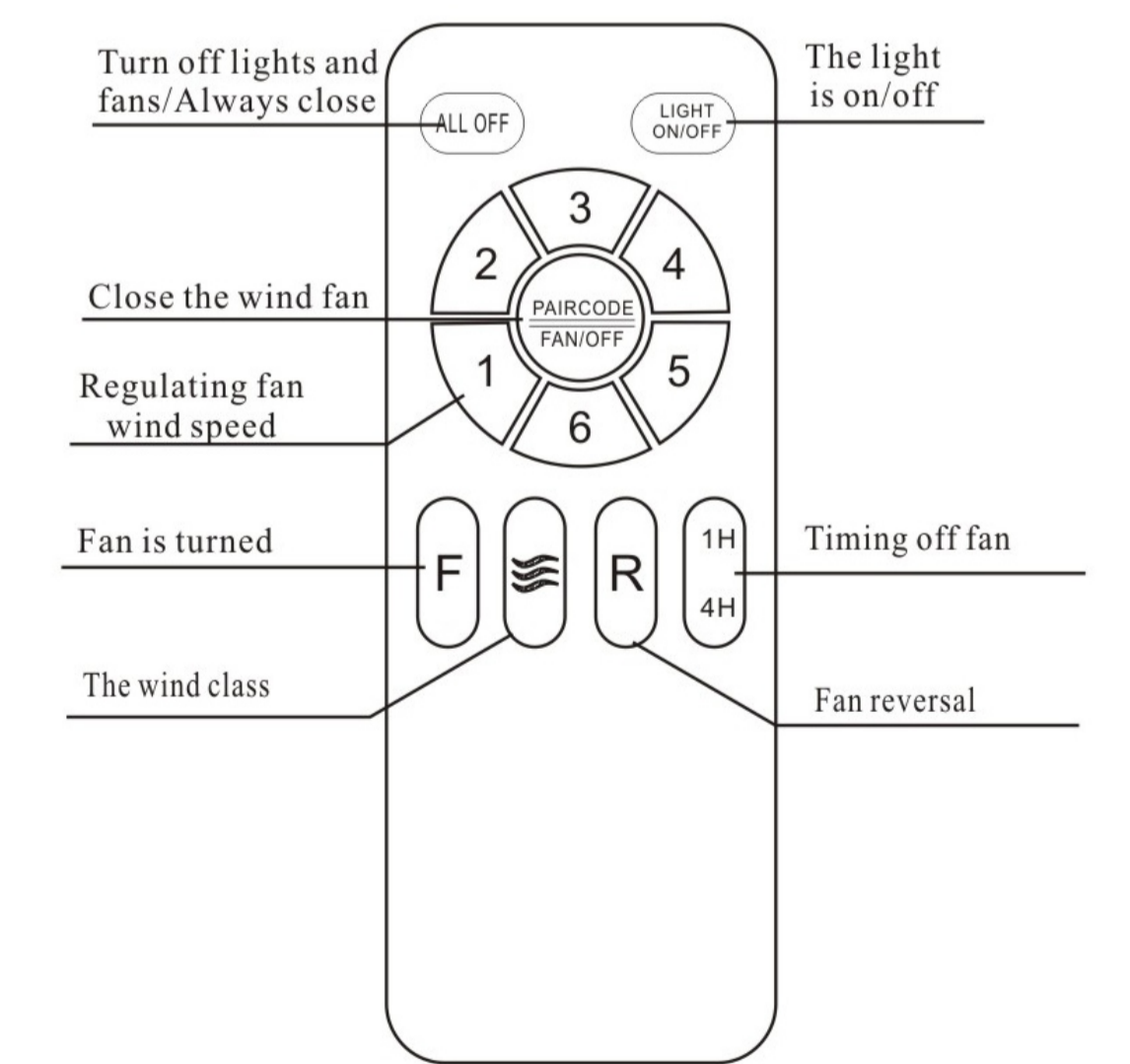
WARNING: Remove the rubber motor stops on the bottom of the fan before installing the blades or testing the motor.

IMPORTANT: Use the plastic wire connectors (BB) supplied with your fan. Secure the connectors with electrical tape and ensure there are no loose strands or connections.



Use of remote control

VARIABLE FREQUENCY FAN LAMP REMOTE CONTROL MANUAL VARIABLE



Turn on the controller, then you will hear a sound "Di". Press "FAN" within 2 minutes till you hear the sound "DiDi". Check code is done. If not, turn off the controller, and repeat it after 1 minute.

Code Clear: Within 5 seconds upon turning on, long press "ALL OFF" button, the light flashes 2 times, then the action is done.

IF THE REMOTE CONTROL CANNOT BE EFFECTIVELY CONTROLLED, PLEASE CHECK THE BATTERY, AND REMOVE THE BATTERY IF NOT IN USE FOR A LONG TIME.