

Life Gets Better With

# USE AND CARE GUIDE

**E02GA003-BL-N/E02GA003-GR-N**



Questions, problems, missing parts? Before returning to the store,  
please contact our Customer Service

**[service@alphamarts.com](mailto:service@alphamarts.com)**

---

*THANK YOU*

# Table of Contents

---

Table of Contents .....	2	Pre-assembly .....	3
Safety Information .....	2	Assembly .....	4-5
Warranty .....	2	Care And Maintenance .....	6
What is Covered .....	2		
What is Not Covered .....	2		

## Safety Information

---

- Keep all flame and heat sources away from this canopy!
- DO NOT set-up or leave your Instant Canopy assembled in rain, snow, strong winds or any harsh weather conditions.
- Children under the age of 16 should not be engaged in the assembly, removal or disassembly of the product. Children under the age of 10 should be supervised by a competent adult while using this furniture.
- Please keep children out of the assembly area during assembly.
- This set is heavy, and may require two adults for safe assembly.
- Never use this product as a support. Do not shake, lean, or climb on the product at any time.
- Use tie-downs, stakes or weight bags to secure your Instant Canopy in windy conditions.
- Always follow directions when setting-up your Instant Canopy. Be aware of hands and fingers when expanding or collapsing frame.



**DANGER** : Keep all flame and heat sources away from this canopy!



**CAUTION**: Read all the instructions before assembly. Failure to do so may result in faulty assembly and potential injury!

## Warranty

---

### LIMITED WARRANTY

This warranty is a limited warranty, and applies to the original purchase is required. This is a residential warranty and does not apply to commercial use. This collection carries a (1) year limited warranty and is valid from original date of purchase to the original owner (proof of purchase required).

### WHAT IS COVERED

We warrant the frame to be free of Manufacturing defects to the original purchaser for one year.

### WHAT IS NOT COVERED

This warranty does not cover commercial use, hardware, acts of nature, fire, freezing and abusive.

In addition, purchased parts are not covered under this warranty.

We reserve the right to make substitutions with similar merchandise, if the model in question is no longer in production.

For a copy of our full limited warranty, please contact our customer service team below.

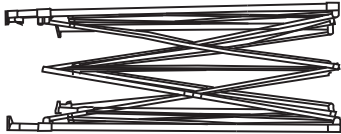


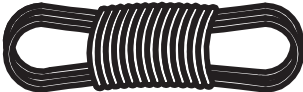

# Pre-assembly (continued)

Assemble the item on a soft, non-abrasive surface, such as lawn to avoid damaging the item. Seek assistance to assemble bulky or heavy items.



**NOTE:** Identify all parts packed in the carton against the parts list. Remove all the protective material carefully and DO NOT use a knife to prevent scratching the furniture.

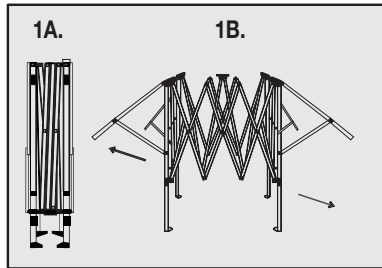
## PACKAGE CONTENTS

ITEM	PART	QTY (PCS)	PART NAME
<b>A</b>		1	Canopy Frame
<b>B</b>		2	Canopy Top
<b>C</b>		8	Stake
<b>D</b>		4	Wind Rope
<b>E</b>		1	Roller Bag

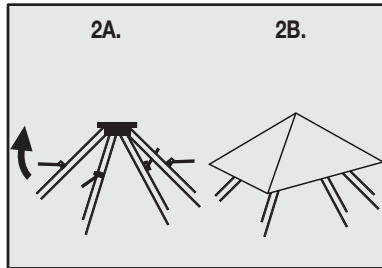


**NOTE:** Hardware not shown to actual size.

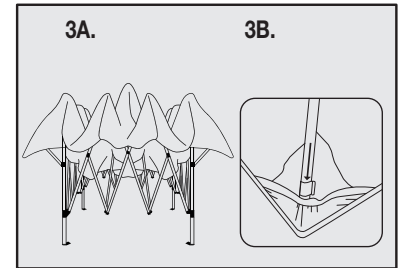
# Assembly



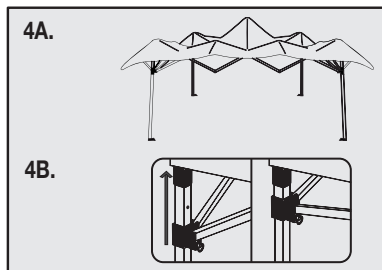
**1A)** Stand the Instant Canopy frame upright in the center desired set-up location.  
**1B)** Stand opposite a partner and lift frame off the ground walking backwards away from partner.



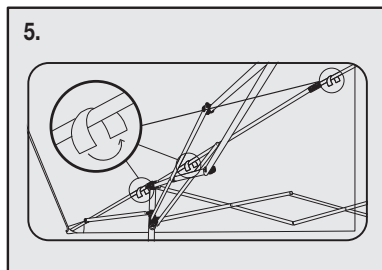
**2A)** Turn up each plastic part which connect to the roof pole.  
**2B)** Attach a small canopy top to the four plastic part to become a small roof.



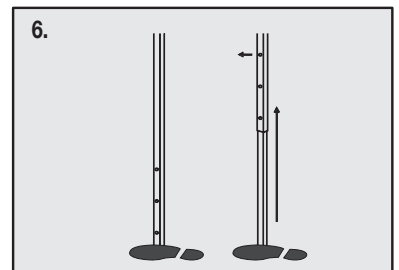
**3A)** Place canopy top over partially opened frame.



**4A)** Open frame completely  
**4B)** Engage the slider at each corner by placing one hand on the truss, one hand on the top of the leg and pushing up until the pin “clicks” in place.



**5)** Attach the hook and loop straps to each corner and overhead truss bars.

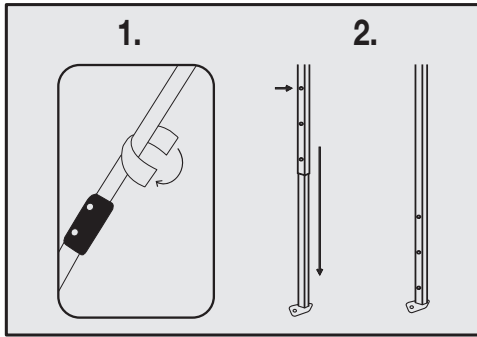


**6)** Extend each inner leg to raise canopy to the desired height by stepping on the lower footpad and allowing the snap button to lock in place.



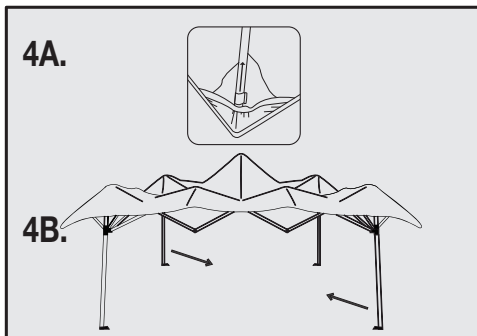
**7)** Your Instant Canopy is now complete!

# Take Down



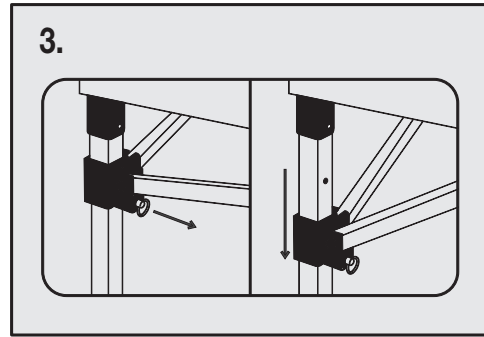
**1)** Detach hook and loop straps from the top.

**2)** Raise a leg off the ground and depress the snap button to disengage the lower leg. Repeat until all four legs have been lowered.

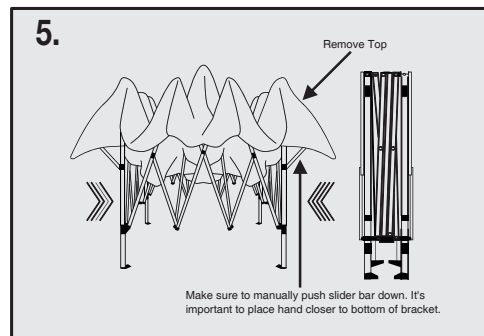


**4A)** Remove elastic loops on the top from each eave extension corner.

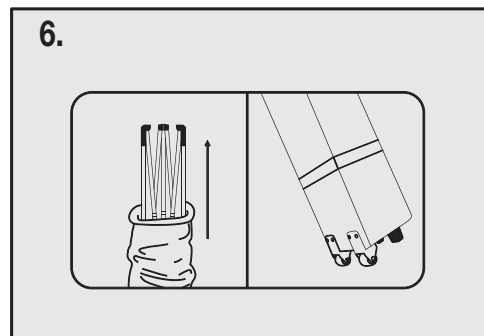
**4B)** Stand opposite a partner and grasp the lower truss bar. Lift the frame off the ground and slowly walk toward partner being careful not to pinch fingers.



**3a)** Pull the pin on the slider at each corner bracket to disengage the frame and allow it to close.



**5)** Remove canopy top and completely close frame. We recommend storing canopies without the canopy top to avoid mildew and pinch tears.



**6)** Store frame and top in roller bag.

# Cleaning and Maintenance

---

Not complying with these warnings will void your Instant Canopy warranty!

- Do not set-up or leave your instant canopy assembled in rain, hail, sleet, snow, drizzle, lightning, strong winds or any harsh weather conditions.
- Do not allow water of any kind to accumulate on the canopy top.
- Use tie-downs, stakes or weight bags to secure your instant canopy in windy conditions. Commercial stake kits and weight bags need to be purchased as accessories separately.
- Always follow directions when setting-up your Instant Canopy. Be aware of hands and fingers when expanding or collapsing frame.
- It is recommended to remove canopy top from frame after take-down. Storing top on frame may result in fabric tears or other damage requiring repair or re-purchase.
- Never clean the canopy top in a washing machine - serious damage will result. If cleaning is required, while set-up on the frame, use a light detergent on a cloth and gently clean top by hand, then rinse off with a garden hose.
- Do not use detergent or hand cleaner if top has custom silk-screened graphics.
- Allow top to dry completely before storing.
- Keep your canopy off of steep slopes and inclines
- Do not use your instant canopy as a permanent shelter. It is designed for temporary use only!
- Never leave your instant canopy unattended.

Questions, problems, missing parts? Before returning to the store  
please contact our Customer Service

**[service@alphamarts.com](mailto:service@alphamarts.com)**

**1-877-606-2818**