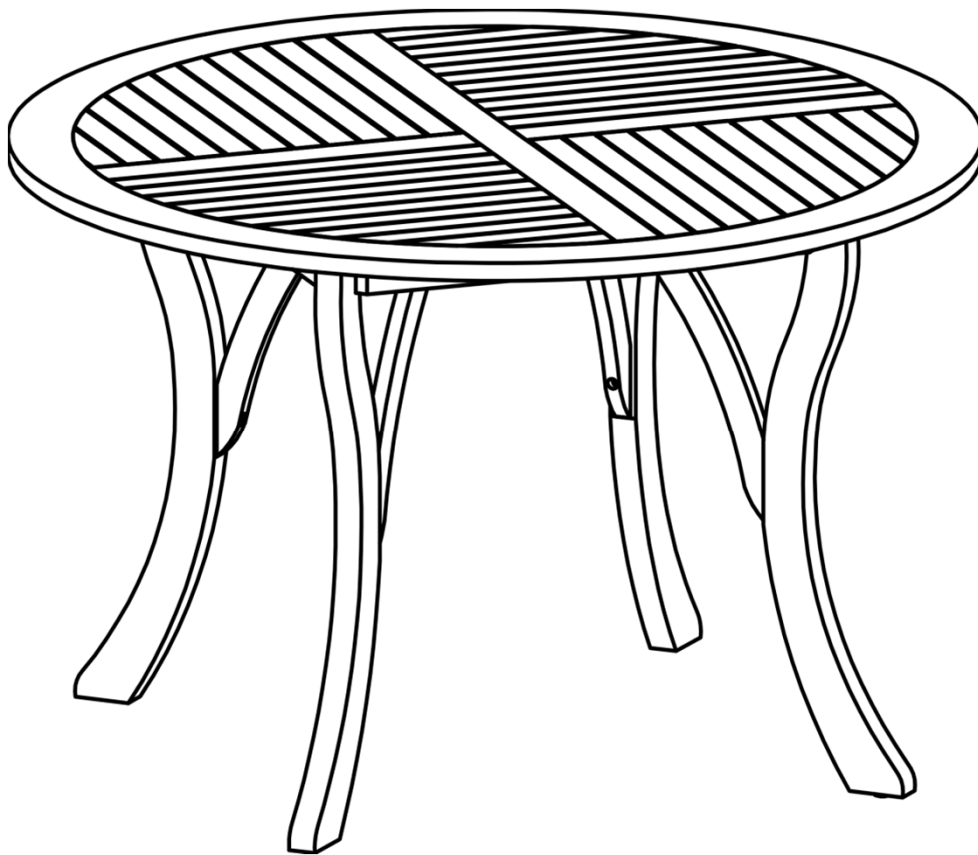


# Assembly Instructions

Caution: You must read this before you proceed

Please look underneath the table top for hardware packs.

## Table

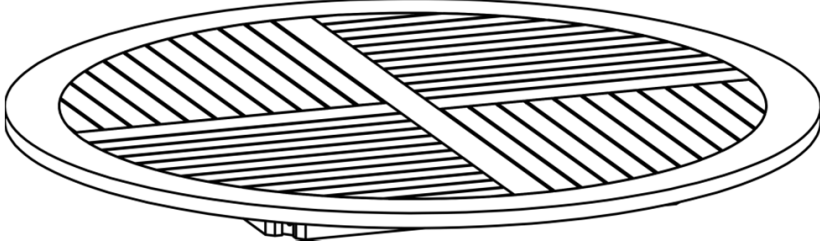




**Caution:** This Table is NOT a TOY

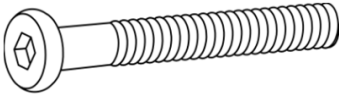
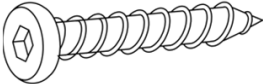


Keep your child/ children at bay during the assembly process.

Whenever moving/lifting the Table and to prevent damage to the Table, two adults are needed to execute these actions.

## Parts List

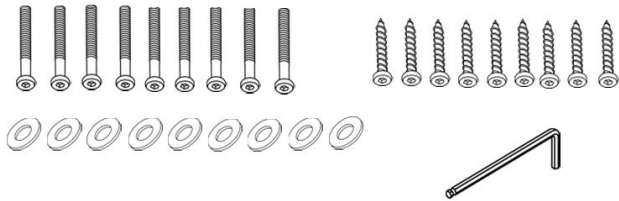
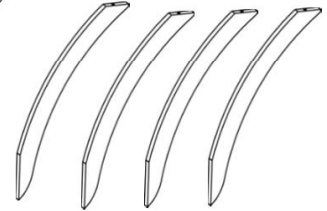
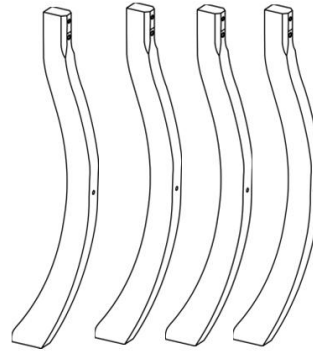
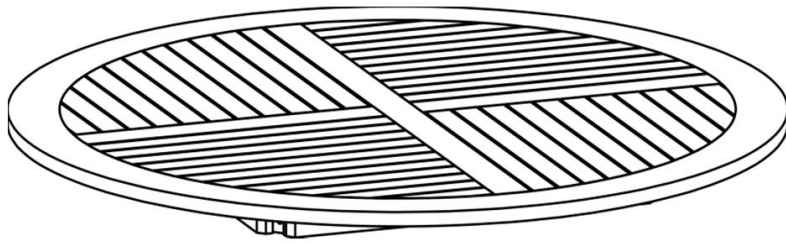
Label	Picture	Description	QTY
A		Table Top	1
B		Leg	4
C		Leg Support	4

## Hardware

Label	Picture	Description	QTY
①		Bolt (M6x50mm)	9
②		Screw (M6x35mm)	9
③		Washer	9
④		Allen Key	1

# Assembly Preparation

Before Beginning Assembly:



- Read instructions, cover to cover-



- Have 2 adults on hand for assembly-



- Do not assemble on flooring or carpet-



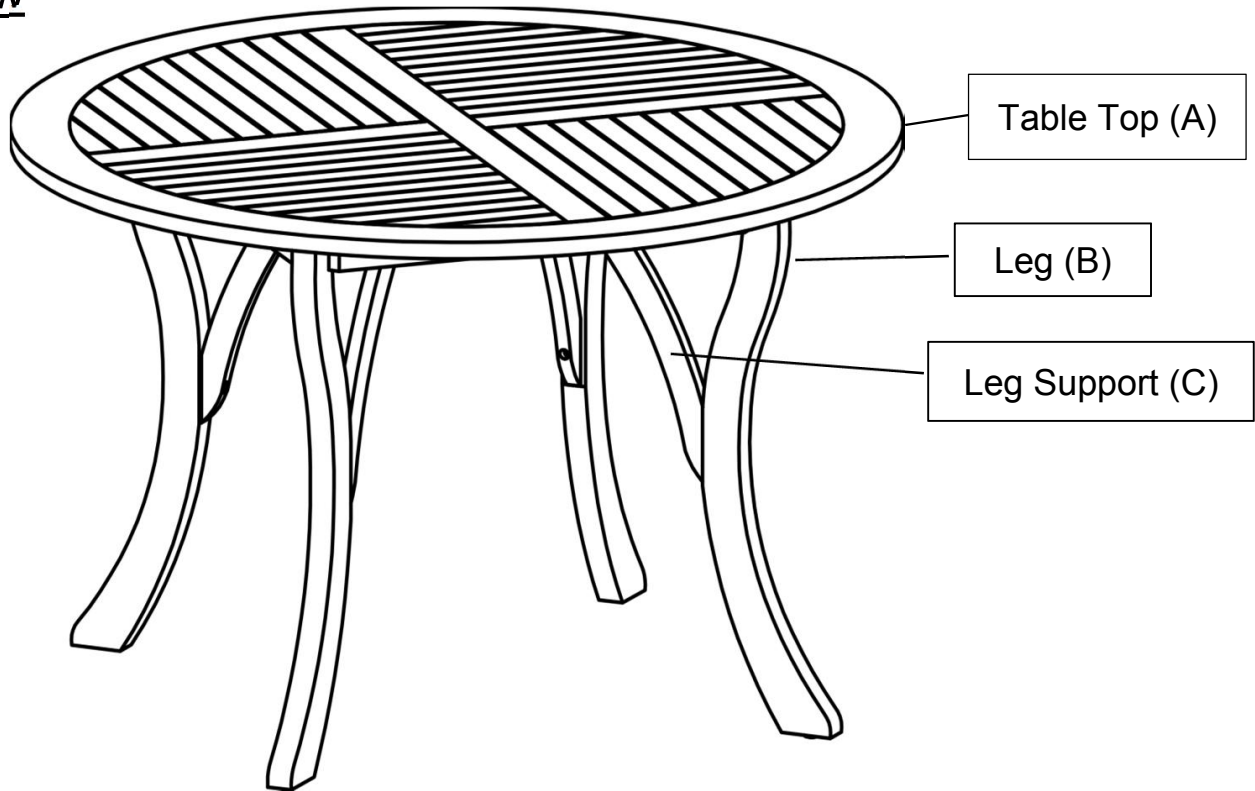
- Assemble on a clean non-marring surface (packing foam)-



- Save all packaging until finished-

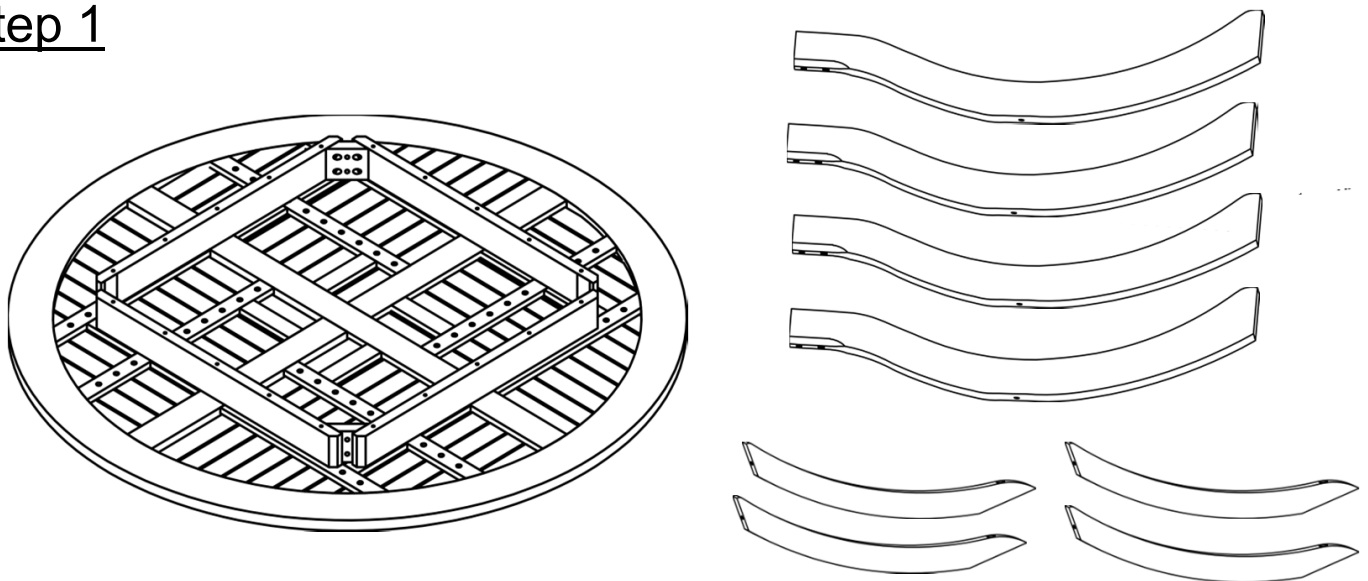
# Assembly Steps

## Overview



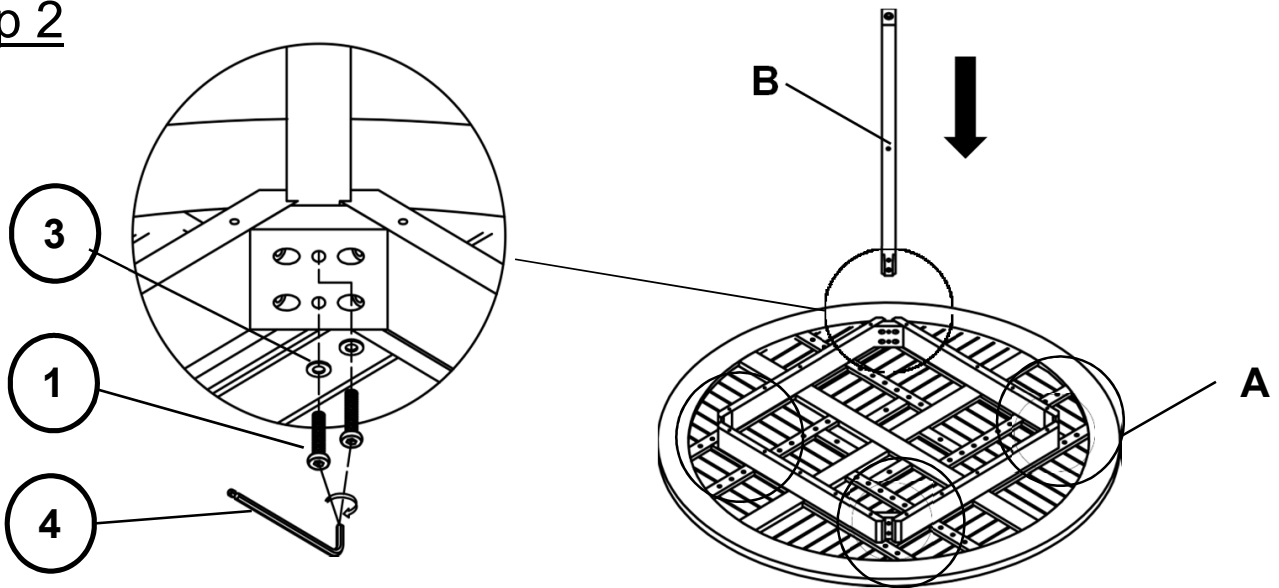
This Table has multiple parts and may require up to 30 minutes to assemble. To give you an overview of the Table parts, the above picture is to help you put the various parts into perspective. Please read through the instructions below to familiarise yourself with the parts and steps before assembly.

## Step 1



Unpack and place all parts on a clean, non-marring surface.

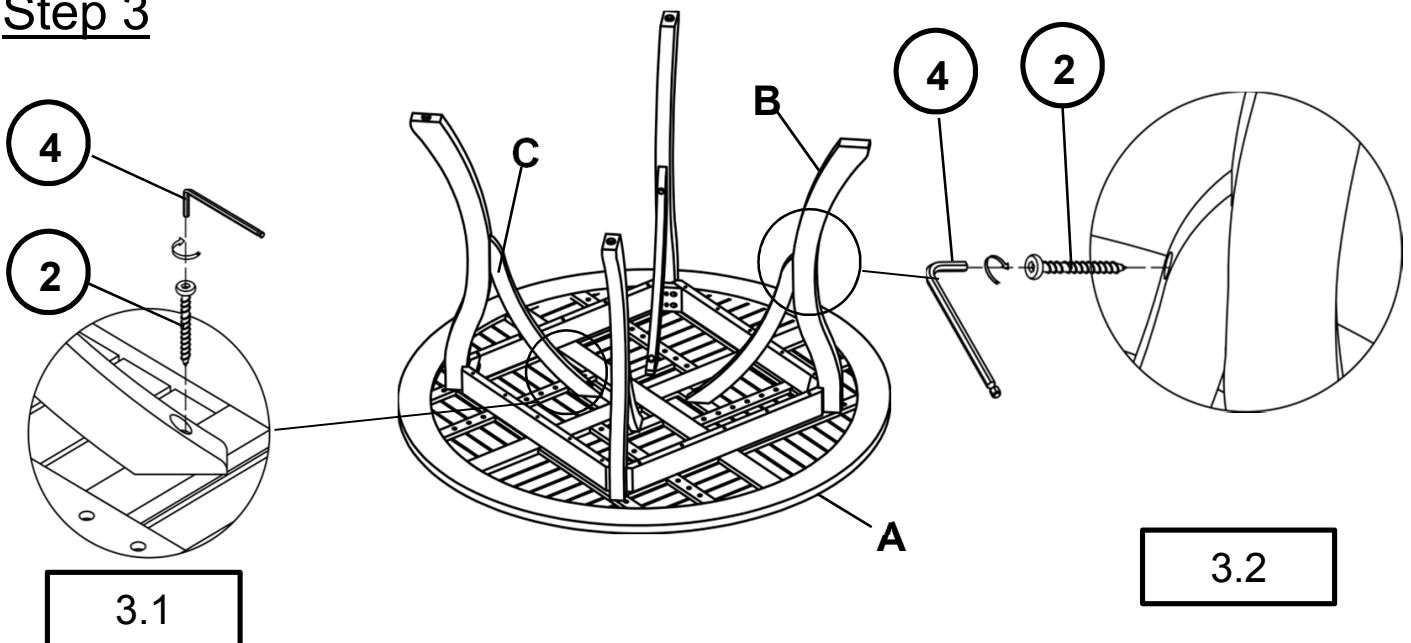
## Step 2



Attach Leg(B) to the Table Top(A) using Bolts(①), and Washers(③) with Allen Key(④).  
**Do not fully tighten the Bolts.**

Repeat the same process with the remaining three Legs(B).

## Step 3



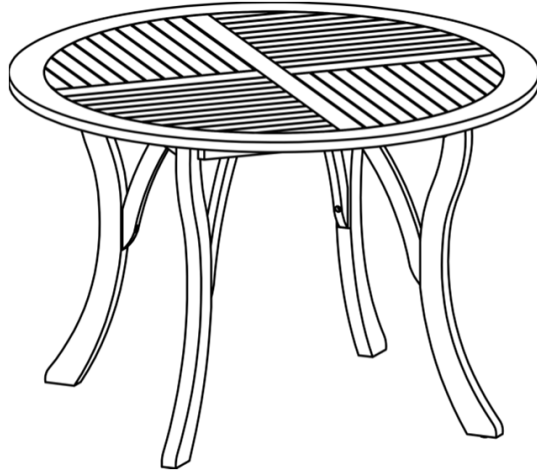
Place Leg Supports(C) between Table Top(A) and Leg(B), as shown above.

**3.1) Attach Leg Supports(C) to Table Top(A) using Screws(②) with Allen Key(④).**

**3.2) Attach Leg Supports(C) to Legs(B) using Screws(②) with Allen Key(④).**

**Do not fully tighten Screws.**

## Step 4



Stand the Table up, with assistance from your adult partner.  
Exert pressure floorwards, onto the Table with both your hands.  
This pressure will help the Legs and Table Top reach full alignment status.  
Check for wobbles on a LEVEL surface.  
If no wobbles are found proceed to tighten the Bolts and Screws in a sequential manner, until evenly secured.

**When tightening the Bolts and Screws tighten sequentially.**

**Do not tighten any Bolt or Screw fully and then move on towards the next one.**

**If there are still wobbles, loosen the Bolts and Screws and execute the same above process.**

**If the Table is not Stable it could lead to damage to the product.**



















## Step 5



Your Table is ready for use.

**This Table can only be used on a flat, level surface.**











## Care & Maintenance

-   ● Do not put hot items directly on furniture surface
  -   ● Do not clean furniture with harsh cleansers or polish.
  -   ● To obtain the longest lifespan of your outdoor products, minimizing exposure to direct sunlight is recommended.
  -   ● Children should not climb or jump on the furniture.
  -   ● Do not write on furniture without a padded barrier to protect the surface.
  -   ● To obtain the longest lifespan of your outdoor products, avoid extended and lengthy exposure to rain, snow, and direct sunshine. Whenever possible cover the product and /or place under patio or awnings.
  -   ● Not for commercial use. For residential use only .
  -   ● Stains may be removed with mild soap solution and damp cloth.
- 
-   ● Dust and pick-up spills using a clean, non-colored, lint-free cloth .

# Assembly Instructions

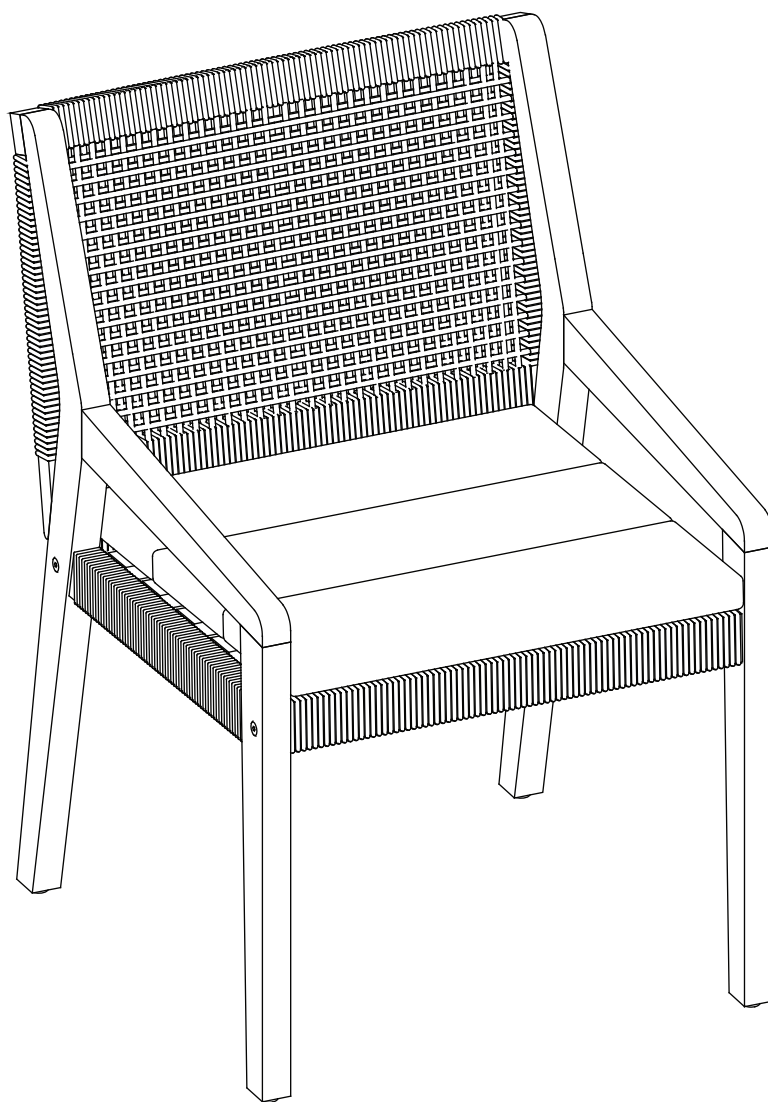
**CAUTION: You must read these Assembly Instructions before you proceed.**

## Care & Maintenance

- ⊘  ● Not for commercial use. For residential use only.
- ⊘  ● Do not put hot items directly on furniture surface.
- ⊘  ● Do not clean furniture with harsh cleansers or polish.
- ✓  ● To obtain the longest lifespan of your outdoor products, minimizing exposure to direct sunlight is recommended.
- ⊘  ● Children should not climb or jump on the furniture.
- ⊘  ● Do not write on furniture without a padded barrier to protect the surface.
- ✓  ● To obtain the longest lifespan of your outdoor products, avoid extended and lengthy exposure to rain, snow, and direct sunshine. Whenever possible cover the product and /or place under patio or awnings.
- ⊘  ● Stains may be removed with mild soap solution and damp cloth.
- ✓  ● Keep away from sources of ignition.
- ✓  ● Dust and pick-up spills using a clean, non-colored, lint-free cloth.

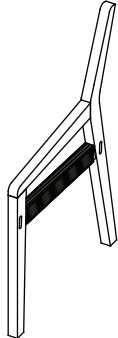
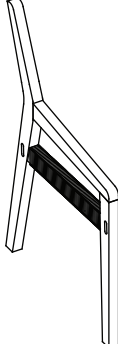
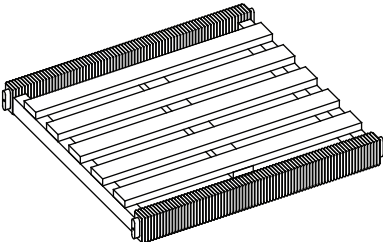
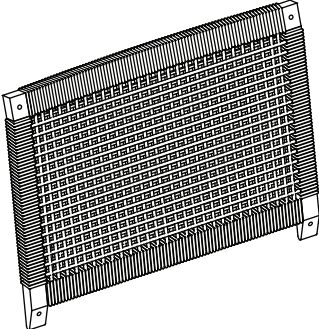
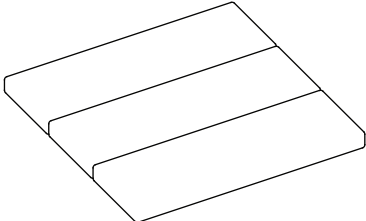
# Dining Chair

Please look under the Chair for hardware pack.



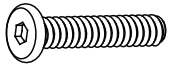



**CAUTION** : This Chair is NOT a TOY. Keep your child / children at bay in the process of assembly.  
For turning / flipping the Chair and to prevent damage to the Chair, 02 persons may be needed to execute this action.

# Parts List

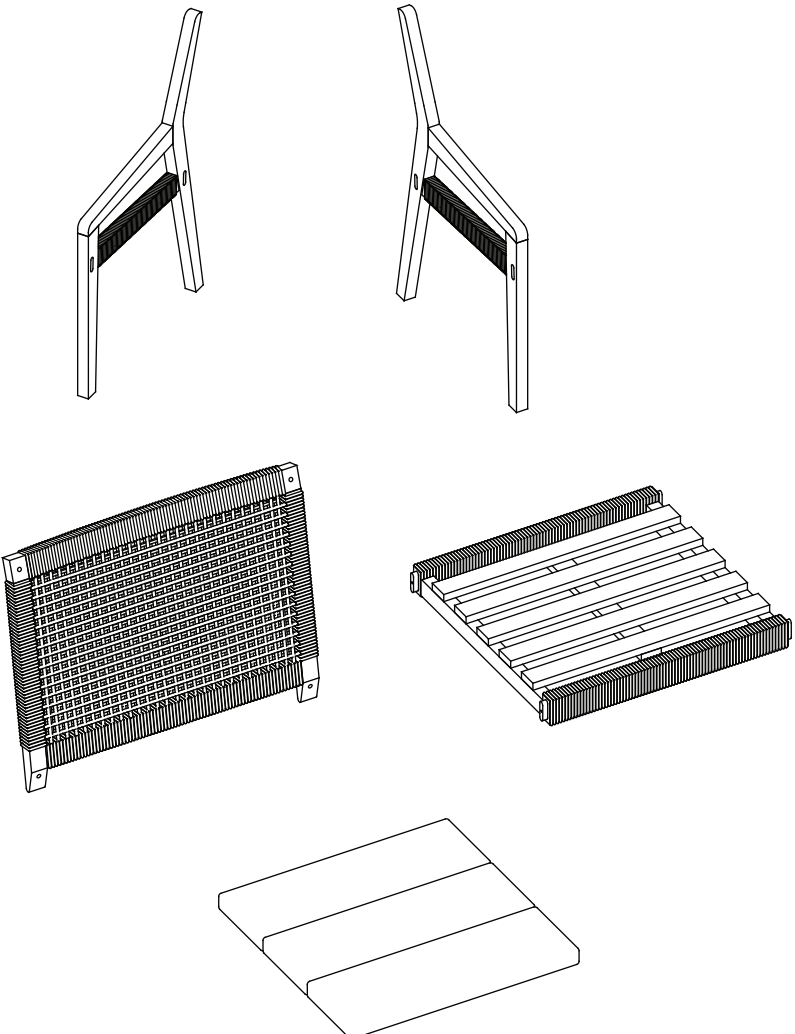
Label	Picture	Description	Qty
A		Left leg	1
B		Right leg	1
C		Seat Panel	1
D		Back Panel	1
E		Seat cushion	1





# Hardware

Label	Picture	Description	Qty
①		Screw (M6x 70mm)	5
②		Screw (M6x45mm)	3
③		Bolt (M6 x 40 mm)	3
④		Allen wrench	2

## Assembly Preparation

### Before Beginning Assembly:



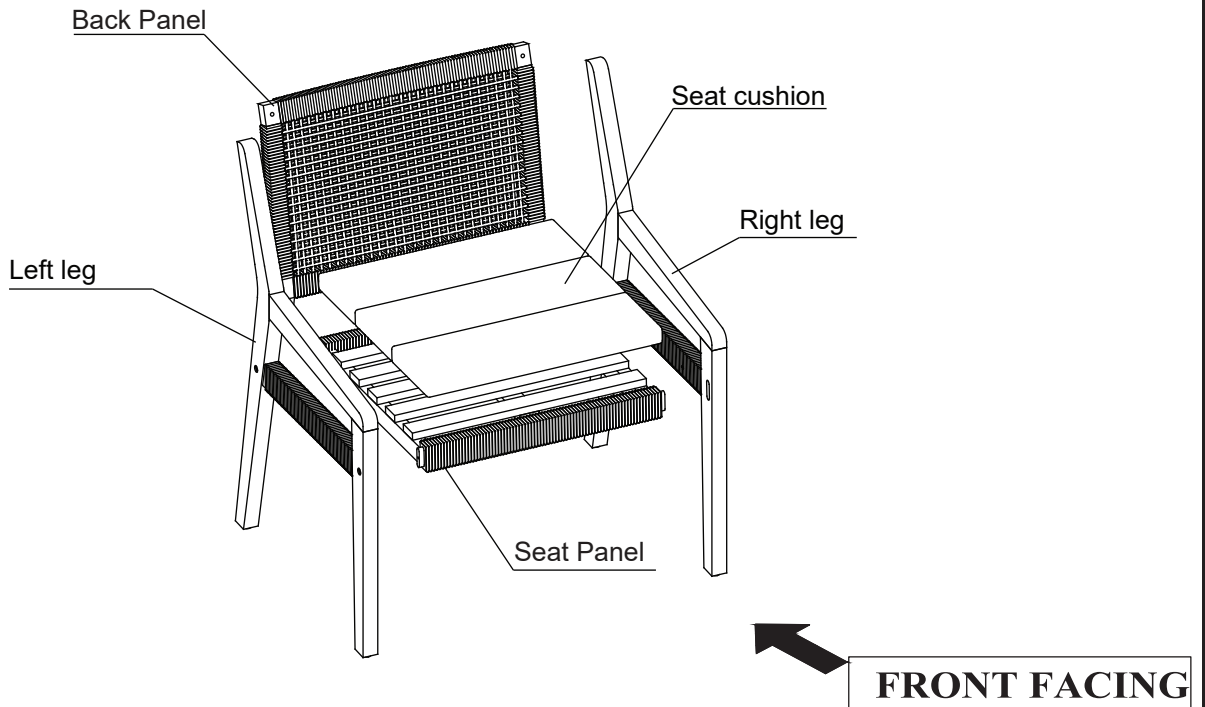
-  x 5
-  x 3
-  x 3
-  x 2



- Read instructions, cover to cover.
- Have 2 adults on hand for assembly.
- Do not assemble on flooring or carpet.
- Assemble on a clean non-marring surface (packing foam).
- Save all packaging until finished.

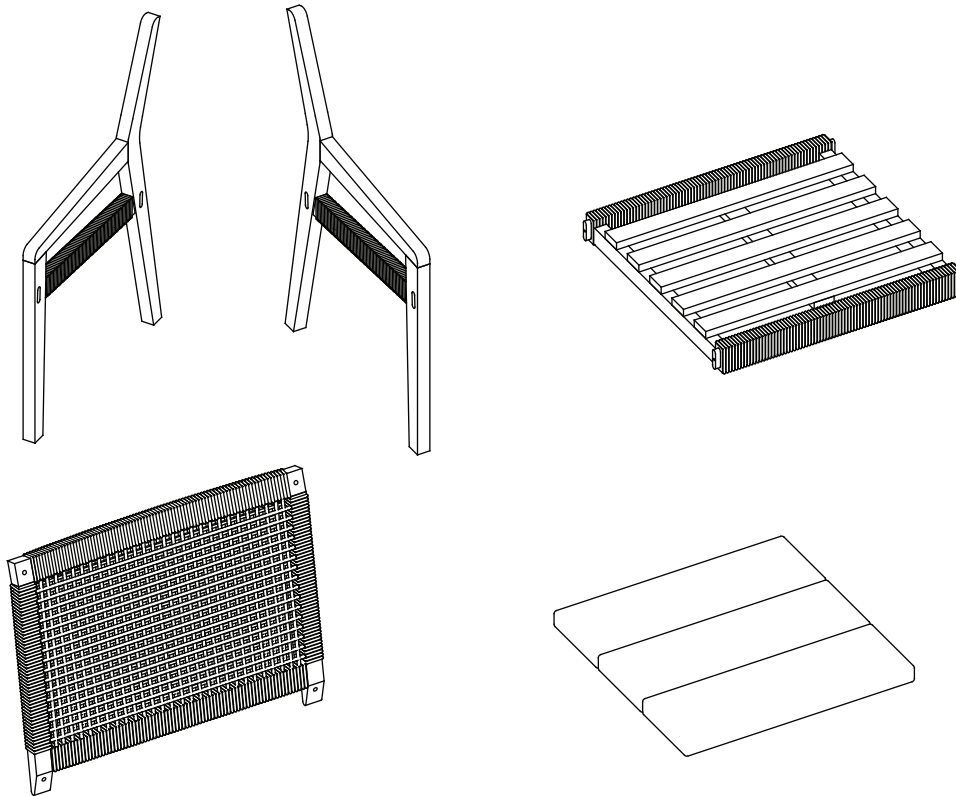
# Assembly Steps

## OVERVIEW



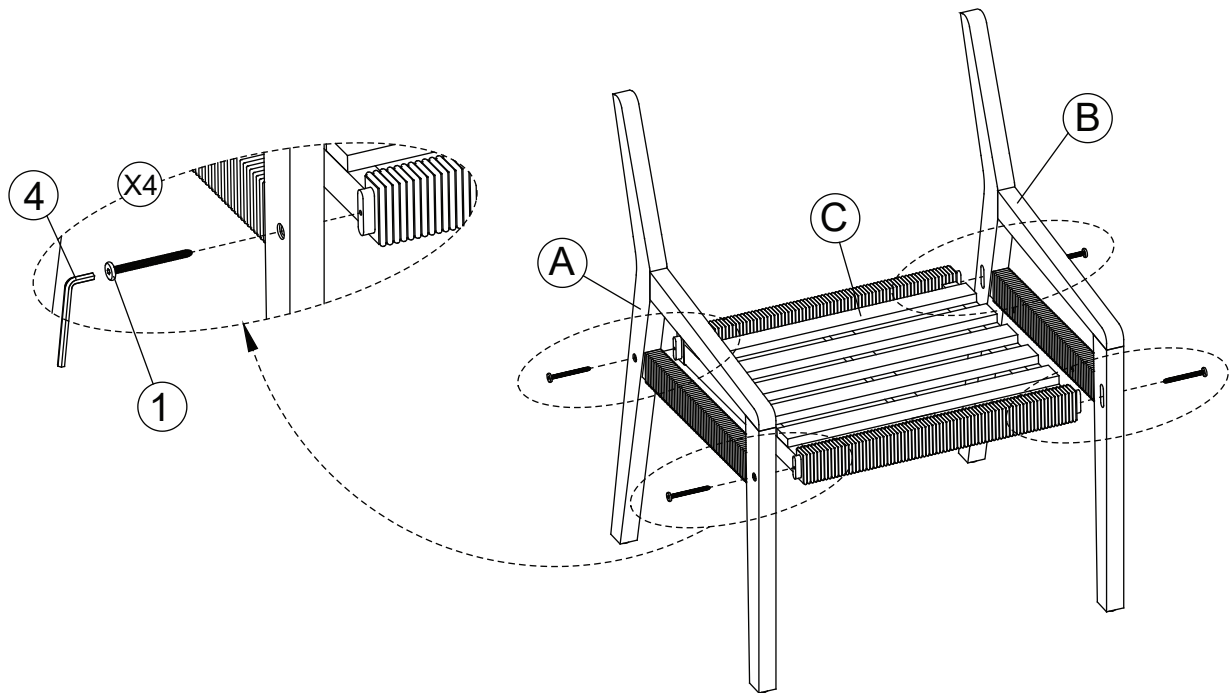
This Chair has multiple parts and may require up to 30 minutes to assemble. To give you an overview of the Chair parts, we've provided the above picture to put the various parts in perspective. Please read through the instructions below to familiarise yourself with the parts and steps before assembly.

## Step 1



Unpack and place all parts on a clean, non-marring surface.

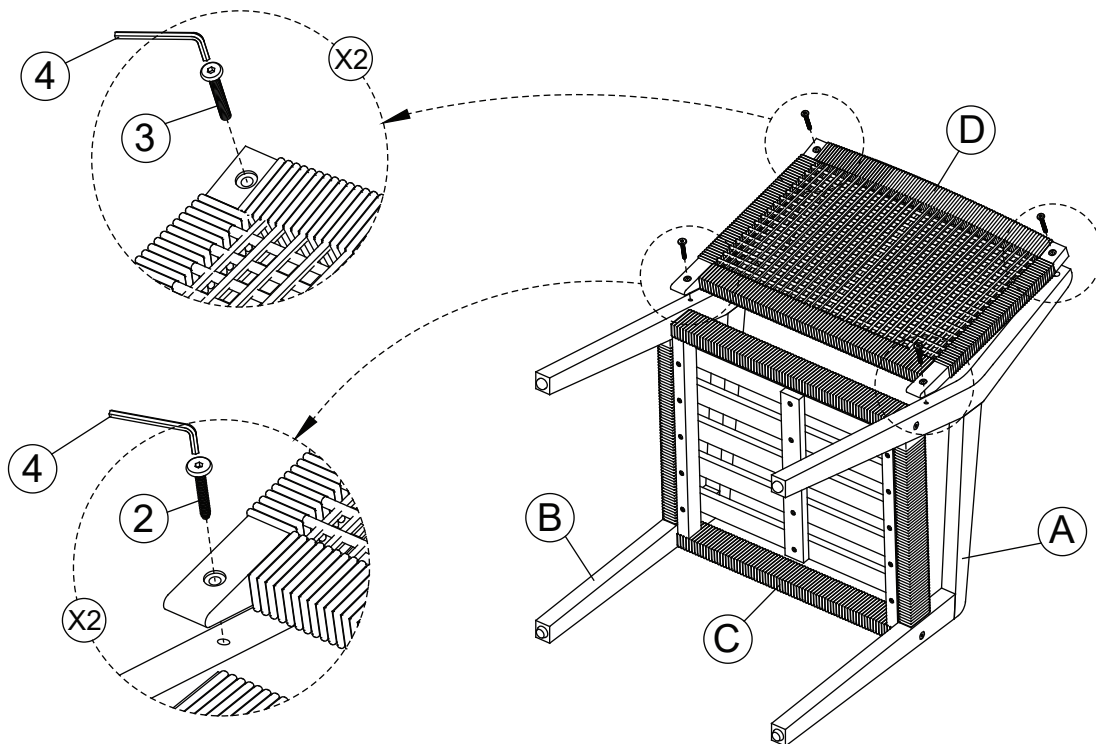
## Step 2



Please carefully place the panels on a clean surface, scratch-free surface, as shown in the above picture.

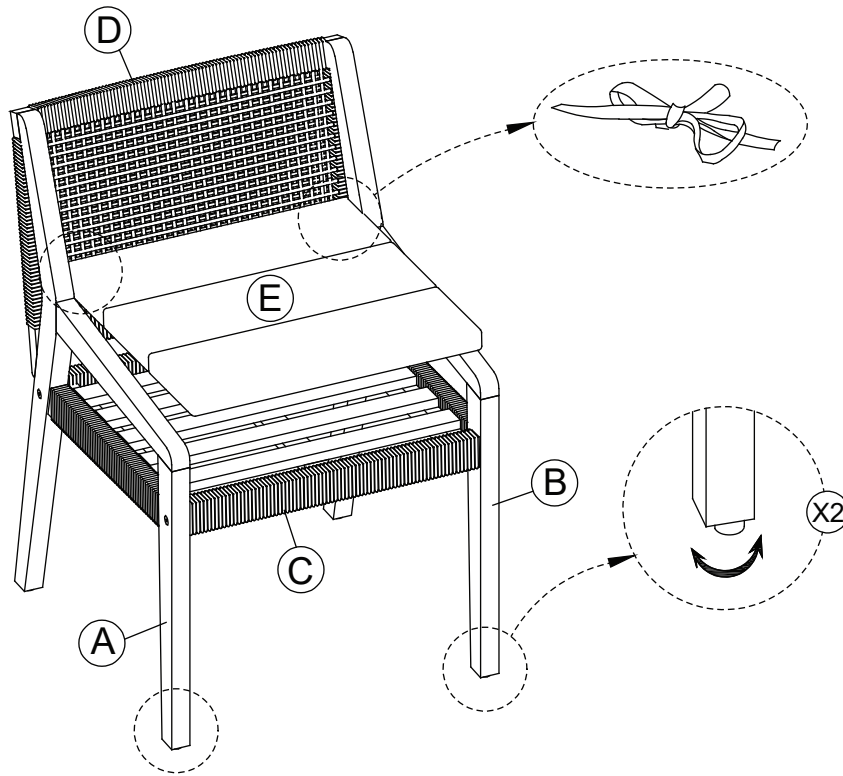
Attach Left legs (A) and Right legs (B) to the Seat Panel (C) by using Screw ① and a Allen wrench ④. **Do not: Fully tighten the Screw.**

## Step 3



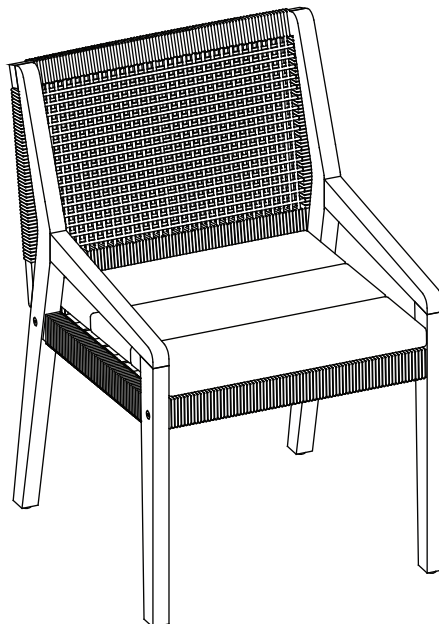
Attach Back Panel (D) into assembled frame from Step ② by using Screw ② and Bolt ③ as shown in the above picture. Gradually tighten all Bolts and Screws until evenly secure.

## **Step 4**



Place the Seat Cushion (E) on the Chair as shown above. Tight Cushion ropes directly to the chair frame. Turn the product upright and adjust the levelers at the bottom of the legs (if needed) to balance the Chair.

## **Step 5**



Your chair is ready to be used. This chair can only be used on a flat, level surface.