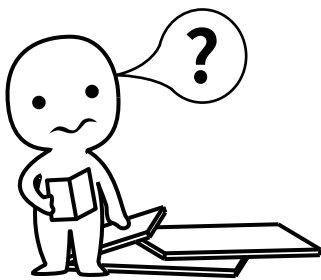


INSTALLATION

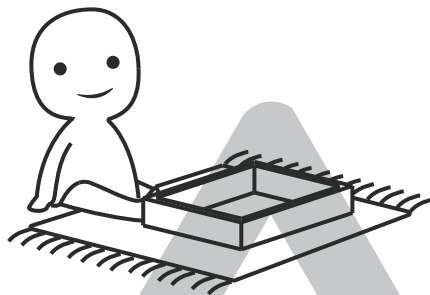
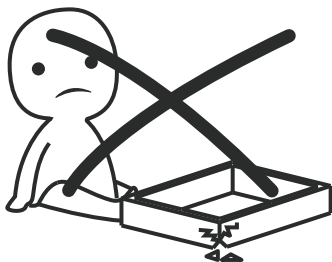
Product Manual

Version: 210207-01-24A-MH



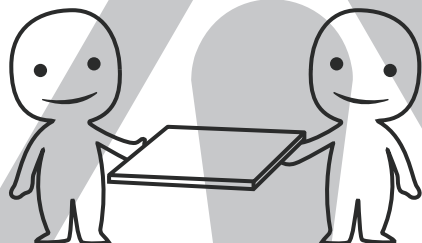
IMPORTANT INFORMATION!

please read the entire manual before starting to assemble and/or using this product. follow the manual thoroughly and keep it for further reference.



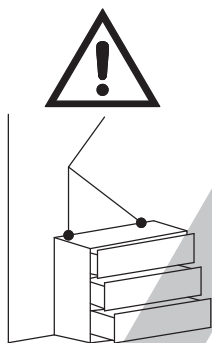
AVOID SCRATCHES!

In order to avoid scratching this furniture should be assembled on a soft layer- could be a rug.



IMPROVE EFFICIENCY !

Try to find a partner to install with you, which can speed up the installation efficiency and shorten the time.



ANTI-TOPPLE WARNING !

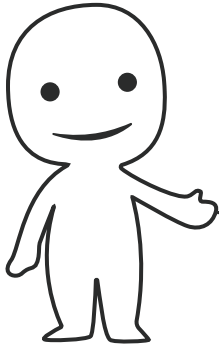
Overturnd furniture can cause serious or fatal crush injuries. To prevent tipping over, be sure to use the wall attachment, if not included with this product. Please purchase the wall attachment that fit your wall. If unsure, seek professional advice. Please read and follow each step of the instructions carefully.

IMPORTANT !

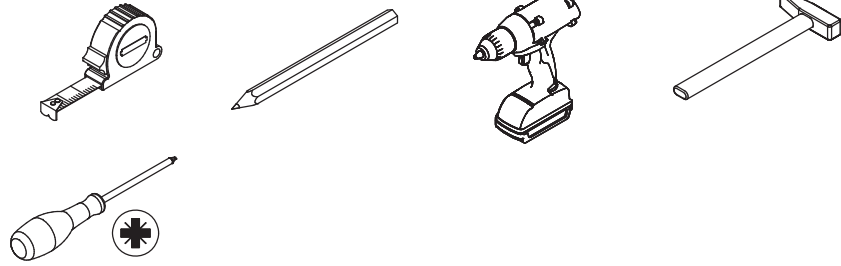
It is important that any product which is assembled using any kind of screw is re-tightened 2 weeks after assembly, and once every 3 months - in order to assure stability through-out the lifespan of the product.

For regular maintenance and cleaning of the product, for the frame, please use a rag dipped in neutral detergent to fully wipe it, and then dry it with a clean rag. For glass materials, wipe with a rag dampened with water glass cleaner, and then dry with a dry rag.

Do not use an electric screwdriver, and do not use too much force when installing, because the board is easy to break.

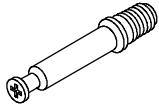


Please prepare the following tools



When installing, please carefully confirm whether each screw corresponds to the manual, accessories with similar shapes can be distinguished by size

A x 24



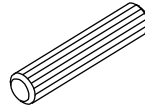
CRA0635A

B x 24



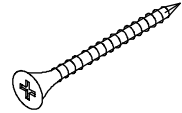
CRB1595A

C x 28



CRF0830A

D x 4



CRD0440A

E x 2



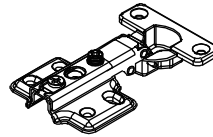
∅29 x 25 mm

F x 2



CRE0420A

G x 4



DGA861A

H x 24



CRD3514A

J x 8



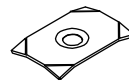
∅4.9 x 16 mm

K x 28



CRE0312A

L x 3



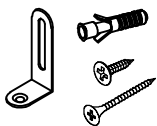
15.5 x 10 x 1.2 mm

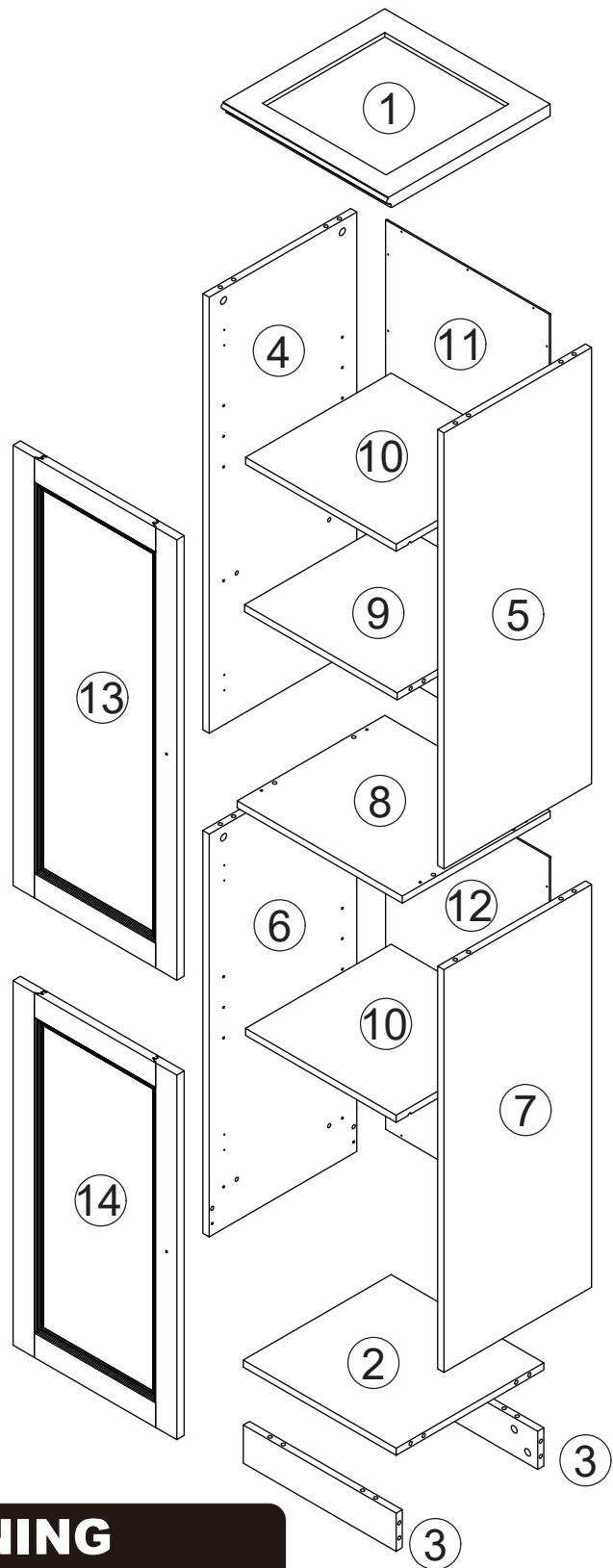
M x 3



CRD0314A

N x 1



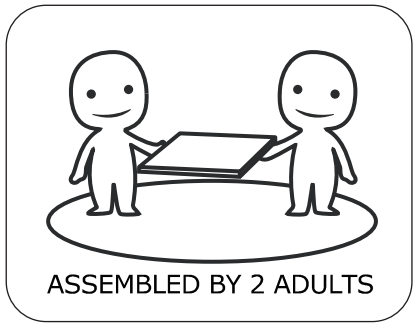


⚠ WARNING

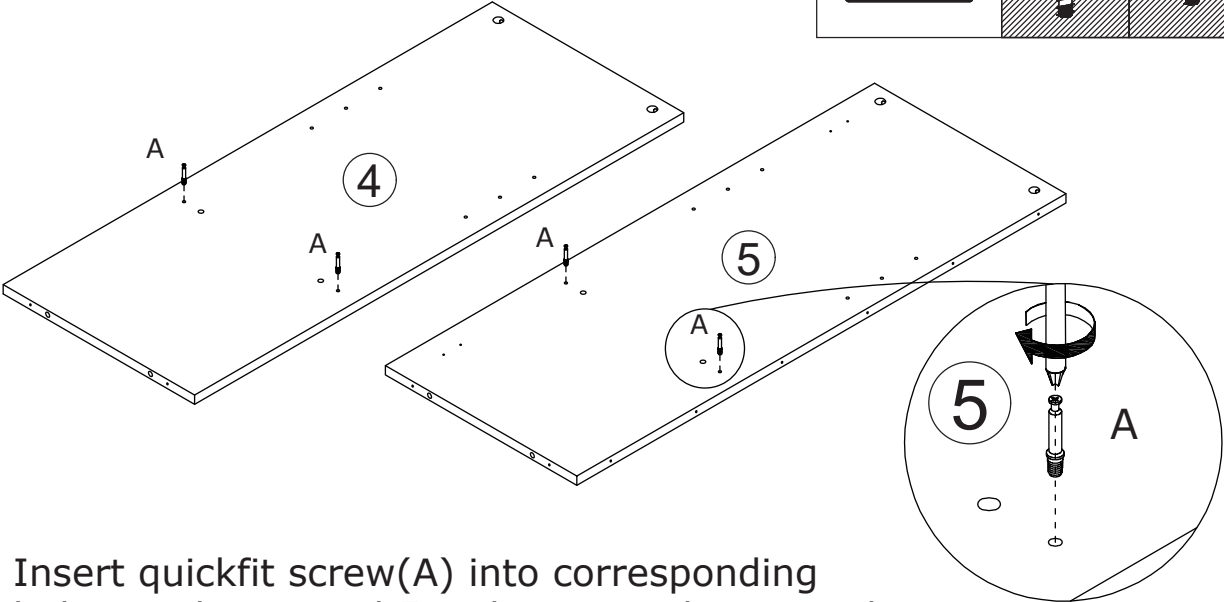
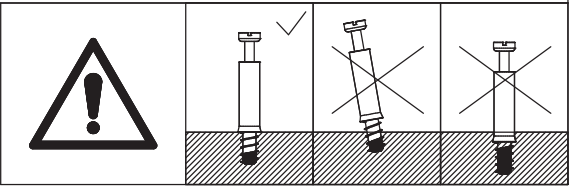
Children have died from furniture tipover. To reduce the risk of furniture tipover:

- ALWAYS install tipover restraint provided.
- NEVER put a TV on this product.
- NEVER allow children to stand, climb or hang on drawers, doors, or shelves.
- NEVER open more than one drawer at a time.
- Place heaviest items in the lowest drawers.

This is a permanent label. Do not remove!

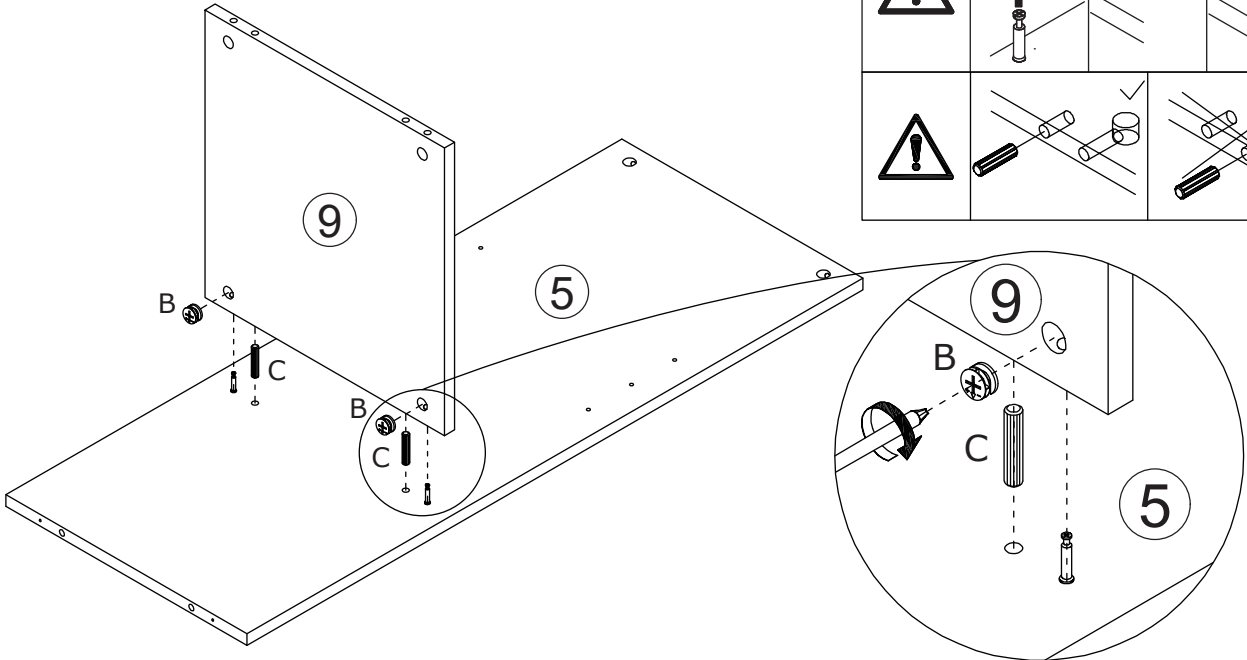
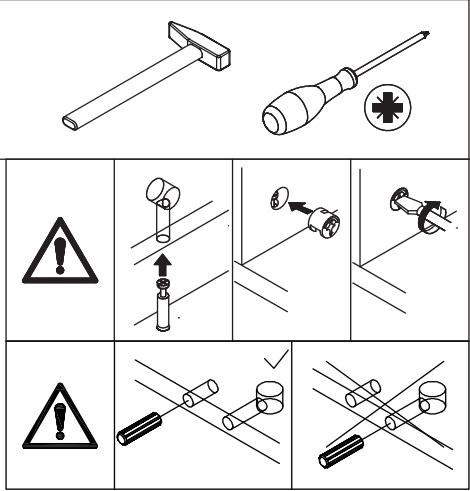


1



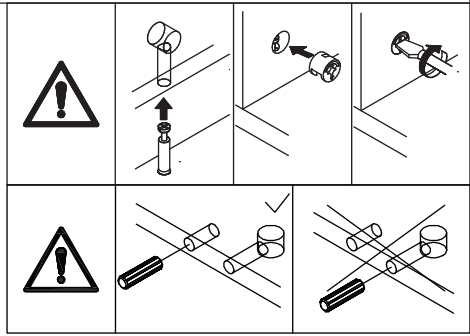
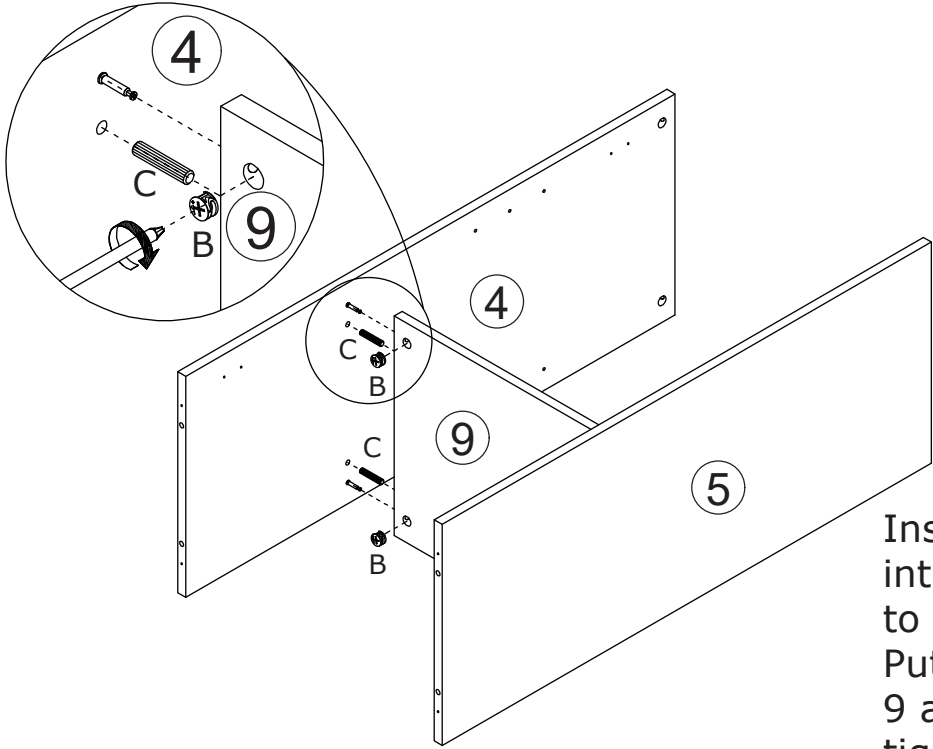
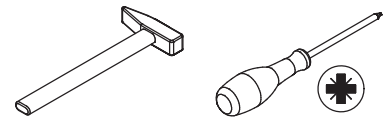
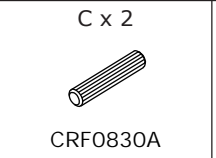
Insert quickfit screw(A) into corresponding holes in plate 4 and 5 with a screwdriver as shown.

2



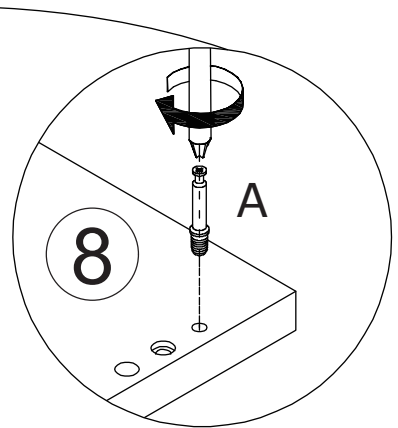
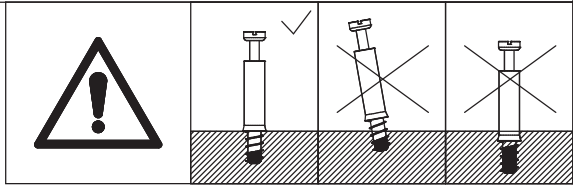
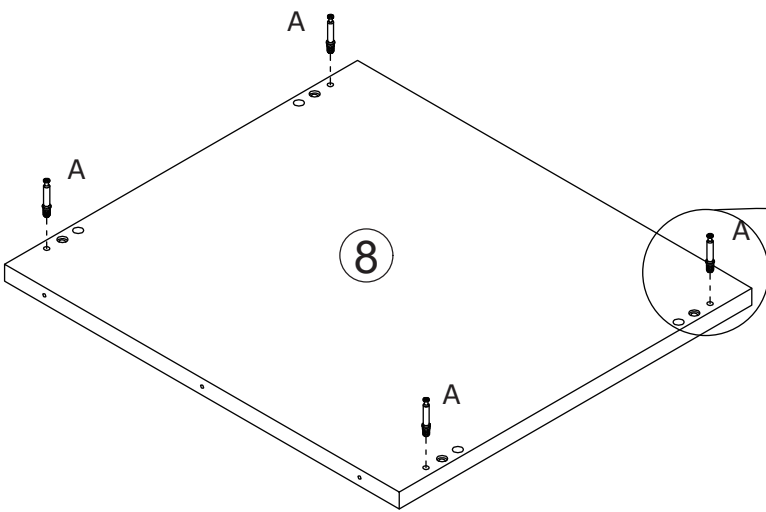
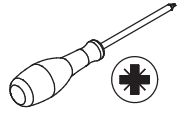
Insert wooden dowel(C) into plate 9, then attach to plate 5. Put cam lock(B) into plate 9 and turn clockwise to tighten as shown.

3



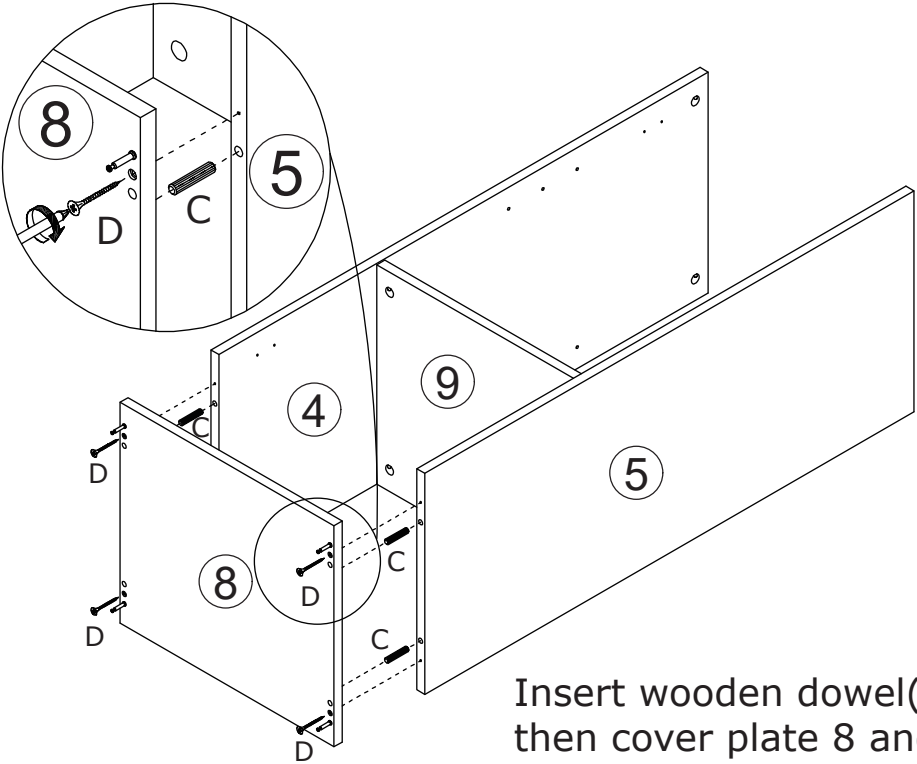
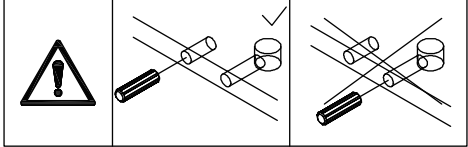
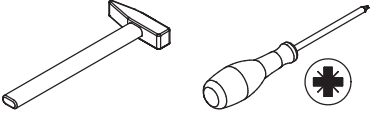
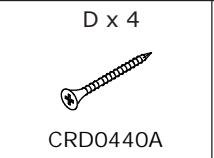
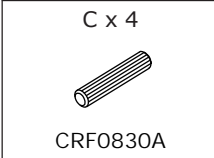
Insert wooden dowel(C) into plate 9, then attach to plate 4.
 Put cam lock(B) into plate 9 and turn clockwise to tighten as shown.

4



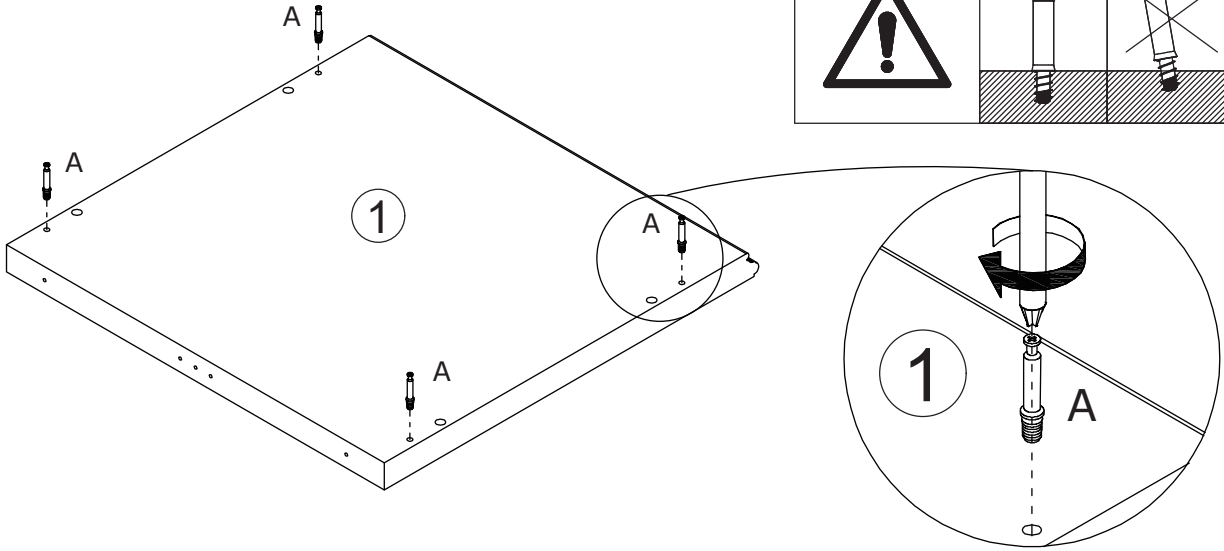
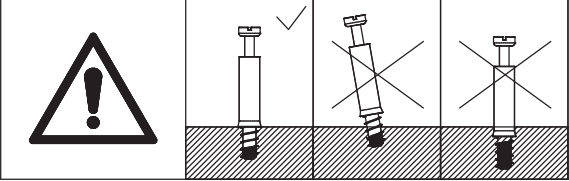
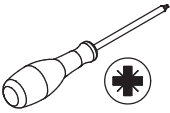
Insert quickfit screw(A) into corresponding holes in plate 8 with a screwdriver as shown.

5



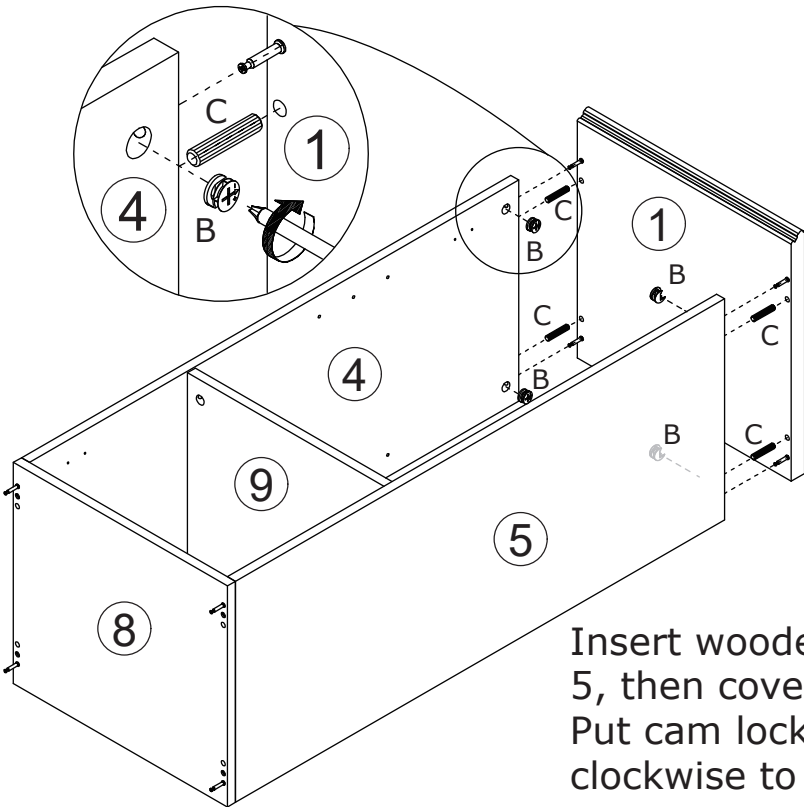
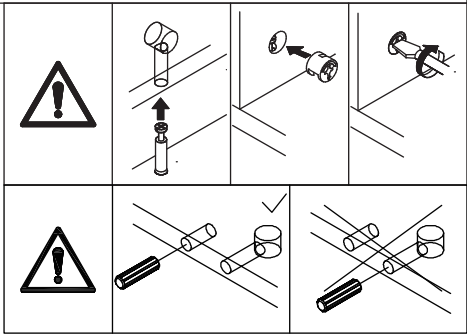
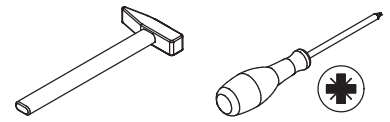
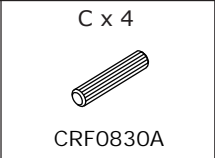
Insert wooden dowel(C) into plate 4 and 5, then cover plate 8 and fix with screw(D) as shown.

6



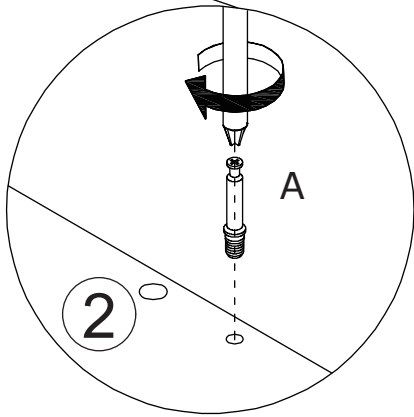
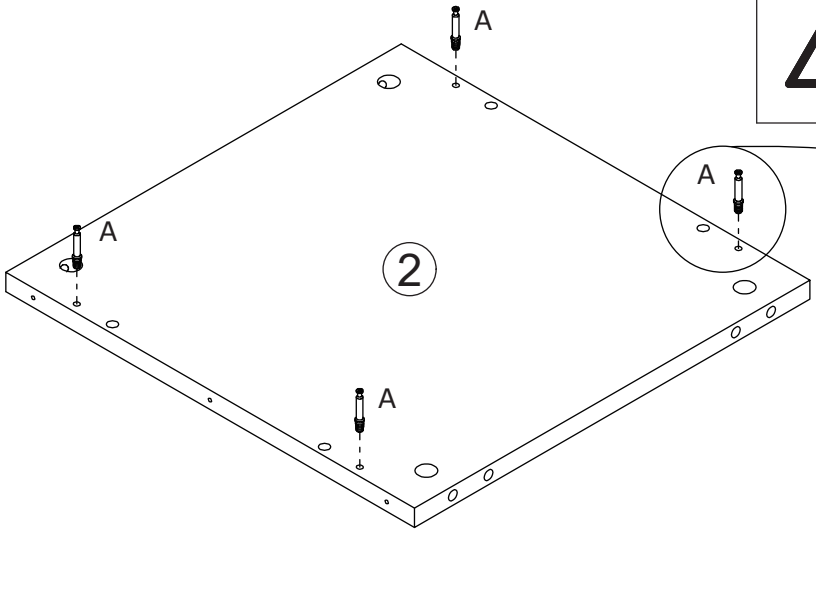
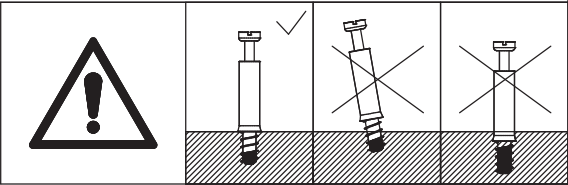
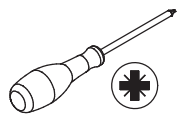
Insert quickfit screw(A) into corresponding holes in plate 1 with a screwdriver as shown.

7



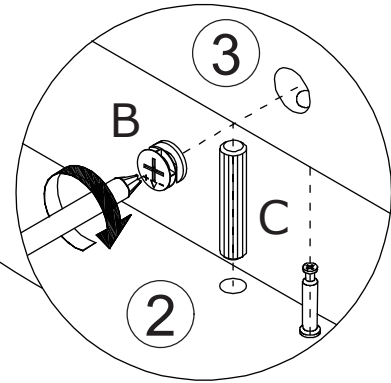
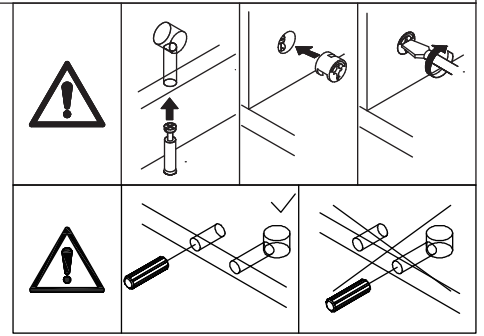
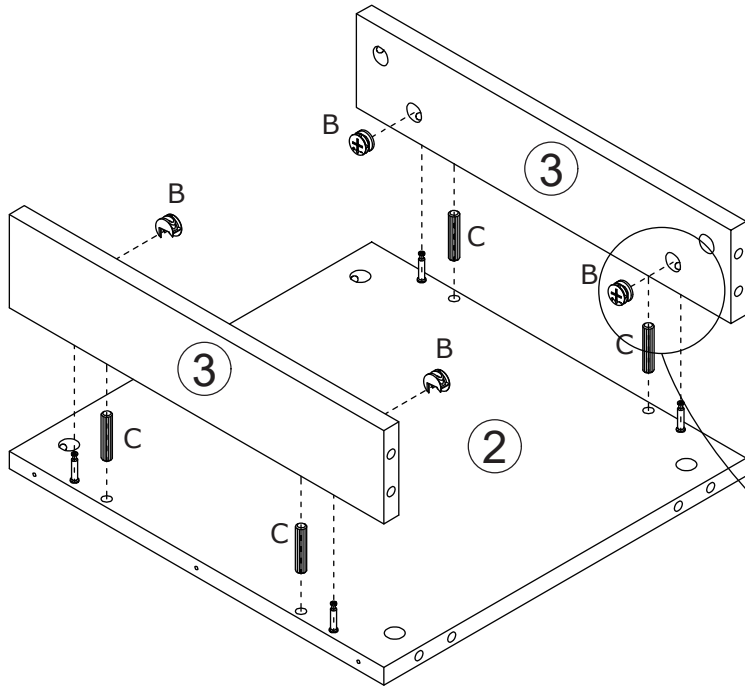
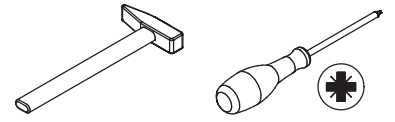
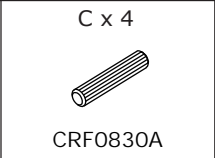
Insert wooden dowel(C) into plate 4 and 5, then cover plate 1.
Put cam lock(B) into plate 4,5 and turn clockwise to tighten as shown.

8



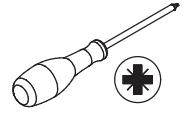
Insert quickfit screw(A) into corresponding holes in plate 2 with a screwdriver as shown.

9

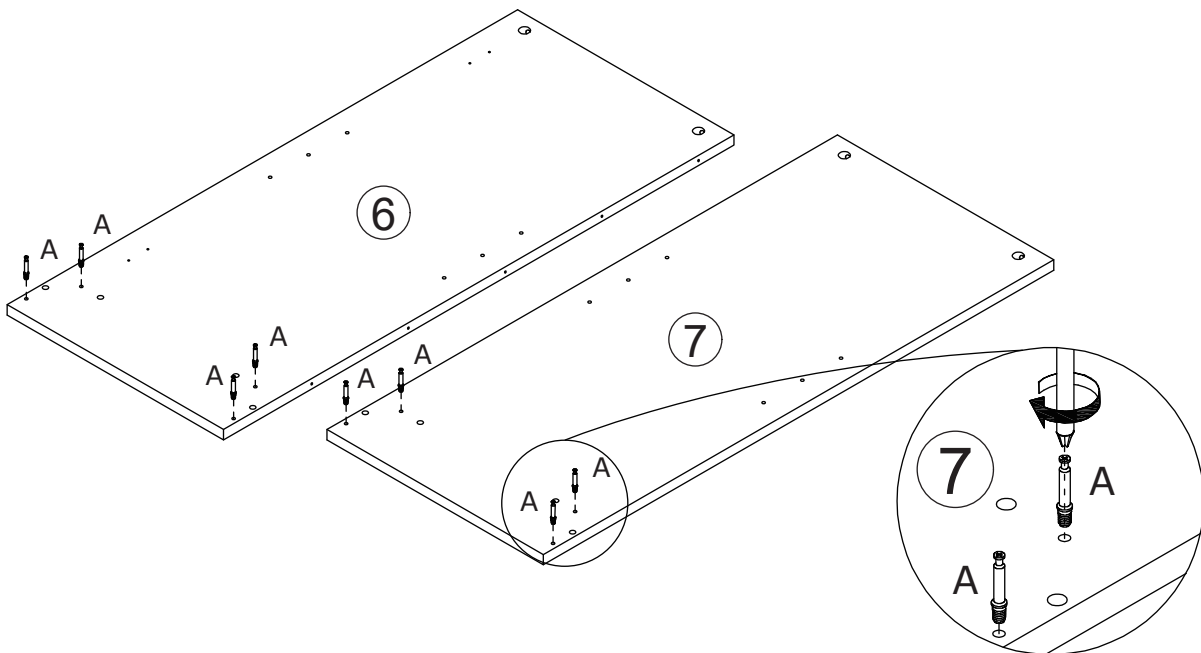
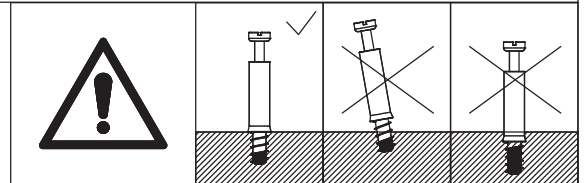


Insert wooden dowel(C) into plate 3, then attach to plate 2.
Put cam lock(B) into plate 3 and turn clockwise to tighten as shown.

10



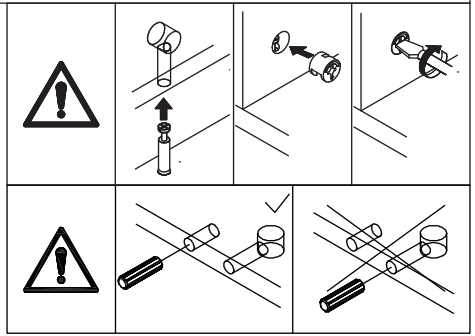
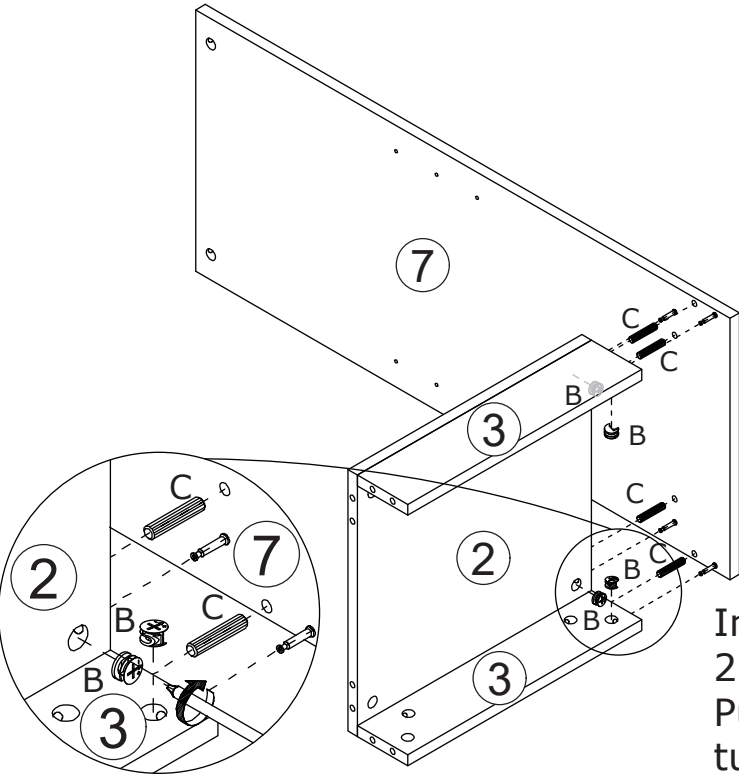
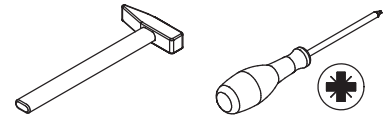
Insert quickfit screw(A) into corresponding holes in plate 6 and 7 with a screwdriver as shown.



11

B x 4
CRB1595A

C x 4
CRF0830A

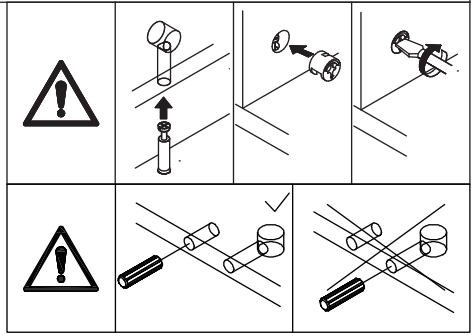
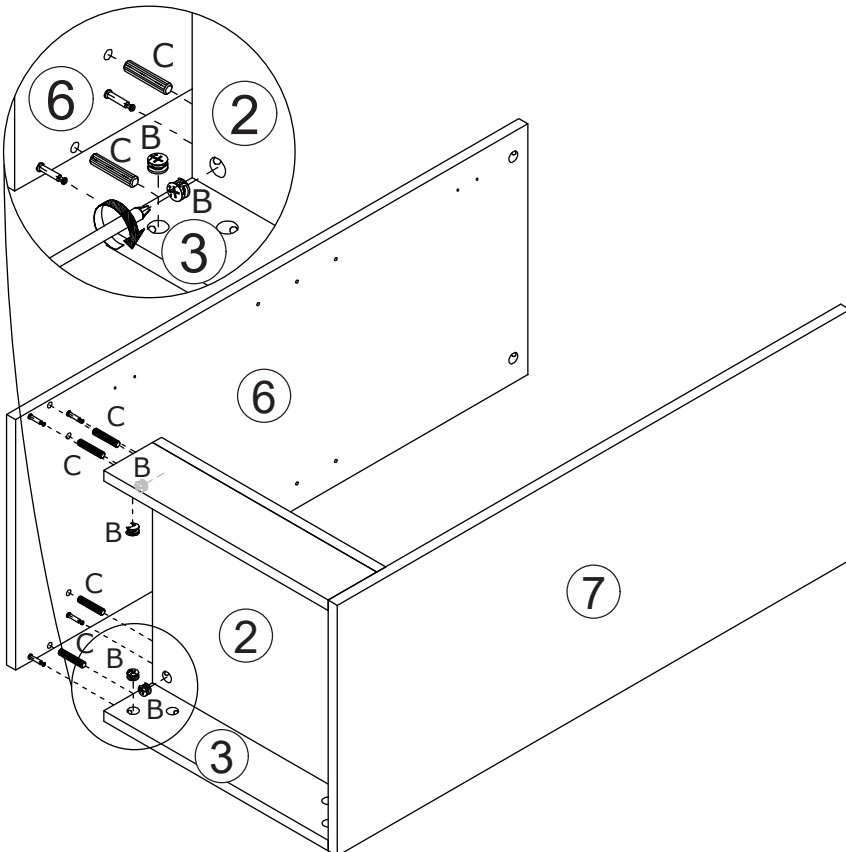
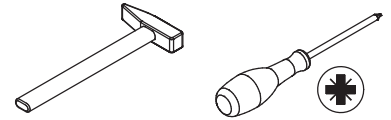


Insert wooden dowel(C) into plate 2 and 3, then attach to plate 7.
Put cam lock(B) into plate 2,3 and turn clockwise to tighten as shown.

12


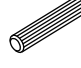
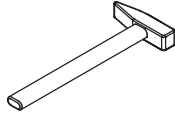
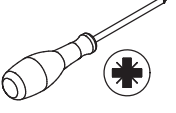
B x 4
CRB1595A

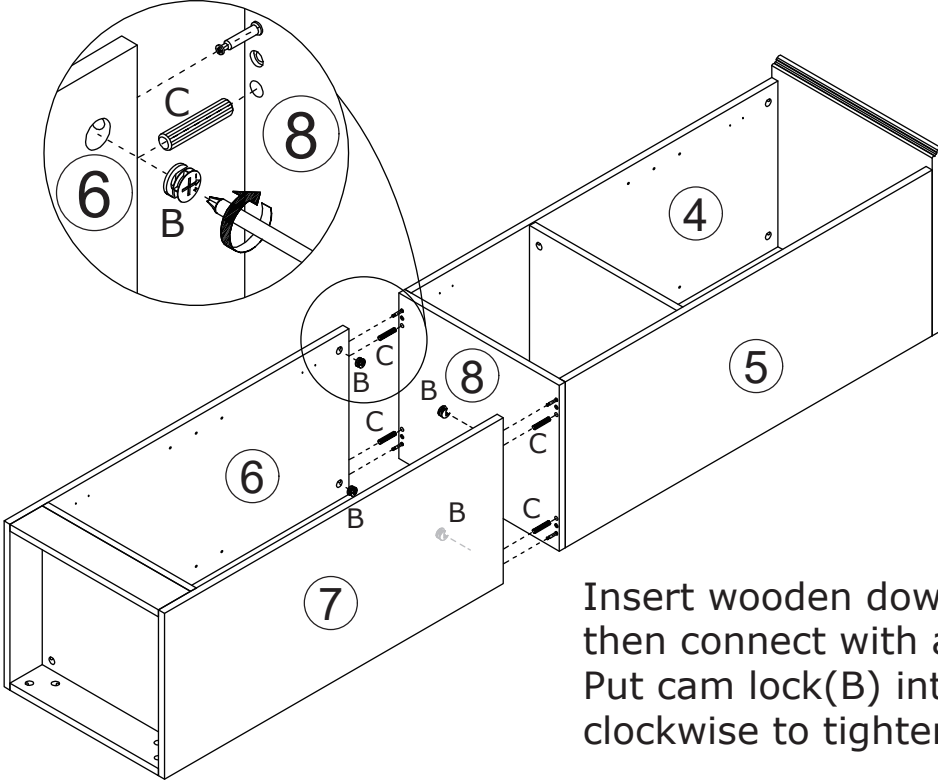

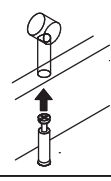
C x 4
CRF0830A




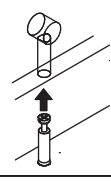

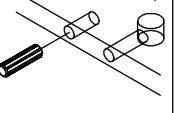

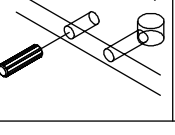
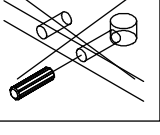
Insert wooden dowel(C) into plate 2 and 3, then attach to plate 6.
Put cam lock(B) into plate 2,3 and turn clockwise to tighten as shown.

13




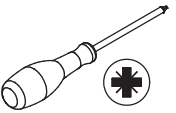
| | | |
|--|--|--|
| B x 4  CRB1595A | C x 4  CRF0830A |   |
|--|--|--|

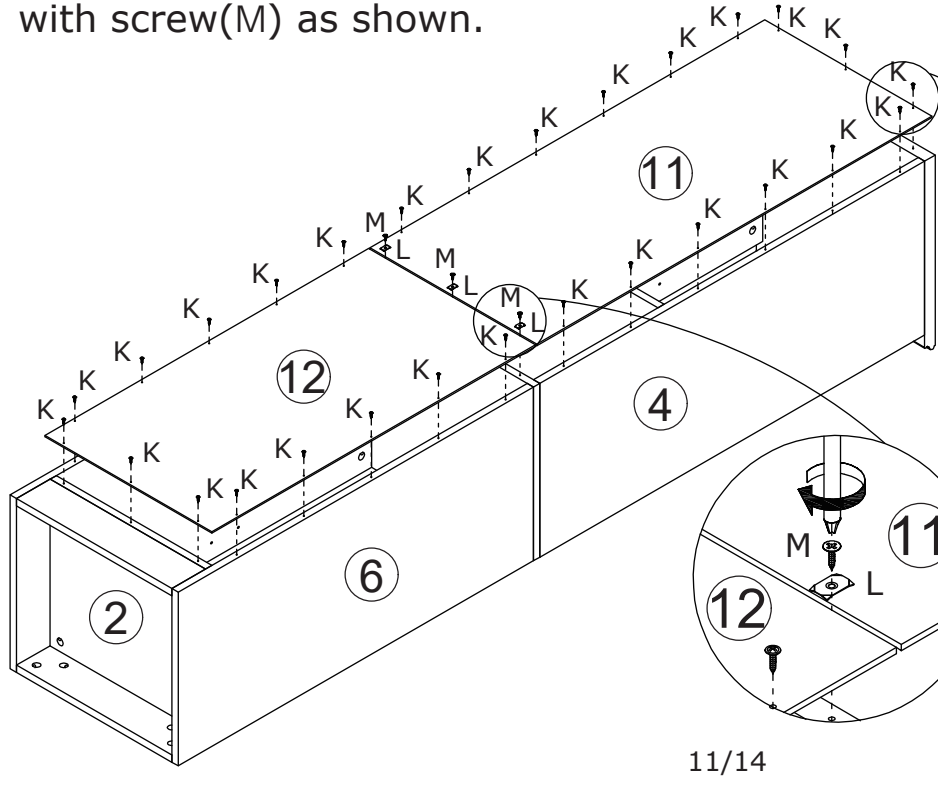
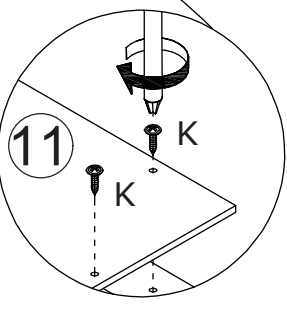
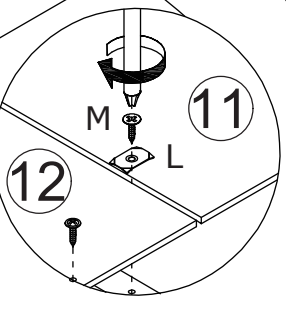
Insert wooden dowel(C) into plate 6 and 7, then connect with another component. Put cam lock(B) into plate 6,7 and turn clockwise to tighten as shown.




| | | | |
|---|---|---|---|
|  |  |  |  |
|  |  |  | |

14

| | | | |
|---|--|--|---|
| K x 28  CRE0312A | L x 3  15.5 x 10 x 1.2 mm | M x 3  CRD0314A |  |
|---|--|--|---|

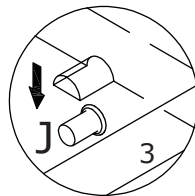
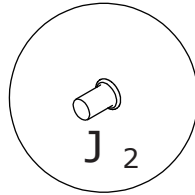
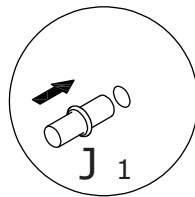
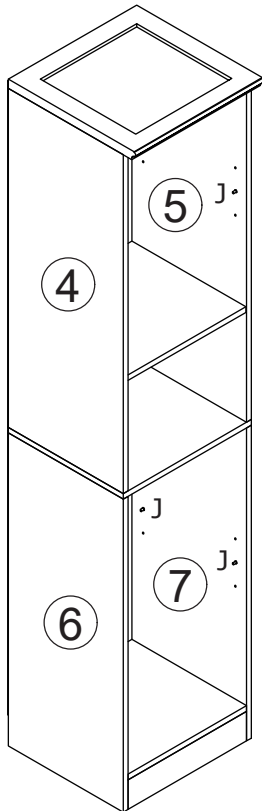
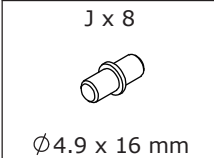
Flip the cabinet to the back. Fix back plate 11 and 12 with screw(K) at first. Use iron sheet(L) to fix plate 11 and 12 together with screw(M) as shown.

| | | |
|---|---|---|
|  |  CRD3514A |  CRD0314A |
|---|---|---|

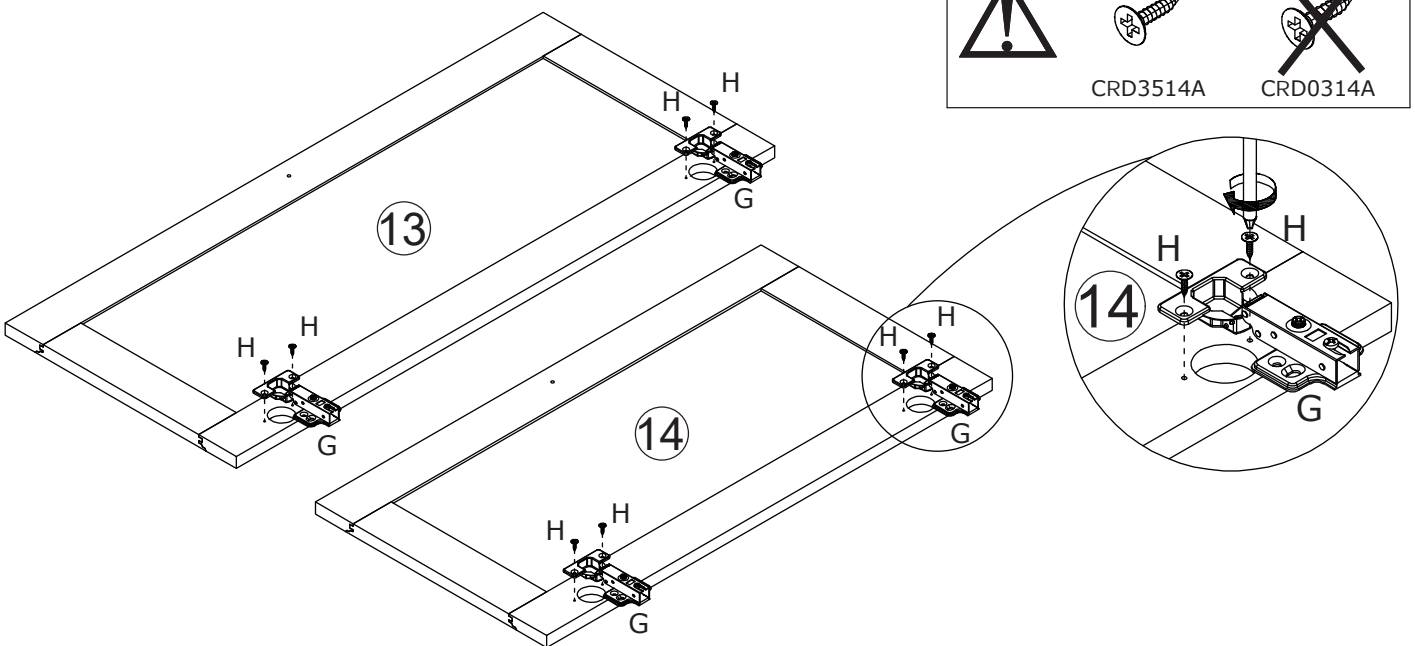
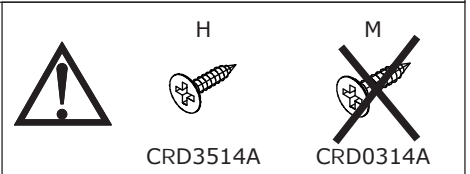
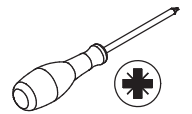
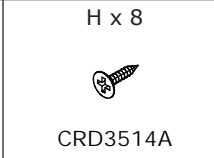
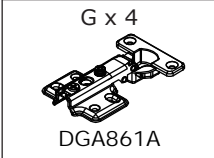
11/14

15



Insert part(J) into plate 4, 5, 6 and 7, then place shelf 10 in.




16

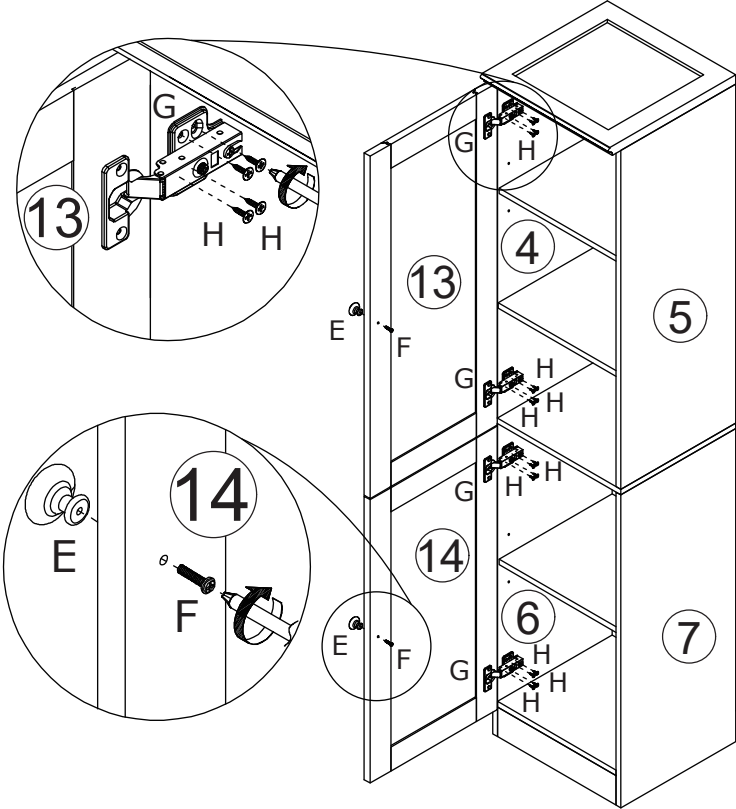


Fix hinge(G) to plate 13 and 14 with screw(H) as shown.

17


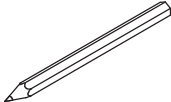
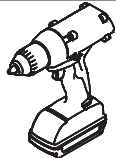
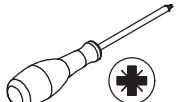
| | | | |
|---|--|---|---|
| E x 2  Ø29 x 25 mm | F x 2  CRE0420A | H x 16  CRD3514A |  |
|---|--|---|---|

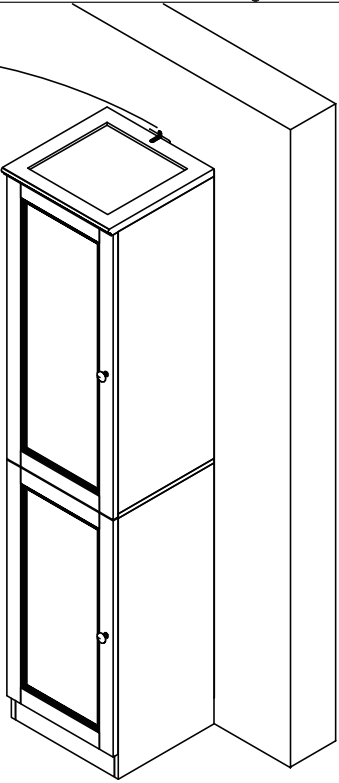
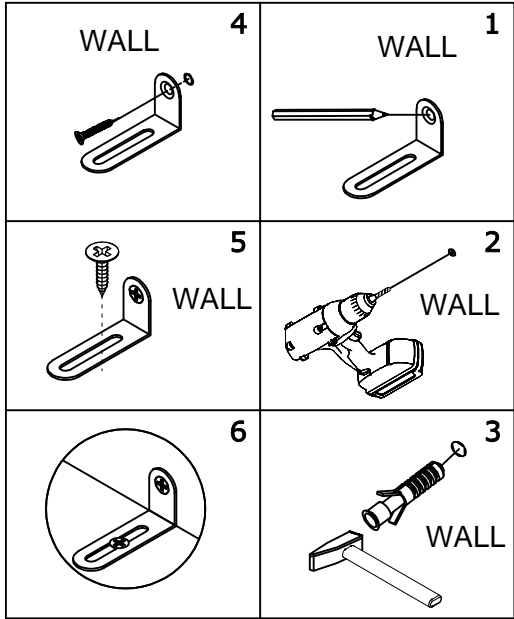
| | | |
|---|--|--|
|  | H  CRD3514A | M  CRD0314A |
|---|--|--|



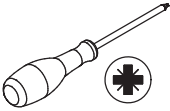
Attach door plate 13 to plate 4; door plate 14 to plate 6 by fixing hinge with screw(H) as shown. Fix knob(E) to door plate with screw(F) as shown.

18

| | | | |
|--|--|---|---|
| N x 1  |  |  |  |
|--|--|---|---|

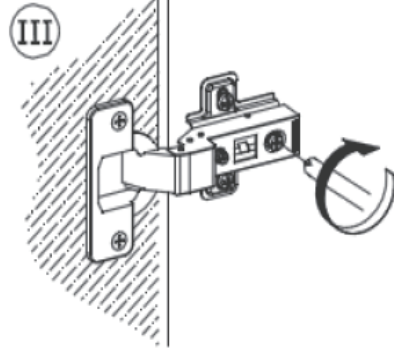
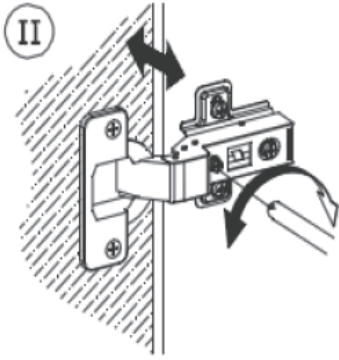
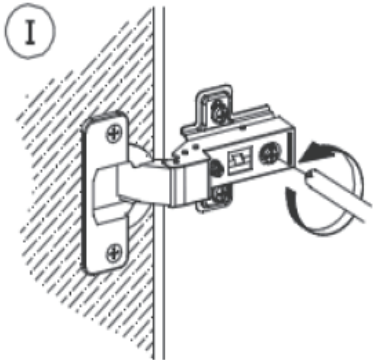
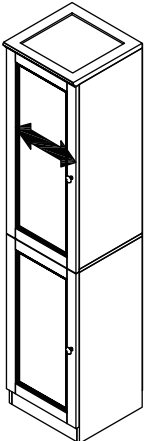
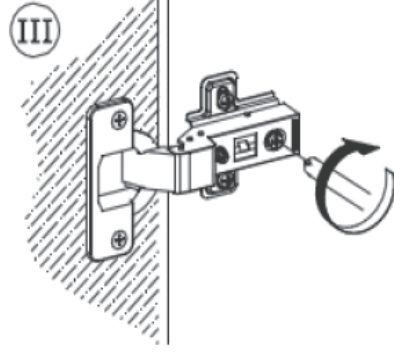
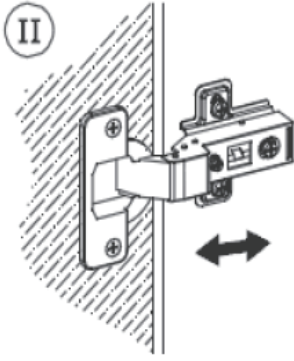
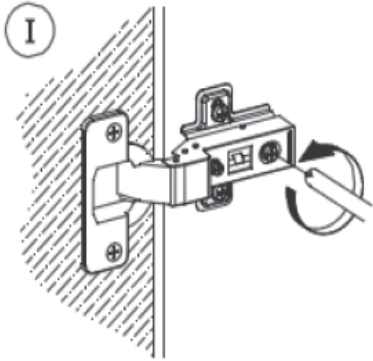
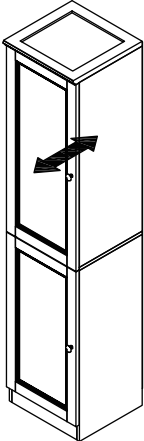
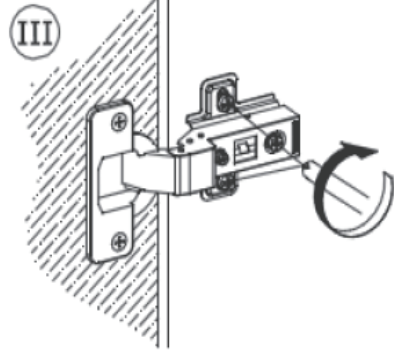
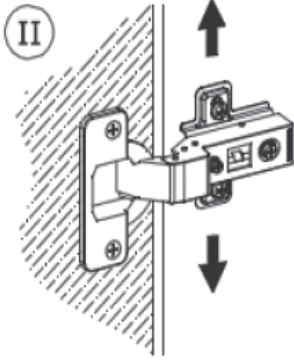
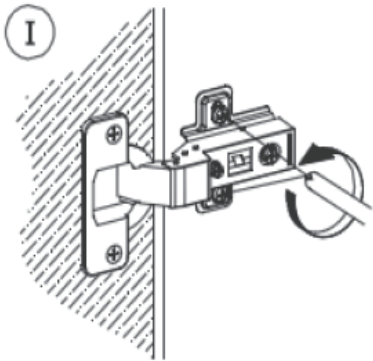
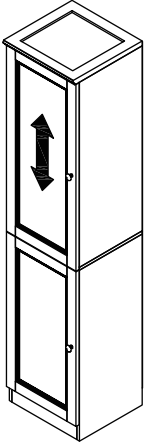
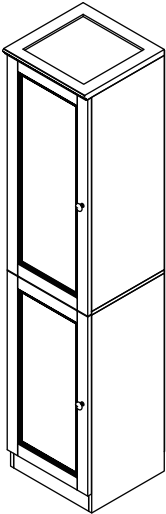


Install anti-tipping device(N) as shown.



If doors are still not aligned if the hinges are properly correctly, please watch the video.

<https://youtu.be/n0Lb36SoODM>



WARRANTY

WARRANTY CLAIMS

- There is a 30-day warranty for broken furniture or any other problems that do not work properly. The warranty will start from the date of purchase which must be verified by proof of purchase.
- Before making a claim, we may be able to answer your query, simply call us. Please leave your purchase order number, along with some details of the problem, if you want a replacement part. We will arrange within 48 hours. If there is out of stock, we will reply with a shipping date.
- The product must be used in accordance with the instructions provided. For health reasons.
- For other reasons, if the furniture needs to be returned, it must be cleaned and dried and operated within 30 days of receipt.

Type of Warranty Claim

- Failure to follow the furniture instructions will invalidate the warranty. Attention please.
- Does not include damage during installation, but includes damage during transportation.

Scope of responsibility

- Shall not bear any responsibility for misuse or user damage and / or loss of parts during the installation of furniture.
- After using, the damage and scratches of the furniture are not covered by the warranty.

The Warranty Relates to All Bought in The Us and Covers The Following Areas

- Sheet parts: 1 month from the date of purchase.
- Electrical parts: 1 month from the date of purchase.

RETURNS

CHANGED YOUR MIND AND NEED TO RETURN YOU ITEM?

PLEASE FOLLOW THE BELOW INSTRUCTIONS:

- If you have purchased and have simply changed your mind, follow the retailer's instructions for returns.

DEFECTIVE ITEMS

- If your item is defective in any way, i.e. it doesn't work but you can't identify why, in the first instance, please call us.

DAMAGED ITEMS

- If you receive an order with obvious shipping damage from the retailer, then we suggest the delivery is refused. If the delivery has been accepted and then shipping damage is found, please follow the specific instructions advised by the retailer.
In all circumstances please save all packaging material and paperwork for the order. Please be aware that if you dispose of packaging material or attempt to return the merchandise without contacting the fulfiller, you jeopardise your chances of making a claim, and you may not receive a credit for the return.

AFTER-SALES CONTACT



feedbackstation@163.com

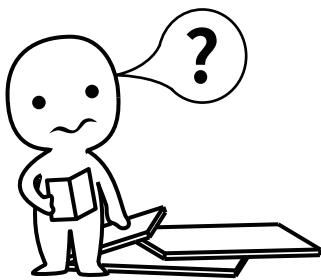


(303)800-6387

INSTALLATION

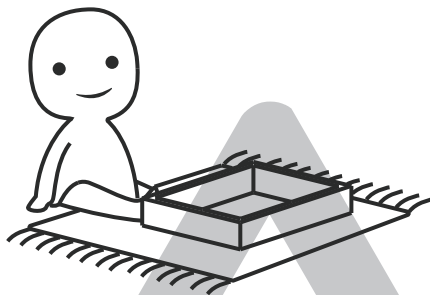
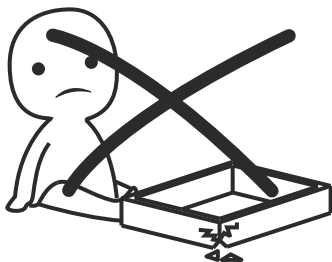
Product Manual

Version: 210209-01-24A-MH



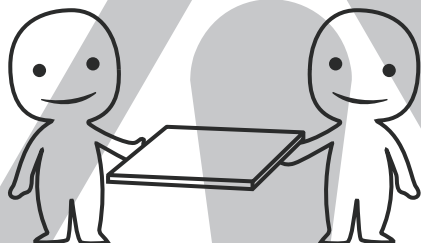
IMPORTANT INFORMATION!

please read the entire manual before starting to assemble and/or using this product. follow the manual thoroughly and keep it for further reference.



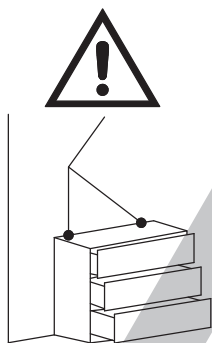
AVOID SCRATCHES!

In order to avoid scratching this furniture should be assembled on a soft layer- could be a rug.



IMPROVE EFFICIENCY !

Try to find a partner to install with you, which can speed up the installation efficiency and shorten the time.



ANTI-TOPPLE WARNING !

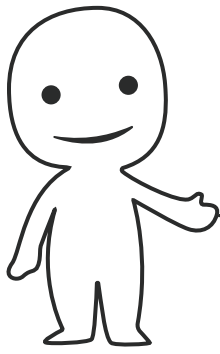
Overturnd furniture can cause serious or fatal crush injuries. To prevent tipping over, be sure to use the wall attachment, if not included with this product. Please purchase the wall attachment that fit your wall. If unsure, seek professional advice. Please read and follow each step of the instructions carefully.

IMPORTANT !

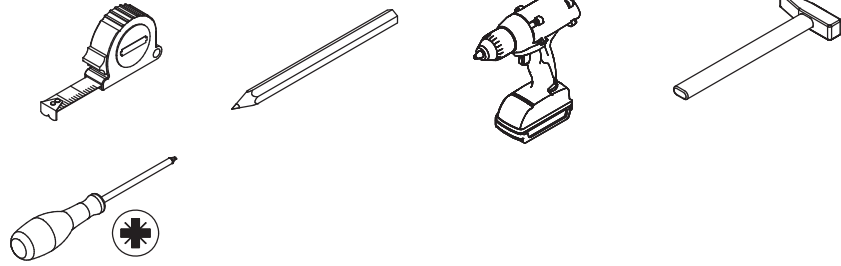
It is important that any product which is assembled using any kind of screw is re-tightened 2 weeks after assembly, and once every 3 months - in order to assure stability through-out the lifespan of the product.

For regular maintenance and cleaning of the product, for the frame, please use a rag dipped in neutral detergent to fully wipe it, and then dry it with a clean rag. For glass materials, wipe with a rag dampened with water glass cleaner, and then dry with a dry rag.

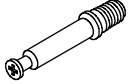

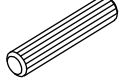
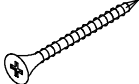


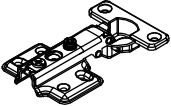
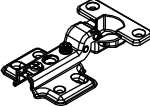





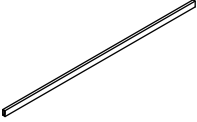

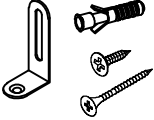
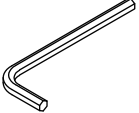
Do not use an electric screwdriver, and do not use too much force when installing, because the board is easy to break.

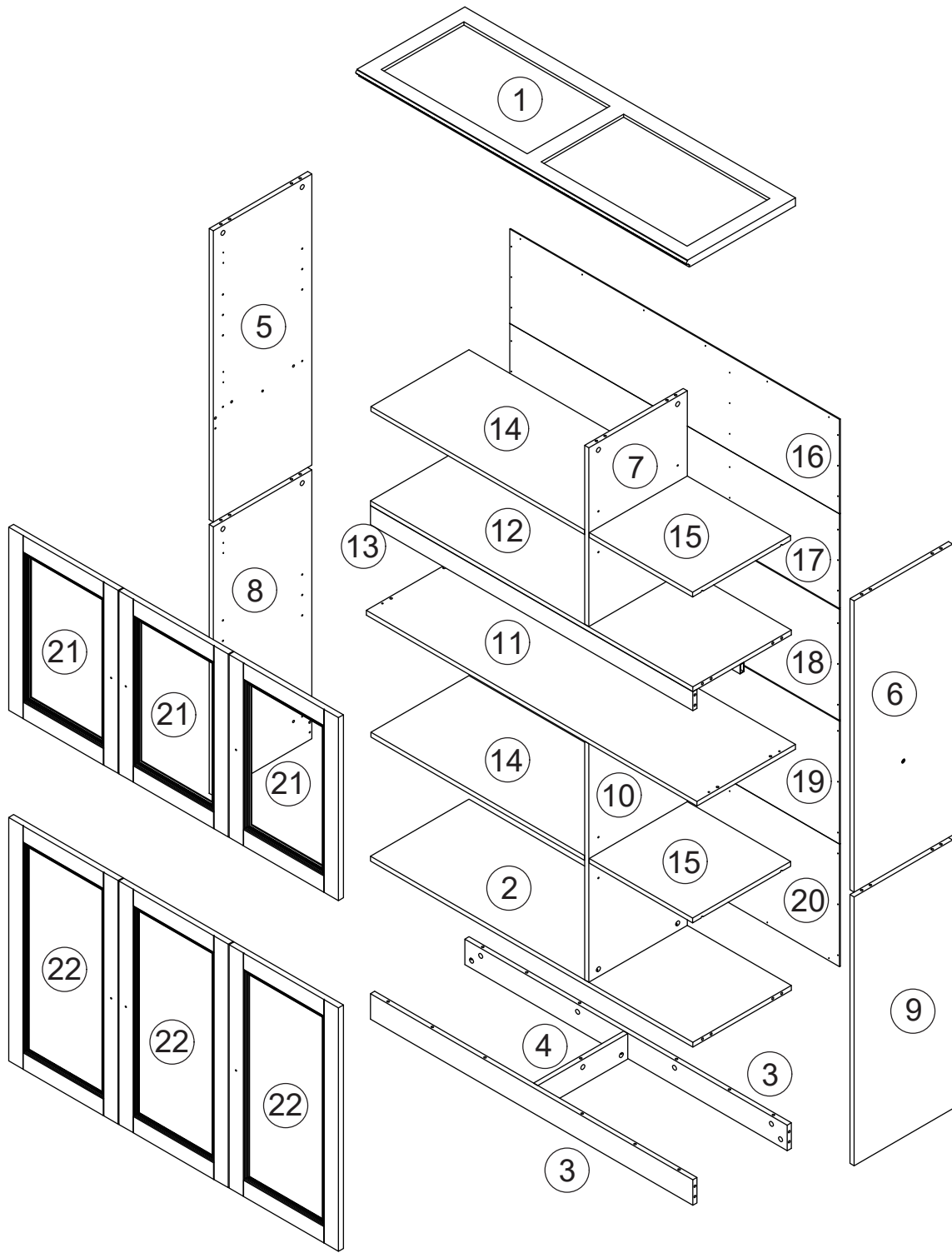


Please prepare the following tools



When installing, please carefully confirm whether each screw corresponds to the manual, accessories with similar shapes can be distinguished by size

| | | | | |
|---|---|---|--|---|
| <p>A x 43</p>  <p>CRA0635A</p> | <p>B x 43</p>  <p>CRB1595A</p> | <p>C x 42</p>  <p>CRF0830A</p> | <p>D x 6</p>  <p>CRD0440A</p> | <p>E x 6</p>  <p>Ø29 x 25 mm</p> |
| <p>F x 6</p>  <p>CRE0420A</p> | <p>G x 8</p>  <p>DGA861A</p> | <p>H x 4</p>  <p>DGA861B</p> | <p>J x 72</p>  <p>CRD3514A</p> | <p>K x 16</p>  <p>Ø4.9 x 16 mm</p> |
| <p>L x 54</p>  <p>CRE0312A</p> | <p>M x 12</p>  <p>15.5 x 10 x 1.2 mm</p> | <p>N x 12</p>  <p>CRD0314A</p> | <p>P x 1</p>  <p>1170 x 30 x 15 mm</p> | <p>Q x 2</p>  <p>CRE0635A</p> |
| <p>R x 1</p>  | <p>S x 1</p>  <p>M4</p> | | | |



⚠ WARNING

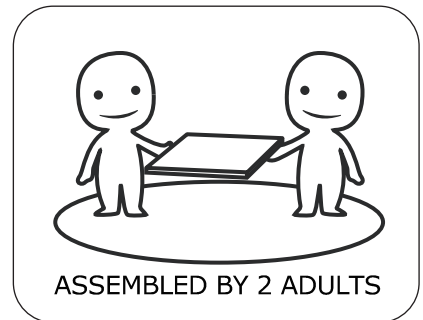


Children have died from furniture tipover. To reduce the risk of furniture tipover:

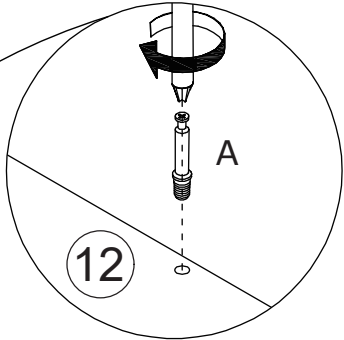
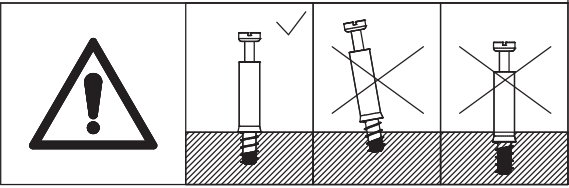
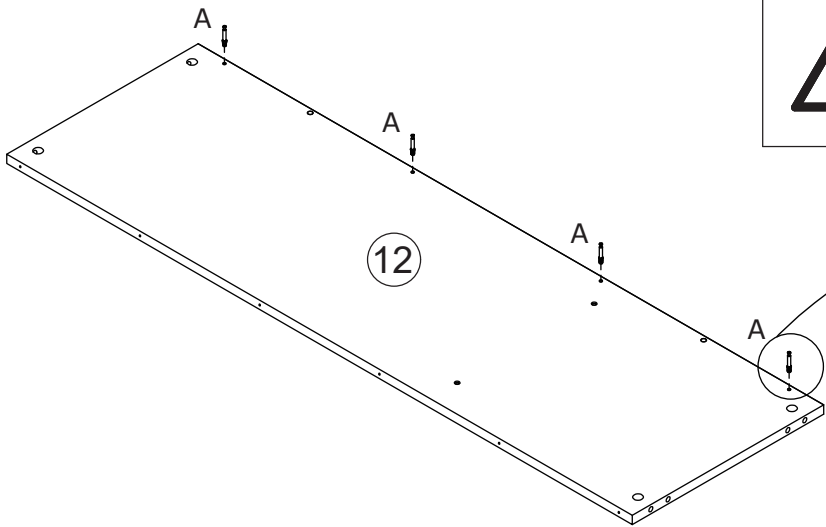
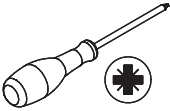
- ALWAYS install tipover restraint provided.
- NEVER put a TV on this product.
- NEVER allow children to stand, climb or hang on drawers, doors, or shelves.
- NEVER open more than one drawer at a time.
- Place heaviest items in the lowest drawers.



*This is a permanent label.
Do not remove!*

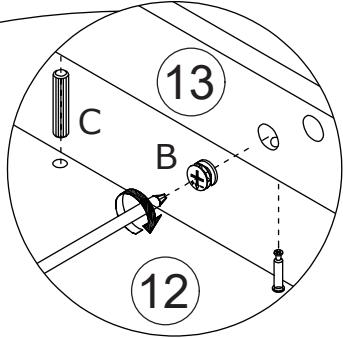
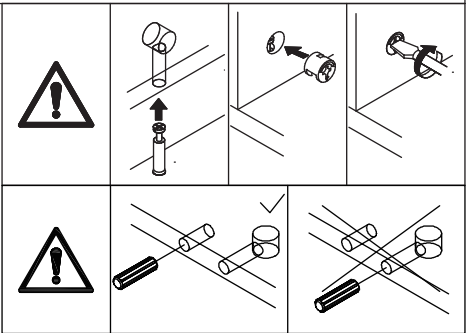
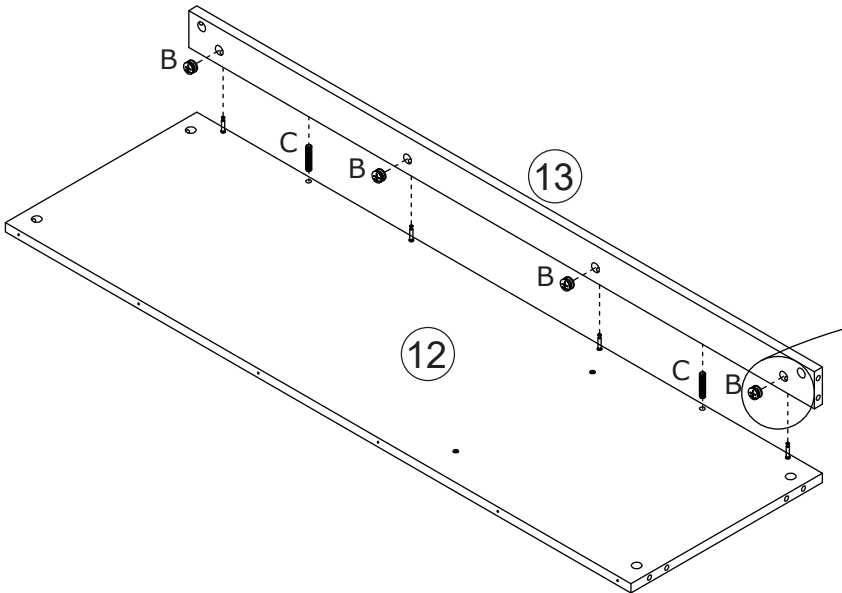
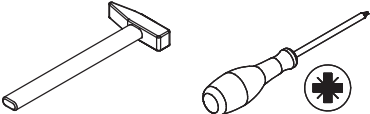
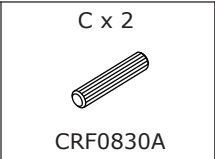
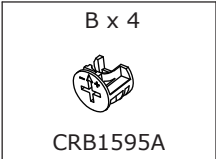


1



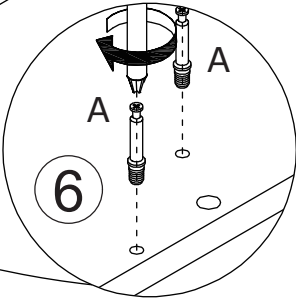
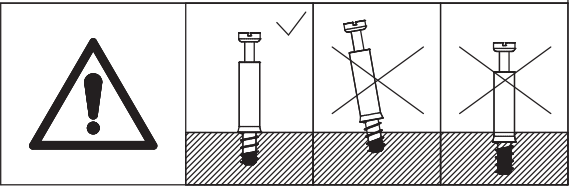
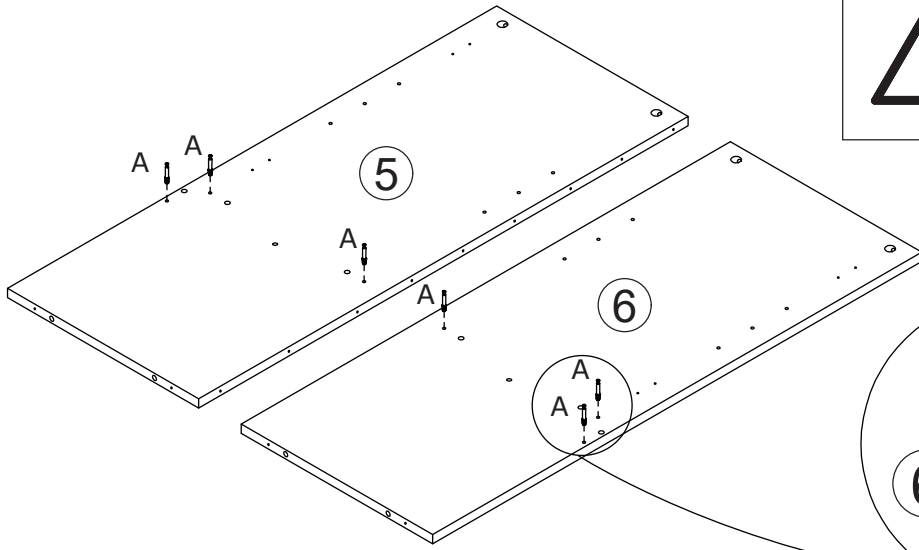
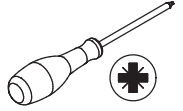
Insert quickfit screw(A) into corresponding holes in plate 12 with a screwdriver as shown.

2



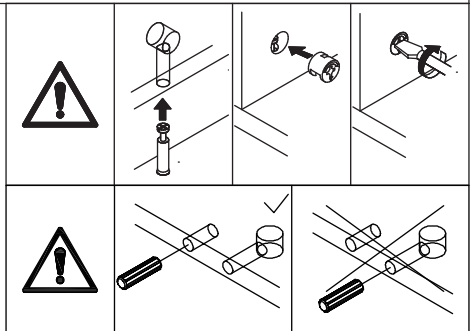
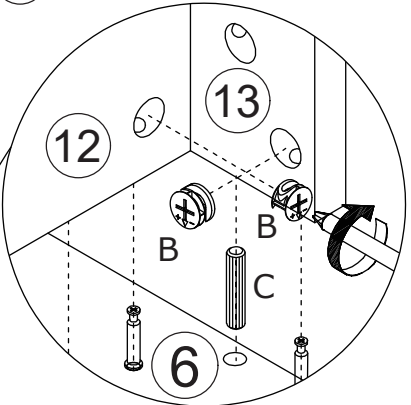
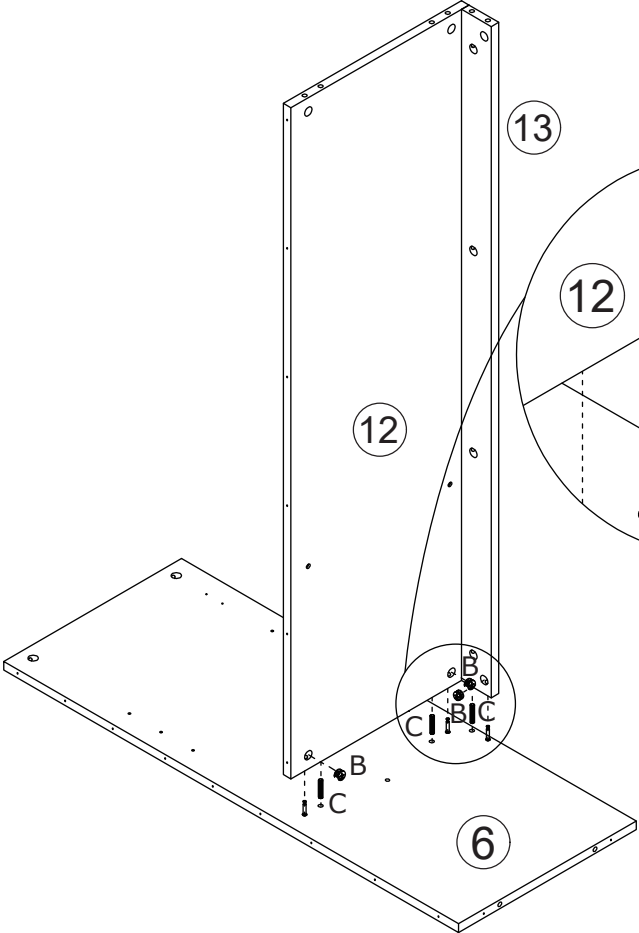
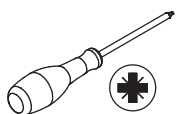
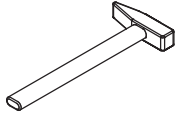
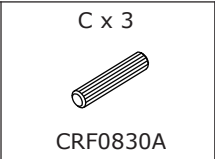
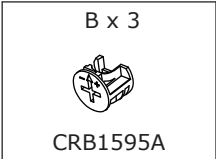
Insert wooden dowel(C) into plate 13, then attach to plate 12. Put cam lock(B) into plate 13 and turn clockwise to tighten as shown.

3



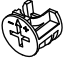
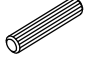

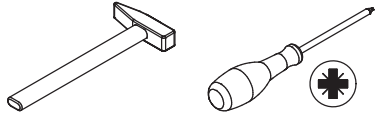
Insert quickfit screw(A) into corresponding holes in plate 5 and 6 with a screwdriver as shown.

4

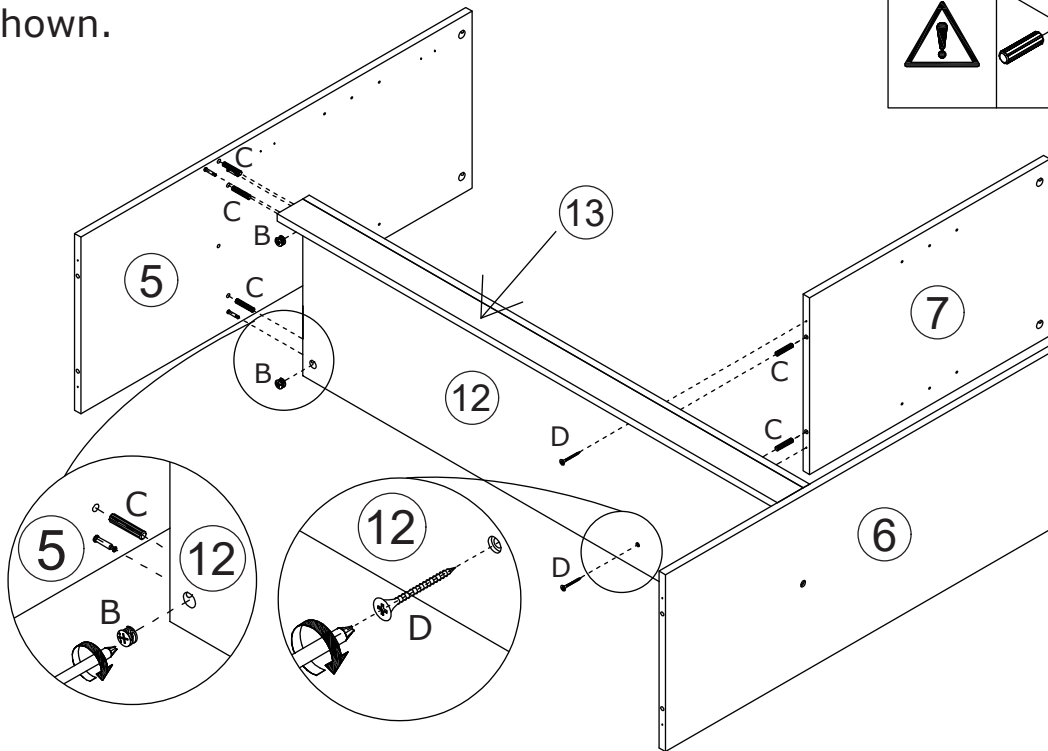
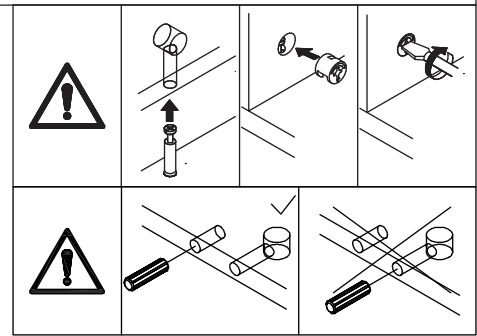


Insert wooden dowel(C) into plate 12 and 13, then attach to plate 6. Put cam lock(B) into plate 12,13 and turn clockwise to tighten as shown.



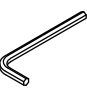
5

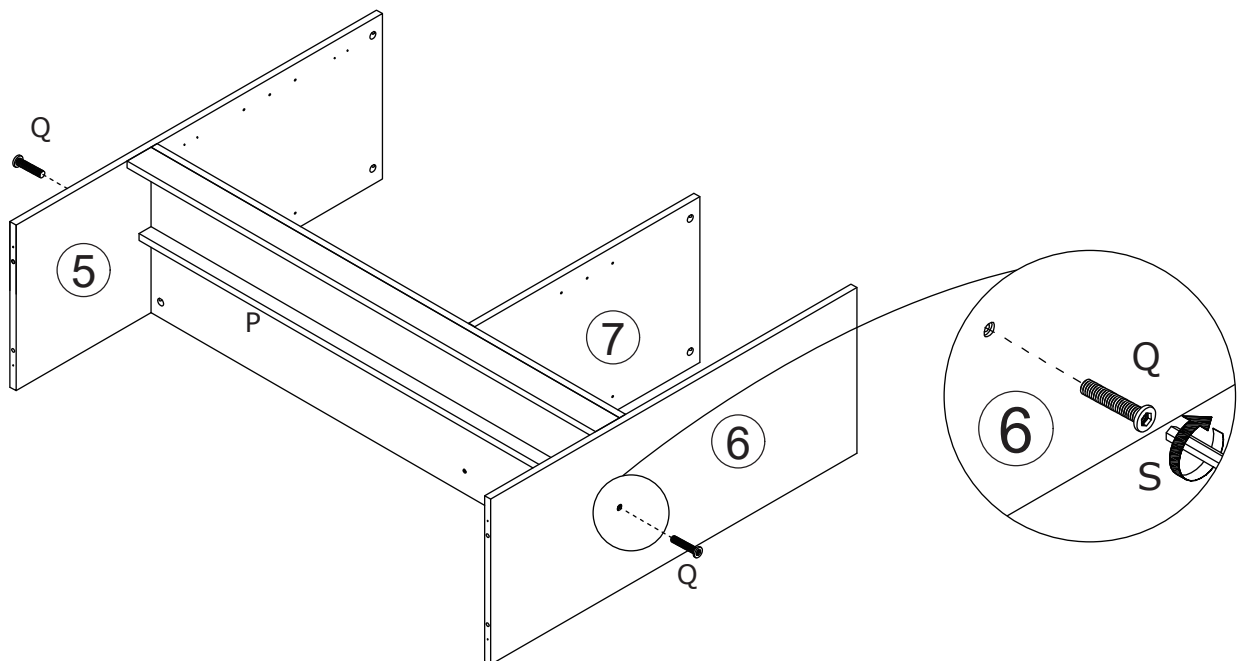
| | | | |
|---|---|---|---|
| <p>B x 3 CRB1595A</p>  | <p>C x 5 CRF0830A</p>  | <p>D x 2 CRD0440A</p>  |  |
|---|---|---|---|

Insert wooden dowel(C) into plate 12 and 13, then attach to plate 5, turn cam lock(B) in plate 12,13 clockwise to tighten as shown. Insert wooden dowel(C) into plate 7, then attach to plate 12 and fix with screw(D) as shown.



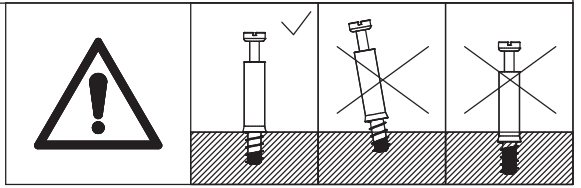
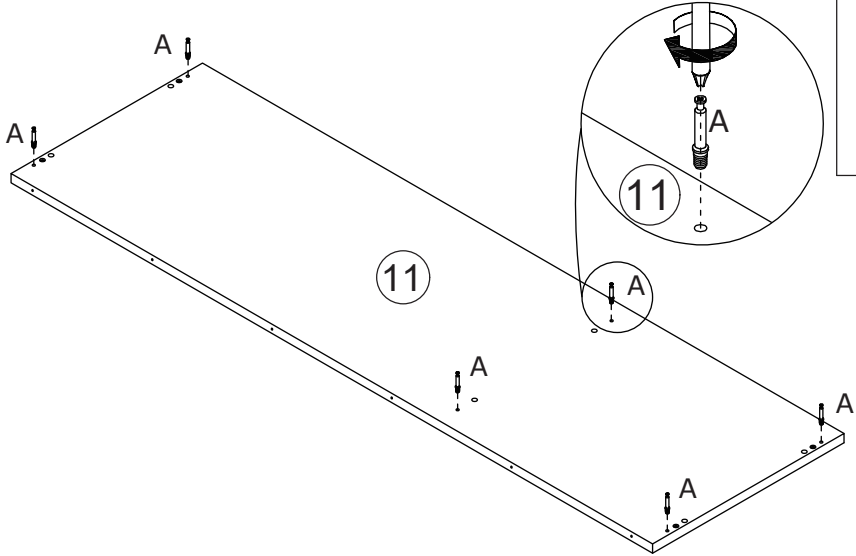
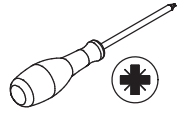
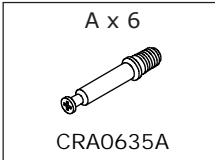
6

| | | | |
|--|---|---|--|
| <p>P x 1 1170 x 30 x 15 mm</p>  | <p>Q x 2 CRE0635A</p>  | <p>S x 1 M4</p>  | |
|--|---|---|--|



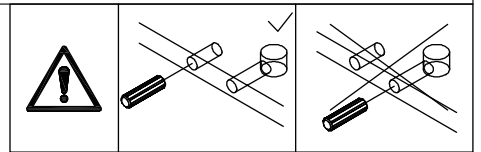
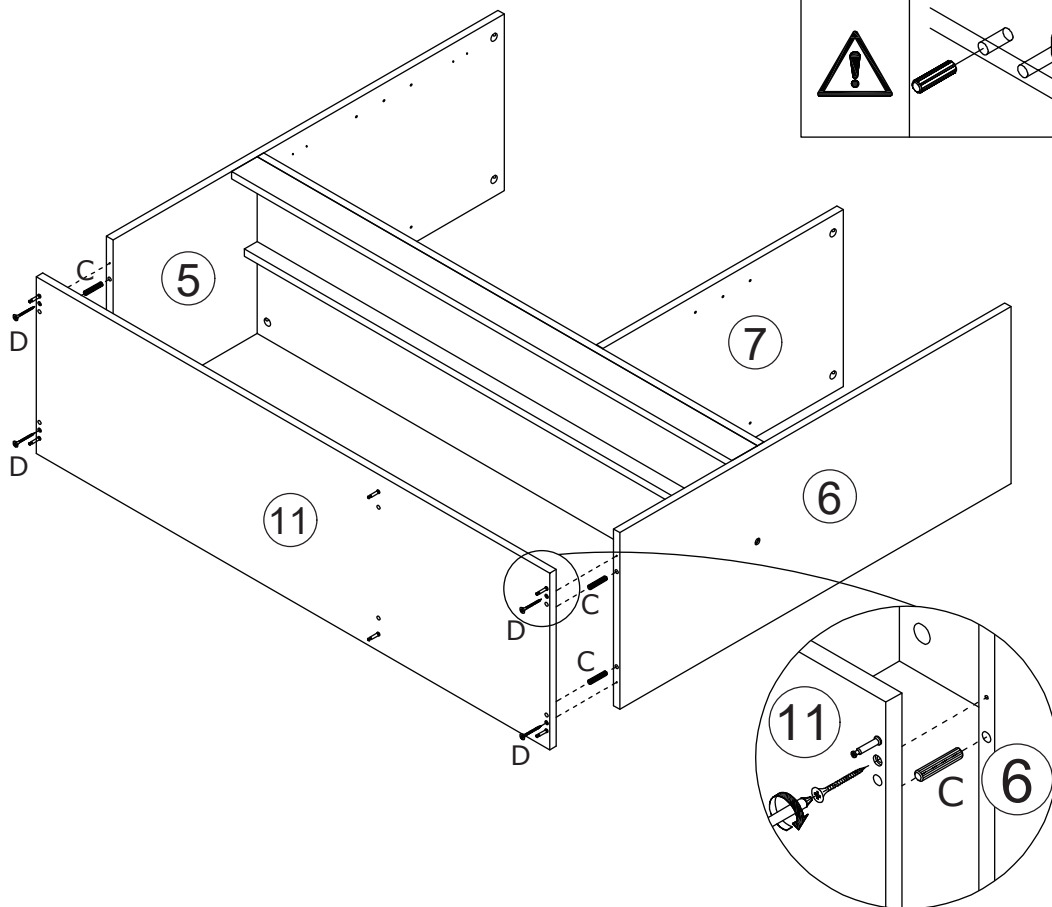
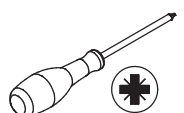
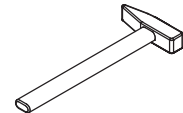
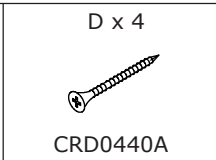
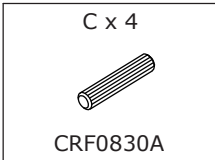
Fix tube(P) to plate 5 and 6 with screw(Q) as shown.

7



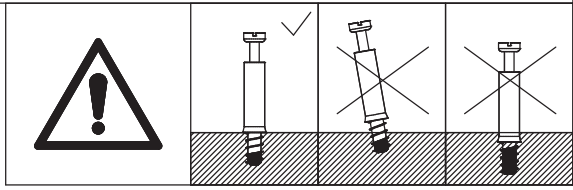
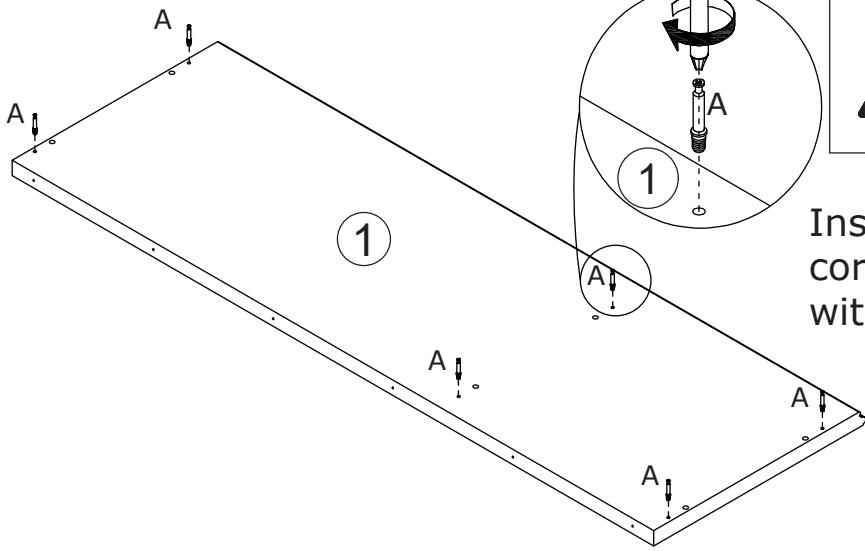
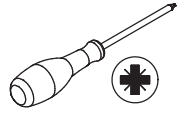
Insert quickfit screw(A) into corresponding holes in plate 11 with a screwdriver as shown.

8



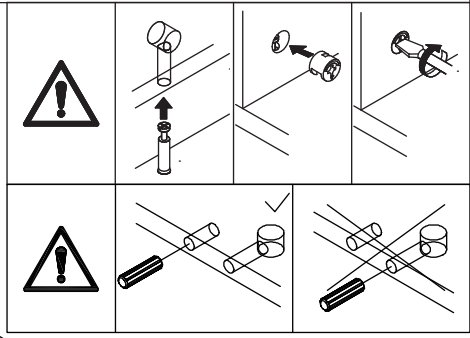
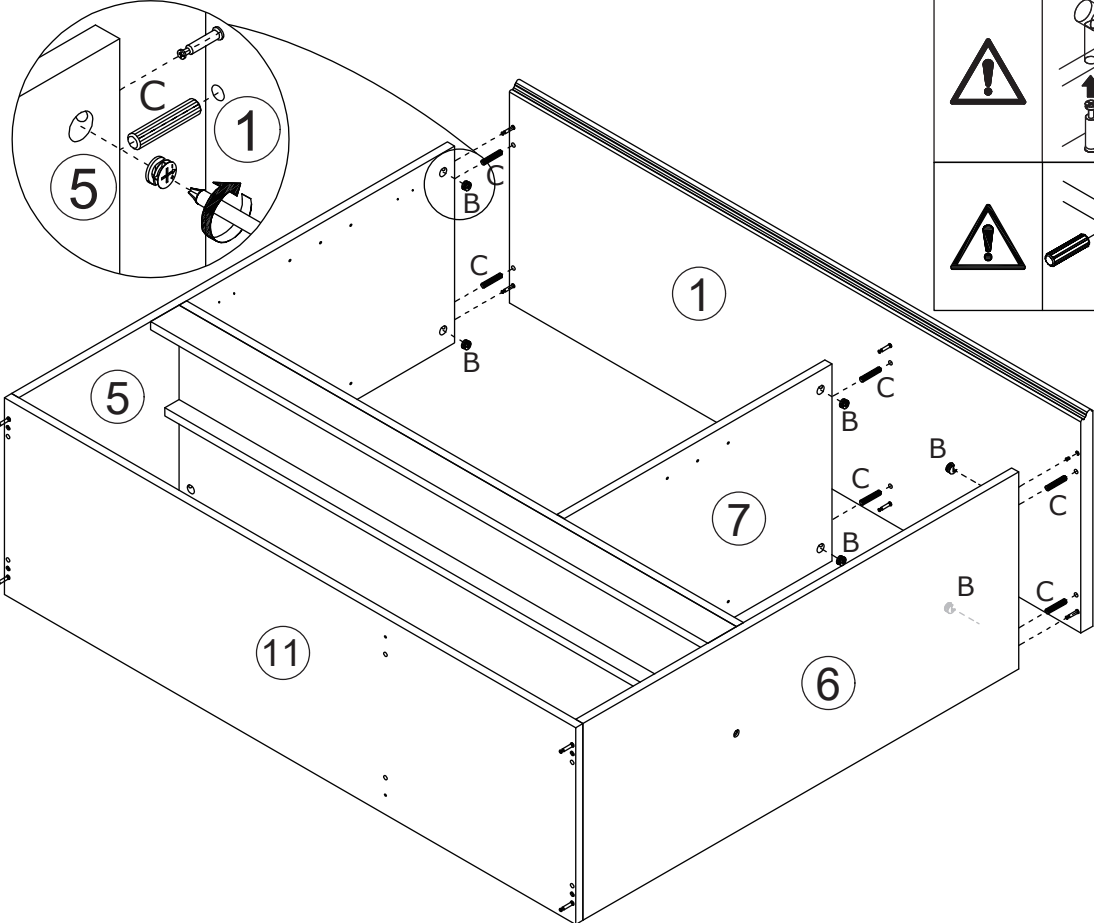
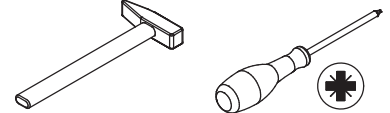
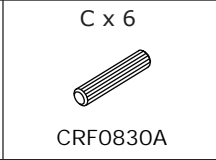
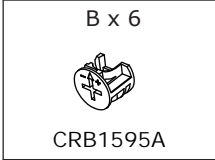
Insert wooden dowel(C) into plate 5 and 6, then attach plate 11 and fix with screw(D) as shown.

9



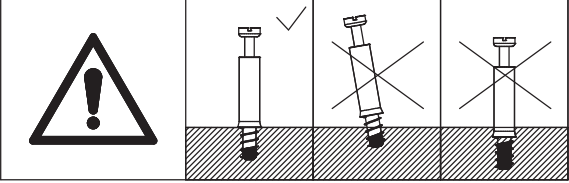
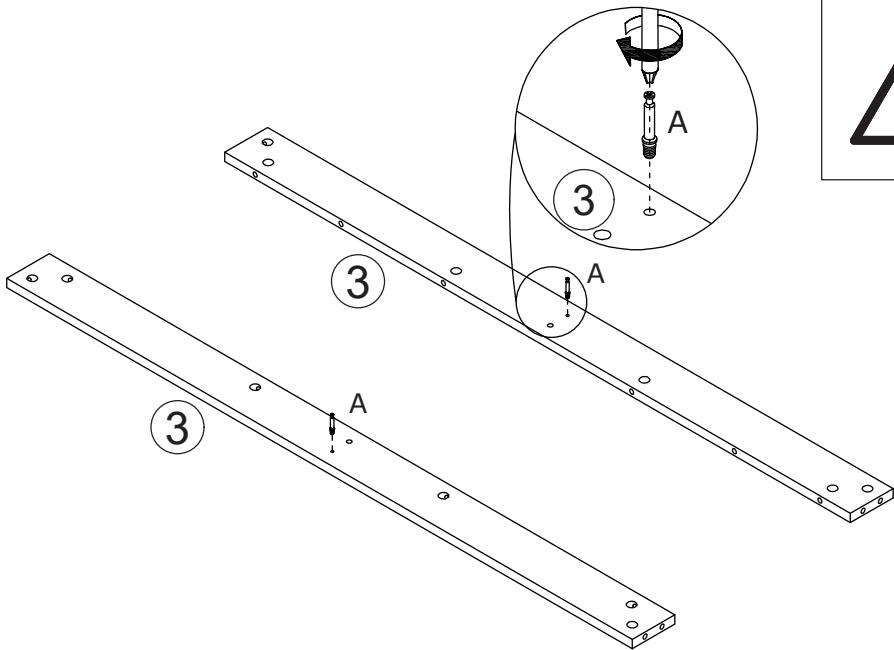
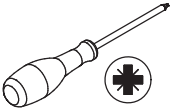
Insert quickfit screw(A) into corresponding holes in plate 1 with a screwdriver as shown.

10



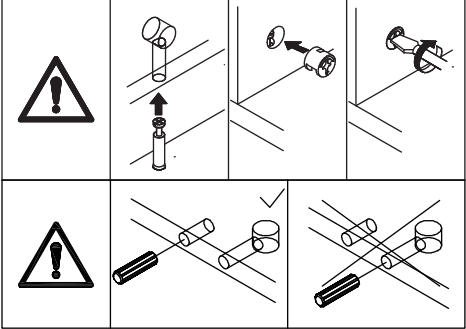
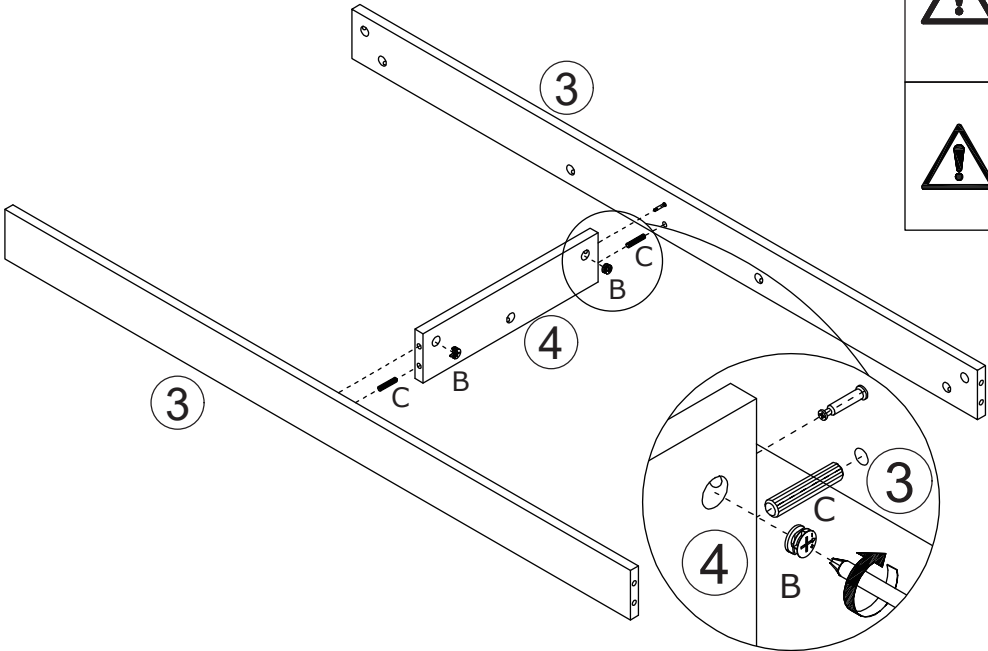
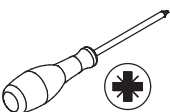
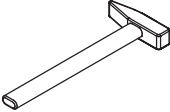
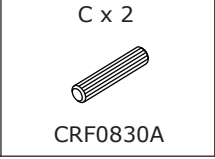
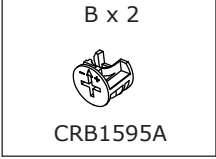
Insert wooden dowel(C) into plate 5 and 6, then cover plate 1, turn cam lock(B) in plate 5,7,6 clockwise to tighten as shown.

11



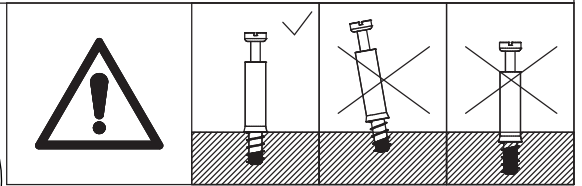
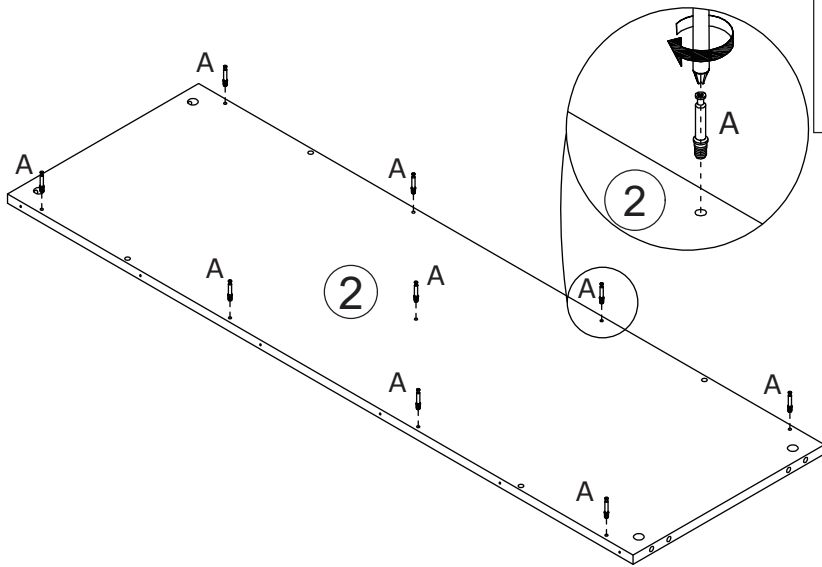
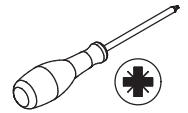
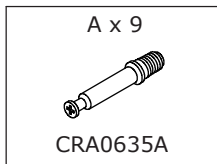
Insert quickfit screw(A) into plate 3 with a screwdriver as shown.

12



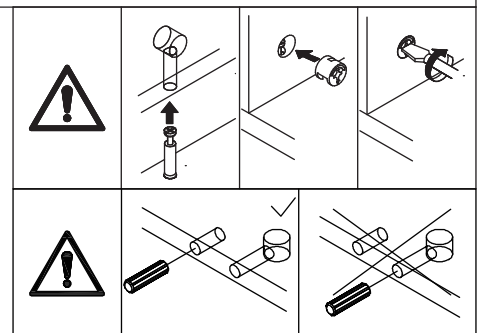
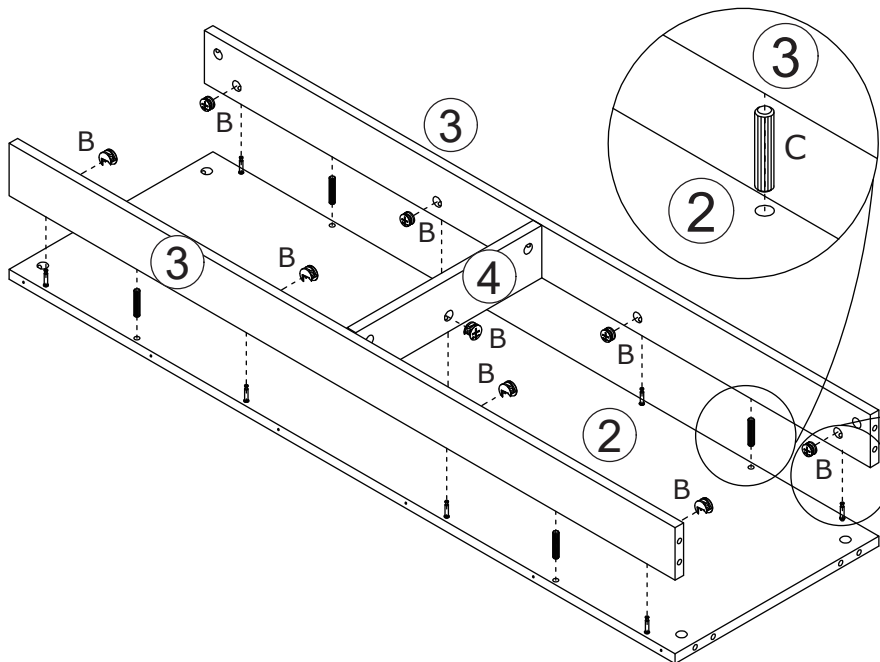
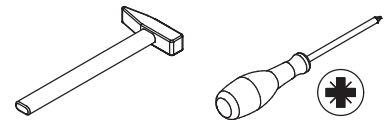
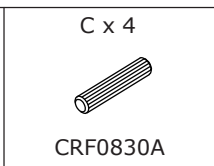
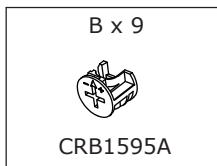
Insert wooden dowel(C) into plate 4, then connect with plate 3, turn cam lock(B) in plate 4 clockwise to tighten as shown.

13



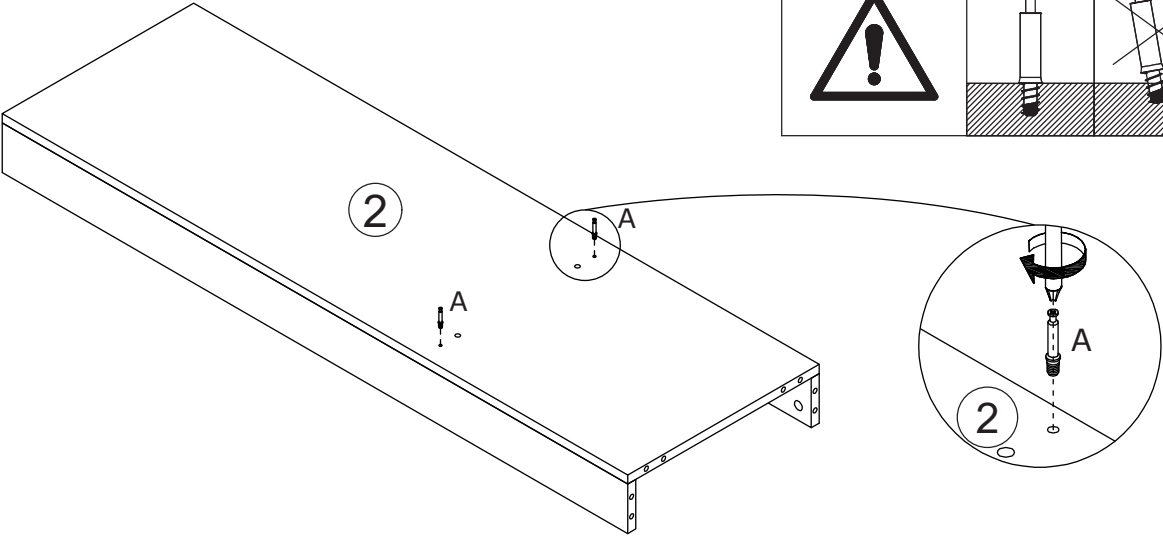
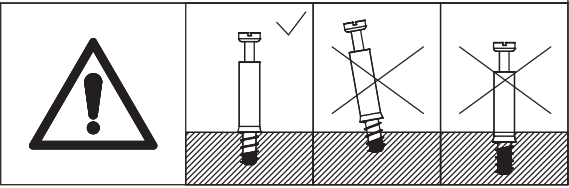
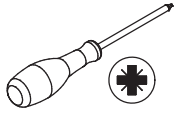
Insert quickfit screw(A) into plate 2 with a screwdriver as shown.

14



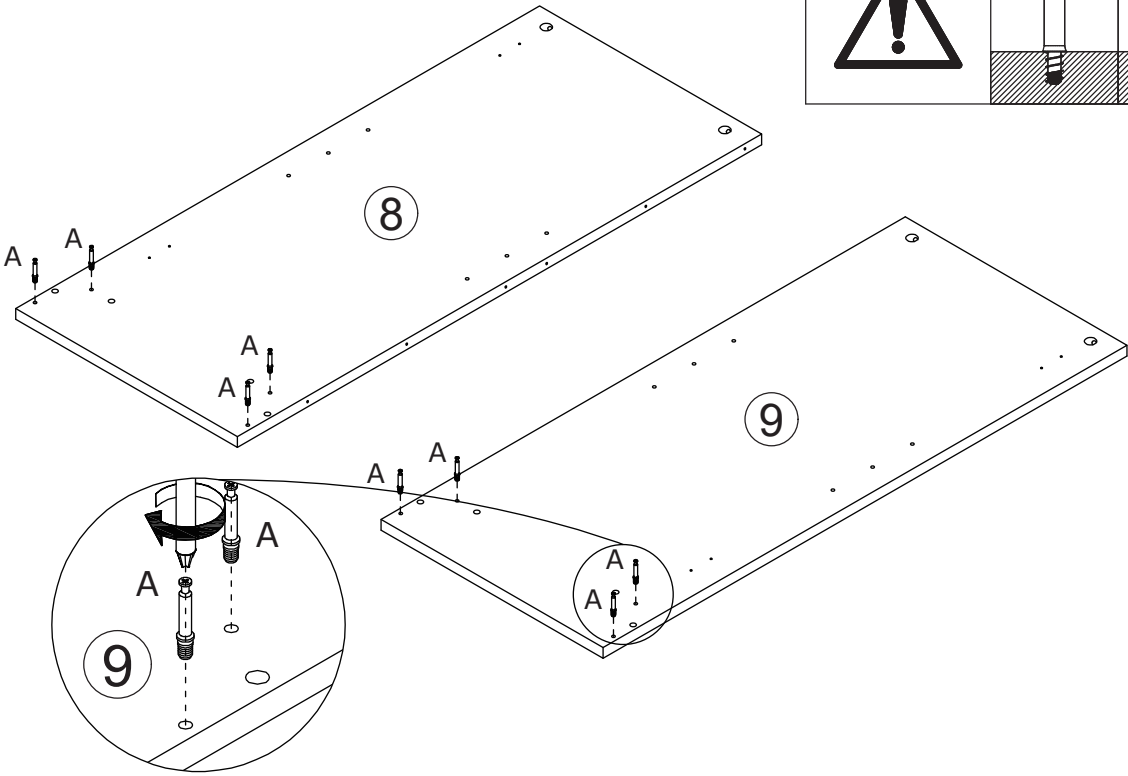
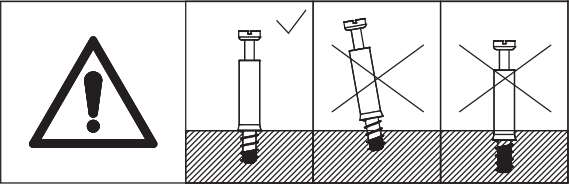
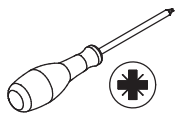
Insert wooden dowel(C) into plate 3, then attach to plate 2, turn cam lock(B) in plate 3,4 clockwise to tighten as shown.

15



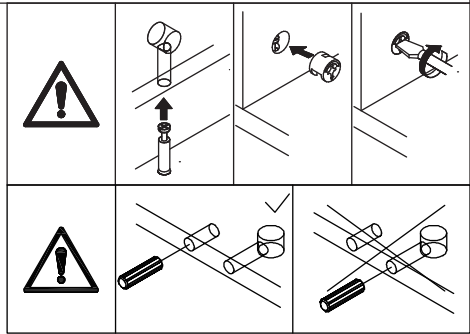
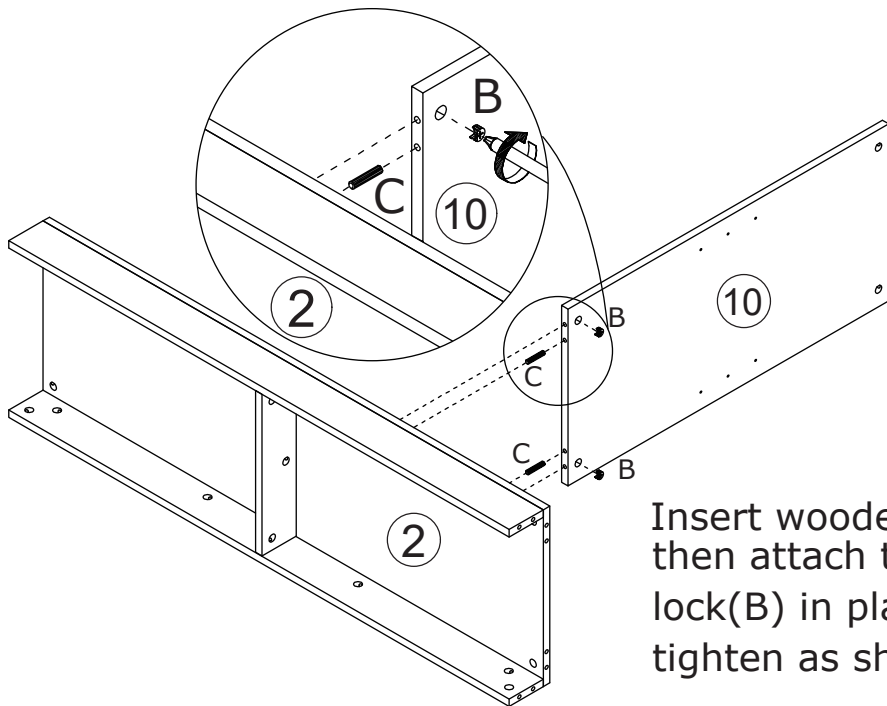
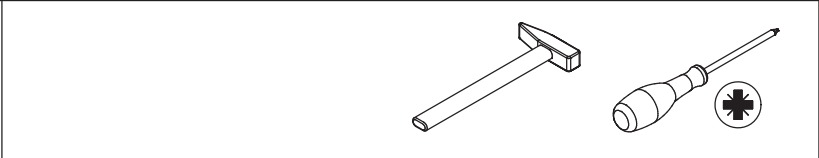
Insert quickfit screw(A) into plate 2 with a screwdriver as shown.

16



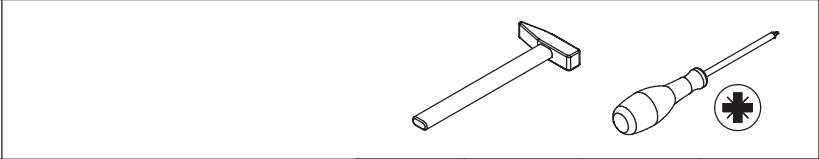
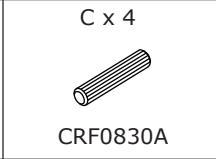
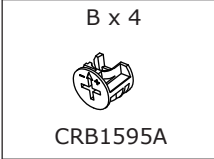
Insert quickfit screw(A) into plate 8 and 9 with a screwdriver as shown.

17

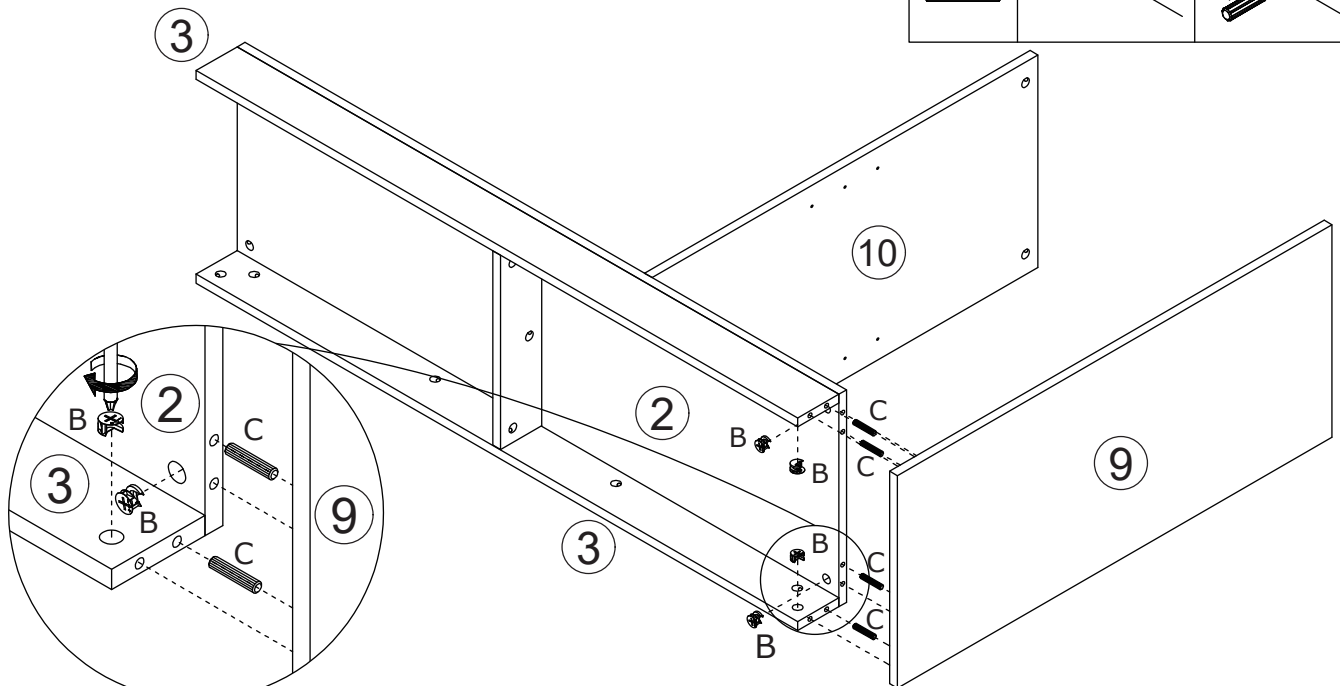
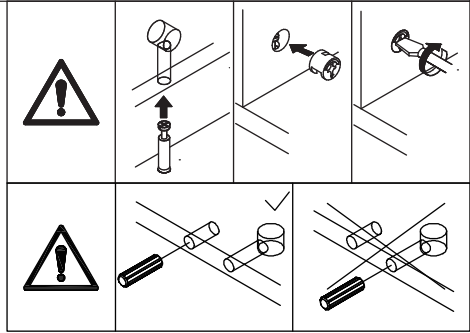


Insert wooden dowel(C) into plate 10 then attach to plate 2, turn cam lock(B) in plate 10 clockwise to tighten as shown.

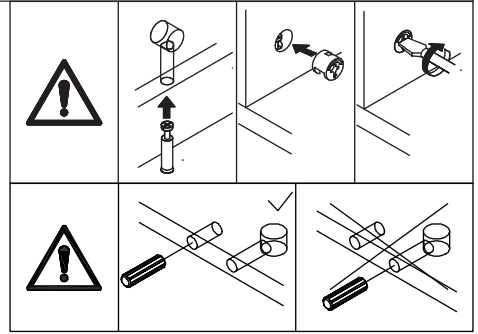
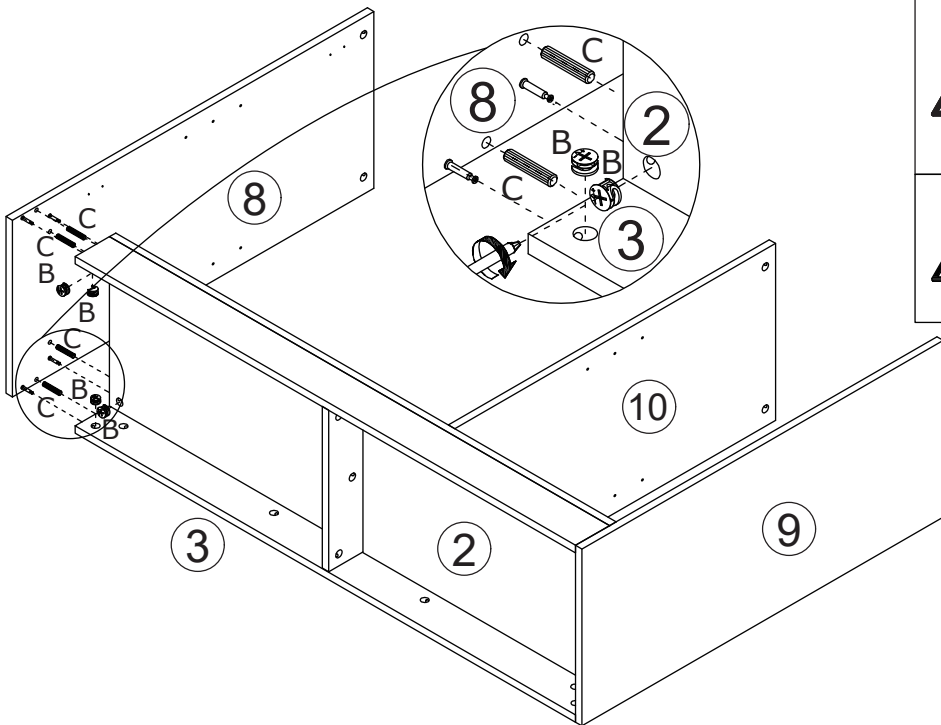
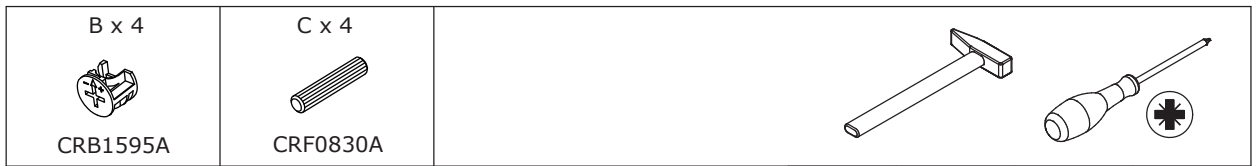
18



Insert wooden dowel(C) into plate 2 and 3, then attach plate 9, turn cam lock(B) in plate 2,3 clockwise to tighten as shown.

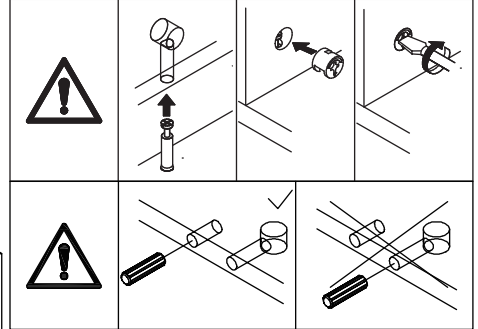
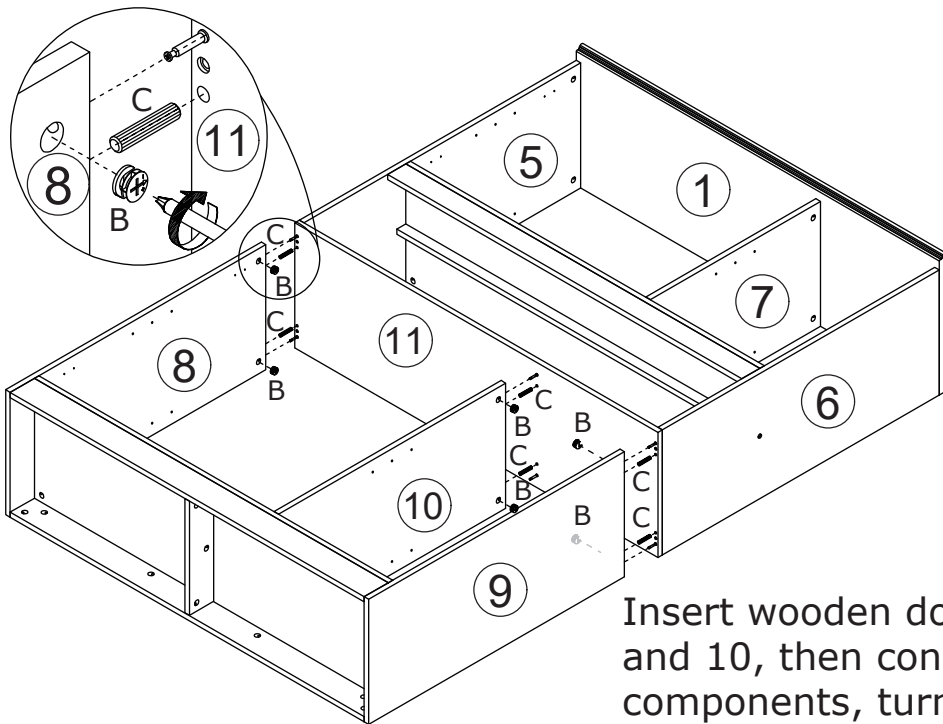
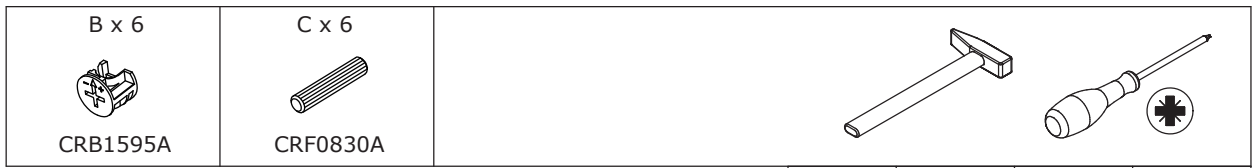


19






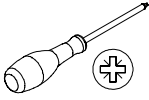
Insert wooden dowel(C) into plate 2 and 3, then attach plate 8, turn cam lock(B) in plate 2,3 clockwise to tighten as shown.



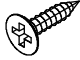
20

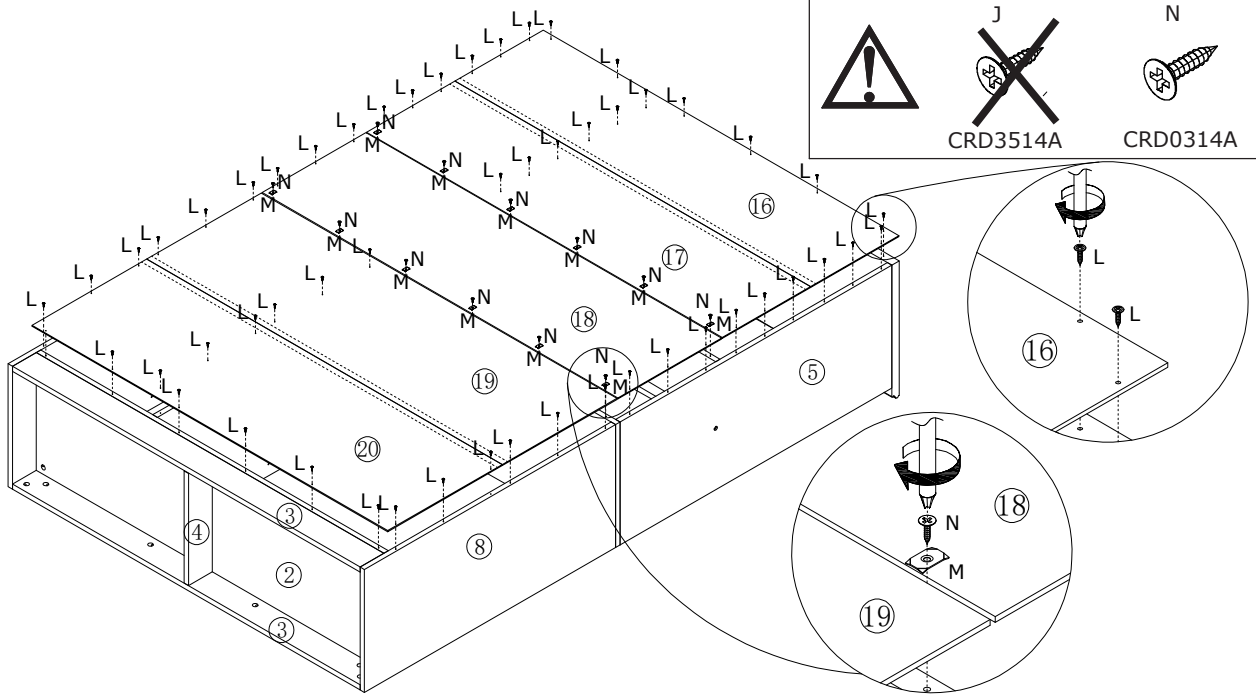


Insert wooden dowel(C) into plate 8, 9 and 10, then connect the two assembled components, turn cam lock(B) in plate 8, 10,9 clockwise to tighten as shown.
We suggest more than two people to assemble in this step.

21


| | | | |
|---|--|---|---|
| L x 54  CRE0312A | M x 12  15.5 x 10 x 1.2mm | N x 12  CRD0314A |  |
|---|--|---|---|

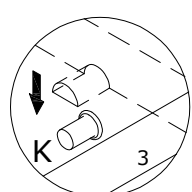
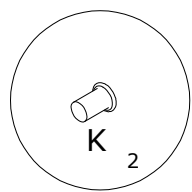
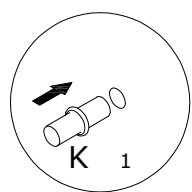
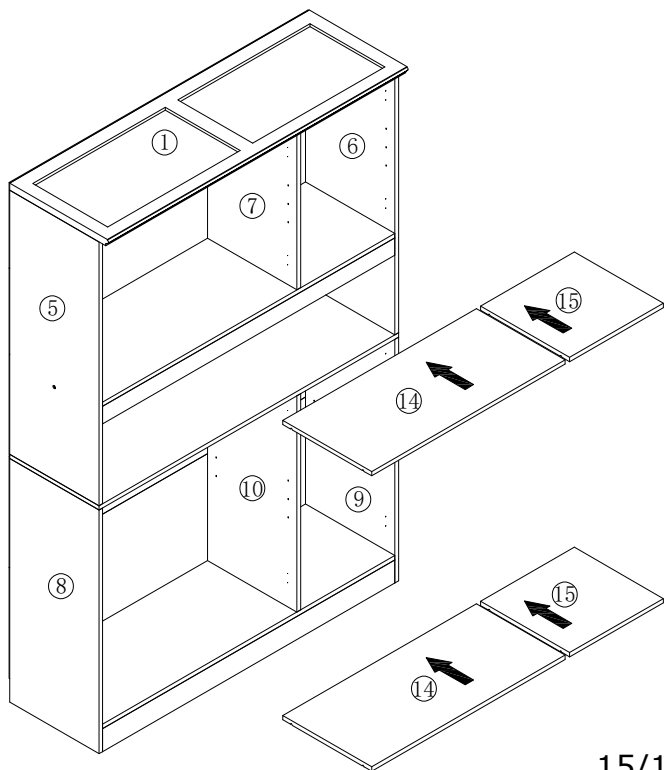
| | | |
|---|---|--|
|  | J  CRD3514A | N  CRD0314A |
|---|---|--|



Flip the unit to back, fix back plate 16, 17, 18, 19 and 20 with screw(L) as shown.
Use iron sheet(M) to fix plate 17, 18 and 19 together with screw(N) as shown.

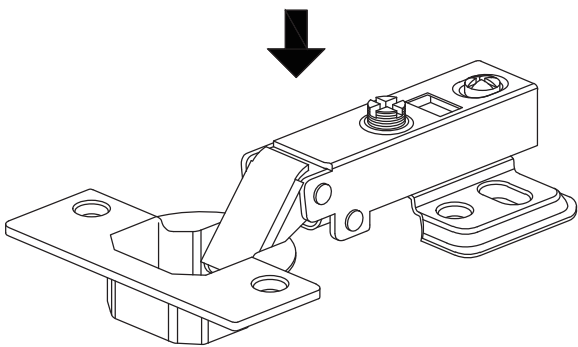
22

| | |
|--|--|
| K x 16  Ø4.9 x 16mm | |
|--|--|

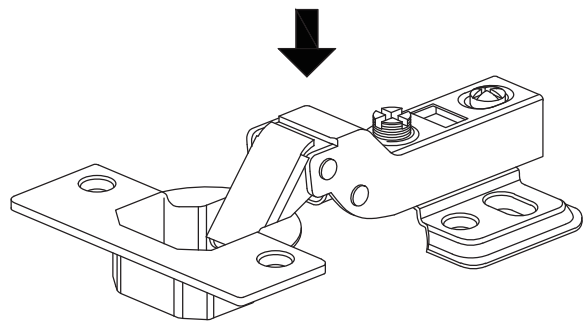


Insert part(K) into plate 5, 7, 6, 8, 10 and 9, then place shelf 14 and 15 in as shown.

Please note, here are two different types of hinges.
The full coverage door hinges(G) are used on outermost door panel.
The curved door hinges(H) are used on the door panel in the middle
of the cabinet.

**G**

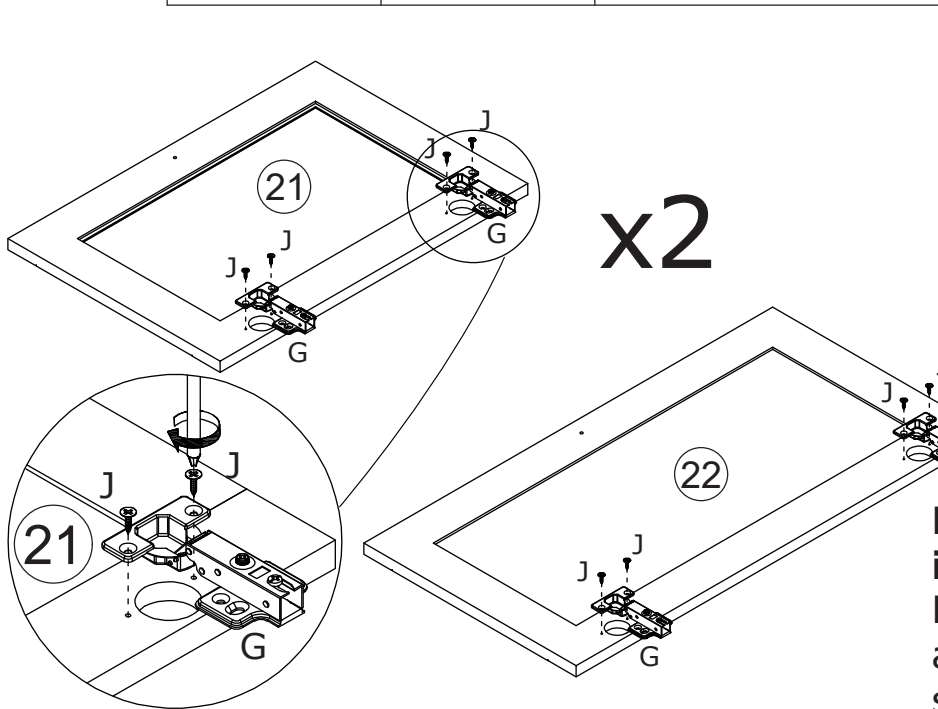
Full overlay hinge







**H**

Half overlay hinge

24




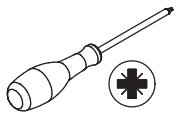
| | | | |
|---|---|--|---|
| G x 8  DGA861A | J x 16  CRD3514A | |  |
|---|---|--|---|

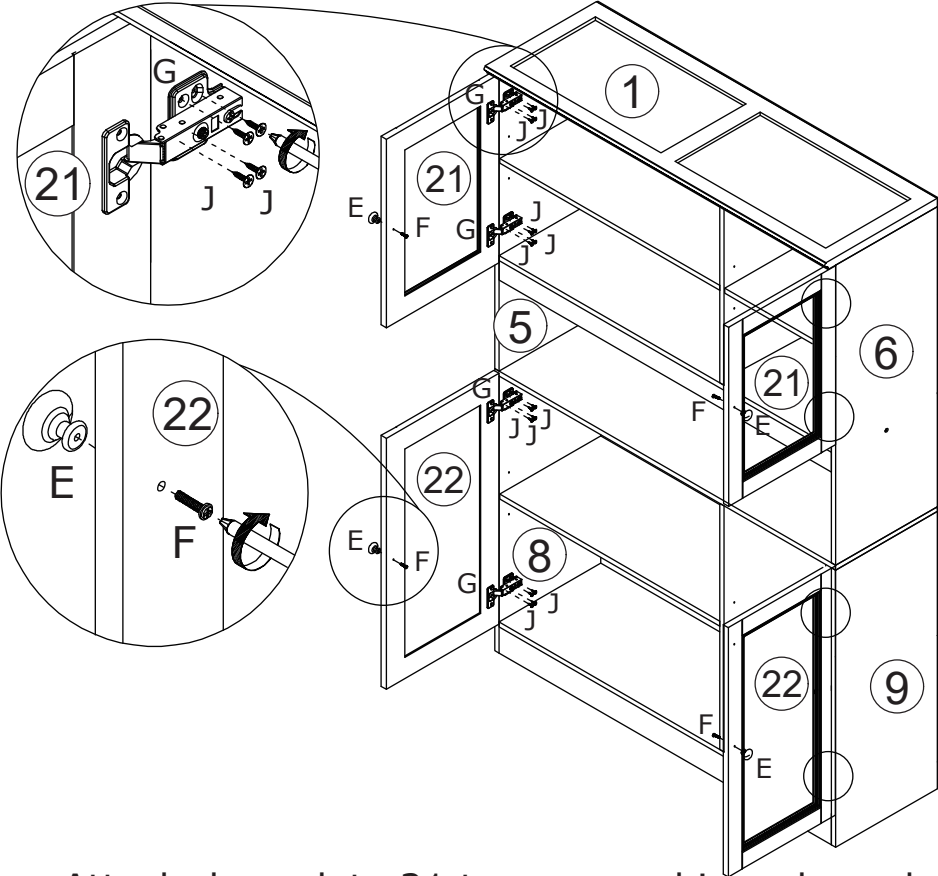








| | | |
|---|--|--|
|  | J  CRD3514A | N  CRD0314A |
|  | G  | H  |

Please note, hinge(G) is used in this step.
Fix hinge(G) to plate 21 and 22 with screw(J) as shown.

25

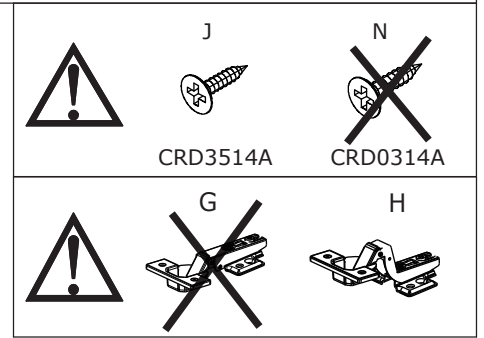
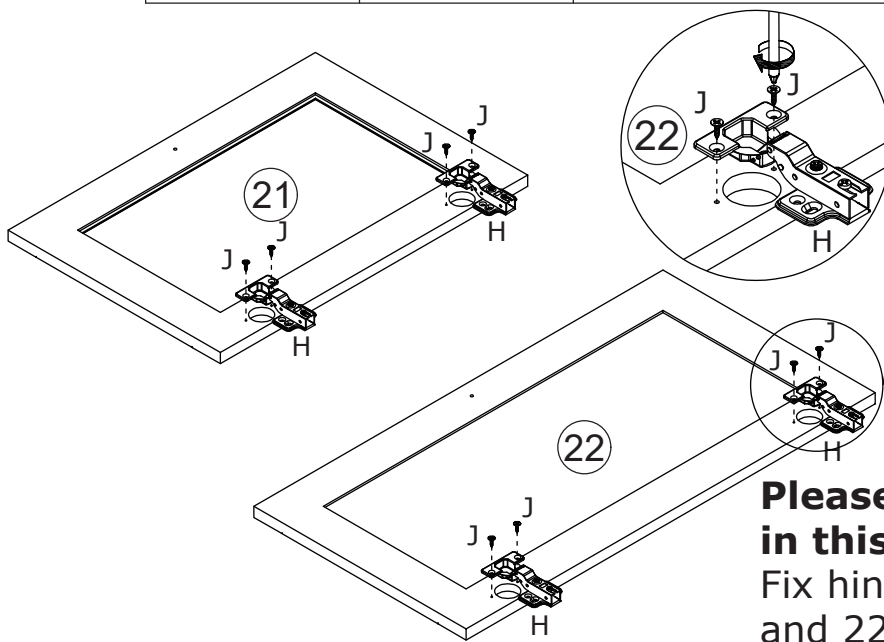
| | | | |
|--|--|---|--|
| E x 4  Ø29 x 25 mm | F x 4  CRE0420A | J x 32  CRD3514A |  |
|--|--|---|--|



| | | |
|---|--|--|
|  | J  CRD3514A | N  CRD0314A |
|  | G  | H  |

Attach door plate 21 to upper cabine; door plate 22 to lower cabinet by fixing hinge with screw(J) as shown.
Fix knob(E) with screw(F) as shown.

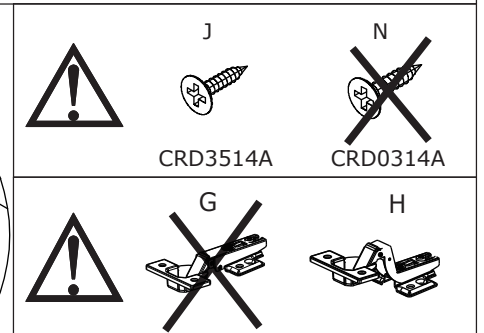
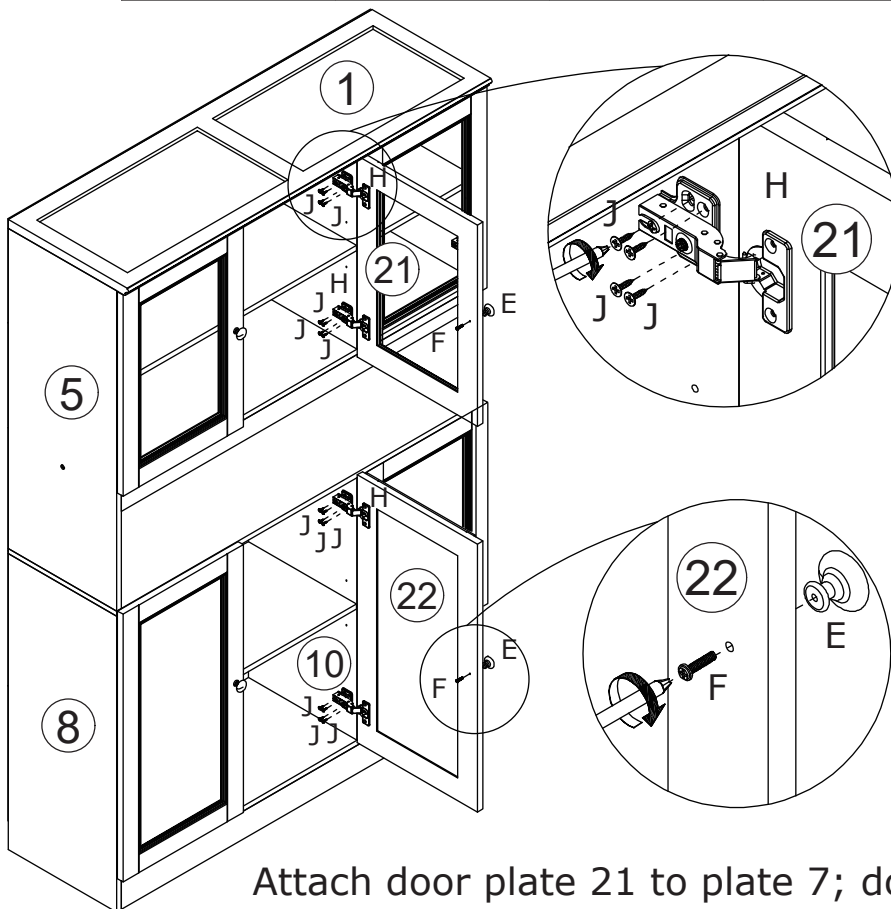
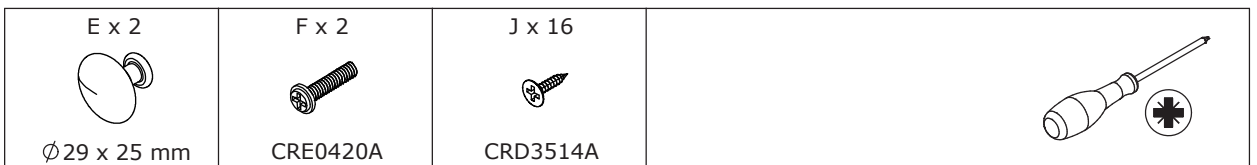
26



Please note, hinge(H) is used in this step.

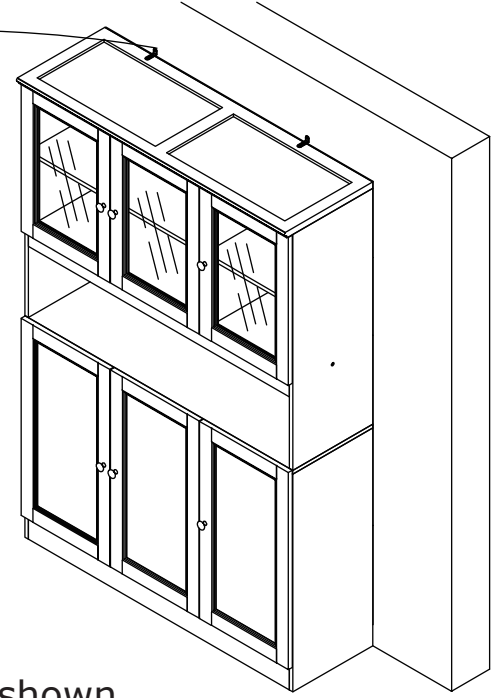
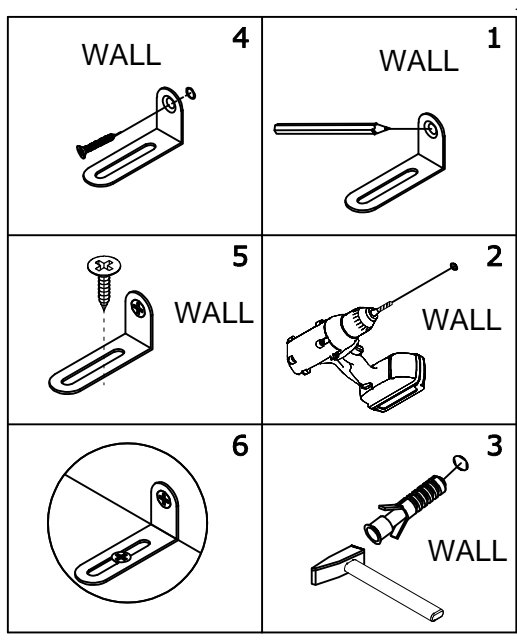
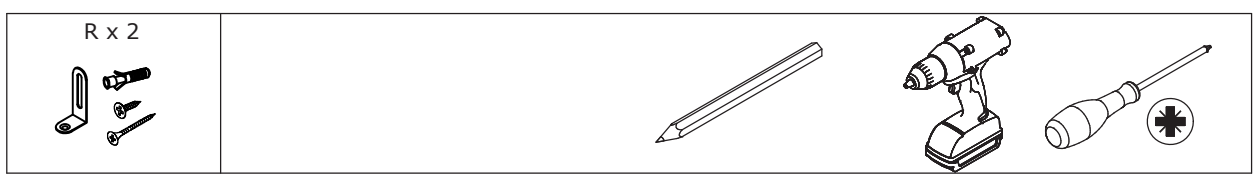
Fix hinge(H) to another plate 21 and 22 with screw(J) as shown.

27



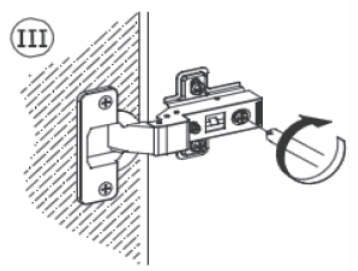
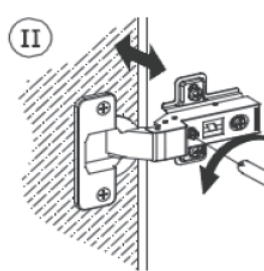
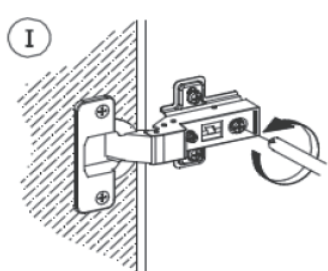
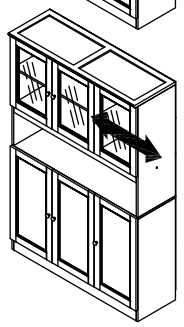
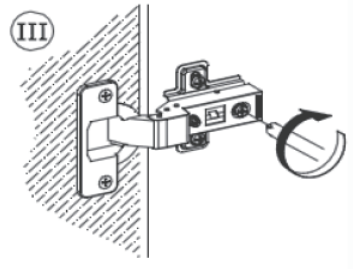
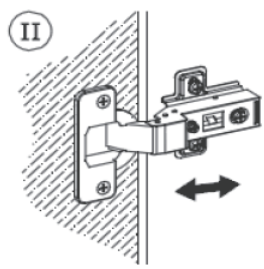
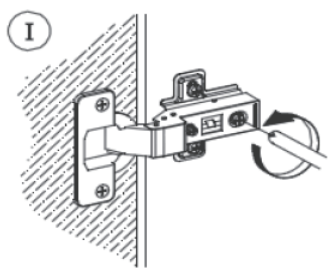
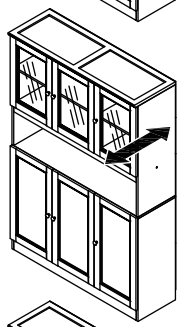
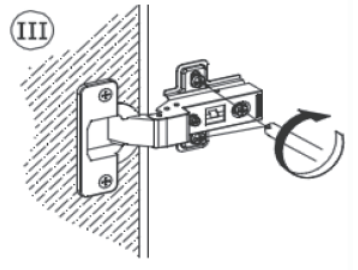
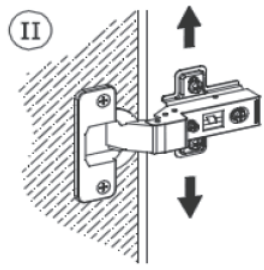
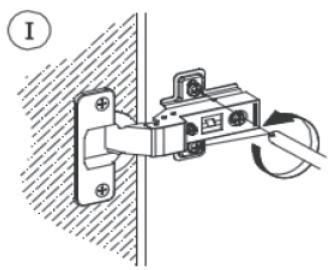
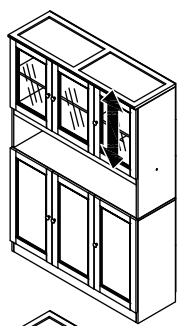
Attach door plate 21 to plate 7; door plate 22 to plate 10 by fixing hinge with screw(J) as shown.
Fix knob(E) with screw(F) as shown.

28



Install anti-tipping device(R) as shown.

If doors are still not aligned if the hinges are properly correctly, please watch the video.
<https://youtu.be/n0Lb36SoODM>



WARRANTY

WARRANTY CLAIMS

- There is a 30-day warranty for broken furniture or any other problems that do not work properly. The warranty will start from the date of purchase which must be verified by proof of purchase.
- Before making a claim, we may be able to answer your query, simply call us. Please leave your purchase order number, along with some details of the problem, if you want a replacement part. We will arrange within 48 hours. If there is out of stock, we will reply with a shipping date.
- The product must be used in accordance with the instructions provided. For health reasons.
- For other reasons, if the furniture needs to be returned, it must be cleaned and dried and operated within 30 days of receipt.

Type of Warranty Claim

- Failure to follow the furniture instructions will invalidate the warranty. Attention please.
- Does not include damage during installation, but includes damage during transportation.

Scope of responsibility

- Shall not bear any responsibility for misuse or user damage and / or loss of parts during the installation of furniture.
- After using, the damage and scratches of the furniture are not covered by the warranty.

The Warranty Relates to All Bought in The Us and Covers The Following Areas

- Sheet parts: 1 month from the date of purchase.
- Electrical parts: 1 month from the date of purchase.

RETURNS

CHANGED YOUR MIND AND NEED TO RETURN YOU ITEM?

PLEASE FOLLOW THE BELOW INSTRUCTIONS:

- If you have purchased and have simply changed your mind, follow the retailer's instructions for returns.

DEFECTIVE ITEMS

- If your item is defective in any way, i.e. it doesn't work but you can't identify why, in the first instance, please call us.

DAMAGED ITEMS

- If you receive an order with obvious shipping damage from the retailer, then we suggest the delivery is refused. If the delivery has been accepted and then shipping damage is found, please follow the specific instructions advised by the retailer.
In all circumstances please save all packaging material and paperwork for the order. Please be aware that if you dispose of packaging material or attempt to return the merchandise without contacting the fulfiller, you jeopardise your chances of making a claim, and you may not receive a credit for the return.

AFTER-SALES CONTACT



feedbackstation@163.com



(303)800-6387