

JONES STEPHENS LEVELBEST ADJUSTABLE DRAINS



LevelBest drains allow for adjustment to floor level *after* the concrete is poured.

- **LevelBest** has industry standard IPS threads that are compatible with most adapters and drain bodies.
- **LevelBest** is compatible with most plastic and brass spuds used in the industry.
- **LevelBest** includes a spacer ring that can be used with brass spuds.
- **LevelBest** is compatible with PVC, ABS or CAST IRON drains and cleanouts.
- **LevelBest** can be used with tile rings.



REMOVABLE DOME CAP

REMOVE WITH PLIERS OR WATER METER KEY AFTER THE CONCRETE IS POURED

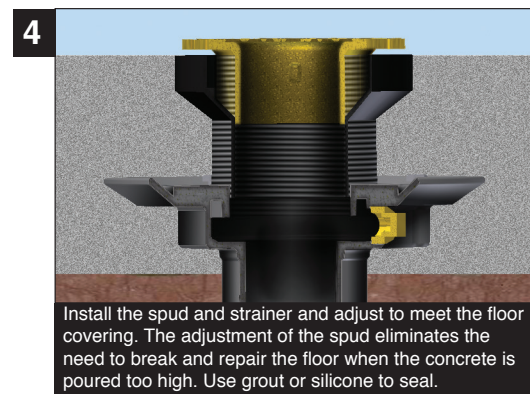
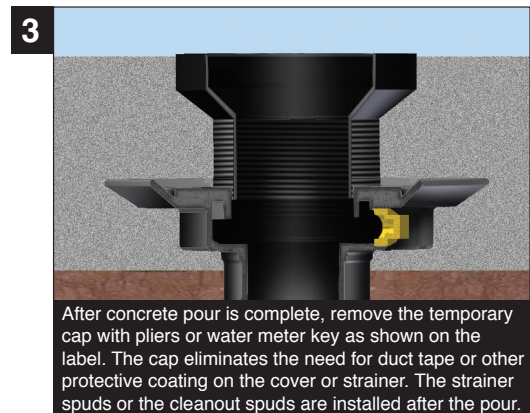
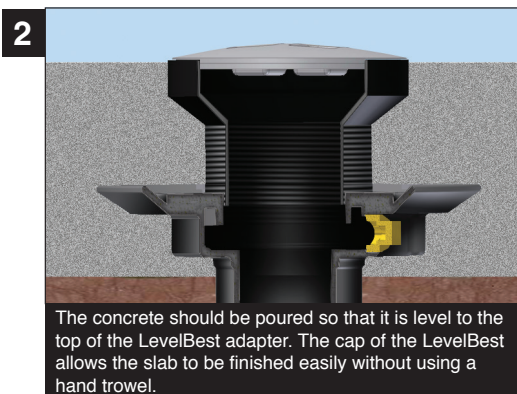
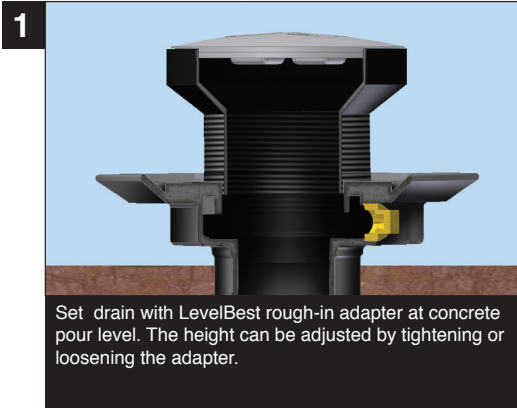
SPACER

INCLUDED FOR BRASS SPUDS

ADJUSTABLE

ALLOWS STRAINER ADJUSTMENT TO FLOOR LEVEL AFTER THE CONCRETE IS POURED

HOW IT WORKS



LEVELBEST ADJUSTABLE DRAINS: Complete Drainage & Cleanout System

- Allows adjustment to floor level after concrete is poured!
- Adapter compatible with PVC, ABS or Cast Iron drains and cleanouts
- Industry standard IPS threads compatible with most adapters and drain bodies
- Compatible with most plastic and brass spuds used in the industry
- Includes a spacer ring that can be used with brass spuds
- Can be used with tile rings
- Designed and assembled in the U.S.A. from domestic & foreign parts



LevelBest Adapter System		
Part No.	Adapter Size	List Price
D50448	3-1/2" x 3" x 6"	\$16.46
D50449	4" x 3-1/2" x 6"	\$16.46
D50450	4" x 3-1/2" x 5"	\$16.46
D50451	3-1/2" x 3" x 5"	\$16.46

PVC Pipe Fit Drain System

- Primer tapped with 1/2" IPS plug

Part No.	Size	Spud	Strainer	List Price
D50460	3" x 4"	3" Plastic	5" NB	\$48.20
D50461	3" x 4"	3" Metal	5" NB	\$77.67
D50492	3" x 4"	3-1/2" Metal	5" NB	\$98.12
D50473	3" x 4"	3" Plastic	6" NB	\$66.96
D50486	3" x 4"	3-1/2" Plastic	5" NB	\$59.76
D50469	3" x 4"	3" Plastic	6 1/8" NB Sq.	\$68.85
D50472	4"	3-1/2" Plastic	6" NB	\$68.21
D50470	4"	3-1/2" Plastic	5" NB	\$52.71
D50471	4"	3-1/2" Metal	5" NB	\$90.55
D50465	4"	3" Metal	5" NB	\$79.09
D50464	4"	3" Plastic	5" NB	\$49.63
D50474	4"	3" Plastic	6" NB	\$66.96

PVC Pipe Fit Cleanout System

Part No.	Size	Spud	Cover	List Price
C59242	3" x 4"	3" Plastic	5" NB	\$51.18
C59252	3" x 4"	3-1/2" Plastic	5" NB	\$64.28
D50481	3" x 4"	3" Plastic	6" NB	\$70.62
C59244	4"	3" Plastic	5" NB	\$51.18
C59245	4"	3" Metal	5" NB	\$81.02
C59250	4"	3-1/2" Plastic	5" NB	\$55.72
C59251	4"	3-1/2" Metal	5" NB	\$88.57
D50482	4"	3" Plastic	6" NB	\$70.62
D50480	4"	3-1/2" Plastic	6" NB	\$71.85

PVC Hub Fit Drain System

Part No.	Size	Spud	Strainer	List Price
D50462	4"	3" Plastic	5" NB	\$45.31
D50463	4"	3" Metal	5" NB	\$74.77

PVC Hub Fit Cleanout System

Part No.	Size	Spud	Cover	List Price
C59240	4"	3" Plastic	5" NB	\$48.57
C59241	4"	3" Metal	5" NB	\$78.42

PVC Heavy Duty Drain System

- Completely adjustable; reversible clamping ring gains additional 1" height
- 8-1/2" Pan primer tapped with 1/2" plug
- Extra weep holes

Part No.	Size	Spud	Strainer	List Price
D49644	2" x 3"	3" Plastic	5" NB	\$63.91
D49645	2" x 3"	3" Metal	5" NB	\$93.37
D49650	2" x 3"	3-1/2" Plastic	5" NB	\$66.98
D49651	2" x 3"	3-1/2" Metal	5" NB	\$104.82
D49642	3" x 4"	3" Plastic	5" NB	\$63.91
D49643	3" x 4"	3" Metal	5" NB	\$93.37
D49648	3" x 4"	3-1/2" Plastic	5" NB	\$66.98
D49649	3" x 4"	3-1/2" Metal	5" NB	\$104.82
D50477	3"	3-1/2" Plastic	6" NB	\$86.47
D49640	4"	3" Plastic	5" NB	\$63.91
D49641	4"	3" Metal	5" NB	\$93.37
D49646	4"	3-1/2" Plastic	5" NB	\$66.98
D49647	4"	3-1/2" Metal	5" NB	\$104.82
D50479	4"	3-1/2" Plastic	6" NB	\$86.47

PVC Heavy Duty Slab Drain System

- 8-1/2" Pan for applications where no clamping ring is required
- Primer tapped with 1/2" plug
- Completely adjustable

Part No.	Size	Spud	Strainer	List Price
D49656	2" x 3"	3" Plastic	5" NB	\$59.85
D49657	2" x 3"	3" Metal	5" NB	\$89.32
D49662	2" x 3"	3-1/2" Plastic	5" NB	\$62.93
D49663	2" x 3"	3-1/2" Metal	5" NB	\$100.78
D49654	3" x 4"	3" Plastic	5" NB	\$59.85
D49655	3" x 4"	3" Metal	5" NB	\$89.32
D49660	3" x 4"	3-1/2" Plastic	5" NB	\$62.93
D49661	3" x 4"	3-1/2" Metal	5" NB	\$100.78
D49652	4"	3" Plastic	5" NB	\$59.85
D49653	4"	3" Metal	5" NB	\$89.32
D49658	4"	3-1/2" Plastic	5" NB	\$62.93
D49659	4"	3-1/2" Metal	5" NB	\$100.78

No Hub Cast Iron Drain System

Part No.	Size	Spud	Strainer	List Price
D50478	2"	3" Metal	6" NB	\$117.95
D50475	3"	3" Plastic	6" NB	\$68.53
D50476	4"	3" Plastic	6" NB	\$76.52

No Hub Cast Iron Cleanout System

Part No.	Size	Spud	Cover	List Price
D50485	2"	3" Metal	5" NB	\$113.88
D50483	3"	3" Plastic	6" NB	\$72.17
D50484	4"	3" Plastic	6" NB	\$80.18

LevelBest Adapter with Spud & Strainer Only

Part No.	Size	Spud	Strainer	List Price
D50522	3-1/2"	3" Plastic	5" NB	\$39.09
D50523	3-1/2"	3" Metal	5" NB	\$62.46
D50520	4"	3-1/2" Plastic	5" NB	\$47.77
D50521	4"	3-1/2" Metal	5" NB	\$64.64
D50524	3-1/2"	3-1/2" Plastic	6" NB	\$56.22
D50526	4"	3-1/2" Plastic	6" NB	\$56.22

LevelBest Adapter with Cleanout Only

Part No.	Size	Spud	Cover	List Price
D50525	3-1/2"	3" Plastic	6" NB	\$59.86

LevelBest Adapter with PVC Pipe Fit Base

- Primer tapped with 1/2" IPS plug

Part No.	Adapter Size	Base	List Price
D50441	3-1/2" x 3" x 6"	3" x 4" with 3-1/2" Thd	\$27.57
D51449	4" x 3-1/2" x 6"	3" x 4" with 3-1/2" Thd	\$27.57
D50440	4" x 3-1/2" x 5"	3" x 4" w/ 4" Thd	\$28.44
D50442	4" x 3-1/2" x 6"	4" w/ 4" Thd	\$28.48

LevelBest Adapter with PVC Pipe Fit Base & Plug

- Primer tapped with 1/2" IPS plug

Part No.	Adapter Size	Base	List Price
D50444	3-1/2" x 3" x 6"	3" x 4" with 3-1/2" Thd and 3" Countersunk Plastic Plug	\$31.47



Contact your local Jones Stephens sales representative to order today!

