

INSTALLATION MANUAL

CEILING FAN WITH LIGHTS

Model No.: CFL-1164-01

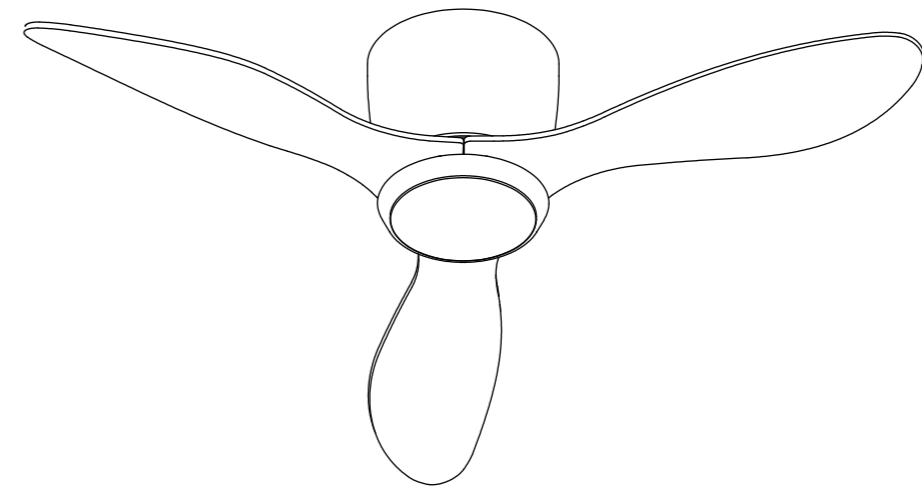


Scan for Installation Video



APP Control Applicable

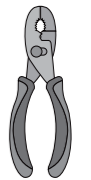
THANK YOU FOR CHOOSING AND USING OUR PRODUCT.



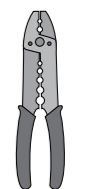
TOOLS REQUIRED



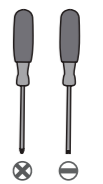
Ladder



Pliers

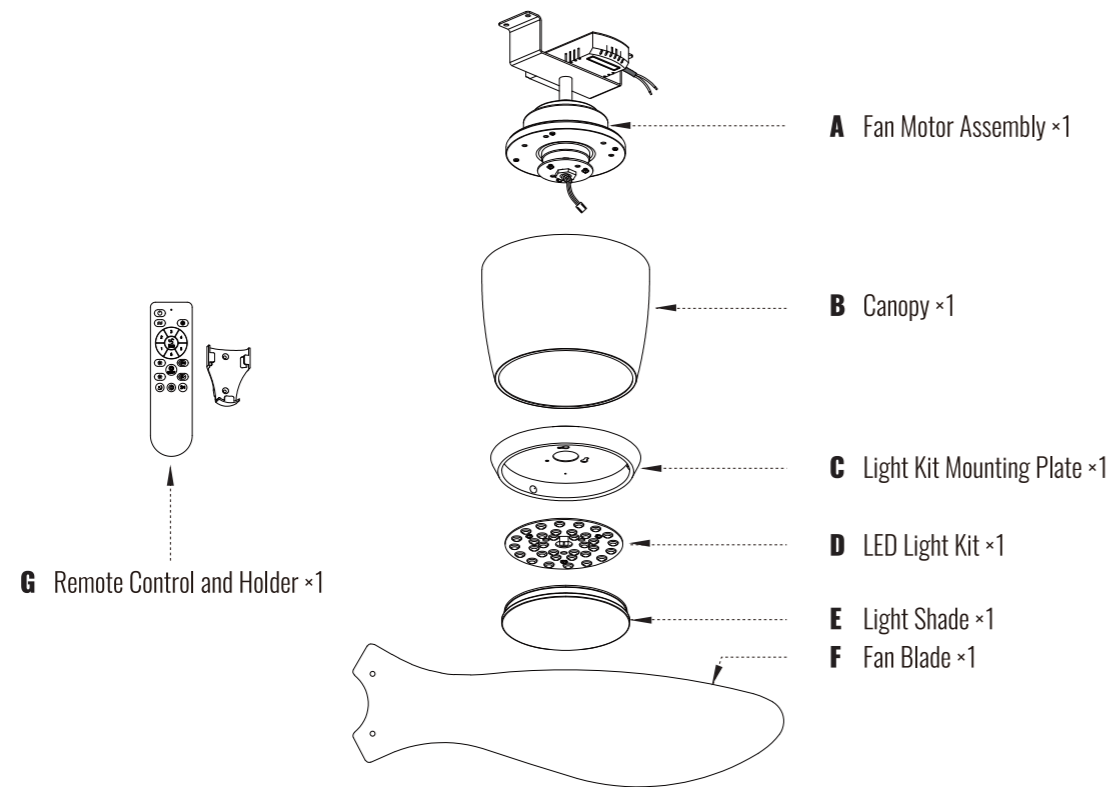


Wire
Strippers


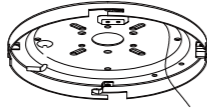

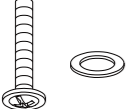




Screwdrivers

PACKING LIST



INSTALLATION KIT

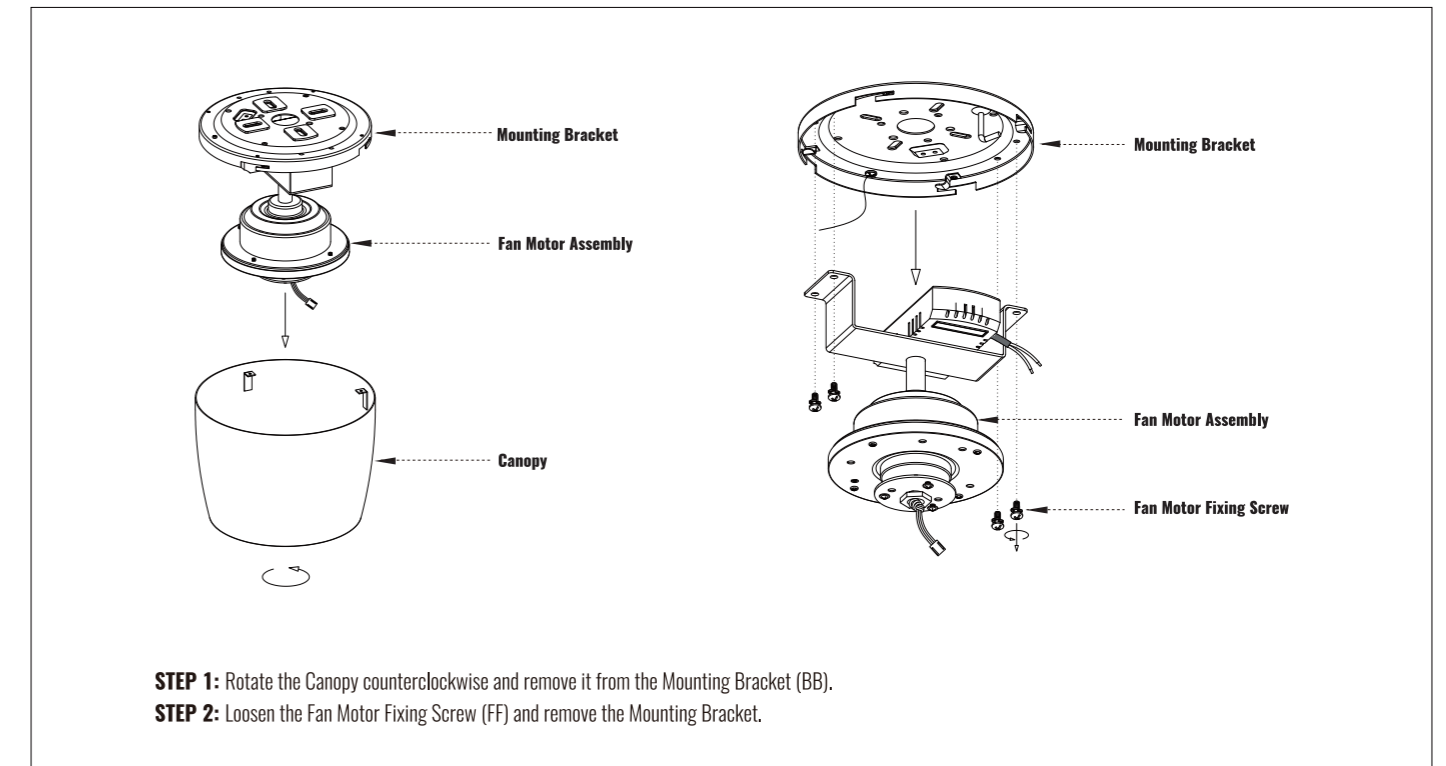
AA	3×	BB	1×	CC	1×
					
Wire Nut		Mounting Bracket		Glove	
DD	2×	EE	6×	FF	4×
					
Outlet Box Screw with Washer		Fan Blade Screw		Fan Motor Fixing Screw	

NOTE:

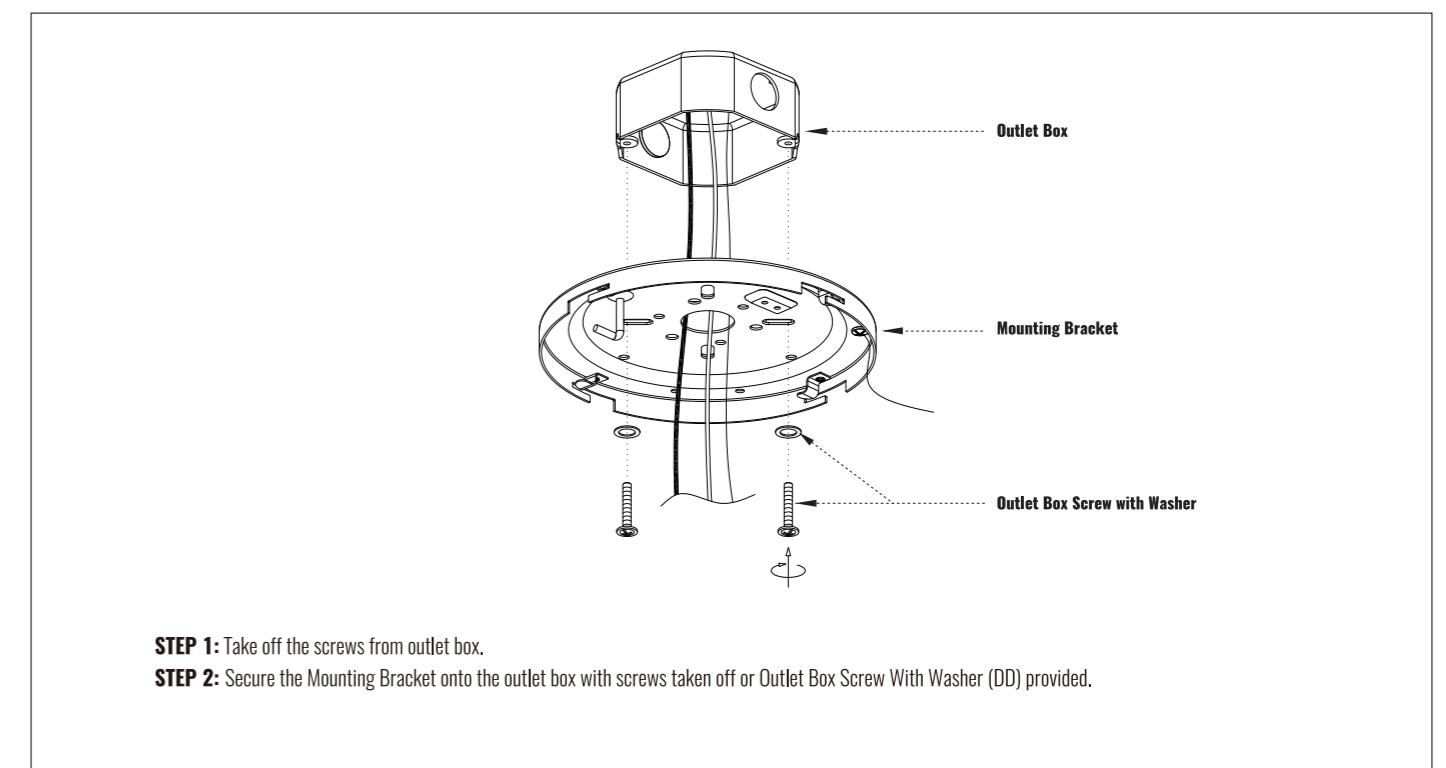
1. Some extra hardware may be included. The quantity listed above is the number required for installation.
2. Parts "BB, FF" have already been installed with Fan Motor Assembly. They need to be disassembled before installation.
3. Sometimes, the Fan Blade Screws may be assembled onto the Fan Motor Assembly already, you need to take them off first.

INSTALLATION

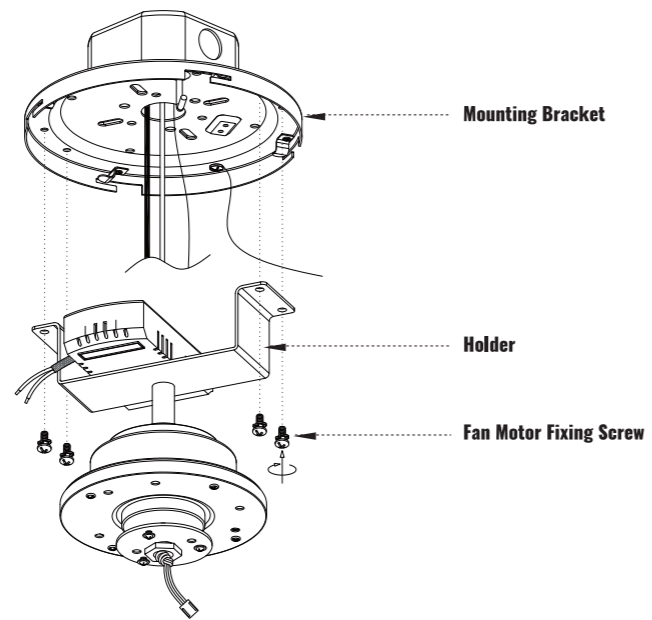
1. Remove the Mounting Bracket



2. Installing the Mounting Bracket

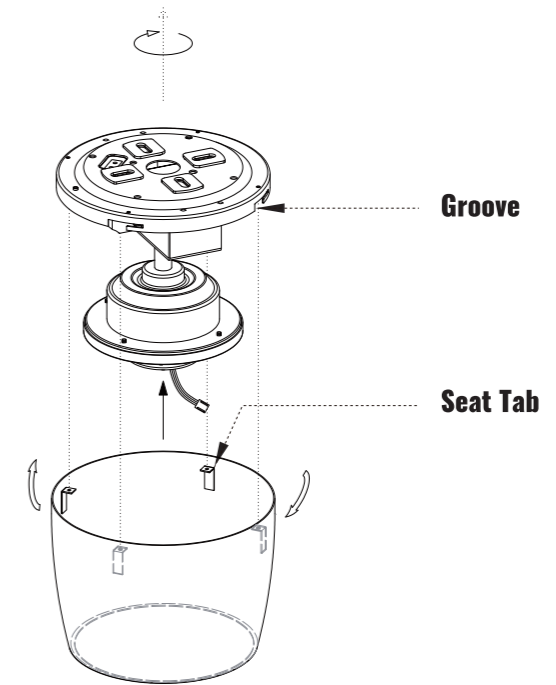


3. Installing the Fan Motor Assembly



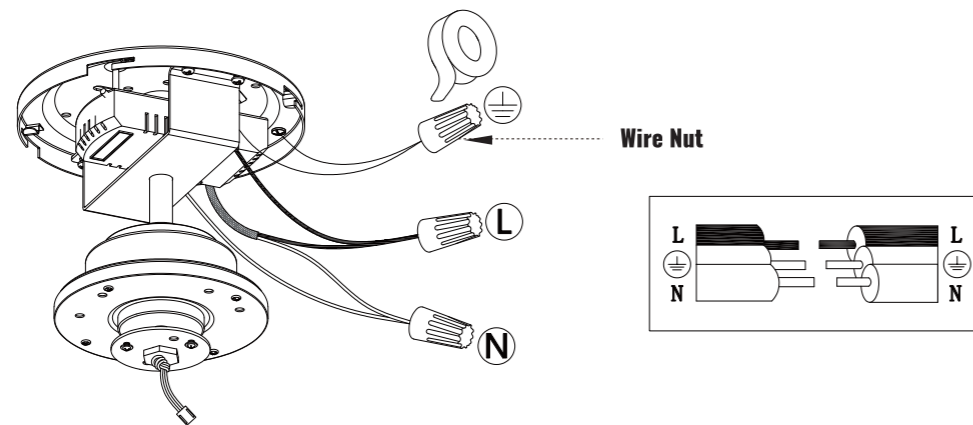
Thread the Fan Motor Fixing Screw through the hole on the Holder and fix it on the Mounting Bracket.

5. Attaching the Canopy



Rotate the Canopy until the seat tab in the Canopy is seated in the groove in the Mounting Bracket.

4. Wiring

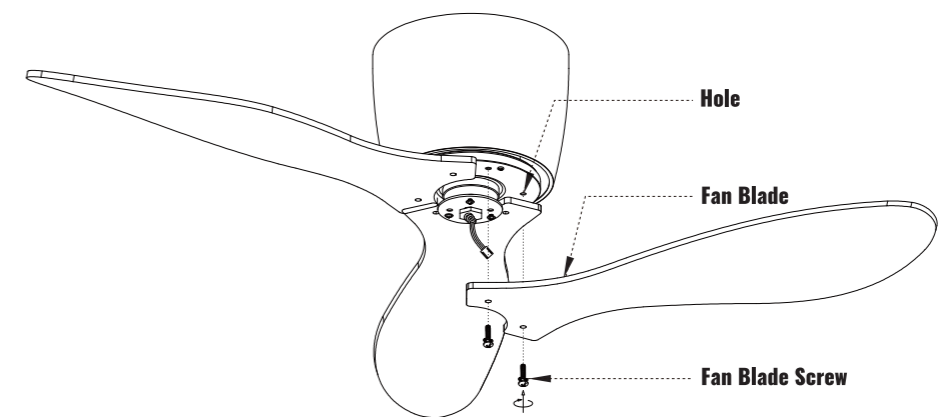


Connect the wires from the fixture to the house supply wires with wire nuts (AA) . ground wire (green, green/yellow, or bare copper) to ground wire, neutral wire (white or blue) to neutral wire, and hot wire (black or brown) to the hot wire.
Wrap the connection with electrical tape.

Note:

- ① This fan only needs one set of input wires (black, white, and ground wire). Both of the fan and lights will be controlled by the remote control.
- ② This fan can only be connected to an on/off switch if you have one, not a dimmer switch.

6. Assembling the Fan Blade

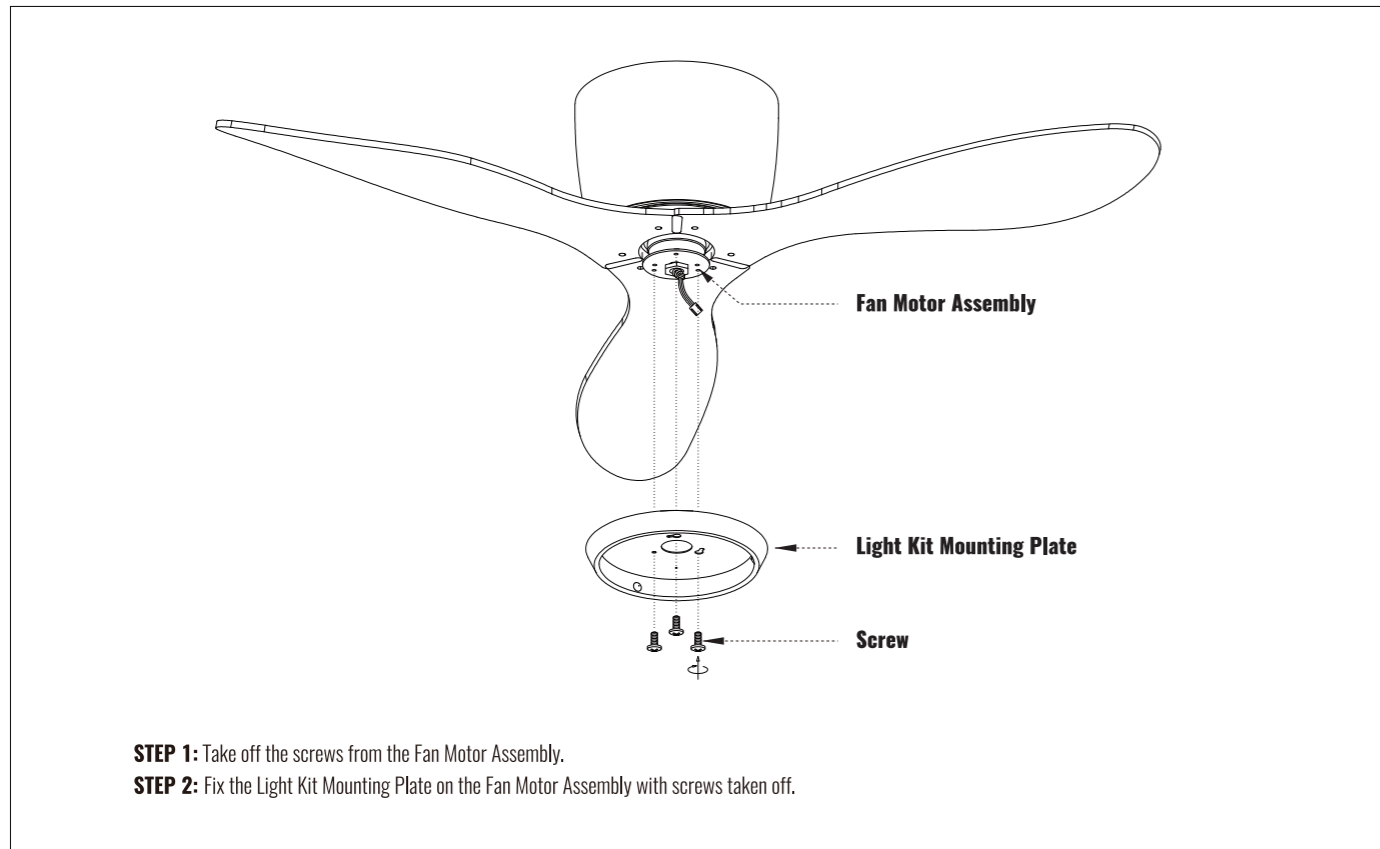


Align the Fan Blades with the Holes on the Fan Motor Assembly, fix them with Fan Blade Screws (EE).

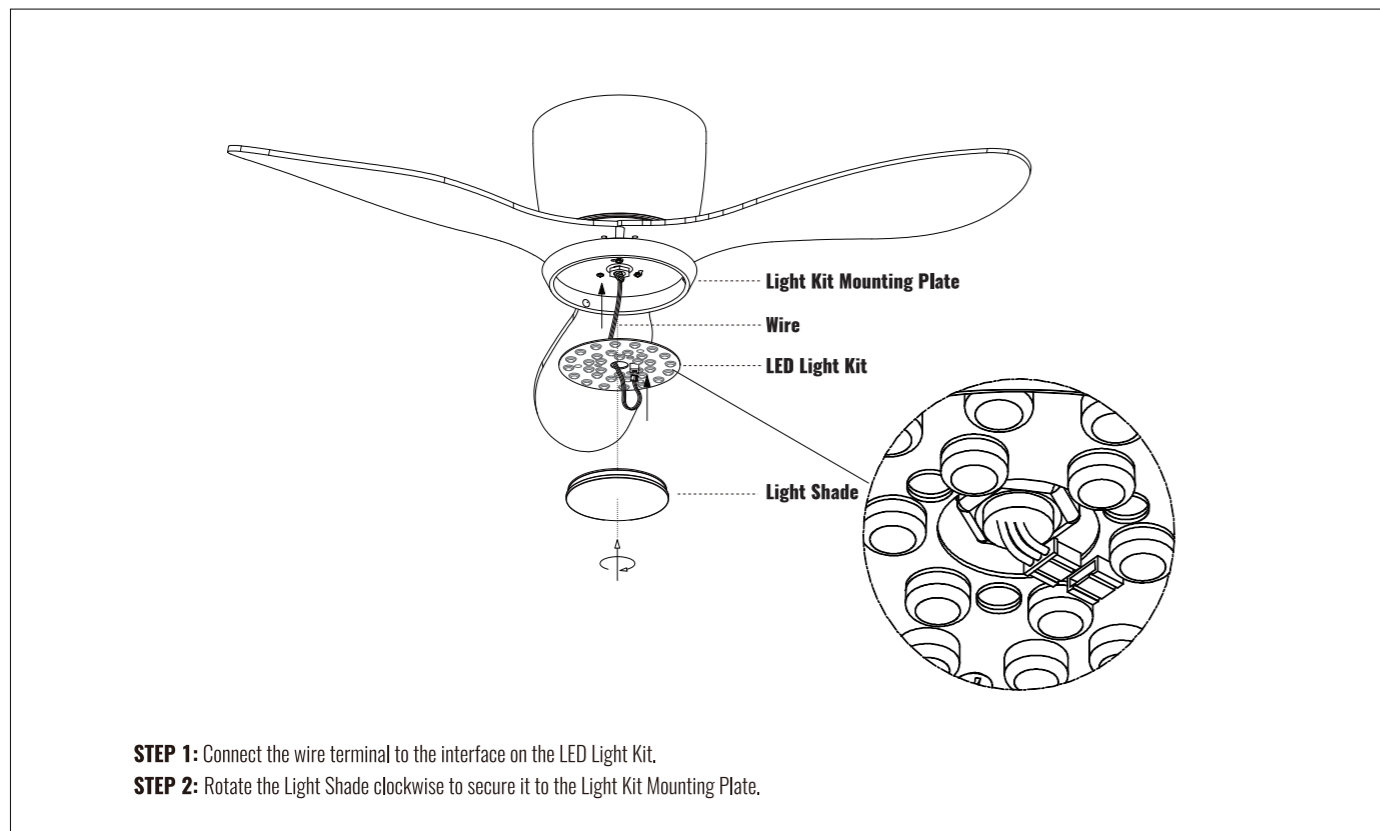
Note:

- ① Make sure to assemble the blades in sequence and fasten the screws with equal force.
- ② Sometimes, the Fan Blade Screws may be assembled onto the Fan Motor Assembly already, you need to take them off first.

7. Installing the Light Kit Mounting Plate

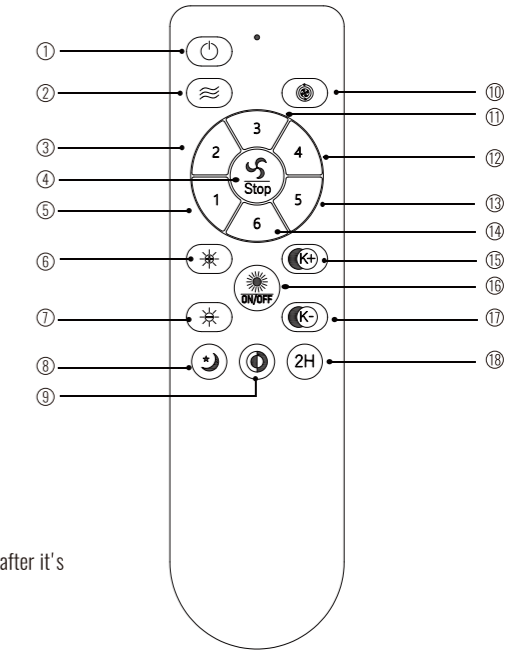


8. Installing the LED Light Kit and Light Shade



REMOTE CONTROL INSTRUCTIONS

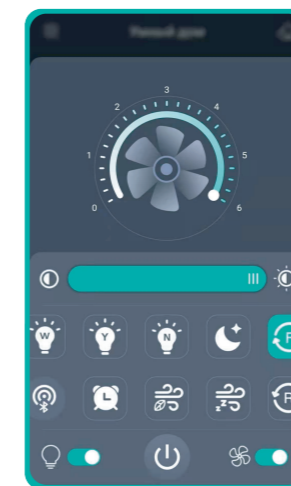
- ① : Turn off power.
- ② : Natural wind, fan speed will change automatically with this function.
- ③ ⑤ ⑪ ⑫ ⑬ ⑭ : Turn on the fan on 1/2/3/4/5/6 speed.
- ④ : Turn off the fan.
- ⑩ : Fan moves forwards or reversely.
- ⑥ ⑦ : Adjust the brightness of the light.
- ⑮ ⑰ : Adjust the light color temperature.
- ⑯ : Turn on / off the light.
- ⑧ : Night mode, dim the lights.
- ⑨ : Quick switch of the light color: warm white → cool white → daylight white.
- ⑱ : 2H for timing the fan.



REMOTE SIGNAL PAIRING:

If the remote control loses signal of the fan, press and hold the button ⑯ at the very beginning after it's turned on from wall switch. After the fan light flashes or beeps, it's done.

APP CONTROL INSTRUCTIONS



NOTE: Scan the QR code and install the APP in your phone, or search and install "FanLamp Pro" from Google Play, Apple App and other APP stores.

Make sure your phone is connected to the internet and bluetooth enabled.

Pair button. Click it within 5 seconds after the fan is powered on from wall switch. After the fan flashes or beeps, it has been successfully paired with the phone, it can be controlled through it.

Slide to change the fan speed.

Slide to change the brightness of the light.

Quick switch for "White" light color.

Quick switch for "Yellow" light color.

Quick switch for "Natural" light color.

Night mode: Dim the lights.

Fan moves forward.

Fan moves reversely.

Change the direction of the wind. (Not supported)

Timing the fan.

Natural wind: The fan speed will change automatically when you use this function.

Sleeping wind. (Not supported)

Turn on/off the light.

Turn on/off the fan.

Unpairing: Click the unpair button within 5 seconds after turning on the fan. Once the fan flashes or beeps, it has been successfully unpaired from your phone.