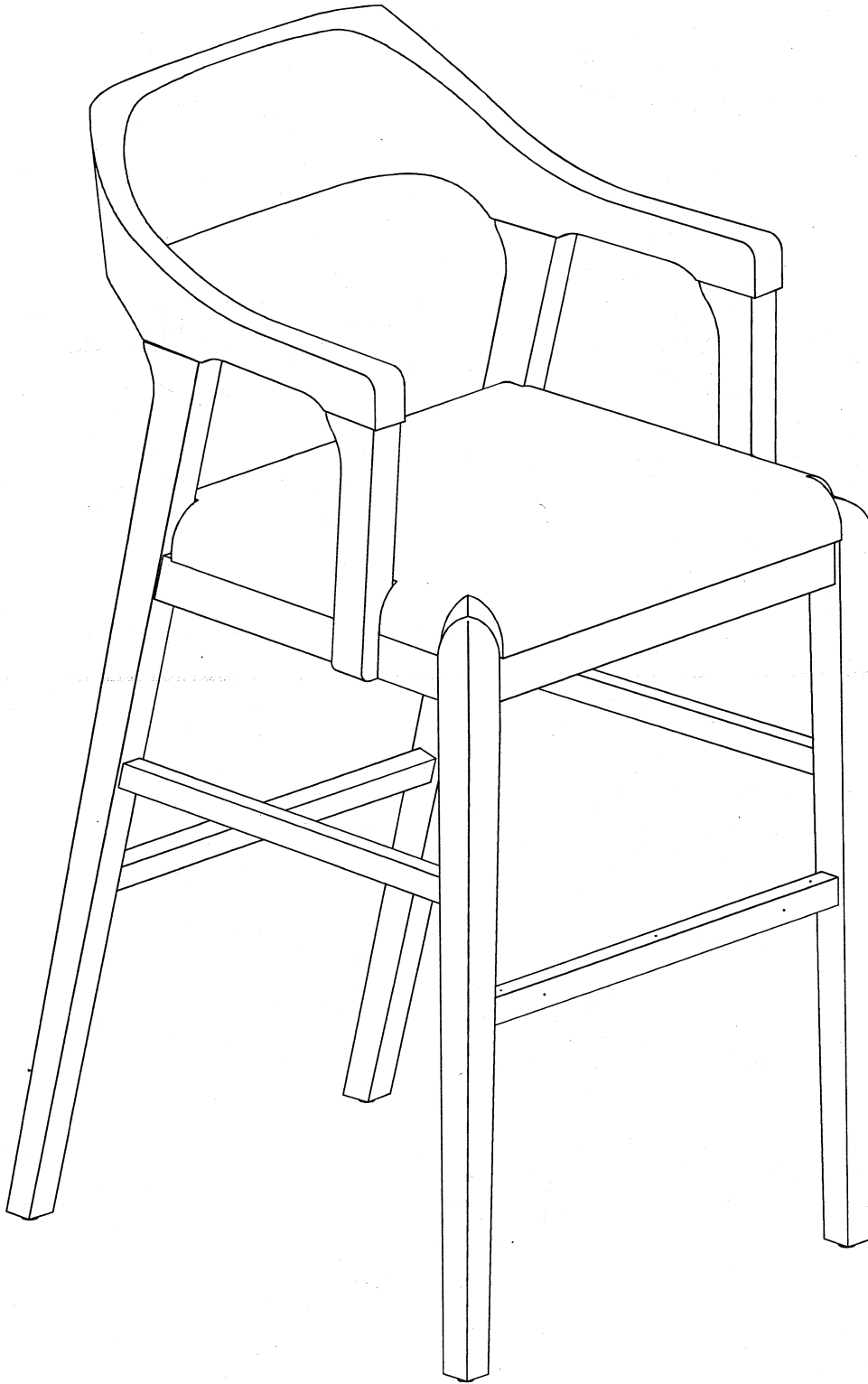




Boraam Industries

RASMUS STOOL
ASSEMBLY INSTRUCTIONS





PLEASE READ ME FIRST



- Have questions about assembling your item?




- Item or parts damaged?



- Missing a part?



- We're here to help!

 (847)949-6300 (M-F, 9am-5pm CST)



www.boraamindustries.com



customerservice@boraamindustries.com

Phillips
Screwdriver
(not provided)



A



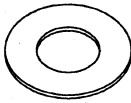
Wooden
Button
4 PCS

B



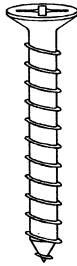
Spring
Washer
M8*10
10 PCS

C



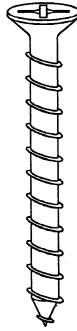
Flat
Washer
M8*16
10 PCS

D



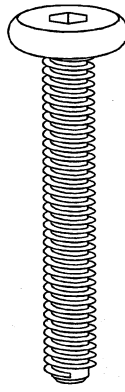
Screw
M4*30
4 PCS

E



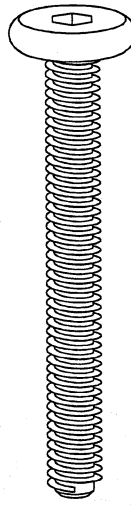
Screw
M4*40
8 PCS

F



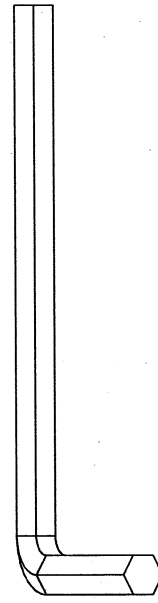
Bolt
M8*40
2 PCS

G



Bolt
M8*70
8 PCS

H



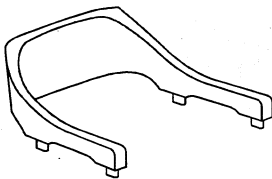
Allen
Wrench
M4*110
1 PC

I

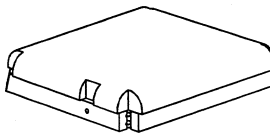


WHITE GLUE
1 PC

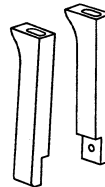
1



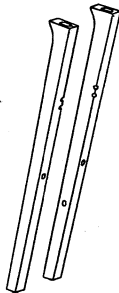
2



3



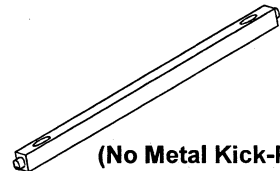
4



5

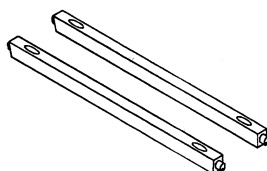


6

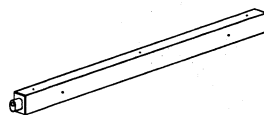


(No Metal Kick-Plate)

7







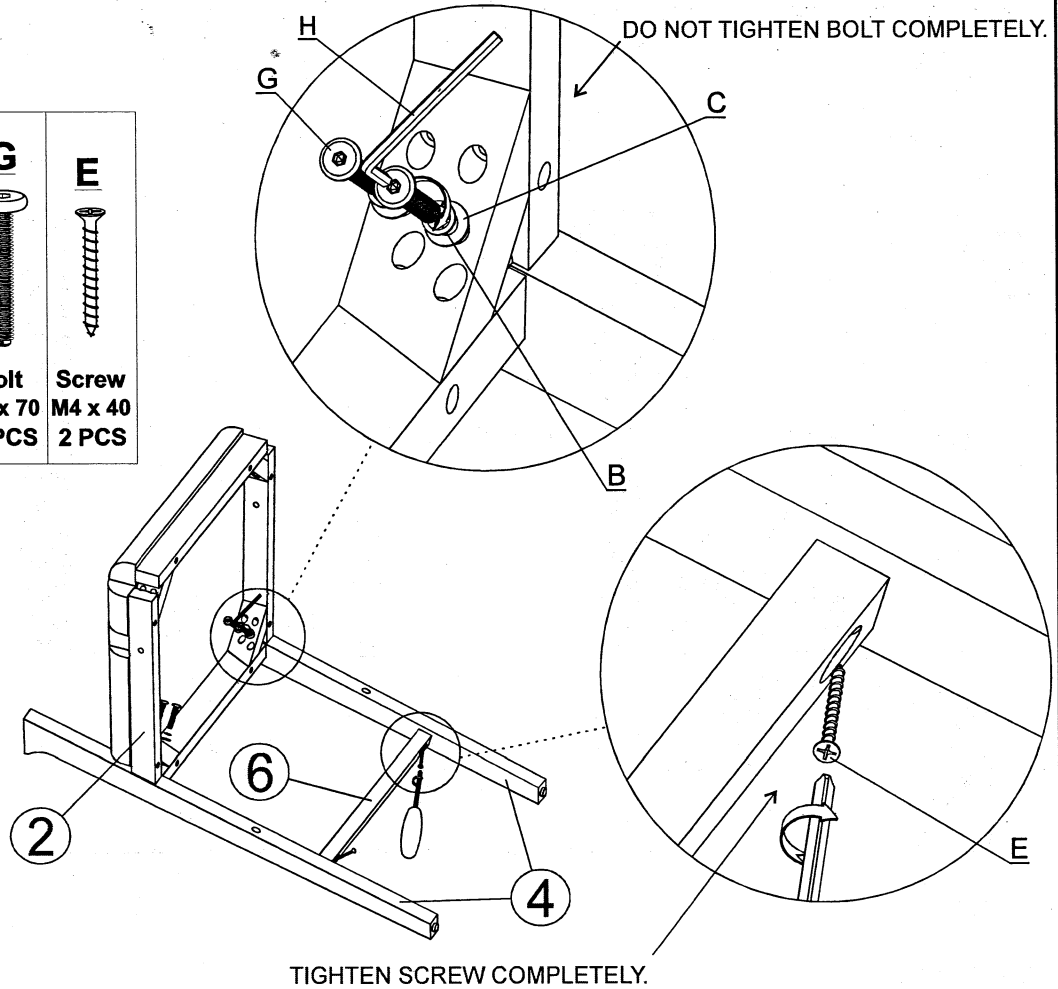
8







(With Metal Kick-Plate)

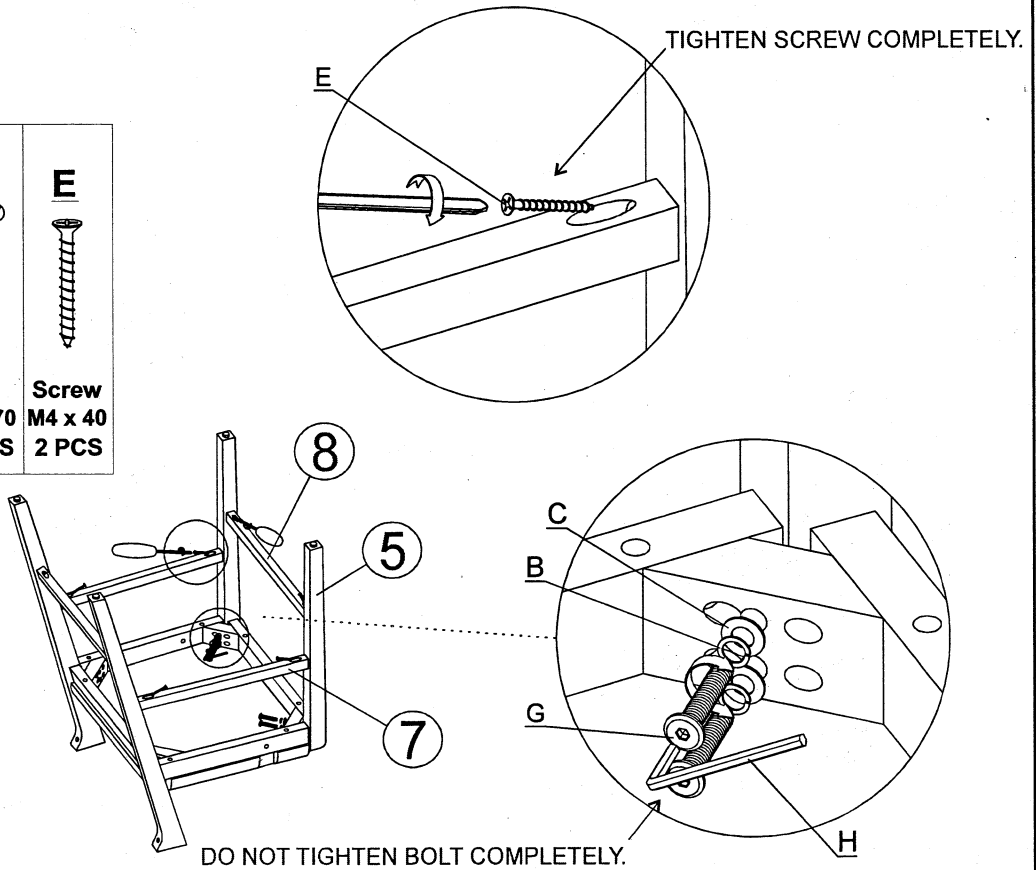
01

| | | | |
|---|---|---|---|
| B | C | G | E |
|  |  |  |  |
| 4 PCS | 4 PCS | Bolt M8 x 70 4 PCS | Screw M4 x 40 2 PCS |






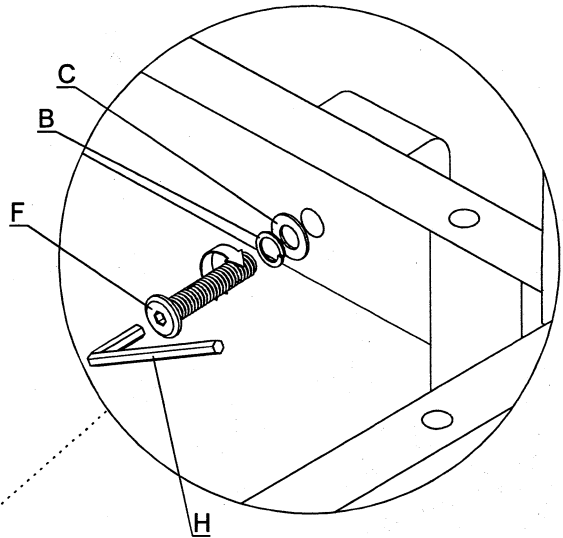
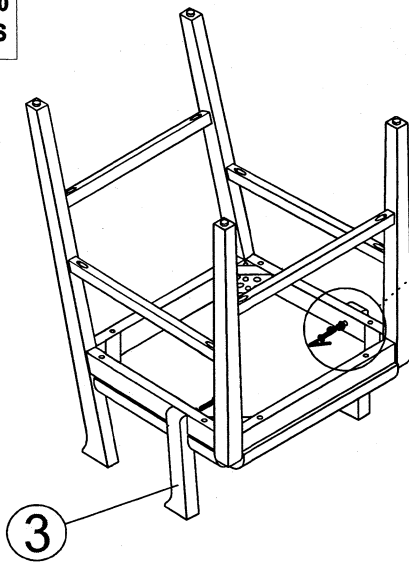
02

| | | | |
|---|---|---|---|
| B | C | G | E |
|  |  |  |  |
| 4 PCS | 4 PCS | Bolt M8 x 70 4 PCS | Screw M4 x 40 2 PCS |




03

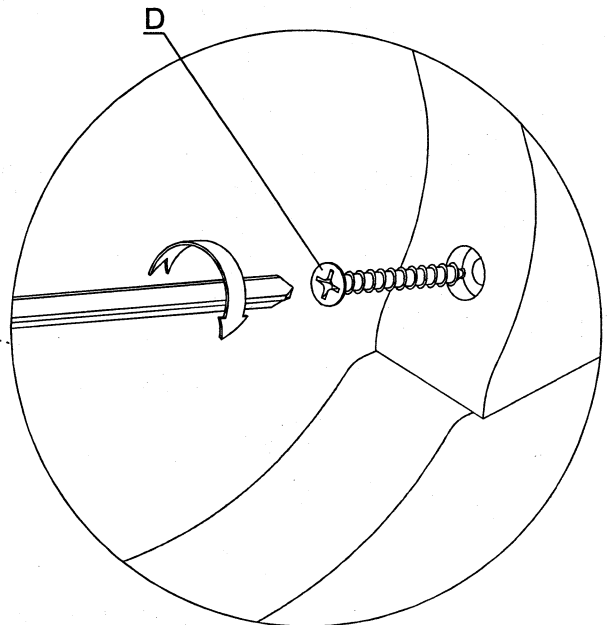
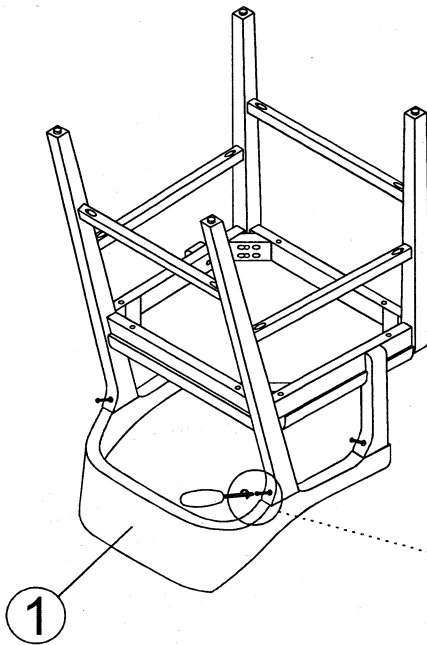
| | | |
|--|--|---|
| B  4 PCS | C  4 PCS | F  Bolt M8 x 40 2 PCS |
|--|--|---|



DO NOT TIGHTEN BOLT COMPLETELY.

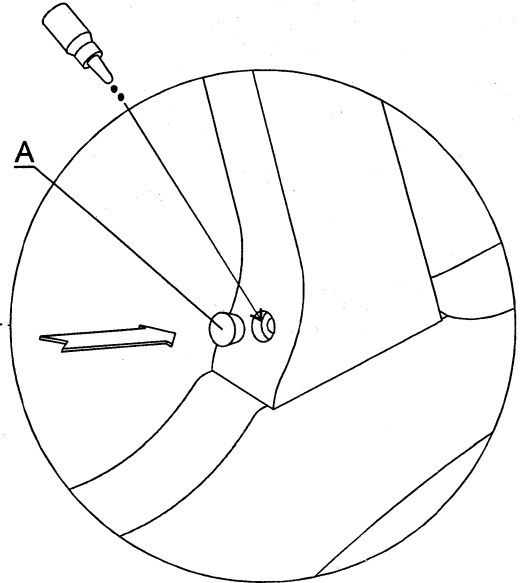
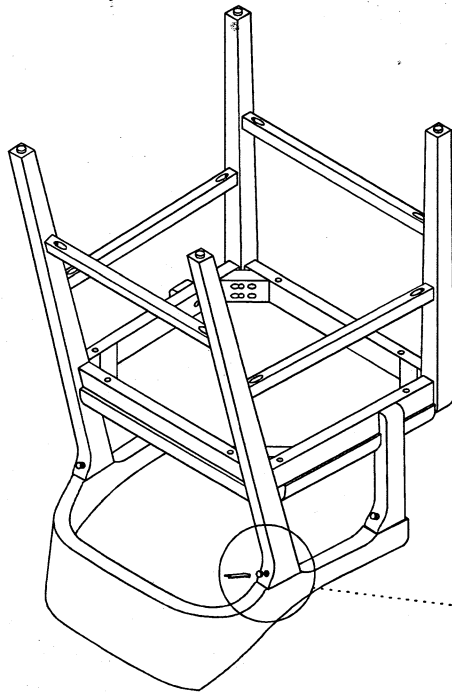
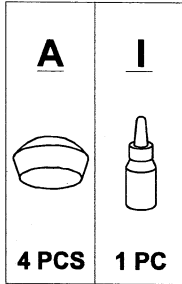
04

| |
|--|
| D  Screw M4 x 30 4 PCS |
|--|

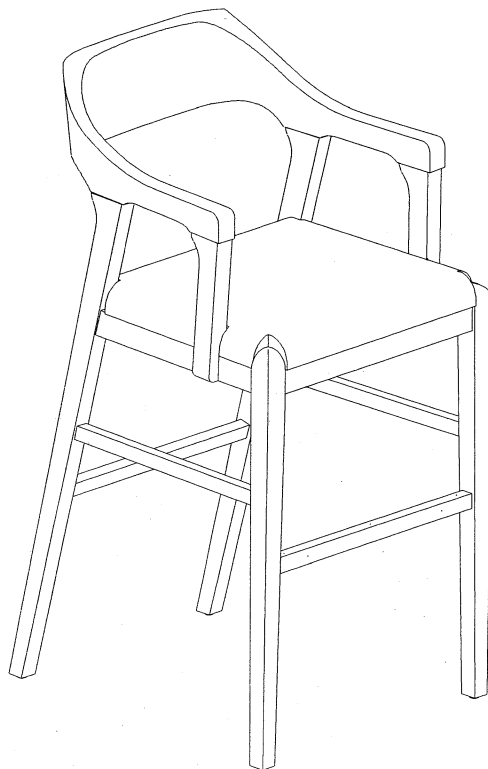


TIGHTEN BOLT COMPLETELY.

05



APPLY SMALL AMOUNT OF GLUE BETWEEN WOODEN BUTTON AND BOLT HOLE



BE SURE TO CHECK ALL BOLTS ARE SECURELY TIGHTENED PRIOR USING THIS STOOL.