



# Underscore® Rectangle

## 5' Whirlpool Bath

### K-1167-RH2



#### Features

- Integral flange.
- Right drain.
- Slotted overflow for deep soaking.
- Integral lumbar support.
- 60" (1524 mm) x 30" (762 mm) x 19" (483 mm)

#### Material

- Acrylic

#### Hydrotherapy

- Eight fully adjustable Flexjet™ hydrotherapy jets for water flow and direction.
- Built-in 1500 W heater.
- Lighted keypad control.

#### Installation

- Alcove

#### Required Accessories

K-7271 Brass Slotted Overflow Bath Drain  
K-9698 Flexjet® Whirlpool Trim Kit

or

K-7272 PVC Slotted Overflow Bath Drain  
K-9698 Flexjet® Whirlpool Trim Kit

#### Recommended Accessories

K-1491 Bath/Whirlpool Pillow  
K-1601 Bath/Whirlpool Footstop  
K-1703 Whirlpool Remote Control  
K-9497 2-1/2" Keypad Trim  
K-24916 Wireless Music Kit  
K-702200-G54 Frameless Sliding Bath Door  
K-702200-G73 Frameless Sliding Bath Door  
K-702200-L Frameless Sliding Bath Door  
K-702205-L Frameless Sliding Bath Door  
K-706000-D3 Frameless Sliding Bath Door  
K-706000-L Frameless Sliding Bath Door  
K-706003-L Frameless Sliding Bath Door  
K-706004-D3 Frameless Sliding Bath Door  
K-706004-L Frameless Sliding Bath Door  
K-706007-L Frameless Sliding Bath Door



ADA

#### Codes/Standards

ASME A112.19.7/CSA B45.10  
CSA B45.5/IAPMO Z124  
ASTM E162  
ASTM E662  
UL 1795  
CSA C22.2 No. 218.2  
Greenguard UL 2818 - Gold  
ADA  
ICC/ANSI A117.1

#### KOHLER® Plastic Baths and Receptors

#### Lifetime Limited Warranty

#### KOHLER® Hydrotherapy Components






#### Five-Year Limited Warranty

See website for detailed warranty information.

#### Available Color/Finishes

*Color tiles intended for reference only.*

#### Color Code Description

	0	White
	96	Biscuit
	47	Almond
	NY	Dune
	95	Ice™ Grey

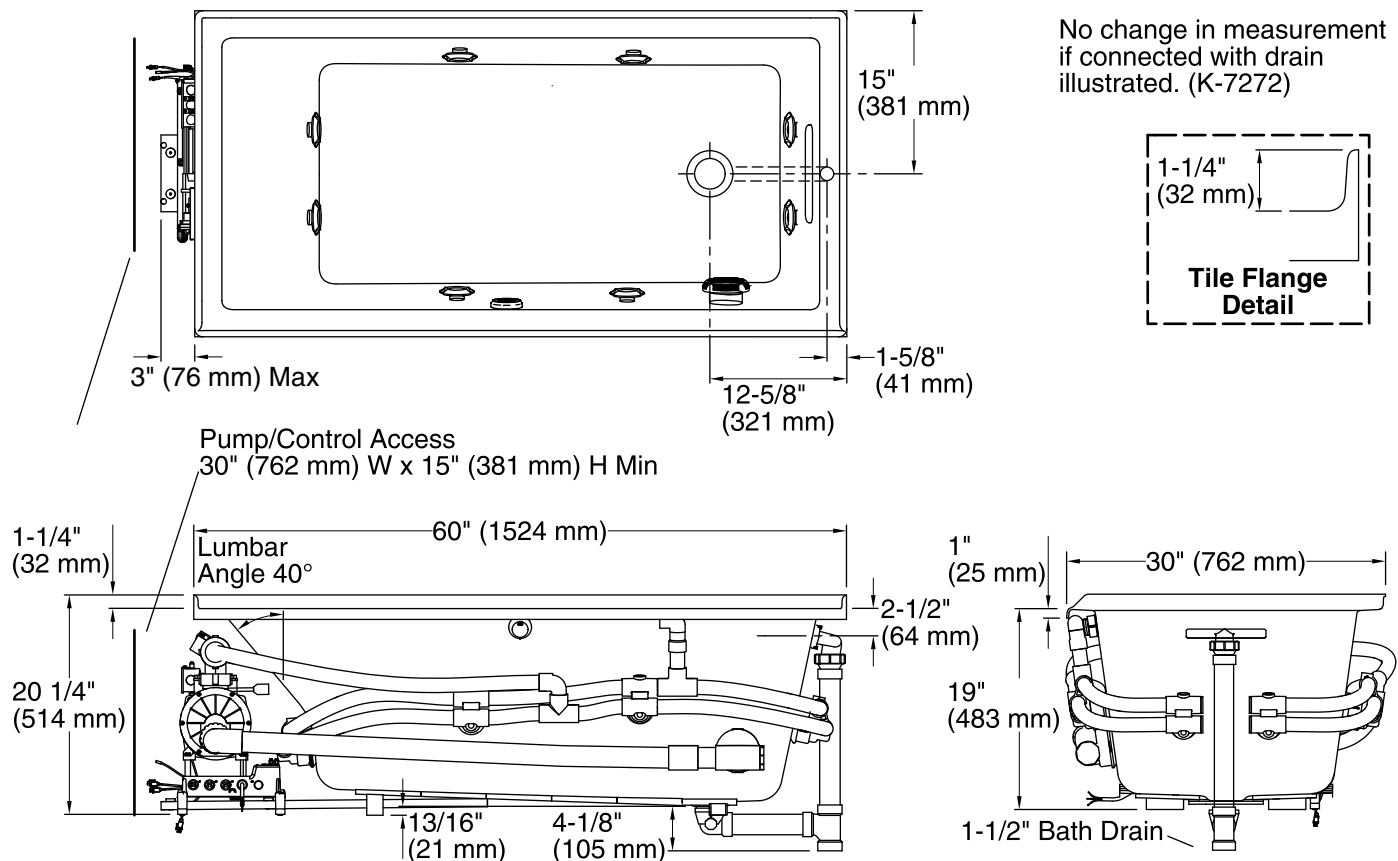
1-800-4KOHLER (1-800-456-4537)

Kohler Co. reserves the right to make revisions without notice to product specifications.

For the most current Specification Sheet, go to [www.kohler.com](http://www.kohler.com).

9-28-2018 08:42

THE BOLD LOOK  
OF **KOHLER**®



### Required Electrical Service

One dedicated circuit required, protected with Class A Ground-Fault Circuit-Interrupter (GFCI) or Residual Current Device (RCD).

Pump, Heater: 240 V, 20 A, 50/60 Hz

### Technical Information

All product dimensions are nominal.

Installation: 3-Wall Alcove  
 Drain location: Right  
 Basin area, bottom: 42-7/16" x 20" (1078 mm x 508 mm)  
 Basin area, top: 54-5/16" x 24-1/4" (1380 mm x 616 mm)  
 Weight: 125 lbs (56.7 kg)  
 Minimum floor load: 46 lbs/ft<sup>2</sup> (224.6 kg/m<sup>2</sup>)  
 Water depth: 15-1/8" (384 mm)  
 Water capacity: 59.8 gal (226.4 L)  
 Electrical component rating: Pump: 240 V, 11 A, 50/60 Hz  
 Heater: 240 V, 6.25 A, 50/60 Hz, 1500 W  
 Pump speed: Variable  
 Minimum flat for door: 2-1/2" (63 mm)

### Notes

Measure your actual product for rough-in details. Install this product according to the installation instructions. The hot water supply should be 70% of the capacity of the bath or greater. Installations will vary. ADA compliant when installed to the specific requirements of these regulations.