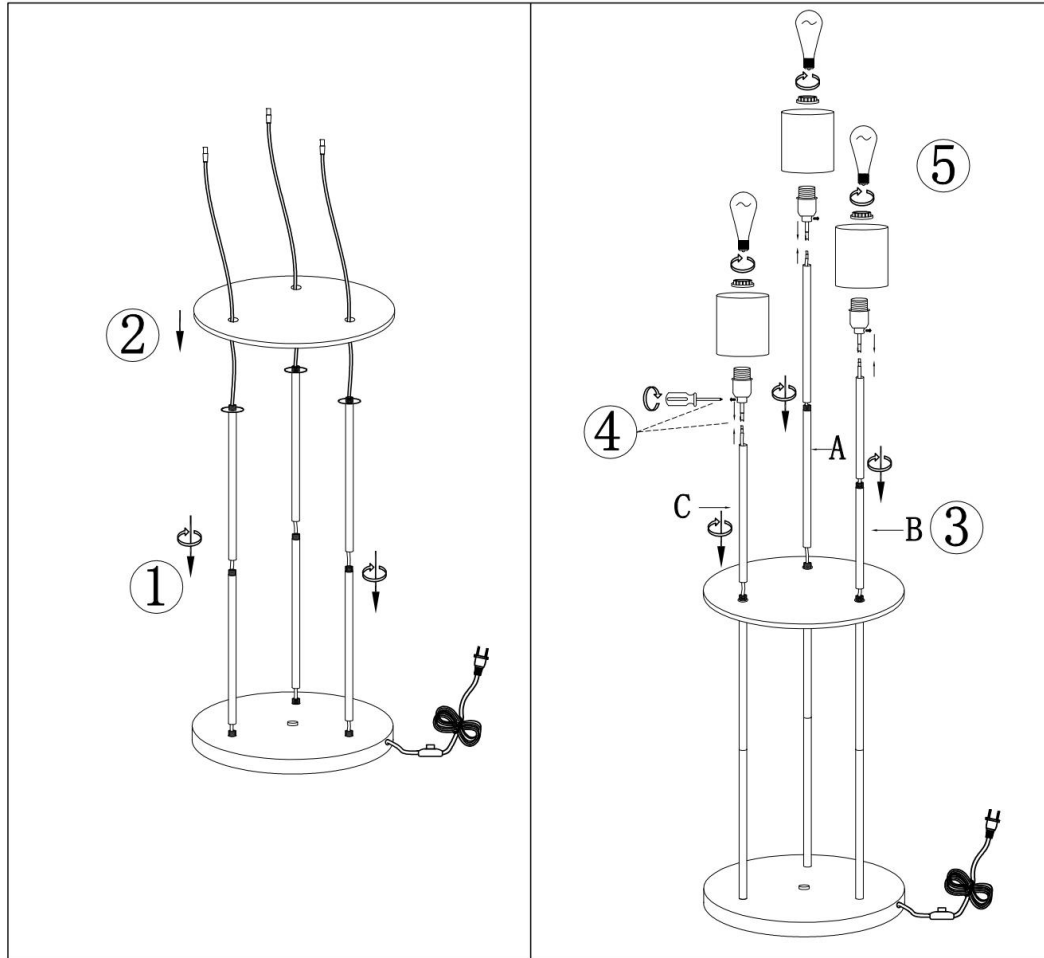


Instruction Manual

3-Lights Rattan Floor Lamp with Shelf



A LETTER TO MY PRECIOUS CUSTOMER

Dear Customer,

Thanks for choosing this lamp! To save your time and effort, please try to light up the lamp before installation to ensure the sockets are working correctly. If you have any issue when you receive it, please contact us directly. We will offer a solution without you even having to send the broken light back. Thank you for your support!

- Customer Support Team

INSTALLATION STEPS

1. Pass the wire on the base through the round tube, and then tighten the round tube to the metal base. (The top of the round tube here has a gasket)
2. First pass the wire through the round hole on the round wooden board, and then install the wooden board on the round tube.
3. Find the round tube marked with the same label as the wire, pass the wire through the round tube, and tighten it. (According to the longest wire to the shortest, the label order is A, B, and C)
4. Find the white connection socket on the round tube wire, and then connect it with the socket on the lamp holder. Then put the lamp holder on the round tube, and finally use a screwdriver to tighten the side screws to fix the lamp holder.
5. Fix the lampshade to the lamp holder with a black plastic ring, and finally screw in the bulb.

QUESTION & ANSWER

Q: After powering on, my lamp doesn't work. What should I do?

A: Please check whether the lamp is really powered on and the switch is on.

Please make sure the light bulb you are using is the good one.

Please check whether the copper pieces inside the bulb socket contacts well with your bulb.

None of these 3 steps? Just feel free to contact us for a replacement.

INFORMATION AND PACKAGE

Specification		Package List	
Voltage	110- 120V	Metal base	1
Bulb Socket	E26	Round tube with gasket	3
Wattage	Max 40W	B round tube	2
Bulb Type	Incandescent, Halogen, LED	C round tube	1
Certification	Bulb Socket(s) is UL Listed	Round wooden board	1
Warranty	2 Years	Lamp holder	3
		Rattan lampshade	3
		Installation	1