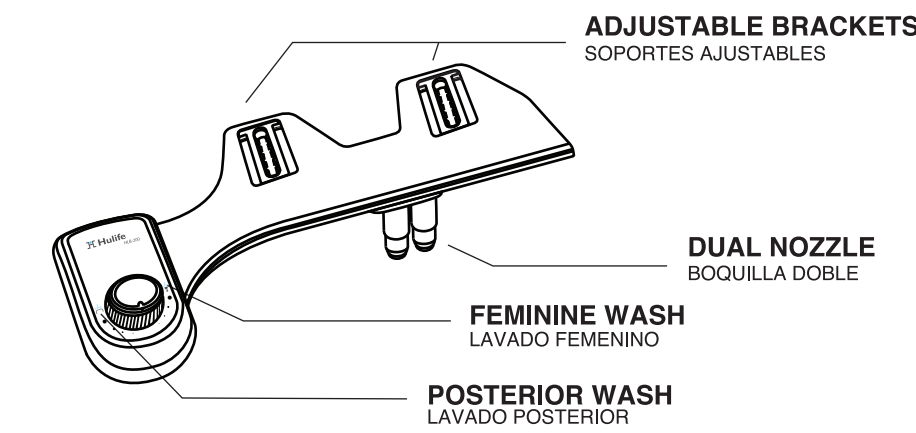


PARTS IDENTIFICATION
IDENTIFICACIÓN DE PIEZAS

INSTALLATION TOOLS NEEDED: WRENCH AND SCREWDRIVER
HERRAMIENTAS DE INSTALACIÓN NECESARIAS: LLAVE INGLESA, DESTORNILLADOR

HLB-200



PART INCLUDED
PARTES

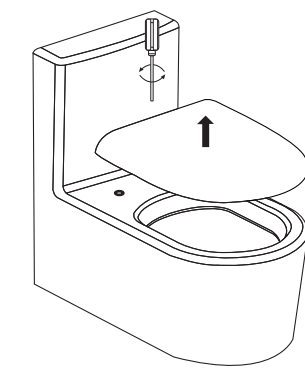
22.5" (in) METAL HOSE FOR BIDET
22.5" (PULG) METAL MANGUERA PARA BIDÉ

7/8" (in) METAL T-VALVE W/ PACKING
7/8" (PULG) METAL VÁLVULA EN T CON EMBALAJE

DUAL NOZZLE
BOQUILLA DOBLE

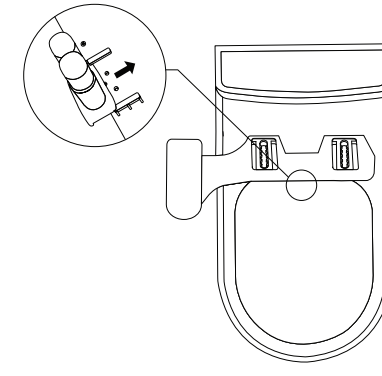
INSTALLATION
INSTALACIÓN

1.



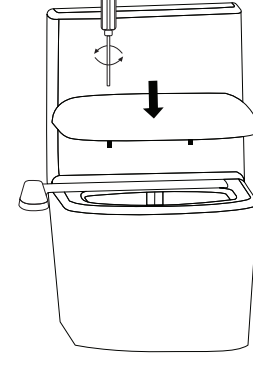
Remove existing toilet seat.
Retire el asiento del inodoro existente.

2.



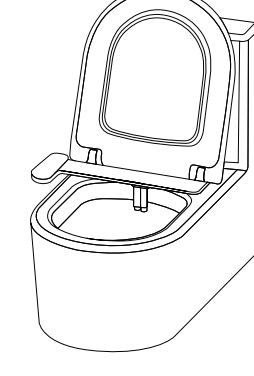
Align bidet attachment with toilet's holes. Slide the dual nozzle into the body.
Alinee el accesorio del bidé con agujeros del inodoro. Deslice el boquilla en el cuerpo.

3.



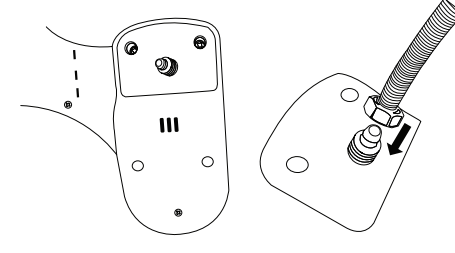
Install your toilet seat over the bidet attachment and tighten.
Instale su asiento de inodoro sobre el accesorio del bidé y apretar.

4.



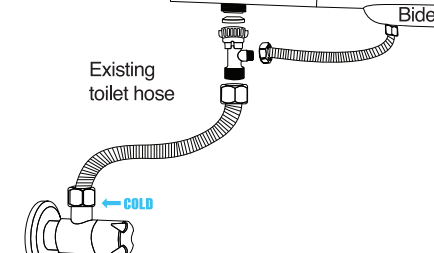
Lift the toilet seat and check if the bidet attachment is stable. Turn off the water supply valve and flush the toilet.
Levante el asiento de inodoro y verifica si el bidet el accesorio del bidé es estable. Cerrar el suministro de agua válvula y descargue el inodoro.

5.



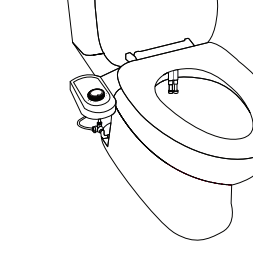
Connect the bidet hose to the valve on the bottom side of the controller.
Conecte la manguera del bidé a la válvula en la parte inferior del controlador.

6.



Connect the T-valve under the toilet tank and the two hoses. Tighten.
Conecte la válvula en T debajo del tanque del inodoro y las dos mangueras. Apriete.

7.



Turn on the water supply. Check to see if it is installed properly and works properly.
Conecte la válvula en T a la válvula de suministro de agua y las dos mangueras. Apriete.

LIMITED 1 YEAR WARRANTY

WARRANTY

Personal Hygiene Appliance Limited Warranty

- We warrant our products to be free from manufacturing defects under normal use and service for limited (1) year from the date you purchase. Only the ORIGINAL PURCHASER you may make a claim under this limited warranty.
- Our obligation to you under this warranty is limited to repair or replacement, at our option, of defective products or parts, provided that the products were properly installed and used in accordance with instructions. We reserve the right to make inspections in order to determine the cause of the defect. We will not charge for labor or parts in connection with warranty repairs or replacement. We are not responsible for the cost of removal, return and/or reinstallation of products.
- This limited warranty does not apply to:
 - a) Damage or loss from a fire, earthquake, flood, storm, etc
 - b) Damage or loss resulting from any unreasonable use, abuse, negligence, or improper maintenance.
 - c) Damage or loss from improper installation, removal, repair, or modification.
 - d) Damage or loss resulting from sediment or other matters contained in your water system.

■ This warranty gives you specific legal rights.

■ For warranty or service information, please contact your dealer where you bought this appliance or us.

■ Only the original purchaser may submit a claim under this limited warranty. To activate your warranty, complete this form.

■ This limited warranty is our only warranty covering your product. Repair or replacement as provided under this warranty shall be the exclusive remedy available to you. We shall not be responsible for loss of the product or for other incidental, or consequential damage or expenses you may incur or for labor or other costs due to installation or removal, or cost or repairs by others, or for any other expense not specifically stated above. Except to the extent prohibited by applicable law, any implied warranties, including that of merchantability or fitness for use, are expressly limited to the duration of this warranty.

※ Warning! We are not responsible or liable for any failure of, or damage to, this plumbing product or product component caused by in-tank bowl cleaners containing chlorine (calcium hypochlorite).

※ Note : The use of high concentration of chlorine related products can seriously damage the fittings. This damage can cause leakage and serious property damage.

For more information, please contact your dealer or us.

Purchase Date _____ Purchased From _____
 Full Name _____ Amount Paid _____ Serial# _____
 Address _____ City _____ State _____ Country _____ Zip _____
 Phone _____ Fax _____ E-mail _____

FEEL THE CLEANLINESS

Customer Service Center

Hulife.Bidet

ADDRESS
19 Spielman Rd.,
Fairfield, NJ 07004

TOLL-FREE NUMBER
1-888-702-0009
Monday to Friday
9:00am to 5:00pm EST

EMAIL
cs@hulife-home.com
www.hulife-home.com

Mungsube Enterprise Inc.

Hulife®

NON-ELECTRIC BIDET ATTACHMENT

HLB-200
USER MANUAL

