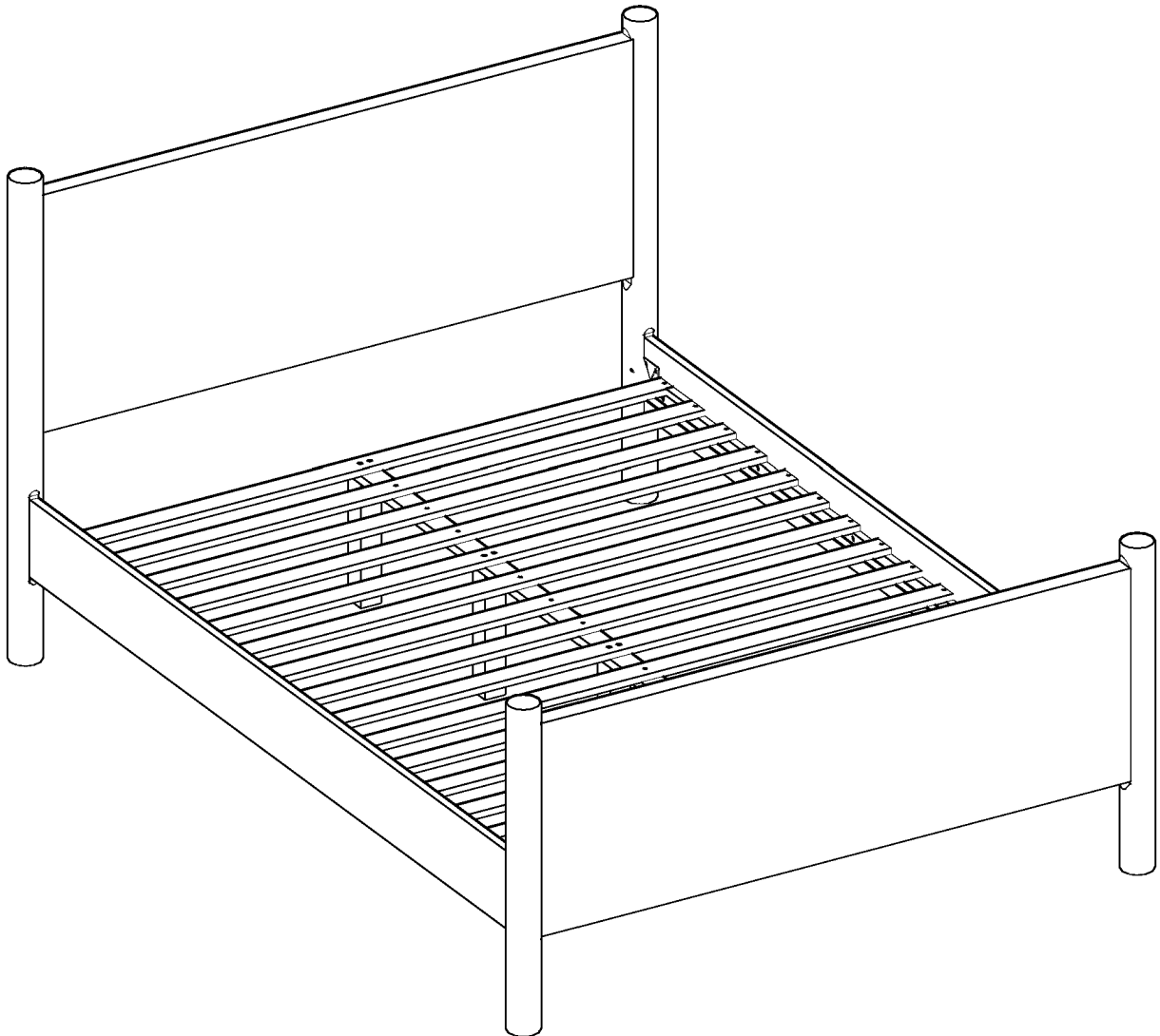


## ASSEMBLY INSTRUCTIONS

# MOD-7189/7190/7191

V0.05.05.24



### Questions? Contact us!

609.256.9000 • [cs@modway.com](mailto:cs@modway.com)  
[www.modway.com](http://www.modway.com)

\*modway

# Let's get started!

**\*modway**



Read through all of the instructions before starting



Care instructions are listed in the last step of this manual



Approx. 30 minutes assembly time



Make sure you have all parts and components before discarding any packing materials



2 people recommended for assembly

**Only use hand tools to assemble this item.** Do not use power tools. Do not tighten bolts or screws completely until all hardware is lined up and inserted into the holes.

Do not over-tighten screws and bolts to avoid stripping the hardware or cracking the item.

Assemble your item on a flat, carpeted area, with plenty of space to work. This will prevent damage and scratches to your floors or the item while you're assembling the product.

Keep all components and packaging out of reach of children or animals to avoid risk of choking or suffocation.

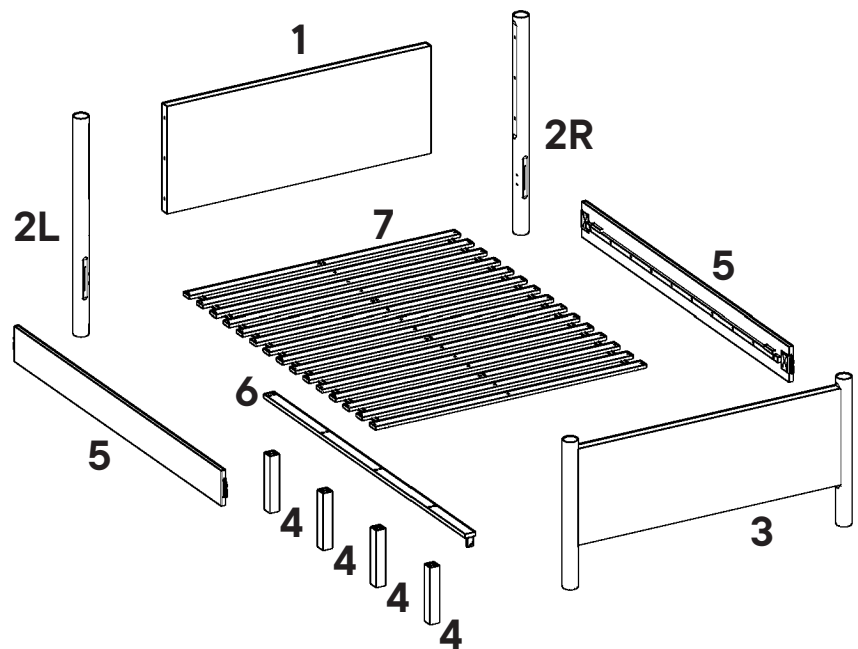
## Furniture components:

### Box 1

1	Headboard	x1
2	Headboard Leg -Left x1 (2L)-Right x1 (2R)	x2
3	Footboard	x1
4	Center Support Leg	x4

### Box 2

5	Side Rail	x2
6	Center Rail	x1
7	Slat	x15



Box 1: Headboard/Footboard/Center leg/Headboard Leg and Hardware Only  
Box 2: Side Rail/Center Rail/Slat Only











**Wait!**

**Missing parts or hardware? Need assistance?**



Contact us before returning your item. We're here to help!

609.256.9000 • [cs@modway.com](mailto:cs@modway.com)

## Provided hardware:

A		Allen Key M4	x1
B		JCBC Bolt M6 x 35mm	x6
C		JCBC Bolt M6 x 50mm	x8
D		Wood Screw M3.5 x 16mm	x20
E		Wood Screw M4 x 20mm	x1
F		Wood Screw M4 x 25mm	x41
G		Spring Washer M6	x6
H		Flat Washer M6	x6
I		SR Metal (Left)	x2
J		SR Metal (Right)	x2

## What you need:

  Phillips Head Screwdriver  
Phillips

**Wait!**

**Missing parts or hardware? Need assistance?**  
Contact us before returning your item. We're here to help!  
609.256.9000 • [cs@modway.com](mailto:cs@modway.com)

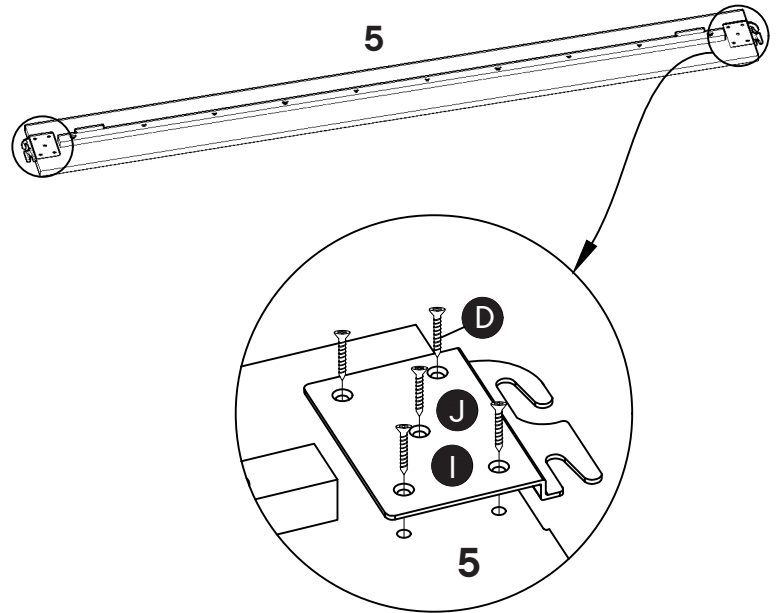
# Step 1

## HARDWARE

- D** Wood Screw M3.5 x 16mm x20
- I** SR Metal (Left) x2
- J** SR Metal (Right) x2

## COMPONENTS

- 5** Side Rail x2



# Step 2

## HARDWARE

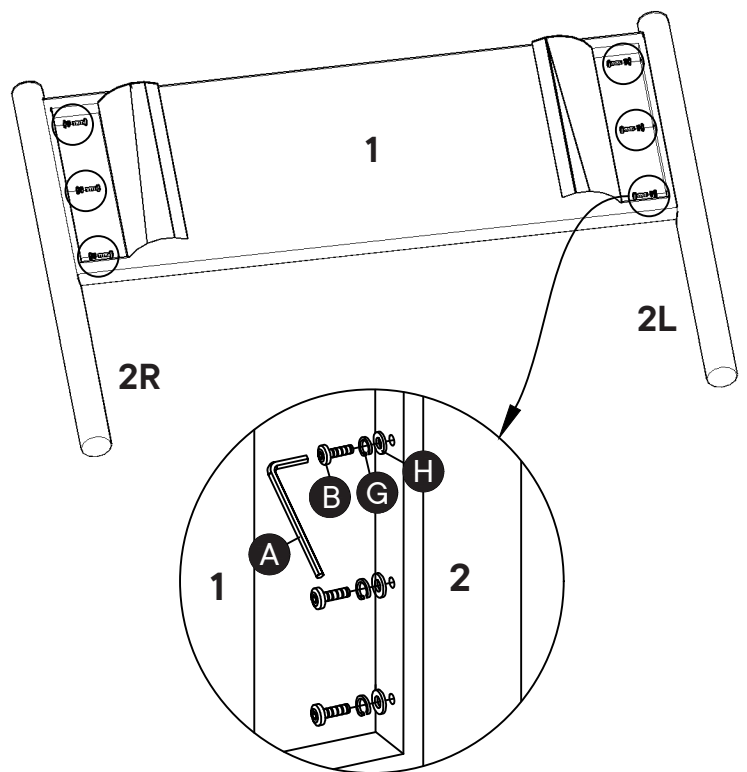
- B** JCBC M6 x 35mm x6
- G** Spring Washer M6 x6
- H** Flat Washer M6 x6

## COMPONENTS

- 1** Headboard x1
- 2** Headboard Leg (L+R) x2

## TOOLS

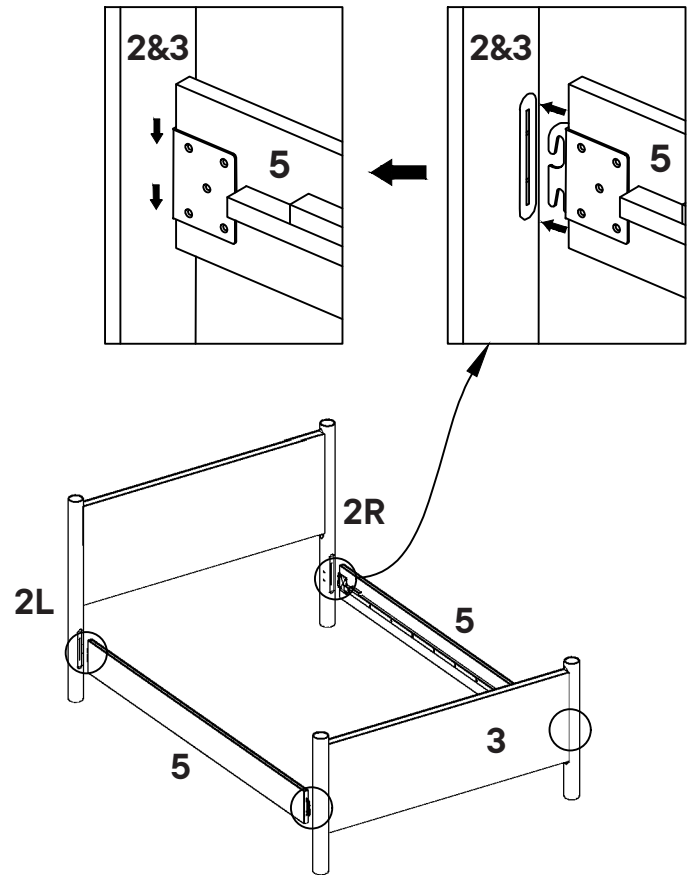
- A** Allen Key M4 x1



# Step 3

## COMPONENTS

- ② Headboard Leg (L+R) x2
- ③ Footboard x1
- ⑤ Side Rail x2



# Step 4

## HARDWARE

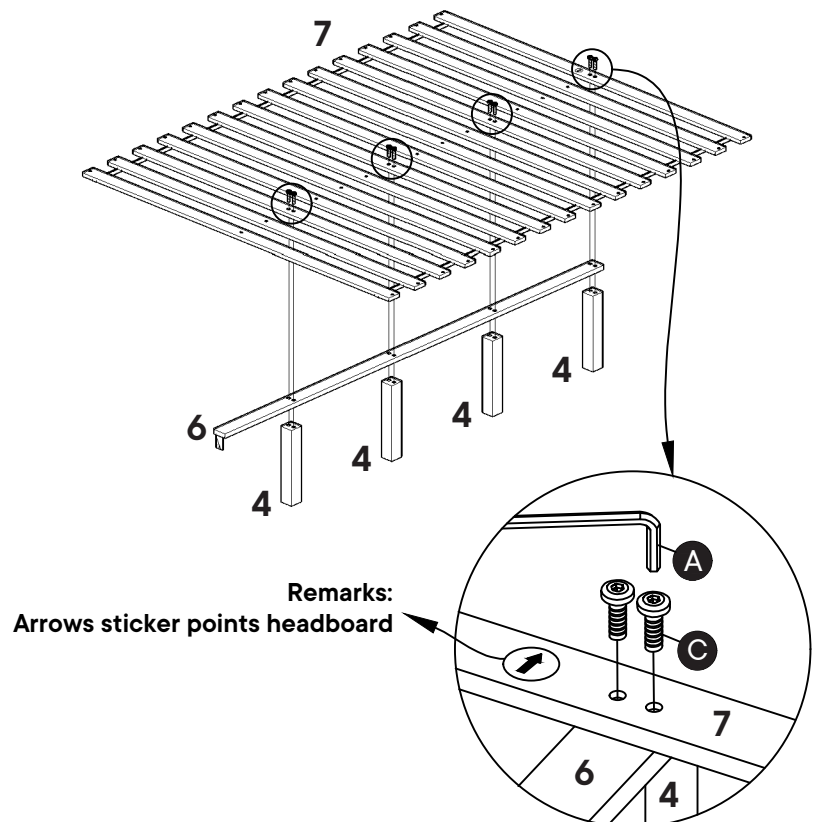
- Ⓒ JCBC M6 x 50mm x8

## COMPONENTS

- ④ Center Support Leg x4
- ⑥ Center Rail x1
- ⑦ Slat x15

## TOOLS

- Ⓐ Allen Key M4 x1



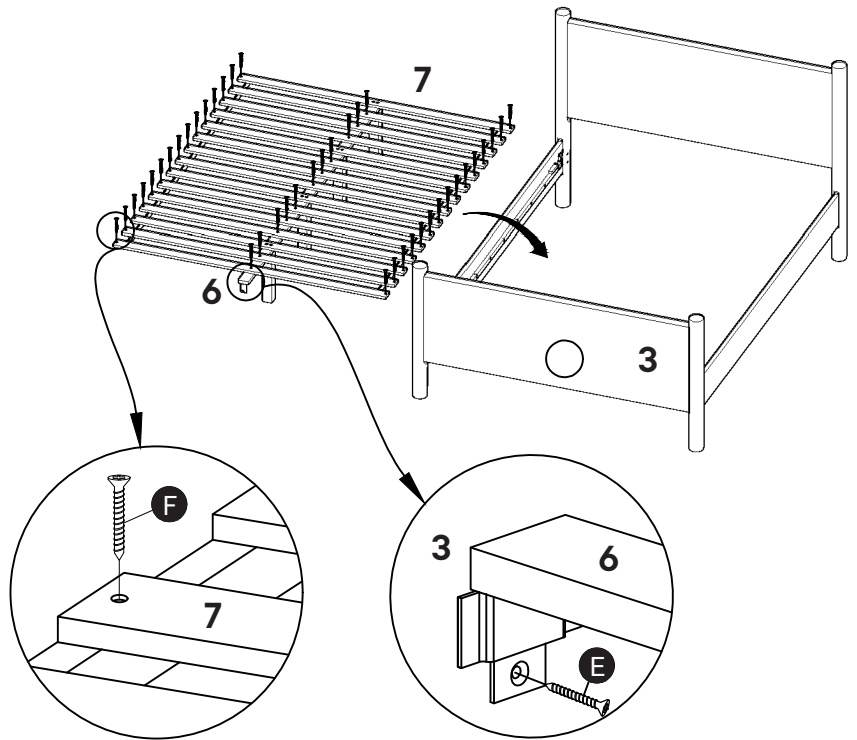
# Step 5

## HARDWARE

- E** Wood Screw M4 x 20mm x1
- F** Wood Screw M4 x 25mm x41

## COMPONENTS

- 6** Center Rail x1
- 7** Slat x15



# Great job!

Your new bed is complete.

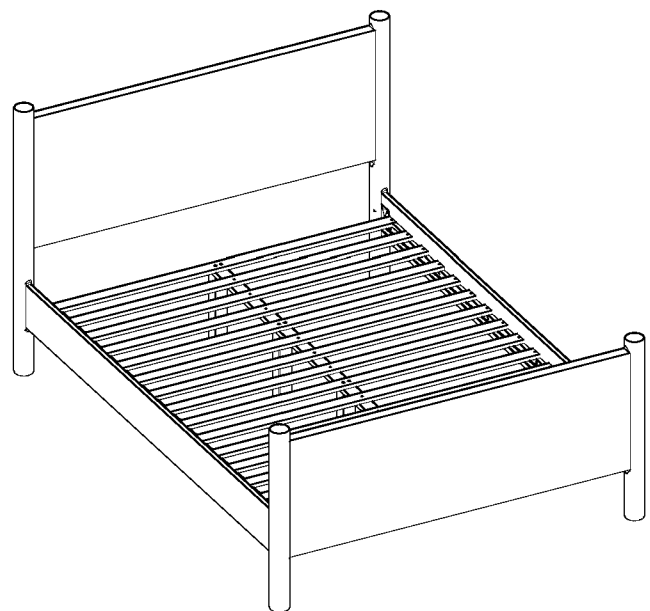
## ♥ CARING FOR YOUR ITEM

Indoor use only.

Not contract grade.

Clean using a non-abrasive cloth and a mild cleaner.

Never use harsh chemicals, as they could damage the finish or integrity of the item.



CONNECT WITH US!   

Tag us @modway\_furniture and #modway for a chance to be featured.