

Hardware Installation Manual

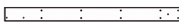
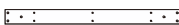
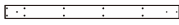
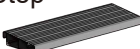






Any question please contact us
yoursupport@163.com












Notice Please retain these instructions for future reference

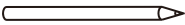


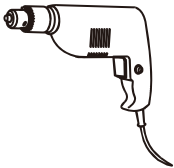

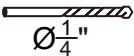
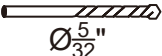
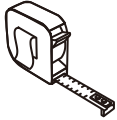
- Firmly secure all bolts, screws and knobs before use.
- Reconfirm that all bolts, screws and knobs are secure every 90 days.
- Fasten screws loosely during initial assembly. Do not firmly tighten the screws until the item is completely assembled.
- Do not use or store this item in the proximity of open flame or combustible chemicals.
- Be aware that some parts are heavy and have sharp edges.
- Do not use this item in a way inconsistent with the manufacturer's instructions as this could void the product warranty.
- If any parts are missing, broken, damaged, or worn, please contact us for assistance.

Parts of list

Option Size	84"	96"	108"	120"
A Column 	2	2	2	2
B Column 	0	0	0	2
C Column 	2	2	2	2
D Step 	6	7	8	9
E Column Joint 	2	2	2	4
F Track 	1	1	1	1
G Fastener 	3	3	3	3
H Track Limiter 	2	2	2	2
I Pulley 	2	2	2	2
J Hook Assembly 	2	2	2	2



Option Size	84"	96"	108"	120"
1.  M6x12	20	20	20	32
2.  M6x18	18	18	18	30
3.  M8x40	3	3	3	3
4.  ST5x50	3	3	3	3
5.  M5x50	24	28	32	36
6.  Liner	24	28	32	36
7.  ST4x25	2	2	2	2
8.  2mm	1	1	1	1
 4mm	2	2	2	2

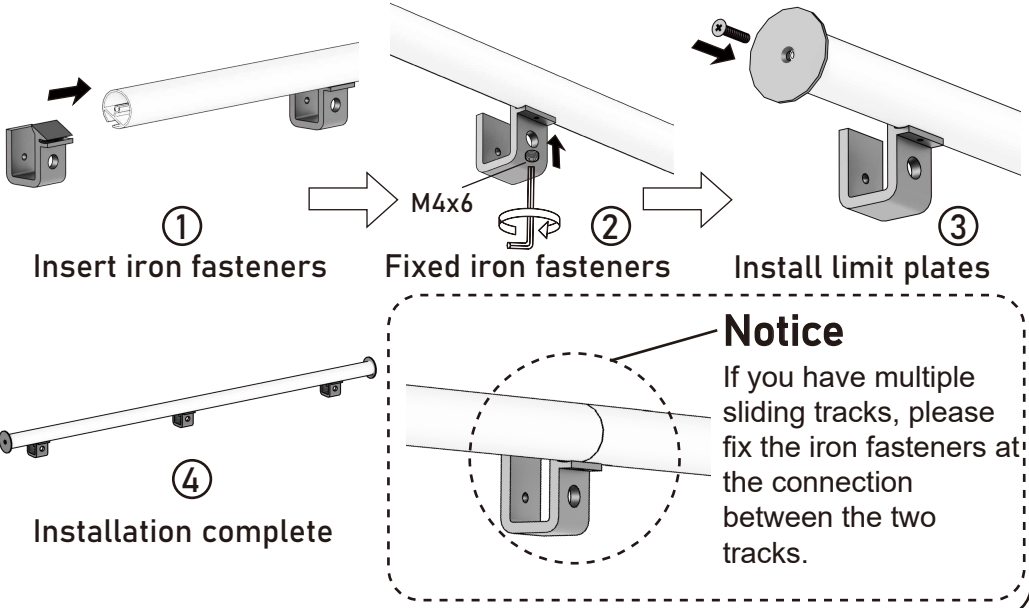
Tools Needed

1. Pencil 	5. Level 
2. Cross screwdriver 	6. Drill 
3. Wrench 	7. Drill bit  $\varnothing \frac{1}{4}$ "  $\varnothing \frac{5}{32}$ "
4. Tape measure 	

Step 1

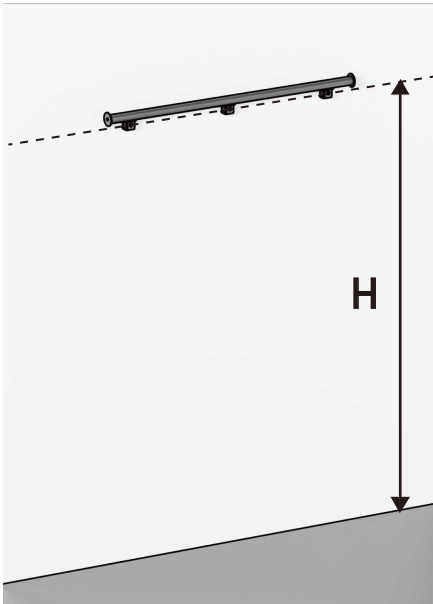
Assemble sliding track

7 ST4x25(x2) 
G M4x6 



Step 2

Confirm installation location



Notice:

Height from floor to the Fastener's hole is H, which is the recommended installation height

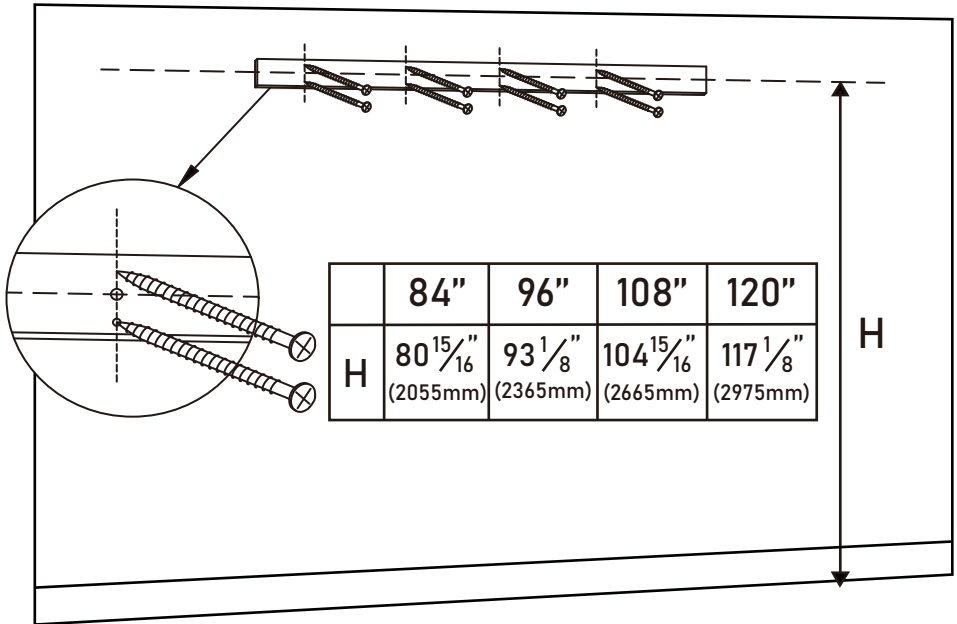
	84"	96"	108"	120"
H	80 ¹⁵ / ₁₆ " (2055mm)	93 ¹ / ₈ " (2365mm)	104 ¹⁵ / ₁₆ " (2665mm)	117 ¹ / ₈ " (2975mm)

Installation Suggestions

Sometimes there will be some issues when install the track such as a mismatch between studs and pre-drilled holes on the track. To avoid that we recommend using a head board on all installation scenario.

The board should be more than 4" wide, and a bit longer than the track.

*Please note that the head board and matched screws are not included.



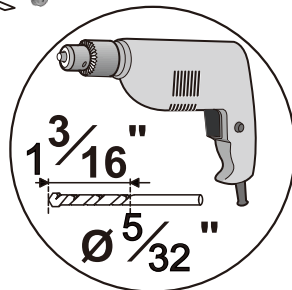
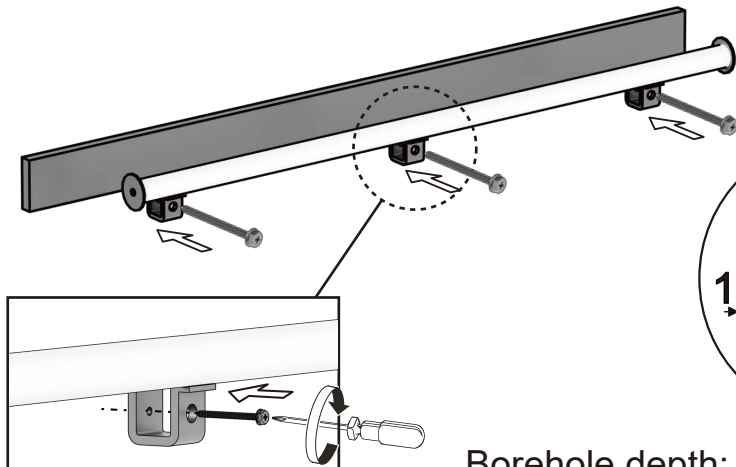
Step 3

Install the track onto the wall or bookcase

1 Drywall Installation

Install the self tapping screws to woods stud or head board directly.

4 ST5x50 (x3)

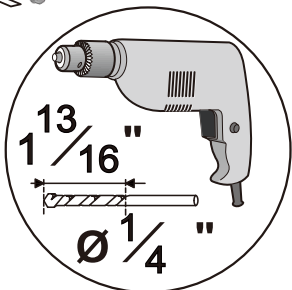
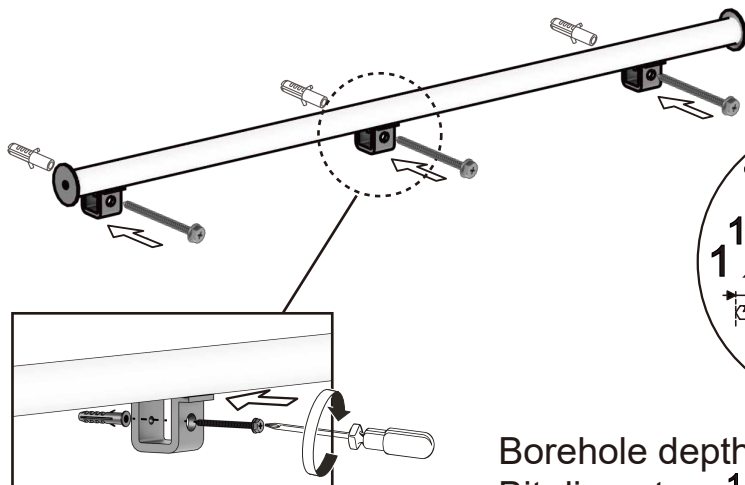


Borehole depth: 1 $\frac{3}{16}$ " (30mm)
Bit diameter: $\frac{5}{32}$ " (4mm)

2 Concrete wall installation

Install the anchor to holes on the wall first, then install the self tapping screws to anchor.

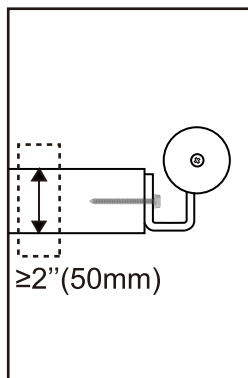
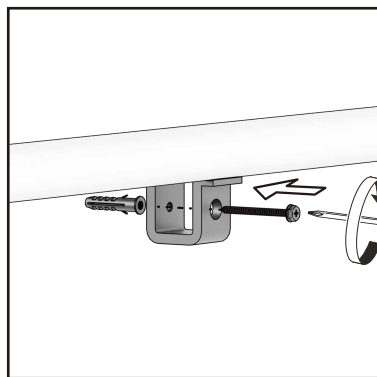
4 ST5x50 (x3)
3 M8x40 (x3)



Borehole depth: 1 $\frac{13}{16}$ " (46mm)
Bit diameter: $\frac{1}{4}$ " (6mm)

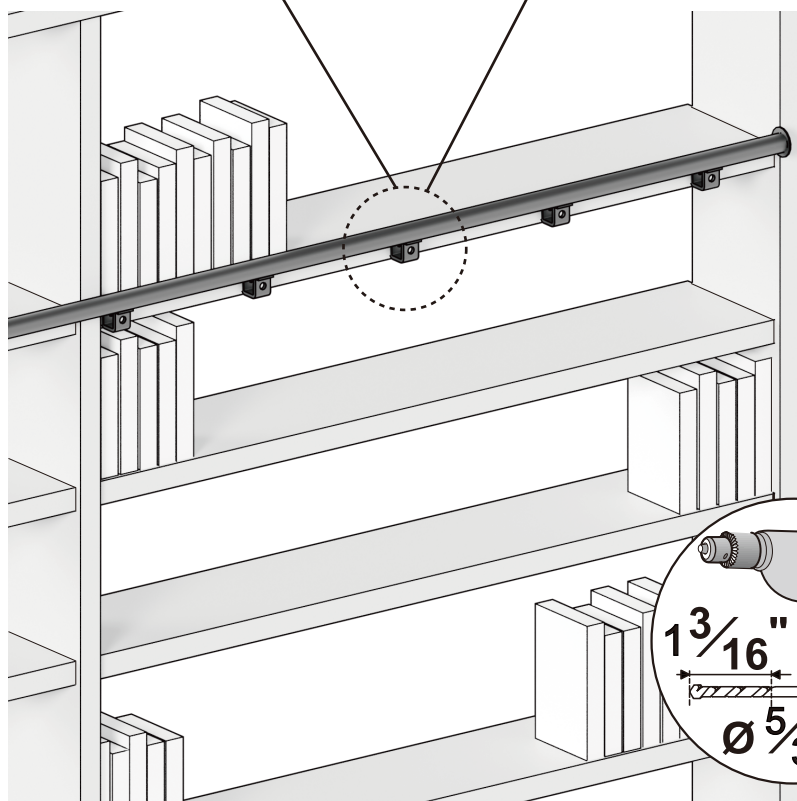
3 Bookcase installation

The first step is to ensure that the board is the right thickness for installation



Notice



The thickness of the board to be installed must be at least 2" (50mm)

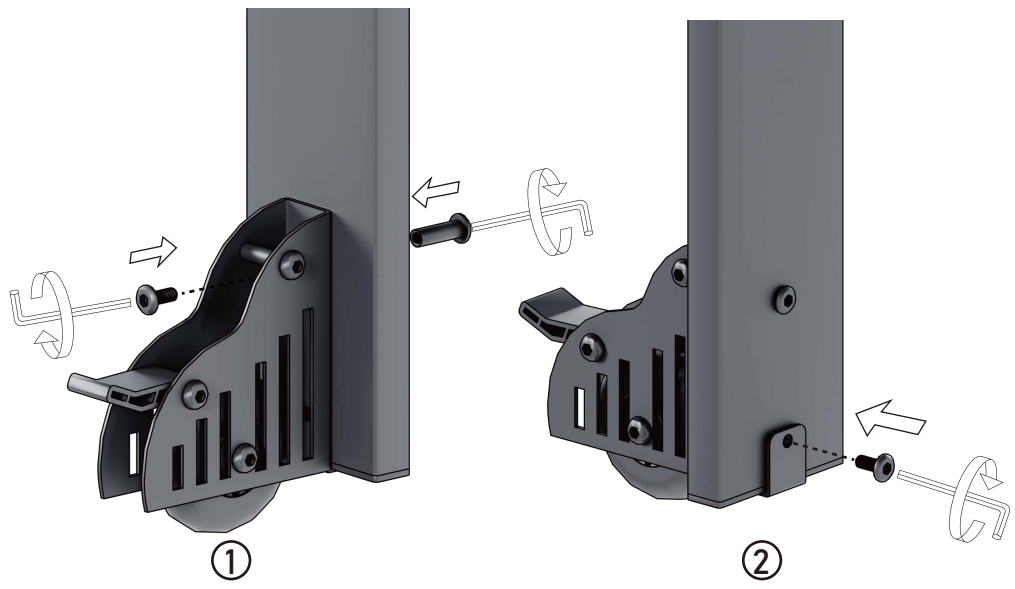


Borehole depth: $1\frac{3}{16}''$ (30mm)
Bit diameter: $\frac{5}{32}''$ (4mm)

Step 4



Install wheels

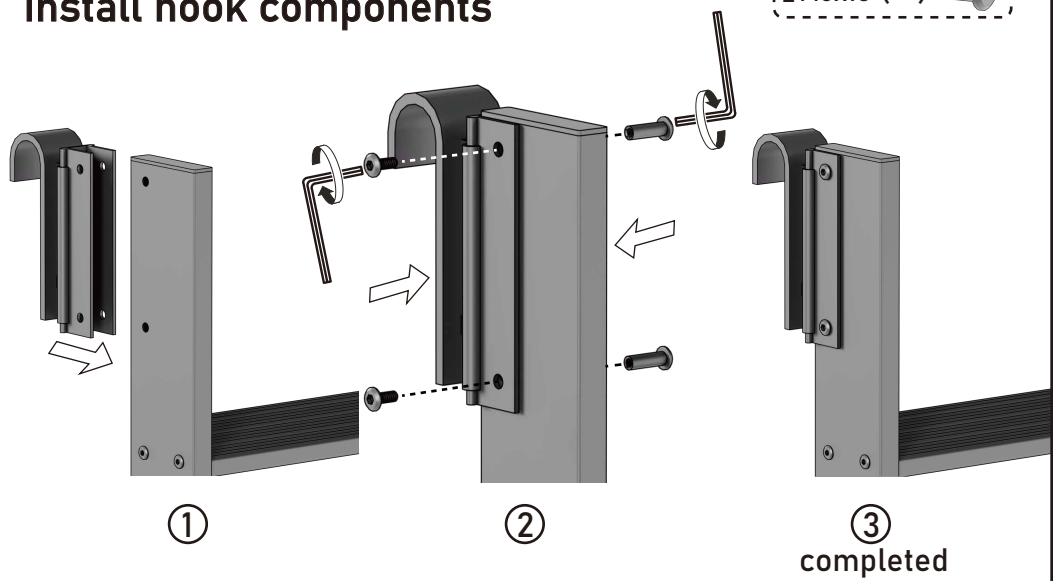
- 1 M6x12 (x4) 
- 2 M6x18 (x2) 



Step 5



Install hook components

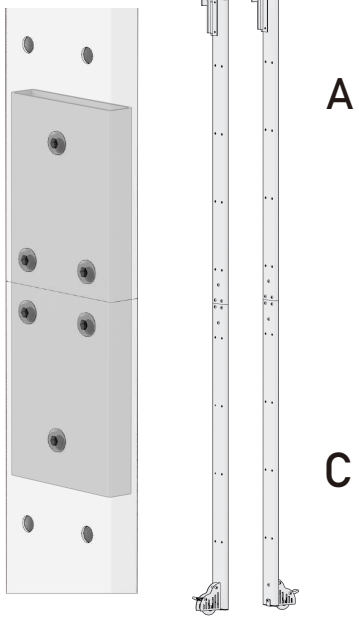
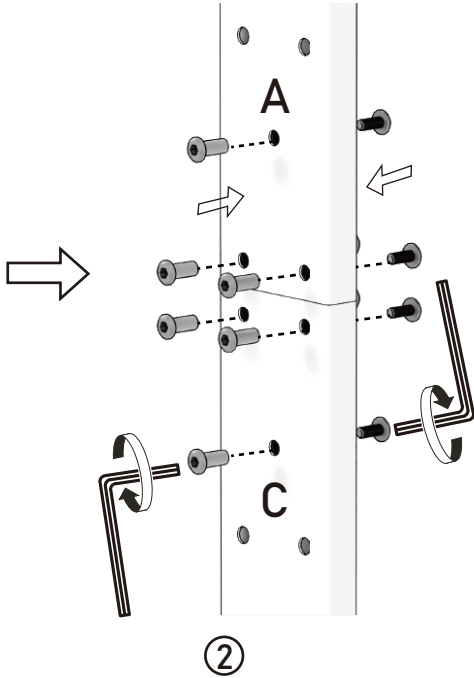
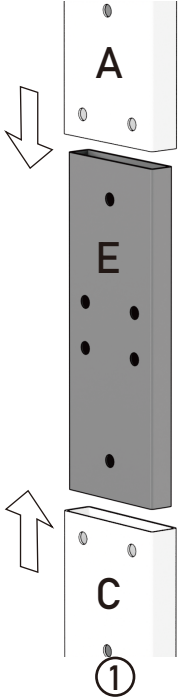
- 1 M6x12 (x4) 
- 2 M6x18 (x4) 



Step 6

Assemble the pillar

- 1 M6x12 (x12) 
- 2 M6x18 (x12) 



completed

Step 7

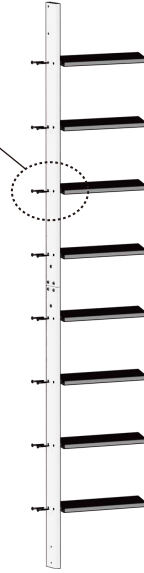
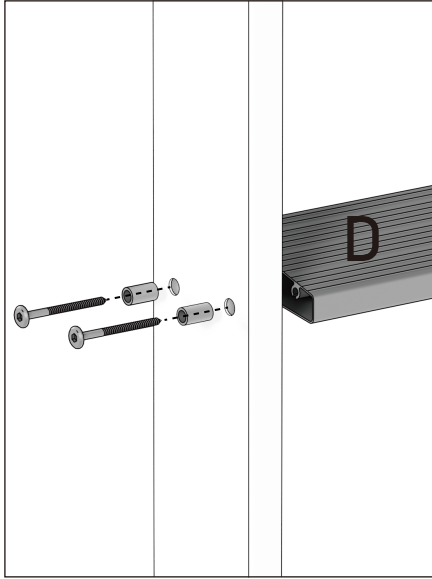
Install ladder steps

5 M5x50(x32)

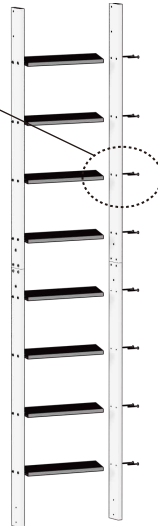
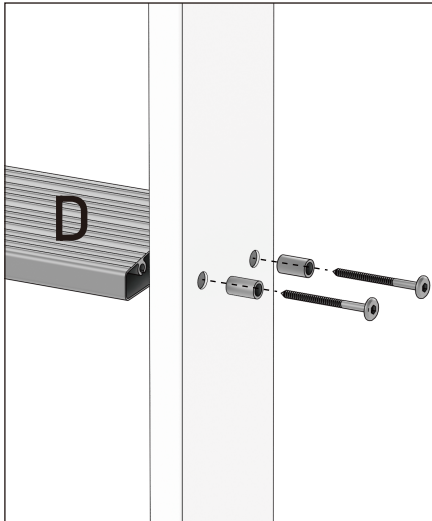
6 Liner (x32)



①



②



Notice

The first step is to place the liner into the hole. And don't tighten the screws, until everything is in place. Otherwise the last few holes will not be aligned.

Step 8

Hang the ladder onto the track
to complete the installation



complete the installation