

LSGL6335L

6.3 cu. ft. Gas Single Smart Oven Range ProBake Convection® and Air Fry, InstaView® and Premium Handle

6.3 cu. ft Large Capacity
Fan Convection
InstaView® WideView™ Window
EasyClean® and Self Clean
UltraHeat 18k BTU
LG ThinQ® with ThinQ Care
Flex Control Knobs
Premium Handle



AVAILABLE COLORS



PRINTPROOF® STAINLESS STEEL

Proactive Smart Alerts to Keep Your Appliances Running Smoothly

ThinQ Care

- Preventative Alerts help you stay a step ahead of potential issues to find proactive solutions before problems arise.
- Avoid preventable repairs and service calls with real-time diagnostics for a hassle-free experience.
- Integrated within LG's ThinQ app—a smart home hub for managing your smart devices and appliances.

SUMMARY

Type	Gas Slide in Range
Total Oven Capacity (cu.ft.)	6.3
Size in Width (in)	30"
Storage Drawer	Yes
Available Colors	PrintProof® Stainless Steel Black Stainless Steel
Oven Door Feature	InstaView® Window and Premium Handle
Fuel Type	Gas

COOKTOP

Type	Sealed
Number of Burners	5
Burner/ BTU - Left Rear	9,100 BTU
Burner/ BTU - Right Rear	5,000 BTU
Burner/ BTU - Left Front	18,000 BTU
Burner/ BTU - Right Front	18,000 BTU
Burner/ BTU - Center	10,000 BTU (Oval)
Safety Knobs	Yes

OVEN FEATURES

Capacity (cu.ft.)	6.3
Convection Type	ProBake Convection®
Convection Conversion	Yes
Bake Element Power	19000 BTU
Broil Element Power	4200W
Air Fry	Yes
Easy Clean®	Yes (10mins)
Self Clean	Yes

Oven Mode	Bake, Convection Bake, Broil High, Broil Low, Air Fry, EasyClean®, Self Clean
InstaView®	No
Number of Rack Position	7
12 hrs. Auto Shut-off	Yes

CONTROL FEATURES

Oven control Type	SmoothTouch® Glass Controls
Display	White LED
Language	English
Timed Cook	Yes
Clock	12hr or 24hr
Temperature Unit of Measure	Fahrenheit / Celcius
Certified Sabbath Mode	Yes
Energy Star® Certified	No

SMART FEATURES

Smart ThinQ® Technology	Yes
Check & Control	Yes
Voice Control	Yes (Google, Alexa) Innit (*), Nestle (*), Kraft-Heinz(*)
Smart Recipe (3rd Party Recipe App)	(*)These partners may not yet be available at the time of purchase of this product, please continue to check for app updates
ThinQ Care™	Yes
ThinQ Up™	Yes
SmartDiagnosis™	Yes
Hood / OTR / Cooktop Sync	Yes

ACCESSORIES

Griddle Plate	Yes
Air Fry Tray	Yes (1)
Standard Rack	Yes (2)
Conversion Kit	Yes

POWER/ RATINGS

Volts/ Hertz/ Amps	120V/ 60Hz/ 4.2A
--------------------	------------------

DIMENSIONS/ CLEARANCES/ WEIGHT

Product Dimensions (WxHxD)	29 7/8" x 37 1/8" x 29 5/16"
Overall Depth (in) - without handle	-
Overall Depth (in) - with handle	29 5/16"
Oven Interior Dimensions (W x H x D)	24 7/8" x 21 3/8" x 20"
Height to Cooking Surface (in)	36"
Caninet Width	30"
Shipping Dimensions (WxHxD)	32 1/2" x 44" x 30 1/2"
Product Weight (lbs.)	157.7
Shipping Weight (lbs.)	200.3

LIMITED WARRANTY

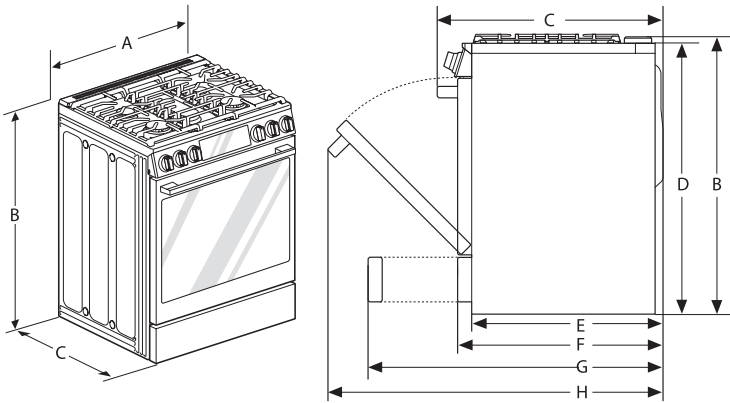
Parts & Labor	1 Year
---------------	--------

UPC CODE

LSGL6335L	048231351171
-----------	--------------

LSGL6335L

DIMENSION / CLEARANCES



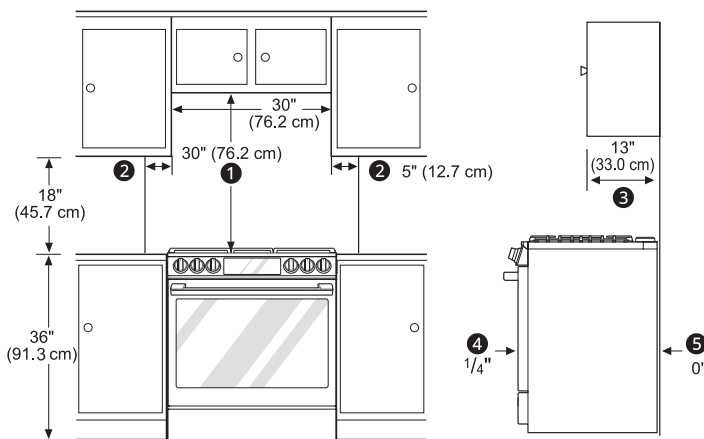
DIMENSIONS

A	Width	29 7/8" (759 mm)
B	Height	37 1/8" (943mm)
C	Depth (Includes Door Handle)	29 5/16" (743.9 mm)
D	Height (Excludes Vent Trim)	36" (913.0 mm)
E	Depth (Includes only the product body that is loaded into the cabinet. Excludes door, drawer, and handles)	24 3/4" (629.4 mm)
F	Depth (Excludes Door Handle)	26 7/8" (683 mm)
G	Depth when drawer is fully opened	38 7/16" (976.7 mm)
H	Depth when door is fully opened	36 1/16" (916.2 mm)
		(Excludes handle)
		48 5/8" (1235.9 mm)

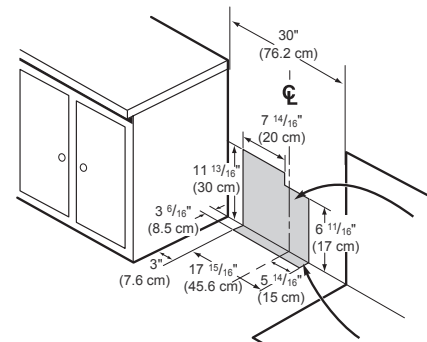


Gas Pipe and Electrical Outlet Locations

Minimum Dimensions



- ① Minimum
- ② Minimum clearance to left/right wall
- ③ Maximum depth for cabinets above countertops
- ④ Front edge of the range side panel forward from cabinet
- ⑤ To cabinets below cooktop and at the range back



Ventilation

- Do not locate your range where it may be subject to strong drafts. Any openings in the floor or wall behind the range should be sealed. Make sure the openings around the base of the range that supply fresh air for combustion and ventilation are not blocked by carpeting or woodwork.
- This appliance must not be installed with a ventilation system that blows air downward toward the range. This type of ventilation system may cause ignition and combustion problems with the gas cooking appliance resulting in personal injury or unintended operation.

Flooring

- Your range, like many other household units, is heavy and can be installed on soft floor coverings such as cushioned vinyl or carpeting. Use care when moving the range on this type of flooring.
- When the floor covering ends at the front of the range, the area that the range will be installed on should be built up with plywood to the same level or higher than the floor covering. This will allow the range to be moved for cleaning and servicing, as well as provide proper air flow to the range.
- Make sure the floor covering can resist temperatures of at least 167 °F (75 °C). See the Installation Safety Instructions included in this manual.

Ambient Temperature

- Make sure the wall coverings around your range can resist the heat generated up to 194 °F (90 °C) by the range. See the Installation Safety Instructions included in this manual.