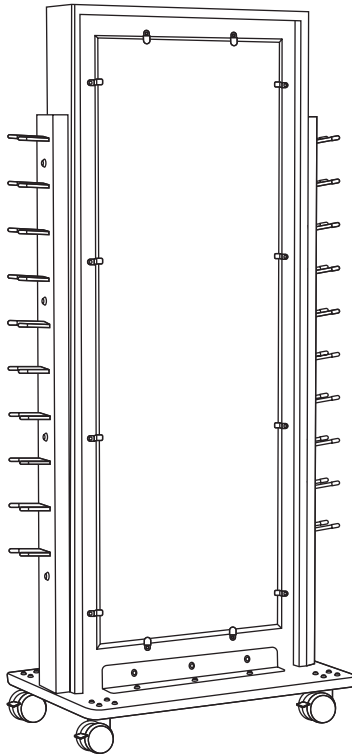


.....

MOBILE MIRROR

WITH COMBO WEIGHT RACK

.....



USER GUIDE

SKU: ADIME908-01



Thank you for your purchase.



Viva Essentials maintains a strong practice of ongoing development of products and commercial research.



We recognize that starting and maintaining a medical practice is expensive. We'll help make the process cost-effective and elegant. Additionally, our team of specialists will ensure everything you need works as efficiently as possible, so you can effectively treat your clients.

Table of Contents

- 2 Specifications
- 2 Recommended
- 3 Parts List
- 4 Hardware List
- 5 Preparation and Inspection Before Use
- 5 Assembly Instructions
- 12 Care & Maintenance Guide
- 13 Safety Warning
- 16 Warranty
- 17 Notes

Specifications

Product Dimensions: 72" H x 18" W x 31.5" L

Weight: 180 lbs.

Materials: Plywood, Glass Mirror

Recommended

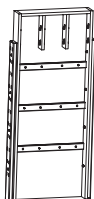
Recommended Number of People Required for Assembly



2 persons

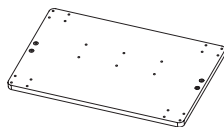
Parts List

A



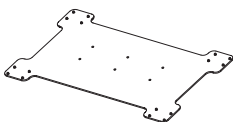
Mirror Frame

B



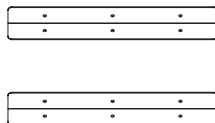
Plywood Base

C



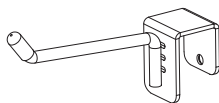
Metal Plate Base

D



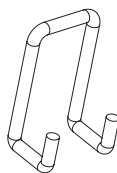
L-Shaped Connector
(x2)

E



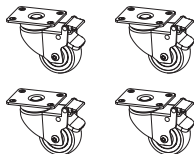
Sliding Hook (x10)

F



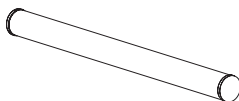
Dumbbell Rod (x22)

G



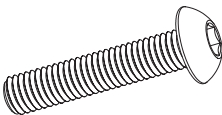

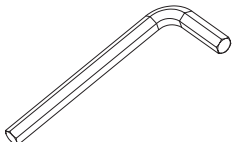
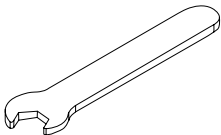
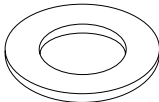
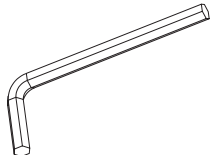
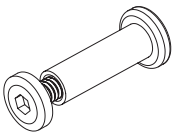
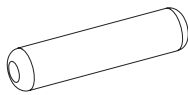
Locking Casters (x4)

H



Metal Rod (x6)

Hardware List

<p>1</p>  <p>Bolt (x26) M8*40mm</p>	<p>2</p>  <p>M8 Lock Nut</p>
<p>3</p>  <p>H5 Hex Wrench</p>	<p>4</p>  <p>M8 Open-End Wrench</p>
<p>5</p>  <p>Washer (x4)</p>	<p>6</p>  <p>H4 Hex Wrench (x2)</p>
<p>7</p>  <p>2-in-1 Hex Bolt and Nut (x3)</p>	<p>8</p>  <p>Wooden Dowels (x4)</p>

Preparation and Inspection Before Use

- A.** Confirm whether a product manual and warranty card accompany the product.
- B.** Check whether the installation hardware package is attached.
- C.** Check whether the components are deformed or damaged.
- D.** If any abnormalities occur during installation and use, please get in touch with the dealer in time.

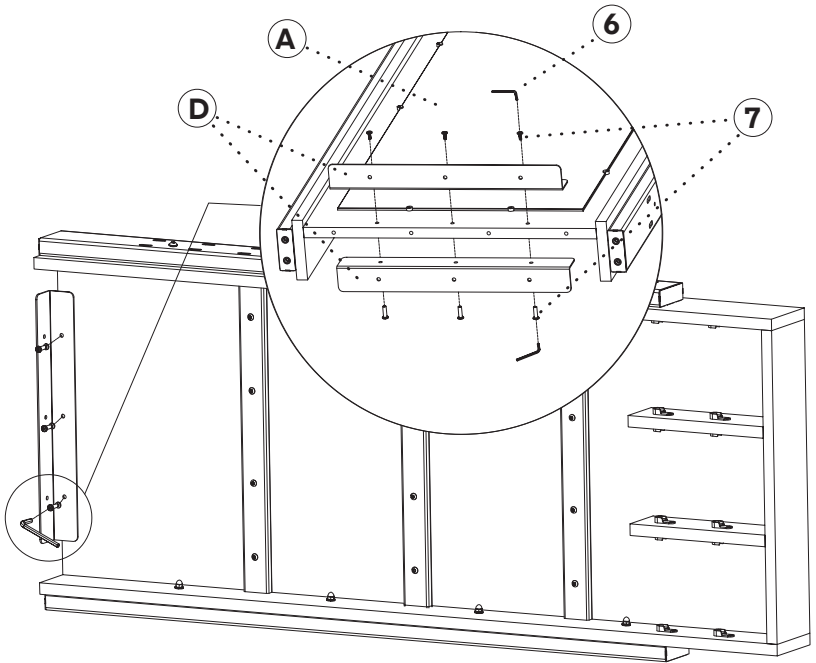
Assembly Instructions

Step 1:

- A.** Please take the product out of the packaging and place it on a level surface.
 - a.** Please lay a blanket on the ground to prevent scratches on the floor and damage to the mirror, and ensure that the ground is clean and free of contaminants or sharp objects.

Step 2:

- A.** Gently lay the Mirror Frame (A) down and install the L-Shaped Connectors (D) on both sides of the lower part of the mirror Mirror Frame (A).
- B.** When installing, first separate the bolts and nuts of the 2-in-1 Hex Bolts and Nuts (7), then pass the Bolt (7) through the L-shaped Connector (D) on one side, the wooden board, and the L-shaped Connector (D) on the other side.
- C.** Lock them with the Nuts (7) on the other side. Please use the H4 Hex Wrench (6) to lock the 2-in-1 Hex Bolts and Nuts (7).



Step 3:

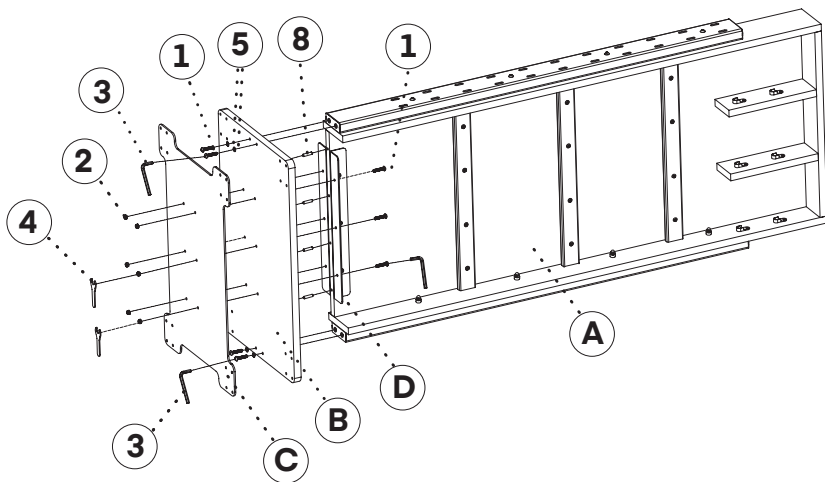
- A.** Insert four Wooden Dowels (8) into the reserved holes on the Plywood Base (B), and insert the exposed Wooden Dowels (8) on the Plywood Base (B) into the reserved holes on the bottom of the Mirror Frame (A).

Step 4:

- A.** Use M8*40mm Bolts (1) and pass through the Washers (5) and into the reserved holes at both ends of the Plywood Base (B), and screw them clockwise into the reserved threaded holes at the ends of the iron pipes on both sides of the Mirror Frame (A).
- B.** Use H5 Hex Wrench (3) to tighten all M8*40mm Bolts (1).

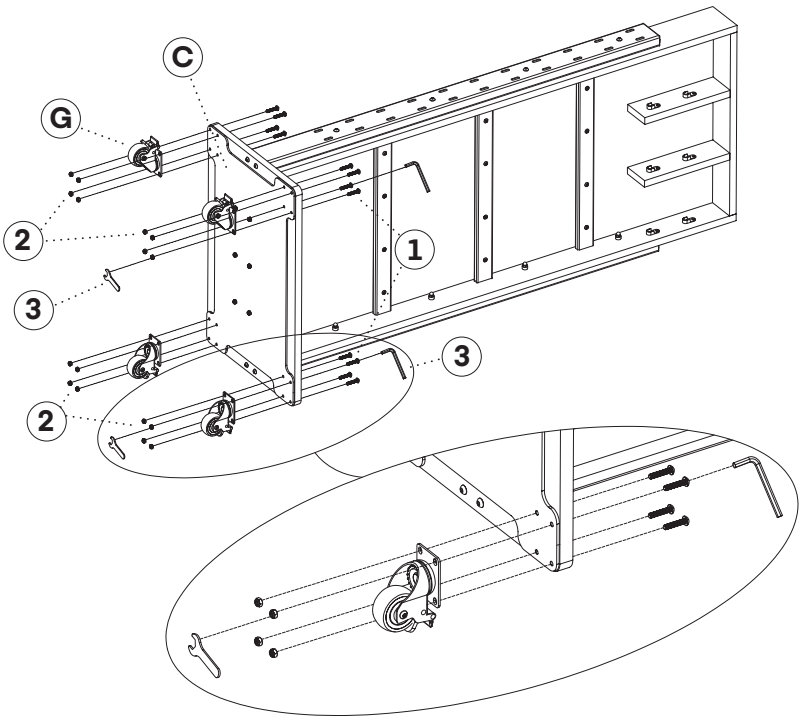
Step 5:

- A.** Use the M8*40mm Bolt (1) to pass through the reserved hole of the L-shaped Connector (D), the reserved hole of the Plywood Base (B), and the reserved hole of the Metal Plate Base (C).
- B.** Screw the M8 Lock Nut (2) into the bolt head and tighten the nut with the M8 Open-End Wrench(4).



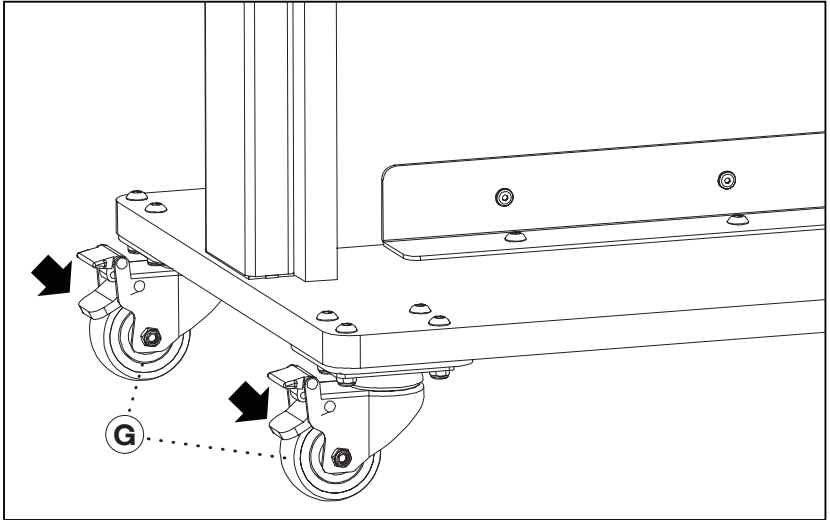
Step 6:

- A. Insert an M8*40mm Bolt (1) through the reserved holes in the Plywood Base (B), the reserved holes in the Metal Plate Base (C), and the four reserved holes on the Locking Casters (G).
- B. Screw the M8 Lock Nut (2) into the bolt heads. Tighten the M8*40mm Bolts (1) and M8 Lock Nuts (2) with the M8 Open-End Wrench (4) and H5 Hex Wrench (3) to ensure that all four Locking Casters (G) are installed under the Metal Plate Base (C).



⚠ Warning:

When standing the device upright, be sure to lock the four Locking Casters (G). If the four Locking Casters (G) slip when the device is standing upright, the mirror may fall and break.



Step 7:

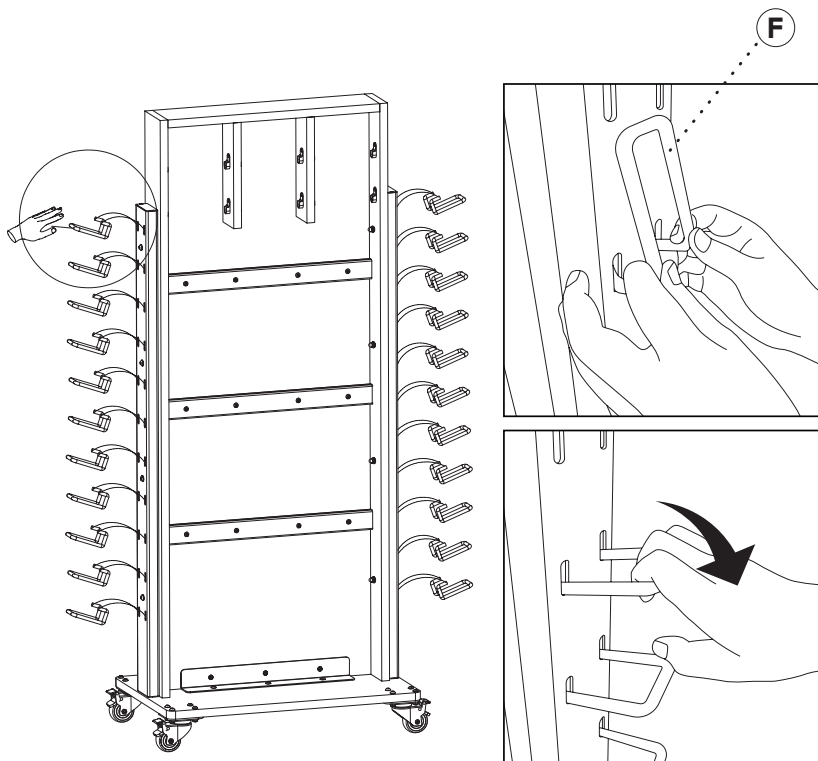
- A.** Check and tighten each bolt and nut again to ensure security.

Step 8:

- A.** While ensuring safety, stand the mirror up. It is recommended that two people operate it at the same time.

Step 9:

- A. Install the Dumbbell Rods (F) into the mounting slots of the metal tubes on both sides of the frame.

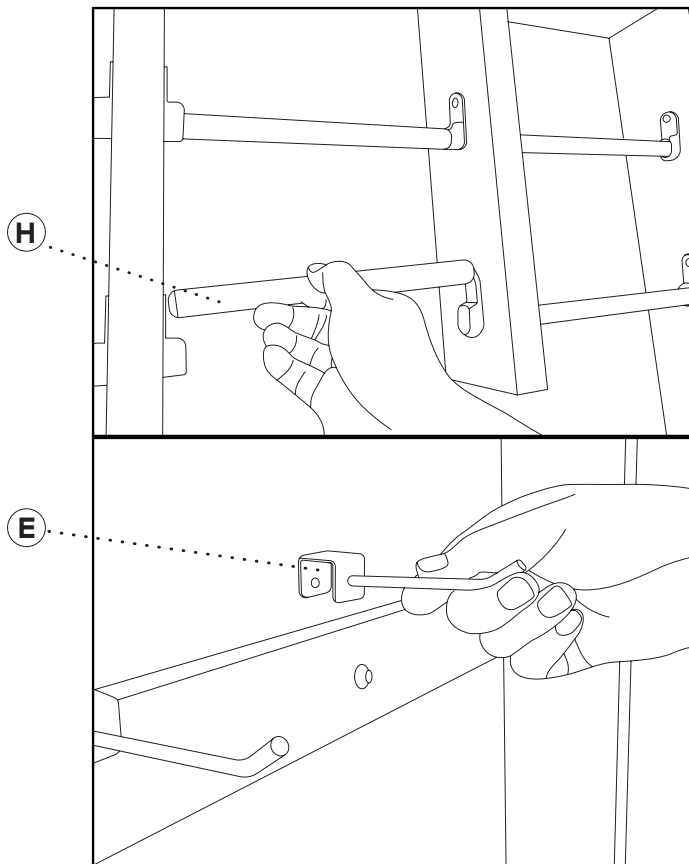


Step 10:

- A. Install the Metal Rods (H) into the metal slot reserved on the back of the mirror.

Step 11:

- A. Install the Sliding Hook (E) onto the metal tube on the back of the mirror as shown.



Care & Maintenance Guide

A. Metal and Plywood Maintenance:

a. A dry towel is recommended to wipe metal and plywood frame.




b. If disinfection is required, try to use hypochlorous acid disinfectant or alcohol with a concentration of less than 70%. Do not use highly corrosive disinfectants for disinfection, otherwise it may damage the plywood.

B. Regular Maintenance:


a. Inspect the table surface every 3 months to check that the left and right foot plates of the frame are secure. Make sure the bolts are tightened, and make sure the wheel fixing bolts are tightened.


Safety Warning


A. The user is responsible for preventing damage to this product and injury to patients and/or users.

	Reminder: Keep away from moisture. This device needs to be moisture and waterproof.
	Reminder: Always place the packaging box in the correct direction during transportation, storage, and handling to avoid damage and safety problems caused by incorrect placement.
	Reminder: This product is fragile and needs to be handled with care.


B. Risk of Mirror Breakage:


 Under no circumstances should you allow a mirror to fall over, as an accidental fall could result in the mirror glass shattering.

 A hard object touching or striking the mirror can cause it to shatter.


 Forgetting to lock the casters may cause the mirror to move or fall over.


 Placing the mirror on a sloping surface may cause the mirror to move and fall.

 It is strictly forbidden to climb on the equipment to avoid it falling.

 All four casters must be locked unless you need to move the equipment.

C. Risk of Puncture:

 After the mirror glass is broken, please wear thick protective gloves to carefully clean the glass fragments to avoid puncturing the skin.

 After the mirror glass is broken, please use a vacuum cleaner to clean up all the fragments on the ground to avoid small glass fragments scattering on the ground and causing foot injuries.

D. Infection Risk:

When cleaning, please wear gloves, masks, and eye protection to prevent the cleaning spray from rebounding from the contaminated surface.

E. Swelling and Moisture Risk of Plywood Frame:

a. It is forbidden to immerse the ply-wood frame in water, as it will swell when it comes into contact with water, causing the surface to peel off.

b. The humidity requirement for equipment transportation, use and storage environment is: 20%~80%. If the product is exposed to an overly dry or humid environment for a long time, the surface may crack or peel off.

c. When using detergent to clean the glass, spraying too much detergent will cause the detergent to penetrate into the gap between the plywood and the glass, causing the plywood to swell when it comes into contact with water.

F. Hardware Accessories Rusting Risk:

a. The humidity requirement for equipment transportation, use, and storage environment is 20%~80%. If the equipment is exposed to an overly humid environment for a long time, the hardware accessories may rust.

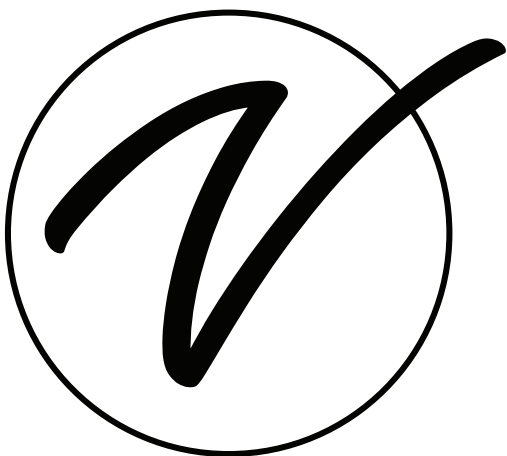
b. The metal parts of the equipment are strictly prohibited from contacting acidic substances; otherwise, they may cause damage to the paint surface and then rust.

G. Other precautions:

- a.** It is strictly prohibited to approach fire sources.
- b.** Do not place it in direct sunlight.
- c.** Do not place it in high-temperature places such as heaters.
- d.** Indoor use only.

Warranty

1. Viva Comfort (the "Company" or "Tiger Companies") warrants to the purchaser that the product will be free from defects in workmanship and materials for a period of 2 years from the date of purchase. The warranty period is not extended if we repair, replace, exchange, or provide a refund for the product (as determined in our sole discretion). We may change the availability of this limited warranty at our discretion, but any changes will not be retroactive.
2. These warranties are not assignable or transferable to any other person, including, without limitation, any subsequent owner or other transferee of the product.
3. This Warranty does not apply to: (a) damage caused by misuse, tampering, abuse, neglect, or accident; (b) damage caused by improper installation, modification, or service; (c) alteration of the serial number; or (d) use that violates the instructions furnished by the Company will void this warranty.
4. The sole responsibility of the Company shall be limited to (a) the repair or replacement (in its sole discretion) of any component of the product which fails to conform to this; (b) a refund the purchase price of such product (in its sole discretion), at no cost to the purchaser for the period of the warranty, or (c) an exchange for a similar product, comparable in function and price.
5. Contact the Company directly at 1-(800)-805-1790 to obtain service under this warranty. If it becomes applicable to send a defective product to the Company, a Return Authorization Number must first be obtained from the Company. In order to obtain service under this warranty, purchaser may be required to provide the Company with the following items (a) proof of purchase, (b) photographs and or videos (of the damage, and (c) a written testimonial describing the defect.
6. Products shipped without prior Return Authorization and Return Authorization Number may not be accepted, and the Company will not be responsible for their disposition and/or cost of return to the owner.
7. The Company will not assume any responsibility for any loss or damage incurred in shipping and or delivery.
8. The product(s) must be returned within 14 calendar days of receiving the return authorization from the Company and must include the original proof of purchase for the warranty to be honored.
9. Any implied warranties that the purchaser may have are limited to the duration of the warranties described above. There are no further warranties that extend or apply beyond the face hereof, and the Company expressly disclaims and excludes any and all warranties of merchantability or fitness for a particular purpose. Some states do not allow limitations on how long an implied warranty lasts, so the above limitation may not apply to you.
10. THE REMEDIES DESCRIBED ABOVE ARE YOUR SOLE AND EXCLUSIVE REMEDIES AND THE COMPANY'S ENTIRE LIABILITY FOR ANY BREACH OF THIS LIMITED WARRANTY. OUR LIABILITY SHALL UNDER NO CIRCUMSTANCES EXCEED THE ACTUAL AMOUNT PAID BY YOU FOR THE DEFECTIVE PRODUCT, NOR SHALL WE UNDER ANY CIRCUMSTANCES BE LIABLE FOR ANY CONSEQUENTIAL, INCIDENTAL, SPECIAL OR PUNITIVE DAMAGES OR LOSSES, WHETHER DIRECT OR INDIRECT. SOME STATES DO NOT ALLOW THE EXCLUSION OR LIMITATIONS OF INCIDENTAL OR CONSEQUENTIAL DAMAGES, SO THE LIMITATION MAY NOT APPLY TO YOU.
11. This warranty gives you specific legal rights, and you may also have additional rights which vary from state to state.



ADIME908-01

© 2025 Viva Essentials
vivacomfort.com