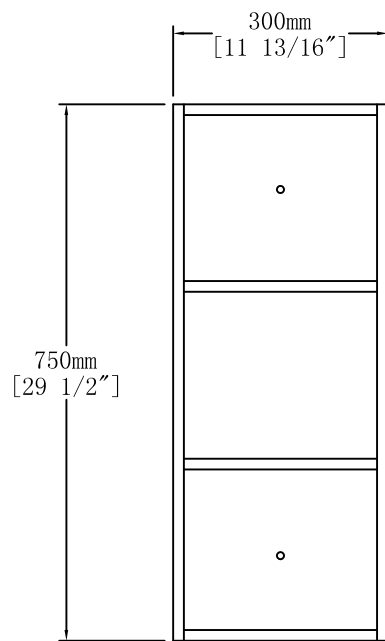
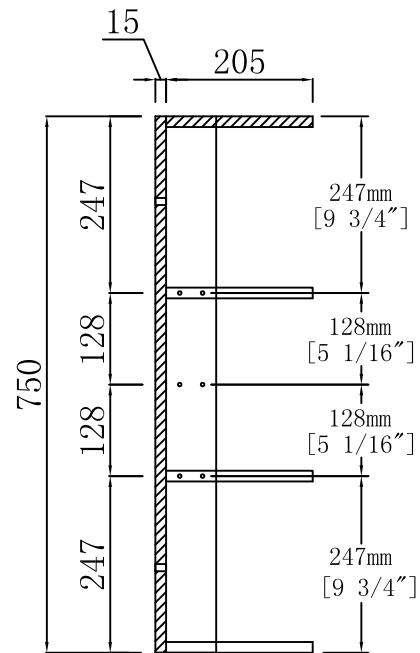


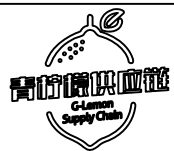
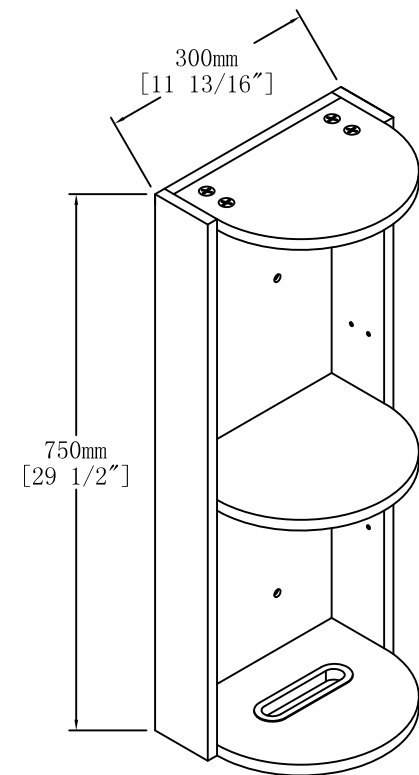
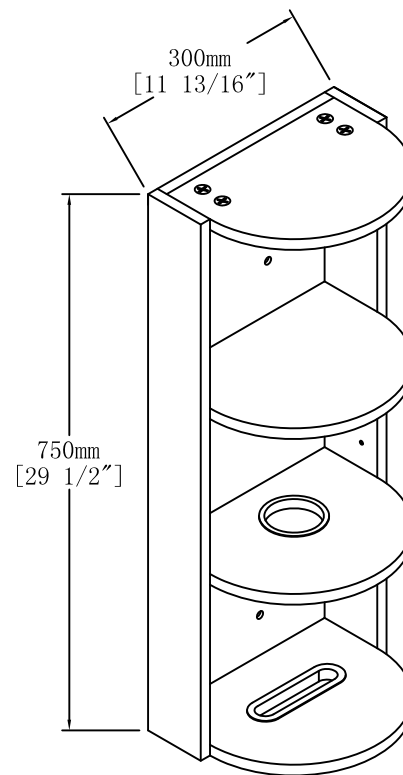
Top View



Front View



Side View



Item NO.

SC 00612

Version

V1

Project

Date

2024-12-14