

HICFM

USER MANUAL AND OPERATING INSTRUCTIONS

READ & SAVE THESE INSTRUCTIONS



UTILITY FAN- FORCED HEATER

120V / 60Hz, 1500W

ITEM NO.: HEATER01

MODEL NO.: SHAG-G33F



If you have any questions or comments about this or any product, please e-mail our customer service by inquiry@hicfm.com

www.hicfm.com

IMPORTANT INSTRUCTIONS

NOTE: There may be a trace of smoke or odour when unit is first operated. Don't be alarmed. This indicates that a drop of oil fell on the heating coil during the manufacturing process. It will quickly evaporate and should not re-occur.

Make sure that the room in which the appliance is located is well ventilated during this operation. It is normal for the appliance to emit small cracking sounds when you turn it on for the first time. Do not be alarmed.

WARNING

When using electrical appliances, basic precautions should always be followed to reduce the risk of fire, electric shock, injury to persons, and hyperthermia, including the following:

1. Read all instructions before using this heater.
2. Do not operate the product until all parts are fully assembled and properly placed.
3. This heater is hot when in use. To avoid burns, do not let bare skin touch hot surfaces. Keep combustible materials, such as furniture, pillows, bedding, papers, clothes and curtains at least 3 ft. (0.9 meters) from the front and top of the heater and keep them away from the sides and rear. Keep the rear grille away from walls or drapes so as not to block the air intake.
4. Extreme caution is necessary when any heater is used by or near children or invalids and whenever the heater is left operating and unattended.
5. Always unplug heater when not in use. To disconnect, grip plug and pull from wall outlet. Never yank on cord.
6. To disconnect the heater, turn controls to "OFF", then remove the plug from outlet.
7. Do not operate any heater with a damaged cord or plug or after the heater malfunctions or has been dropped or damaged in any manner. Return heater to an authorized service facility for examination, electrical or mechanical adjustment or repair.
8. Do not use outdoors. For household and floor use only.
9. This heater is not intended for use in bathrooms, laundry areas and similar indoor locations. Never locate heater where it may fall into a bathtub or other water container. Do not splash or pour water on the product.
10. Do not run cord under carpeting. Do not cover cord with throw rugs, runners or the like. Do not route cord under furniture or appliances. Arrange cord away from traffic area where it will not be tripped over. Route the cord so that it will not be walked on, or pinched by furniture.
11. Connect to properly grounded outlets only. Check heater voltage and amperage on the back of the heater to make sure it compatible with the electric service supplied.
12. Do not insert or allow fingers or foreign objects to enter any ventilation or exhaust opening as this may cause an electric shock, fire or damage to the heater.
13. To prevent a possible fire, do not block air intakes or exhaust in any manner. Do not use on soft surfaces, like a bed, where openings may become blocked.

IMPORTANT INSTRUCTIONS (CONTINUED)

14. Use this heater only as described in this manual. Any other use not recommended by the manufacturer may cause fire, electric shock, injury to persons or other damage to property.
15. It is normal for the heater's plug and cord to feel warm to the touch. A plug or cord which becomes hot to the touch or becomes distorted in shape may be a result of a worn electrical outlet. Worn outlets or receptacles should be replaced prior to further use of the heater. Plugging heater into a worn outlet/ receptacle may result in overheating of the power cord or fire.
16. Ensure the heater is on a stable, secure, horizontal floor surface to eliminate the potential of tipping it over.
17. Be sure that the plug is fully inserted into appropriate receptacle. Please remember that receptacles also deteriorate due to aging and continuous use: check periodically for signs of overheating or evidence of deformation at the outlet or damage to the heater plug. Should this occur, do not use the receptacle if deteriorated. CALL your electrician.
18. Check that neither the appliance nor the power cable has been damaged in any way during transportation.
19. Make sure that no pieces of polystyrene or other packaging material have been left between one element of the appliance and another. It may be necessary to pass over the appliance with a vacuum cleaner.
20. When switching on the appliance for the first time, you may notice a slight odour which is normal with new electrical appliances. Allow odor to dissipate by running appliance at full power for about ten minutes. Make sure that the room in which the appliance is located is well ventilated during this operation. To prevent overloading a circuit, do not plug the heater into a circuit that already has other appliances working.
21. Do not run in locations when the heater will be left unattended for long periods of time.
22. Do not use attachments or filters. They are not recommended.
23. Always plug heater directly into a wall outlet receptacle. Do not use with any solid speed control device. Never use with an extension cord or relocatable power tap (outlet/power strip). A heater has hot and arcing or sparking parts inside. Do not use it in areas where gasoline, paint or flammable liquids are used or stored.
24. Hyperthermia can result in death. Symptoms of hyperthermia include high body temperature, headache, nausea, vomiting, tiredness, dizziness, fainting, and rapid pulse. If you begin to experience symptoms related to hyperthermia, turn off the heater and seek medical attention.
25. To avoid excessive room temperatures which can cause hyperthermia: DO NOT leave product running unattended in a confined space around infants, or individuals with reduced physical, sensory, or mental capabilities.

IMPORTANT INSTRUCTIONS (CONTINUED)

26. Use caution after the heater has been in use as the metal outlet grille may be hot to the touch.
27. To avoid overheating, do not cover the heater. Due to the high temperature of the air vents, to prevent burns, keep babies, pets or other users away from or touching the air vents when in use to prevent burns.
28. Do not place any objects on the product and do not sit or stand on the product.
29. If you're going to lend this appliance to someone, lend them these instructions as well.
30. This appliance is not intended for use by persons (including children) with reduced physical, sensory or mental capabilities, or lack of experience and knowledge, unless they have been given supervision or instruction concerning use of the appliance by a person responsible for their safety.
31. Extreme caution is necessary when any appliance is used by or near children. Children should be supervised to ensure that they do not play with the appliance. Cleaning and user maintenance shall not be done by children unless they are older than 12 and supervised.
32. Children should be supervised to ensure that they do not play with the appliance, its parts and packaging material.
33. Do not use this heater in an RV, boat or during any application where battery power is converted to AC power.
34. Do not place the heater near a bed because objects such as pillows or blankets can fall off the bed and be ignited by the heater.
35. No part of this product (the appliance, power cord, plug, packaging, etc.) should be placed near furnaces, fireplaces, stoves or other high temperature heat sources.
36. Do not use in damp or wet locations such as greenhouse or in areas where corrosive or chemical agents are present.
37. This appliance, power supply, power cord and plug cannot come into contact with water. Do not use this product on wet surfaces. Do not use this product in a bathtub or shower or position where it may fall into a bathtub, shower, laundry, swimming pool or other water container.
38. Do not use nearby window.
39. Do not use with wireless plug adapter or outlet that allows control remotely.
40. Do not use this heater with a timer designed to automatically turn the unit on or off, as this may accidentally disable the heater's thermal cutout safety feature.
41. Do not attempt to disassemble or modify this product for any other purpose. Any such modification or misuse could lead to serious injury, death, or fire.
42. Do not plug heater into any other cord connected device, such as a power strip, surge protector, multiple outlet adapter, cord reel or outlet-type air freshener. The use of such devices may create a fire hazard.

IMPORTANT INSTRUCTIONS (CONTINUED)

43. To reduce the risk of fire, electric shock or injury to persons, do not use replacement parts that have not been recommended by the manufacturer (e.g. parts made at home using a 3D printer).
44. All servicing, apart from ordinary cleaning, should be performed by qualified personnel only. Those who are not certified electricians should not disassemble, repair or rebuild the heater. There are no user-serviceable parts inside.



SAVE THESE INSTRUCTIONS

DISPOSAL

1. We encourage you to participate in recycling program, so please observe local regulations for proper disposal of discarded products.
2. Recycle raw materials instead of disposing of as waste. The machine, accessories and packaging should be sorted for environmental-friendly recycling.

CARE AND MAINTENANCE

Check the plug prongs for oxidation periodically, especially after storage. Oxidation on the prongs can result in a bad electrical connection and cause over heating at the outlet. Do not store the heater in a damp place.

Have your heater checked regularly for any sign of malfunction! Check if plug, cord or appliance is damaged. Stop using, check FAQ and contact Support Team.

Clean the trim using a soft cloth, slightly dampened with citrus oil based product and buff with a clean soft cloth. Citrus oil based products are recommended for cleaning and can be found at supermarkets or hardware stores.

Never use abrasive or flammable solvents to clean the heater.

WARNING: Electrical outlet wiring must comply with local building codes and other applicable regulations to reduce the risk of fire, electrical shock and injury to persons.

WARNING: Disconnect power and allow the heater to cool down before attempting any maintenance or cleaning to reduce the risk of fire, electrical shock or personal injury.

ONE (1) YEAR LIMITED WARRANTY

Every product is thoroughly inspected and tested before leaving the factory. It is warranted to be free of defects in workmanship and materials for a period of ONE YEAR from the date of purchase.

This warranty does not cover:

- Alterations that have been made to the product.
- Repairs that are required because of normal wear and tear.
- Repairs that have been made or attempted by anyone other than the manufacturer.
- The product that has been mistreated, misused or improperly maintained and operated.

This warranty covers only new products purchased from our authorized dealers or retailers. It does not cover used, salvaged, or refurbished products.

The manufacturer assumes no responsibility for damage or injury due to unauthorized use or product modification. Failure to follow these instructions will void the product warranty.

As some states do not allow the limitation or exclusion of incidental or consequential damages, or do not allow the limitation on implied warranties, the above limitation and exclusions may not apply to you. This warranty gives you specific legal rights, and you may also have other rights, which vary from state to state.

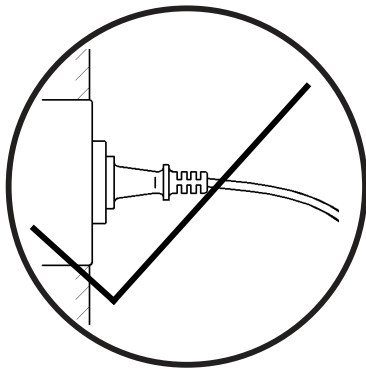
PRODUCT SPECIFICATIONS

Voltage	120V AC/60Hz
Amps	12.5A
Wattage	1500W

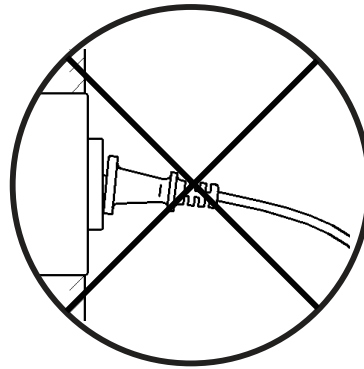
OPERATION INSTRUCTIONS

Warning: Risks from loose sockets

- 1) Loose sockets can cause plug overheat or serious fire hazard. Ensure that the heater is plugged into the socket (as shown in Figure 1) before each use, after 5-10 minutes of use, and during use, and check frequently to ensure that the heater plug is not overheated and deformed.
- 2) If you find that the plug is not tightly inserted into the socket (as shown in Figure 2) or that the plug is overheated and deformed, immediately stop using the heater with a damaged plug and have the socket replaced by a qualified electrician.
- 3) Do not ignore any signs of electrical problems, such as socket covers overheat, sparking when plugged in or operated, lights flickering/dimming during operation. If you notice any of these problems, immediately turn off the unit and unplug it from the power source. Before operating the unit again, contact a qualified electrician to investigate the possible cause.



Sockets and plugs in normal condition

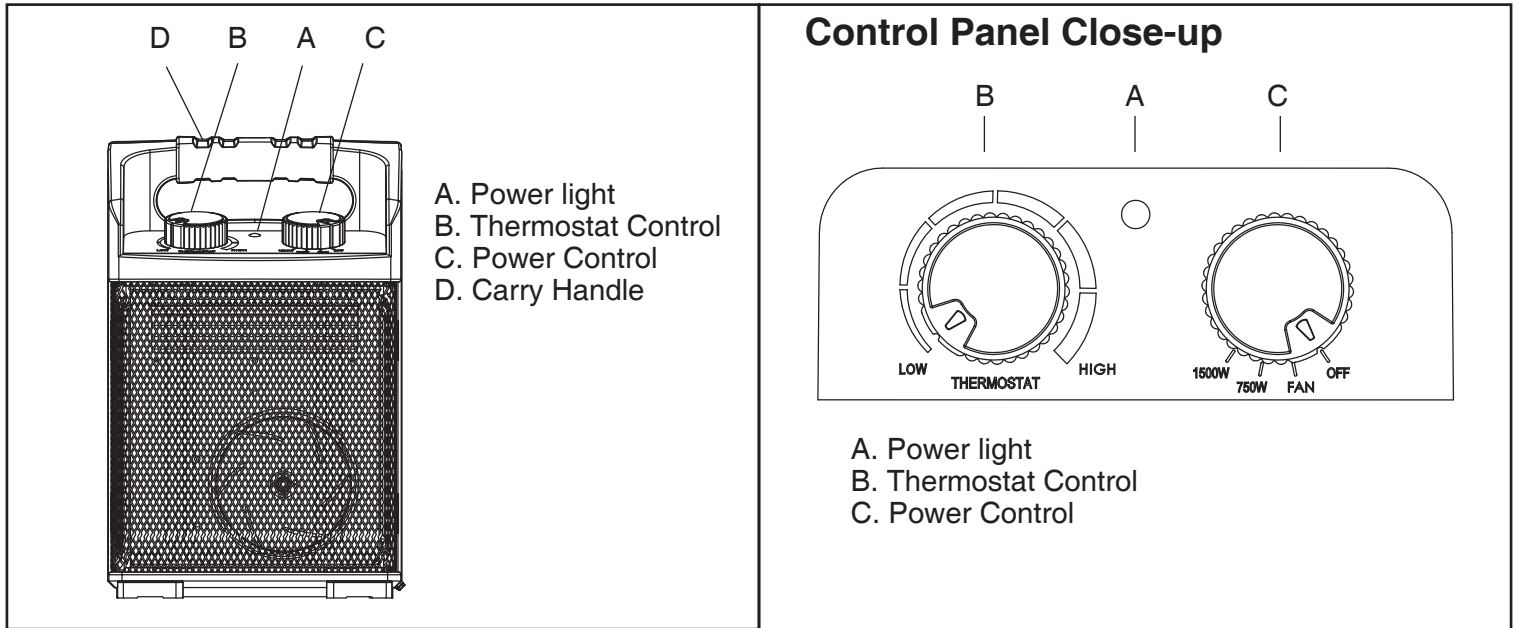


sockets and plugs may cause a fire

This appliance has a polarized plug (one blade is wider than the other). To reduce the risk of electric shock, this plug is intended to fit in a polarized outlet only one way. If the plug does not fit fully in the outlet, reverse the plug. If it still does not fit, contact a qualified electrician. Do not attempt to defeat this safety feature.

OPERATION INSTRUCTIONS

WARNING: Inspect the unit for visible damage. If there are signs of damage, do not use this heater. Please contact customer service if any damage is found.



Power Control

OFF - off mode **FAN** -fan only setting **750W** - low heat setting **1500W** -high heat setting

- 1.This switch turns on and off the main power. If you want to shut the heater off at any time during operation, turn the Power Control to OFF position. Power Light may remain lit until the heater is unplugged.
- 2.Two heat settings: 750W and 1500W. Switch the knob to desired heating mode.

Thermostat Control

1. Before setting the thermostat, allow the heater to start and operate. Turn the Thermostat Control clockwise to highest setting to warm up the room.
2. When the desired temperature/comfort level is reached, lower the temperature setting by turning the Thermostat Control counter-clockwise until the appliance shuts off.
3. The control will now automatically maintain the pre-set temperature level by turning the heater ON and OFF.

NOTE:

1. Make certain the appliance is in the OFF position before plugging the heater into the power outlet. The plug must fit tightly into outlet. A loose fit will cause overheating and damage to the plug. During normal use, however, the plug may feel warm.
2. At 1500 Watts, this heater draws 12.5 Amps, avoid overloading your circuit by not using other high wattage appliances in the same outlet.
3. Before using the heater, make sure that it is on a flat, stable, horizontal surface. Damage may occur if it is placed in an incline or decline.
4. Do not force the knob beyond its normal stopping position.
5. When move the heater or not in use, turn all the controls to OFF, and remove plug from the outlet.
6. It is normal for the heater to cycle ON and OFF as it maintains the preset temperature.
7. Extreme caution is required at all times a heater is in operation. Always unplug heater when not in use.
8. Never use the cord as a handle or otherwise yank, strain or stretch the power cord.
9. Do not sit or stand on product.
- 10.Use the carry handle when moving this heater.
- 11.Power light will be on when power is connected.
- 12.THIS UNIT IS FOR INDOOR USE ONLY.

WARNING: FRONT GRILL IS HOT WHEN UNIT IS IN OPERATION, DO NOT TOUCH.

AUTO SAFETY PROTECTION

This heater is equipped with a Total Safety System with tip-over protection and overheat protection that will shut-off the heater.

Tip-over Shut-off:

when the unit is accidentally knocked over, it will shut off. To reset, simply place the heater in an upright position on a level surface.

Overheat Shut-off:

When a potential overheat temperature is reached, the system will automatically shut the heater off. Make sure heater is clear of all obstructions. It can only resume operation when the user resets the unit.

Reset Instructions:

If your heater shuts down:

- 1) Turn Power Control to OFF.
- 2) Unplug the unit and wait 30 minutes.
- 3) Plug in and operate normally.

Anti-Freeze Function:

Your heater includes an Anti-Freeze setting on the thermostat control to help protect basements and other areas of the home.

HEATER STORAGE

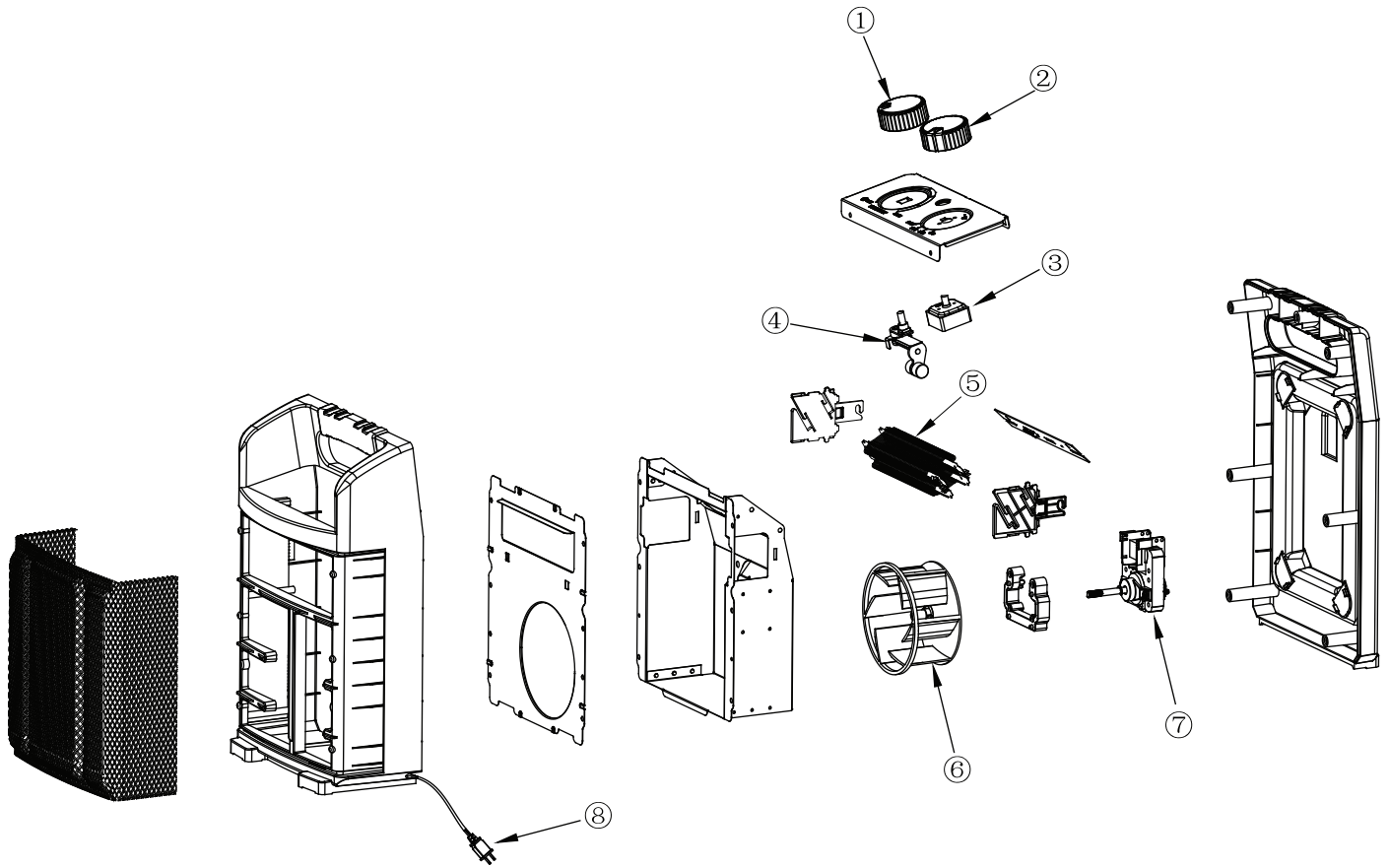
1. Store heater unit with cord in a cool, dry location.
2. It is recommended to store the heater and cord in the original package.

TROUBLESHOOTING GUIDE

Problem	Root Cause	Corrective Action
1. Heater fails to power on	1a. Power cord was not plugged into the outlet.	1a. Check that unit is plugged directly into a standard 120 volt outlet.
	1b. Unit has overheated.	1b. Automatic safety shut off has initiated. Power heater off, then unplug power cord, remove any obstructions. Wait 30 minutes, allowing heater to cool down. Plug in power cord and place heater in desired position. Power heater on, your heater should now function normally.
	1c. Tip-over switch on bottom of unit has been tripped and safety shut-off system has cut power to heater.	1c. Place heater on level surface. Position heater back in upright position and power is restored.
	1d. Unit is damaged or in need of repair.	1d. Contact customer service for assistance.
2. Not producing enough heat.	2a. Power strip/surge protector/extension cord being used.	2a. Plug unit directly into the wall.
	2b. Location of unit.	2b. Make sure unit is located on an interior room. Close all doors and windows to trap heat.
	2c. Improper operation.	2c. Make sure Power Control is set to 1500W and Thermostat Control is set to highest temperature setting.
	2d. Location of unit.	2d. Recommended for rooms not exceeding 160 square feet.
	2e. Not turned up to maximum power.	2e. Set the Power Control to "1500W" and set the Thermostat Control to the maximum level.
3. Unit blows cool or cold air.	3. Defective heater blower motor.	3. Contact customer service for assistance.
4. Noise with heater on.	4a. Dirty heater blower motor.	4a. Gently vacuum heater blower vents.
	4b. Defective heater blower motor.	4b. Contact customer service for assistance.
5. Power cord gets warm.	5. Normal operation	5. Check your heater cord and plug connections. Faulty wall outlet connections or loose plugs cause the outlet or plug to overheat. Be sure the plug fits tight in the outlet. Heaters draw more current than small appliances, overheating of the outlet may occur even if it has not occurred with the use of other appliances. During use check frequently to determine if your plug outlet or faceplate is HOT! If so, discontinue use of the heater and have a qualified electrician check and /or replace the faulty outlet(s).
6. Heater does not work, but Power Control is in the 750W or 1500W position and thermostat is set on the highest level.	6. The thermal protector has tripped.	6. Turn all switches to the "OFF" position and unplug the unit from the wall outlet for 5 minutes. After 5 minutes, plug the unit back into wall outlet and operate as normal.

NOTE: The troubleshooting guide addresses the most common problems. If problems persist, feel free to contact the Customer Support.

PARTS LIST



PART	DESCRIPTION	QUANTITY	PART#
1	Thermostat Control Knob	1	G33F-01
2	Speed Control Knob	1	G33F-02
3	Speed Control Switch	1	G33F-03
4	Adjustable Thermostat	1	G33F-04
5	Heating Elements	1	G33F-05
6	Wind Wheel Assembly	1	G33F-06
7	Motor	1	G33F-07
8	Power Cord	1	G33F-08