

# Assembly Instructions

Caution : You must read this before you proceed

## Care & Maintenance



- Not for commercial use. For residential use only.



- Furniture may scratch floors. We recommend using furniture pads to protect your floors.



- Do not put hot items directly on furniture surface.



- Do not clean furniture with harsh cleansers or polish.



- Do not place furniture under direct sunlight.



- Do not place furniture near heating or cooling vents.



- Do not write on furniture without a padded barrier to protect the surface.



- Do not place furniture outside . For indoor use only.



- Stains may be removed with mild soap solution and damp cloth.



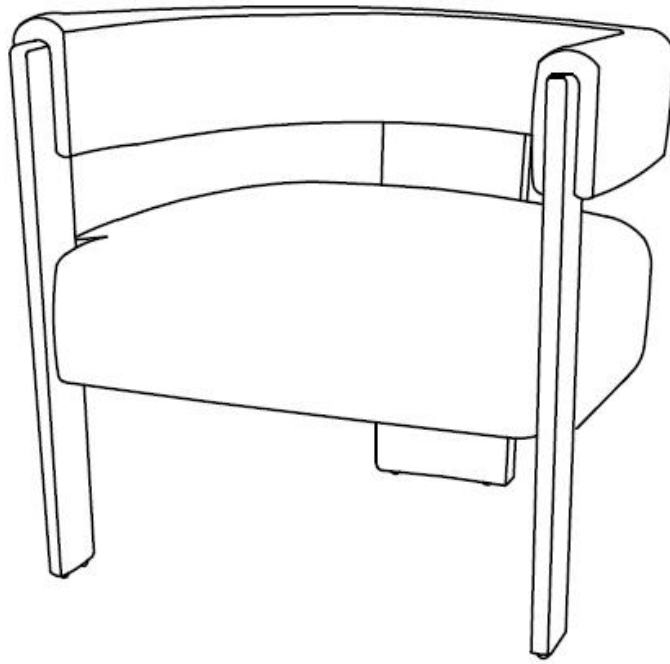
- Children should not climb or jump on the furniture.



- Dust and pick-up spills using a clean, non-colored, lint-free cloth.

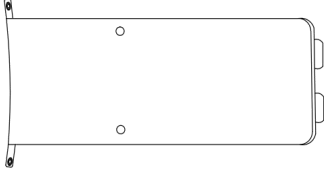
Please look in chair for hardware packs and legs.

# Chair


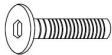





## Parts List

Label	Picture	Description	QTY
A	A line drawing of the backrest part of the chair, showing the curved top and the horizontal bar across the middle.	Backrest	1
B	A line drawing of the seat cushion part of the chair, showing its rectangular shape and slightly curved edges.	Seat Cushion	1
C	A line drawing of the left leg part of the chair, showing its L-shaped profile and two small circles representing screws or rivets.	Left Leg	1
D	A line drawing of the right leg part of the chair, showing its L-shaped profile and two small circles representing screws or rivets.	Right Leg	1

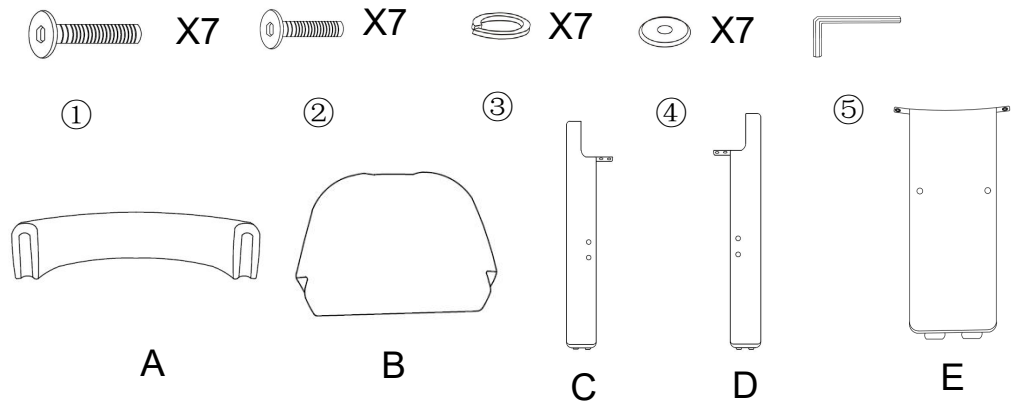
E		Back Leg	1
---	---	----------	---

# Hardware

Label	Picture	Description	QTY
①		Bolt M8X40mm	7
②		Bolt M8X20mm	7
③		Spring Washer	7
④		Flat Washer	7
⑤		Allen Wrench	1

# Assembly Preparation

Before Beginning Assembly:



- Read instructions, cover to cover-



- Have 2 adults on hand for assembly-



- Do not assemble on flooring or carpet-



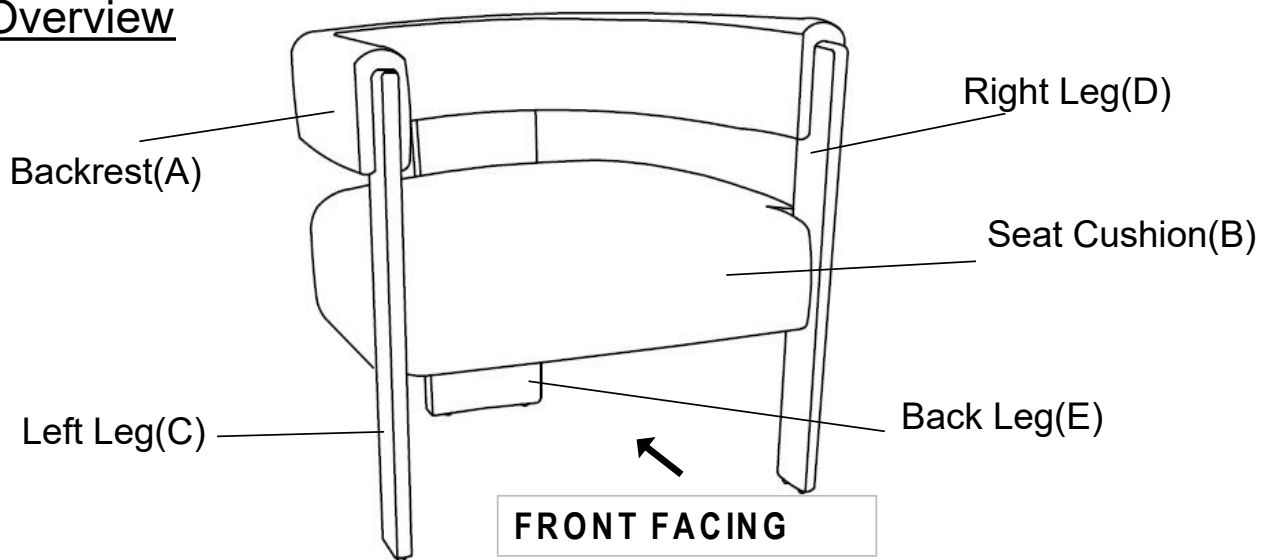
- Assemble on a clean non-marring surface (packing foam)-



- Save all packaging until finished-

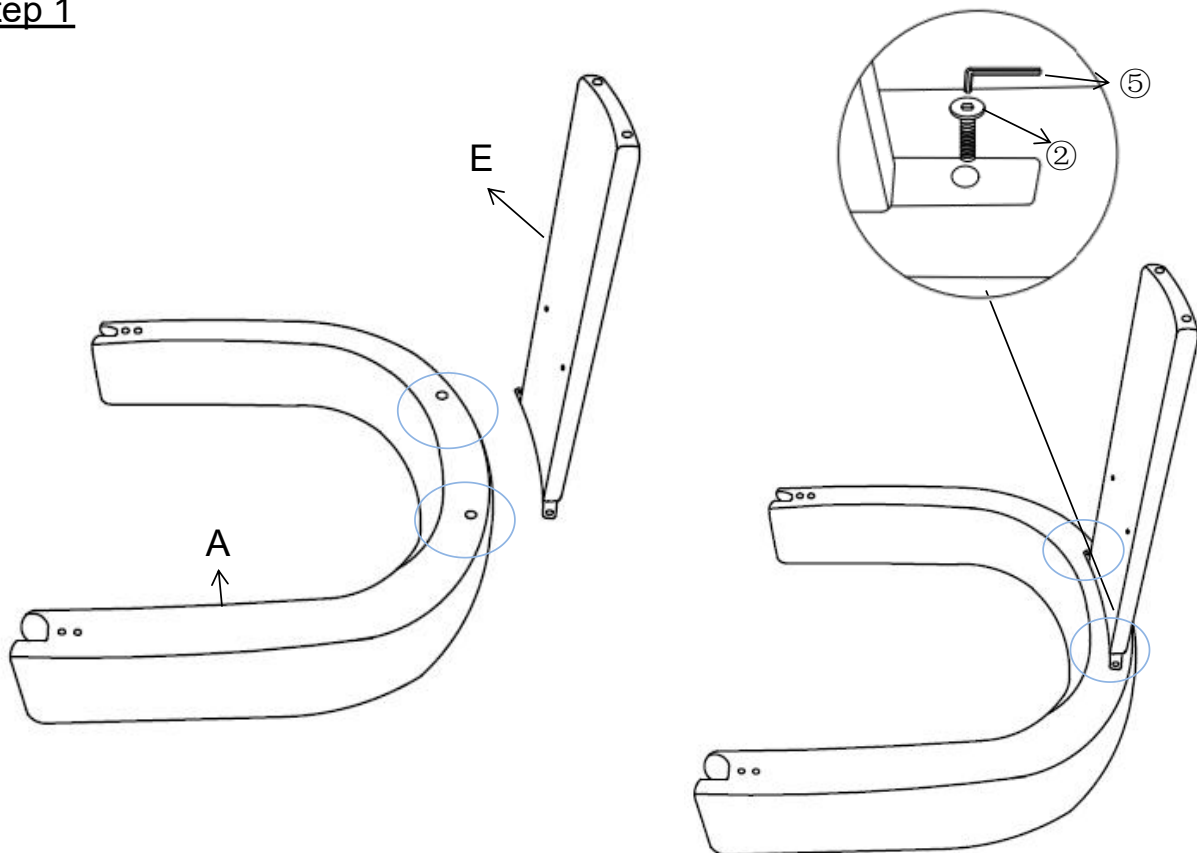
# Assembly Steps

## Overview



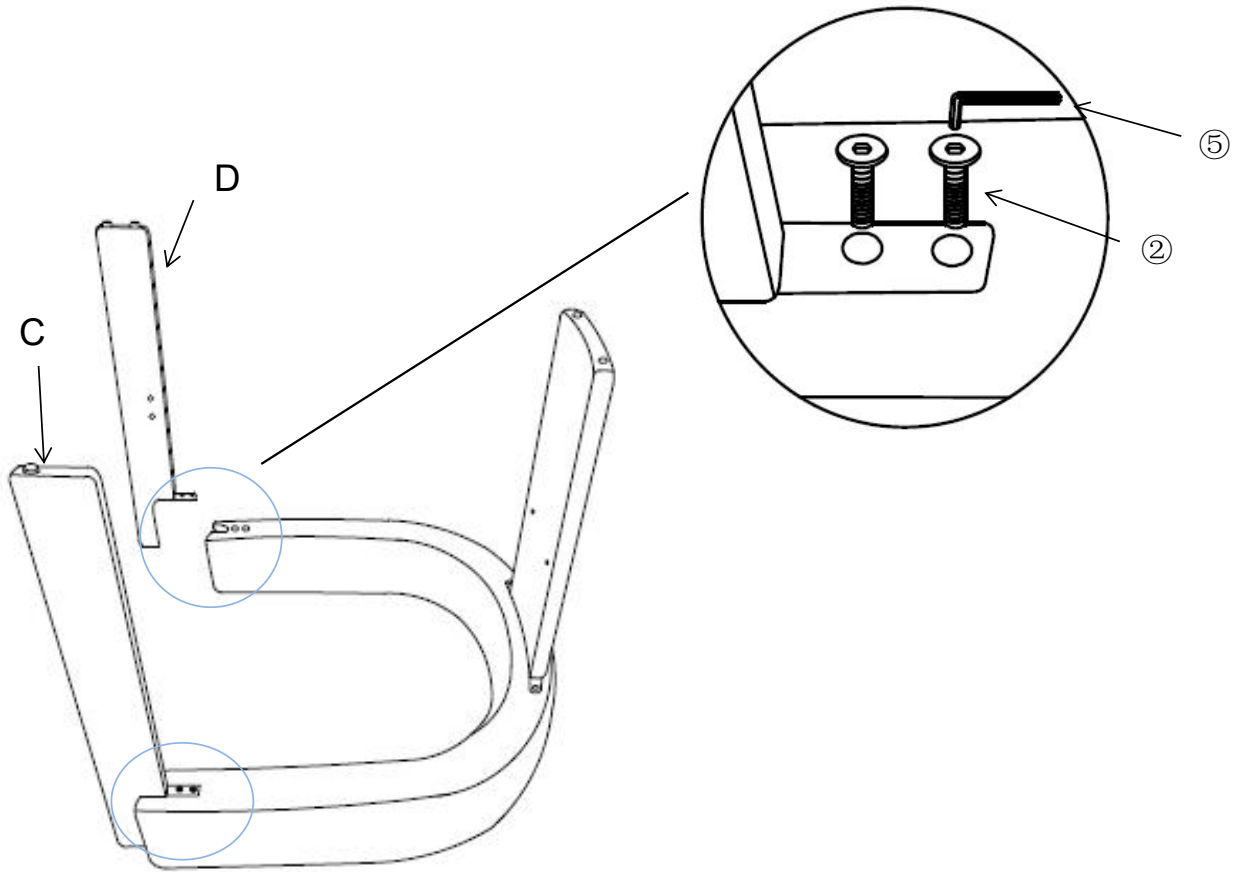
This chair has multiple parts and may require up to 30 minutes to assemble. To give you an overview of the chair parts, the above picture is provided to help you put the various parts into perspective. Please read through the instructions below to familiarise yourself with the parts and steps before assembly. Friendly reminder: Tighten all the screws after all holes are installed.

## Step 1



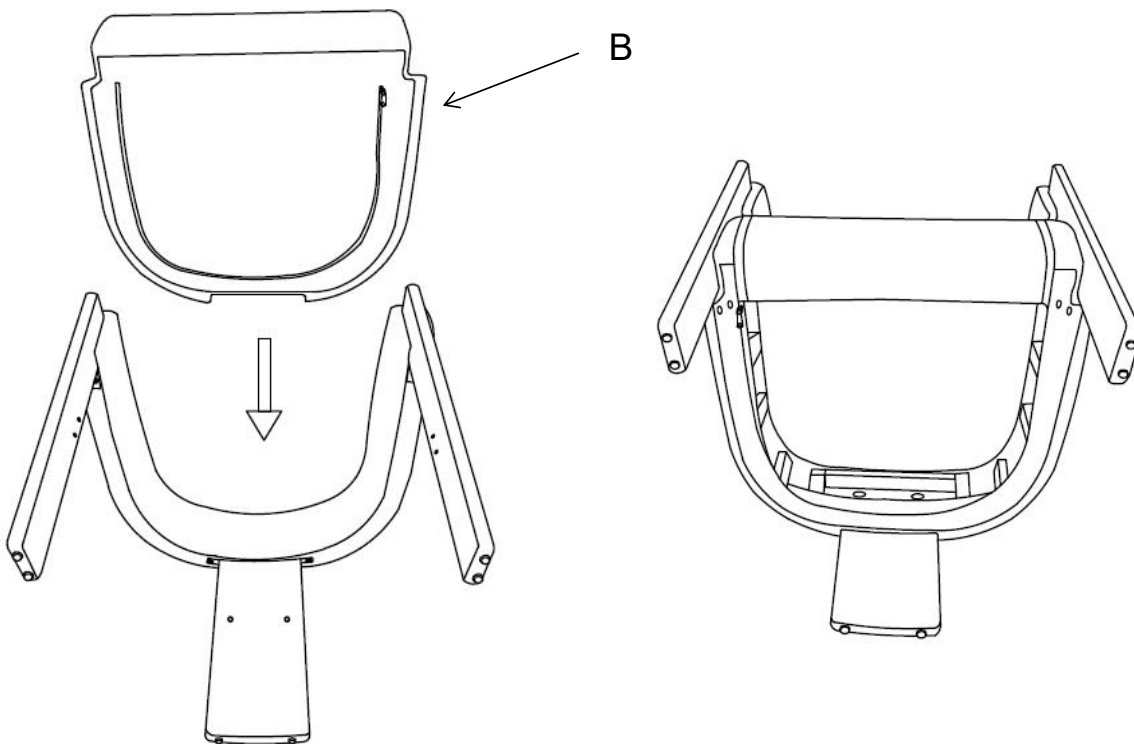
Take out the Backrest(A) and Back Leg(E) and put them upside down. The hole of Back(E) overlap to the hole of Backrest(A), then use Bolt(2) and tighten it with the Allen Wrench(5).

## Step 2



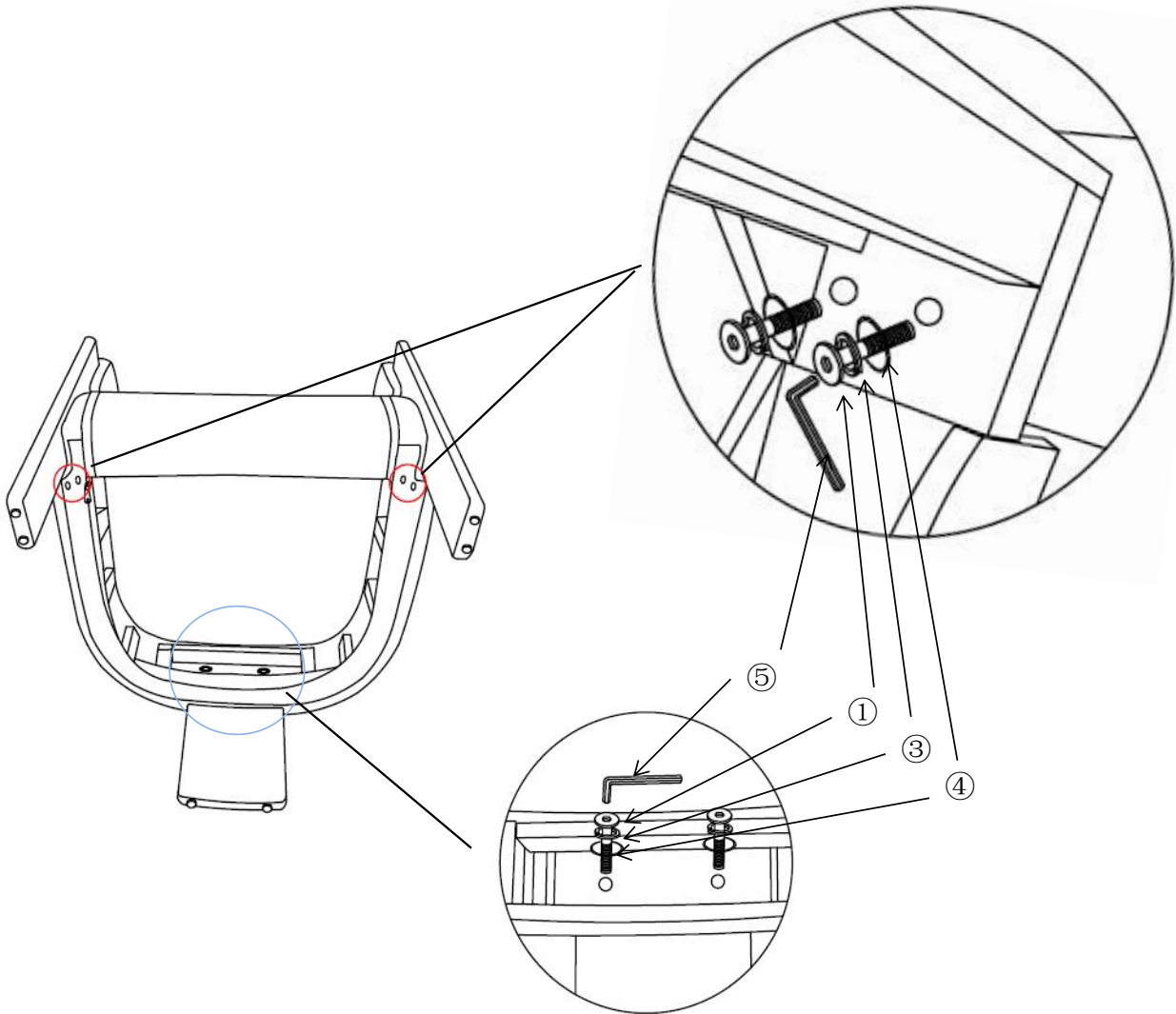
Take out Left Leg(C) and Right Leg(D), attach Right Leg(D) to the front of arm, then use Bolt(2) and tighten it with the Allen Wrench(5).  
Repeat this step to install Left leg(C).

## Step 3



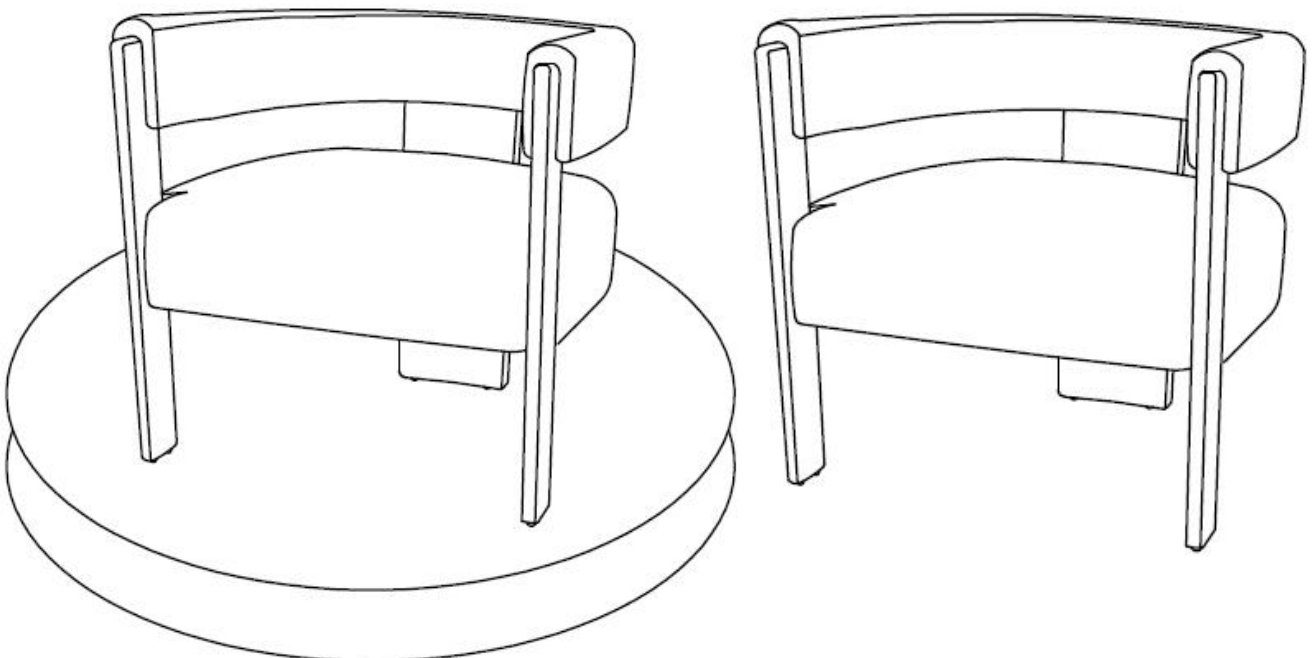
Lay the previous assembled frame flat, place Seat Cushion(B) in the direction as shown . Then unzip the bottom, the screw holes at the bottom of the cushion are exposed.

## Step 4



Using Bolt(①), Spring Washer(③), Flat Washer(④) with Allen Wrench(⑤) to fix the Seat cushion(B) to the Back leg(E). After all Bolts are in place, use Allen Wrench(⑤) to tighten all Bolts. Repeat the same process to fix the Left Leg(C) and right Leg(D). After all three legs are tightened, please zip up the bottom of the seat cushion.

## Step 5



Place the CHAIR right side up and tested for stability before it is ready for use.  
This CHAIR can only be used on a flat, level surface.