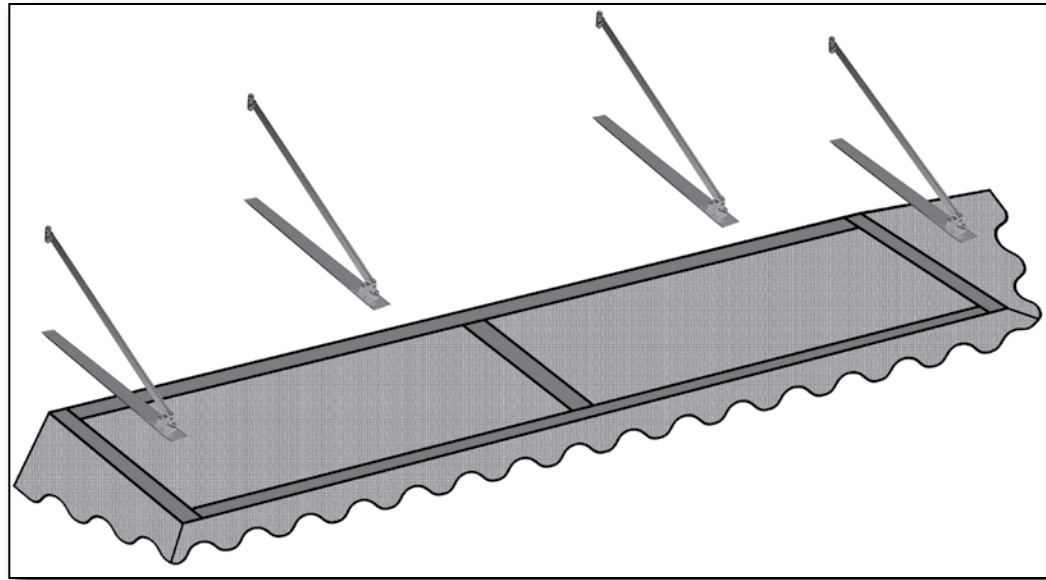


Additional Instructions for Oversized Awning/Canopy



Oversized awning above is shown 'UP-SIDE DOWN' to illustrate additional support arm placement

1

Custom oversized Awnings are generally the same as 'stock-sized' Awnings. The instructions will be mostly the same except for added Support Arm Sets to carry the weight evenly over the width of the Awning.

Additional Center Rafters, Camel Back Wall Brackets and Support Arm sets have been supplied. The additional rafters have been set to be installed in pre-punched holes.

Please refer to **assembly** instructions (Steps 3,4 & 5) in this booklet, if necessary, to assemble these additional Center Rafter/Mounting Bracket/Support Arm Sets.

The appropriately sized Mounting Bar has also been supplied, please refer to **installation** instructions in this booklet (Steps 1 & 2) for proper installation of the Mounting Bar. Follow all other instructions for assembly and installation.

Limited warranty information

Futureguard® Awnings and Canopies are manufactured under the highest standards of production, after comprehensive research and development, and will be warranted by Futureguard® to the original purchaser from date of purchase for a period of Five (5) years against the occurrence of manufacturing defects directly resulting in peeling, flaking, blistering or rusting under conditions of normal use and service, subject to the terms and conditions contained in this Limited Warranty. Futureguard® does not warrant installation nor defects caused by installation. This Limited Warranty does not cover any other defects as specified herein. This Limited Warranty does not cover any other damage or material failure resulting from, but not limited to, normal weathering, oxidation, accidental damage or intentional damage, fire or flood, windblown objects, windstorm, hail, sleet or chemical pollutants, mildew or structural defects, negligent maintenance or misuse or abuse, or any other causes or occurrences beyond the control of Futureguard®.

Normal weathering may cause any surface to oxidize, chalk, gradually fade or accumulate surface dirt or stains due to varying exposures to sunlight, weather or atmospheric conditions. The geographic location, the quality of the atmosphere and other local factors in the area, over which Futureguard® has no control, contribute to the severity of these conditions.

This Limited Warranty is void if incompatible accessory products are installed which cause defects to occur. The provisions of this Limited Warranty are the full and complete warranty policy extended by Futureguard®. This Limited Warranty shall be null and void if harmful cleaning compounds are used.

THE WARRANTY STATEMENTS CONTAINED IN THIS LIMITED WARRANTY SET FORTH THE ONLY EXPRESS WARRANTIES EXTENDED BY FUTUREGUARD®, IN LIEU OF ALL OTHER WARRANTIES, AND THE PROVISIONS OF THIS LIMITED WARRANTY SHALL CONSTITUTE THE ENTIRE LIABILITY OF FUTUREGUARD® AND THE PROPERTY OWNER'S EXCLUSIVE REMEDY FOR BREACH OF THIS WARRANTY. FUTUREGUARD® SHALL NOT BE LIABLE TO THE PROPERTY OWNER FOR INCIDENTAL OR CONSEQUENTIAL DAMAGES OF ANY KIND FOR BREACH OF ANY EXPRESS OR IMPLIED WARRANTY.

Some states do not allow the exclusion or limitation of incidental or consequential damages, so the above limitations or exclusions may not apply to you. This Warranty gives you the specific legal rights and you may also have other rights, which vary from state to state.

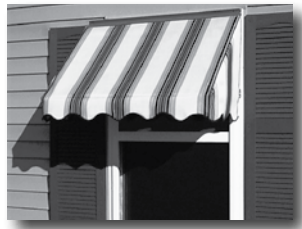


Customer Service 1-800-901-3313

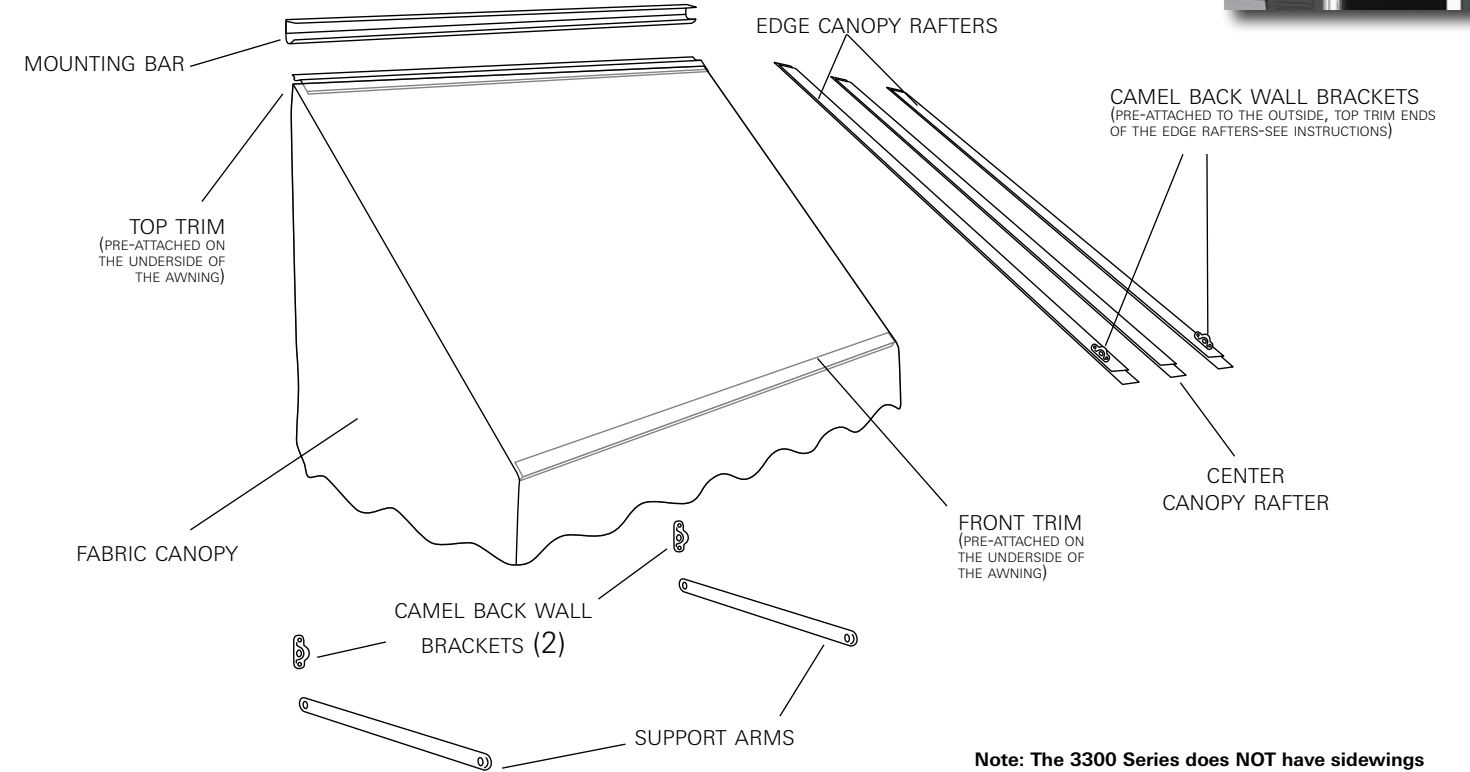


The 3300 & 3700 Series Fabric Window Awning

The 3700 Series, Shown here Installed



It is our recommendation that you read instructions carefully prior to assembly and installation



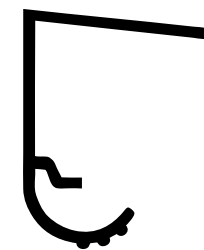
Note: The 3300 Series does NOT have sidewings

The 3300/3700 Series Parts Check List:

Note: Take inventory of all parts prior to assembly

- | | | | |
|--|--|--|---|
| <input type="checkbox"/> Fabric Canopy | <input type="checkbox"/> Edge Canopy Rafters (2) | <input type="checkbox"/> Support arms * | <input type="checkbox"/> Small Screws * |
| <input type="checkbox"/> Top Trim (attached) | <input type="checkbox"/> Center Canopy Rafter * | <input type="checkbox"/> Camel Back Wall Brackets * | <input type="checkbox"/> Large Screws * |
| <input type="checkbox"/> Front Trim (attached) | <input type="checkbox"/> Mounting Bar | <input type="checkbox"/> Machine Screws (its tip is flat)* | *Quantities vary by awning size |

Actual Size - End Views of Awning/Canopy parts for easy reference and assembly:



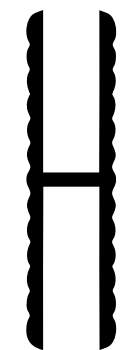
Mounting Bar



Top Trim

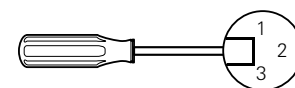


Front Trim

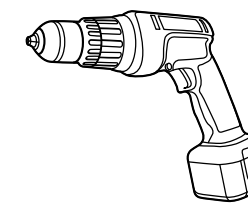


Edge & Center Canopy Rafter

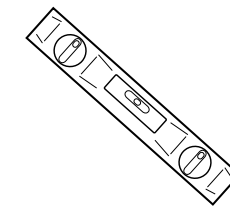
Required Tools:



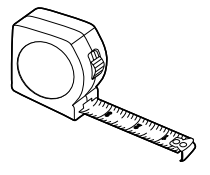
Phillips, Regular & Hex head Screw Drivers or Drill Bits



Power Drill



Level



Tape Measure

Assembly Instructions

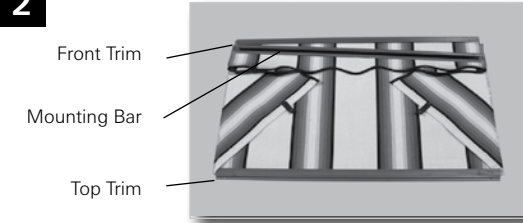
The 3300/3700 Series Fabric Window Awning

1



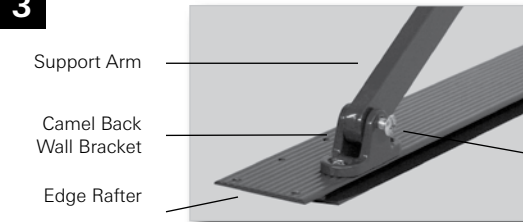
The 3300/3700 series Fabric Window Awning comes packaged in two separate plastic bags one with the hardware & instructions and in the other the Awning with three frame pieces, a Mounting Bar, Top Trim & Front Trim - (for your convenience the Front Trim & Top Trim frame parts are already attached to the Awning).

2



The 3300/3700 will come rolled with the top or outside rolled to the inside. Unroll the Awning, {The **Mounting Bar**, rolled inside the Awning will be used in Step 1 of the installation instructions, set it aside for now}. Open the sides, then flip the whole Awning over. The Awning will be assembled from this position, **upside** (or topside) **down** and inside or underside UP. Notice, as mentioned above, the top trim and front trim frame pieces are already attached.

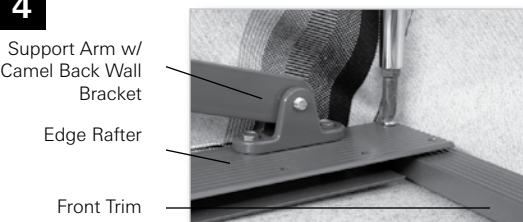
3



Attach one end of one of the **Support Arms** to the **Edge Rafter** by inserting it into the **Camel Back Wall Bracket** that is already mounted on the Edge Rafter using a machine screw.

Note: Insert the machine screws through the **Camel Back Wall Bracket** and **Support Arms**, as shown, from the **outside in** toward the Awning.

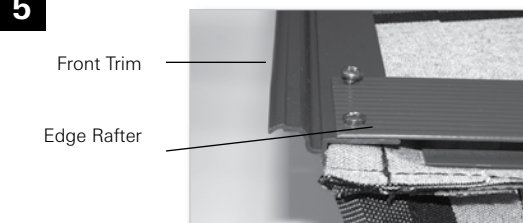
4



Attach one **Edge Rafter** to the **Front Trim** using small screws in pre-punched holes - the Front Trim is behind the Valance on the inside of the Awning and is pre-attached.

Note: Be sure to position the Edge Rafters so that the ends with the attached Camel Back Wall Bracket / Support Arm is toward the outside and at the front of the Awning connecting to Front Trim.

5



Attach the other end of the **Edge Rafter** to the **Top Trim** on both sides using two small screws in pre-punched holes.

Repeat steps 3,4 & 5 for the second Support Arm and secure the other Edge Rafter on the other side of the Awning.

6



Position the **Center Rafter** in the center of the Awning and align with pre-punched holes at the front trim & the top trim. Then, fasten the Center Rafter to the **Front Trim 1st** and then the **Top Trim** with two small screws at each end. (as shown in Step 6 details)

Picture Inserts: The Fabric Awning is turned vertically to show placement of Center Rafter with attachment details to the Front Trim & Top Trim.

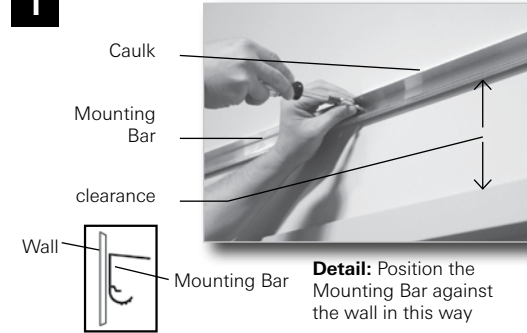
The 3300/3700 Series Fabric Window Awning is now ready for installation.

The 3300 Series,
Shown here installed



Installation Instructions

1



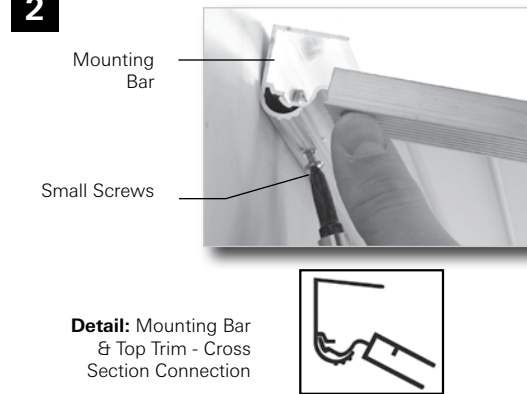
Install Mounting Bar with large screws above the window.

Be sure the bar is level and centered over the door opening. Screws must be in studs or heavy sheathing. (Drill alternate holes in bar if necessary)

Please refer to Step 1 detail to place the Mounting Bar correctly on the wall.

! **Caulk the top of the mounting bar against the house.**

2



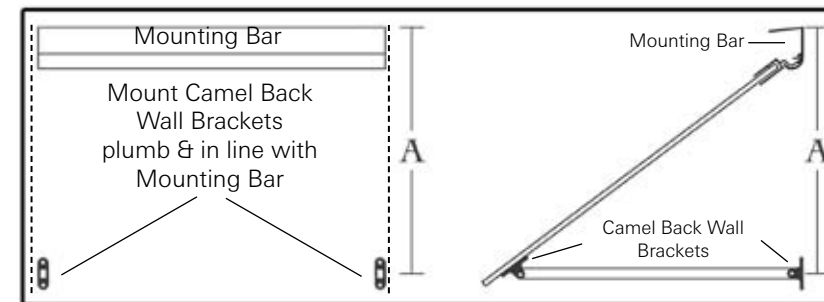
Flip the Awning over to its installed position (as shown above) then lift the Awning up and angle the Top Trim insert into the Mounting Bar and let it down slowly. It will rest here locked in place while you secure it. (please refer to Step 2 Detail for cross section diagram)

Secure the Mounting Bar & the Top Trim together with small screws in pre-punched holes from underneath.

! **Apply a bead of caulking in the trough of the mounting bar prior to the awning's top trim placement into the mounting bar.**

3

(Front) - Awning Frame Views - (Side)



Attach the (2) two loose Camel Back Wall Brackets, temporarily, to the other end of the Support Arms using a machine screws.

Before securing Support Arms with Camel Back Wall Brackets to your house please refer to the mounting chart here for model number and correct mounting points for your Awning.

Note: Mounting dimension 'A' is measured from the top of the Mounting Bar to the center of the Camel Back Wall Bracket -shown at left.

| WINDOW AWNING MOUNTING CHART | | | | | |
|------------------------------|---------|---------|---------|---------|---------|
| MODEL NUMBER | 4 | *5 | 6 | 7 | 8 |
| MOUNTING POINT | 13 3/4" | 17 1/2" | 21 3/4" | 26 1/2" | 31 3/4" |

* All stock awnings are model number 5
All mounting points are approximate

Now attach mounting brackets to the house using large screws making sure the Camel Back Wall Brackets are secured in solid sheathing at the proper points from the reference chart. Use a level for proper alignment of the support arm.

4



After Camel Back Wall Brackets have been secured to the house, remove the machine screws and re-insert them through grommets tabs on your awning to secure the Awning sides and screw them back into the camel back wall brackets.

Installation is now complete.