

## Features

- 36" minimum base cabinet width.
- Large/medium bowls.
- 9" (229 mm) depth provides generous workspace.
- Single faucet hole.
- An integrated faucet deck provides additional water containment.
- Smart Divide® feature offers a lower bowl divider that increases workspace versatility.
- Includes two bottom sink racks, walnut cutting board, and colander.
- Sink drain with strainer sold separately.

## Material

- KOHLER® enameled cast iron.

## Installation

- Undermount installation kit not included.
- Undermount.

## Recommended Products/Accessories

K-6163 Right-Bowl Sink Rack  
K-6164 Left-Bowl Sink Rack  
K-8801 Sink drain and strainer with tailpiece  
K-8799 Sink drain and strainer basket  
K-11352 Disposal Flange with Stopper  
K-9000 P-Trap  
1411886  
K-23726 Drain treatment  
K-23725 Cast iron cleaner

## Included Components

Additional Components:

6163  
6164  
6165  
6166

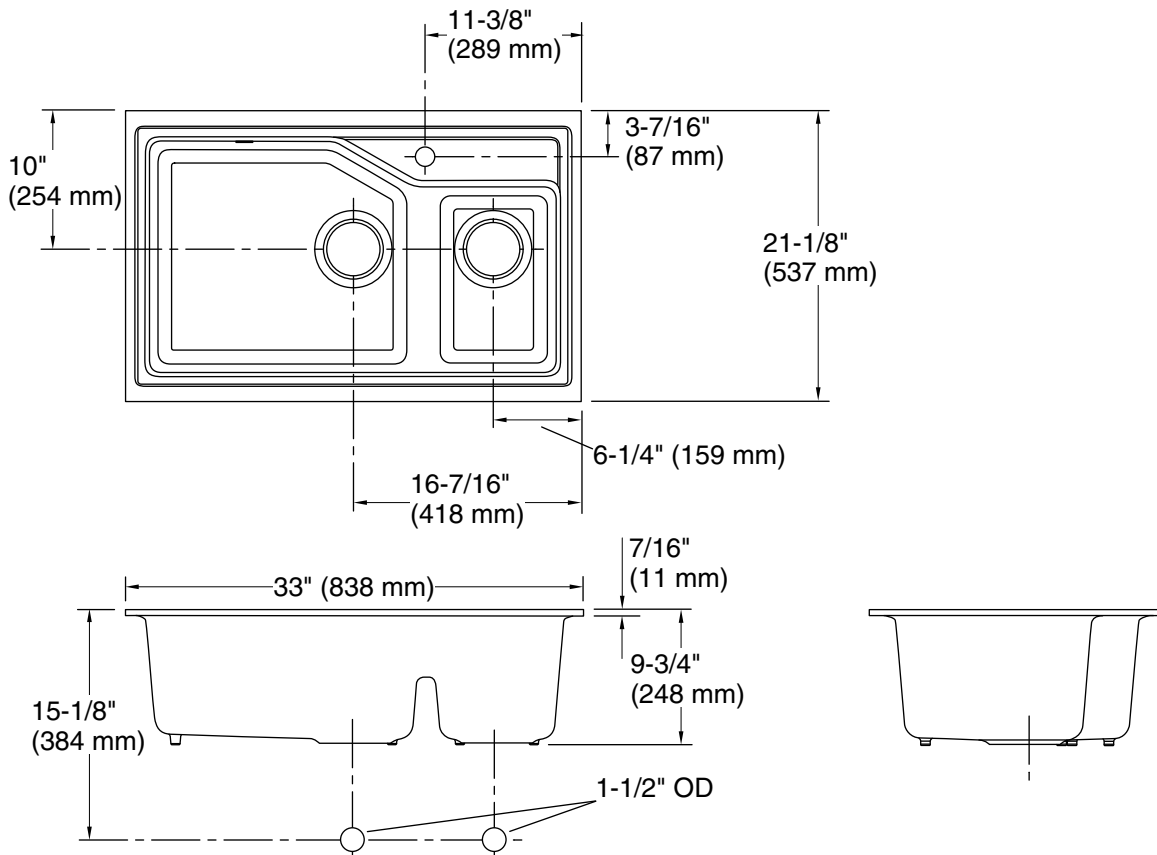


## Codes/Standards

ASME A112.19.1/CSA B45.2

## KOHLER® Enameled Cast Iron Kitchen and Bathroom Sink Lifetime Limited Warranty

See website for detailed warranty information.



## Technical Information

All product dimensions are nominal.

Installation:	Undermount
Min. base cabinet width:	36" (914 mm)
Bowl area (Left):	Length: 18-15/16" (481 mm) Width: 16-3/4" (425 mm) Bowl depth: 9" (229 mm) Water depth: 9" (229 mm)
Bowl area (Right):	Length: 8-11/16" (221 mm) Width: 13-1/2" (343 mm) Bowl depth: 9" (229 mm) Water depth: 9" (229 mm)
Number of deck holes:	1
Faucet hole(s):	1-3/8" (35 mm)
Drain hole:	3-7/8" (98 mm)
Template:	1106715-7, required, included

## Notes

Install this product according to the installation instructions.

**NOTICE:** The countertop manufacturer or cutter must use the cut-out template provided with the product, or a current one provided by the Kohler Co. (Call 1-800-4-KOHLER.) Kohler Co. is not responsible for cut-out errors when the incorrect cut-out template is used.