

# INSTRUCTION MANUAL

---



# IMPORTANT WARRANTY INFORMATION

## PLEASE READ CAREFULLY

**AFTER-SALES EMAIL: [hello@larksperalhome.com](mailto:hello@larksperalhome.com)**

All items can be returned or replaced for any reason within 30 days of the receipt as long as the item is returned in its original product packaging and all accessories from its original shipment are included.

---

### **About Replacement:**

If there are missing parts or damage when you receive the item, you don't need to return it. If you want to replace it, please contact the after-sales team (**After-sales Team Email: [hello@larksperalhome.com](mailto:hello@larksperalhome.com)**) and we will provide a replacement for free.

---

### **About Returns:**

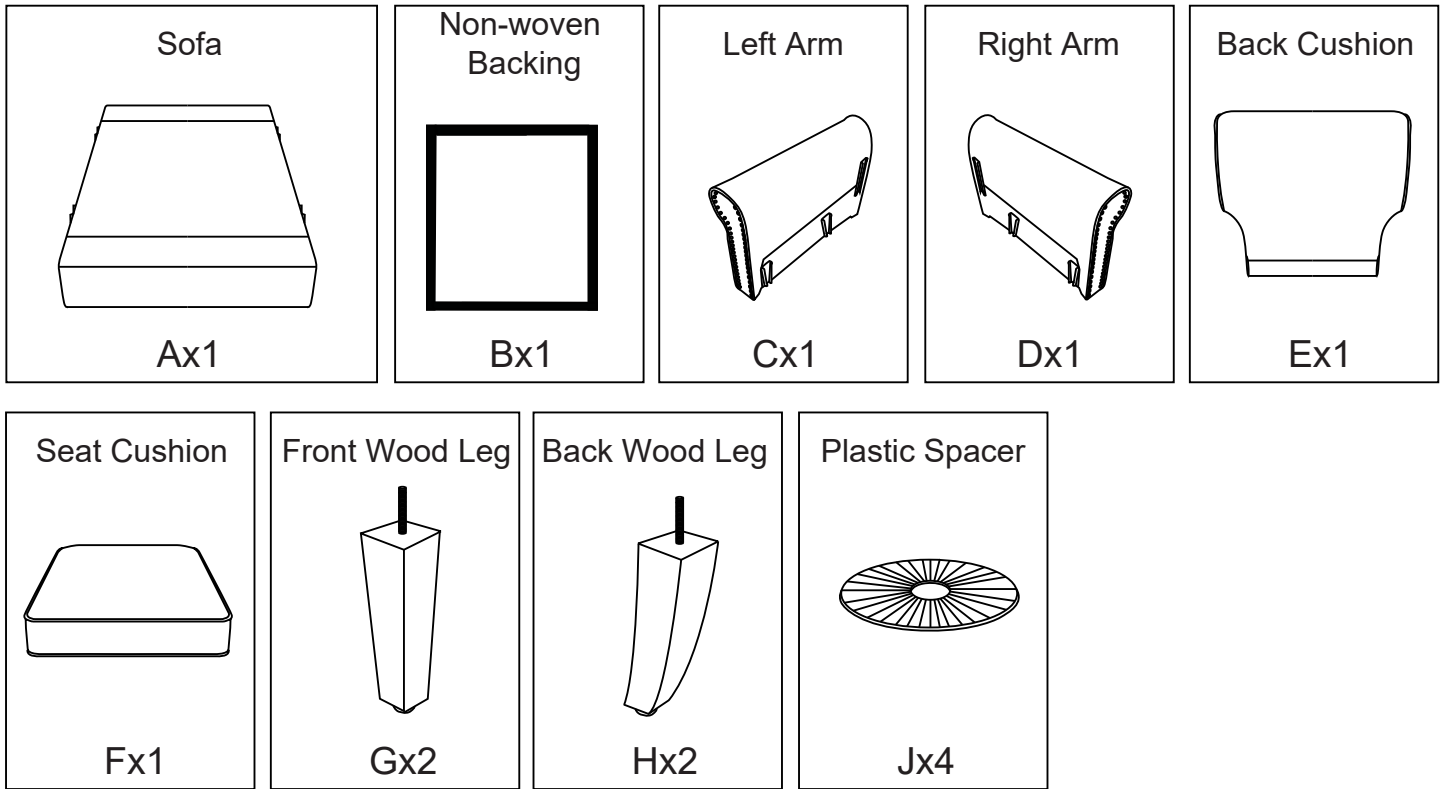
1. If you need to return and the reason for return is a result of an error by the Seller, please contact the after-sales team (**After-sales Team Email: [hello@larksperalhome.com](mailto:hello@larksperalhome.com)**) and we will provide a prepaid return label by E-mail. Please include a brief description of the problem and photos of the damaged product in your email.
2. **Please Note: If the customer does not contact the after-sales team to provide a return label, the customer purchases the return label by themselves, which may incur expensive return shipping charges.**
3. If the product is damaged by the customer, we have reason to refuse to provide a prepaid return label, and the customer will need to pay for the return shipping.
4. Boxes for return shipping will not be provided by the seller and is the customer's responsibility to either use the original shipping boxes, or purchase new boxes if no boxes.
5. After all returned items arrive at Return Center, please contact the After-sales team and we will fully refund back to the original payment method.

---

### **WARRANTY:**

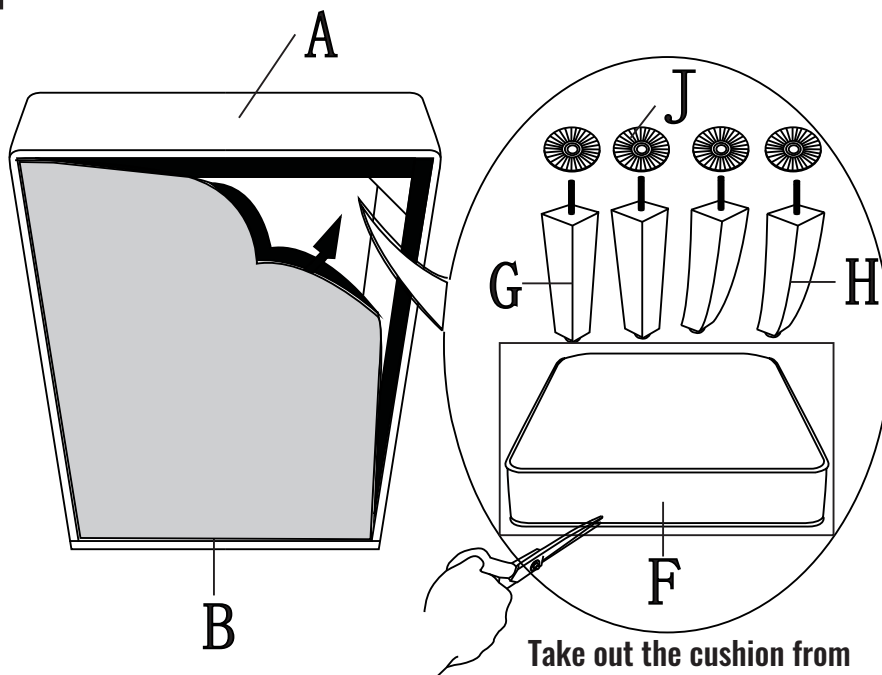
Please keep the aftermarket card. If the product is damaged by non-humans within half a year, please contact our after-sales team.

# COMPONENTS



## ASSEMBLY INSTRUCTION

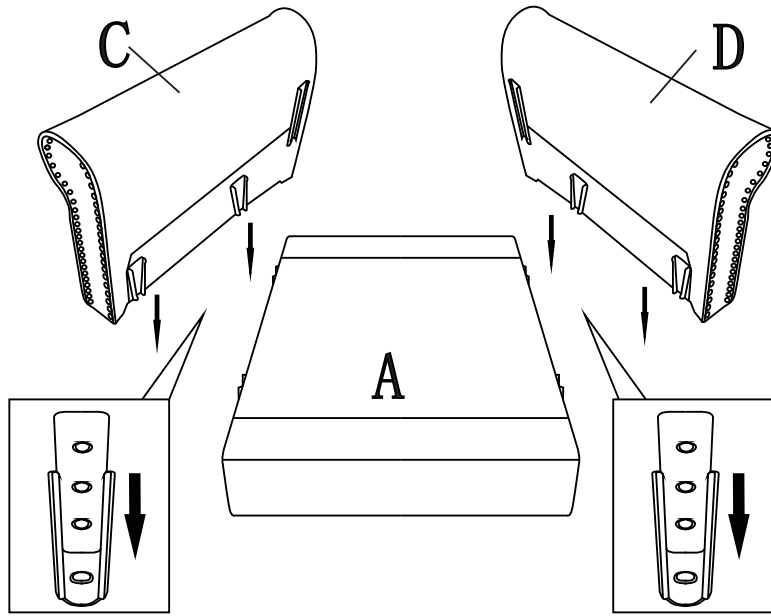
Step 1.



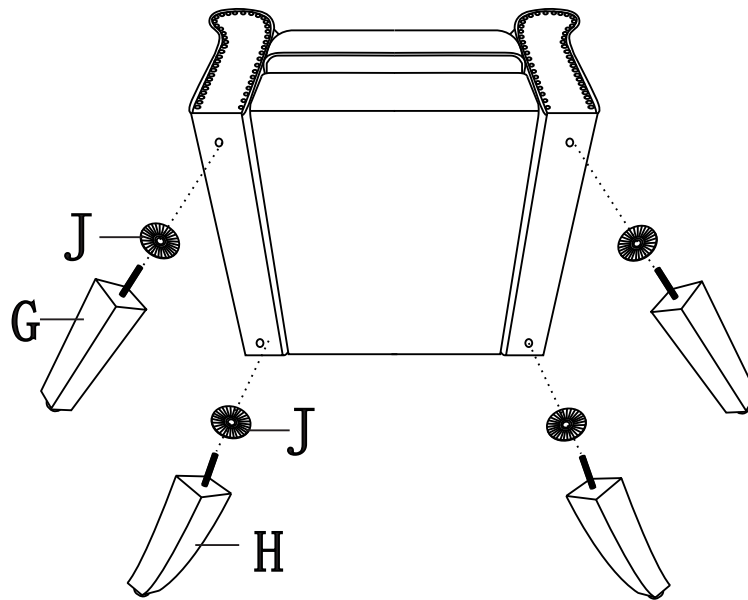
Please open the Non-woven Backing on the bottom, pick up all the items in it and check.

Take out the cushion from vacuum package.

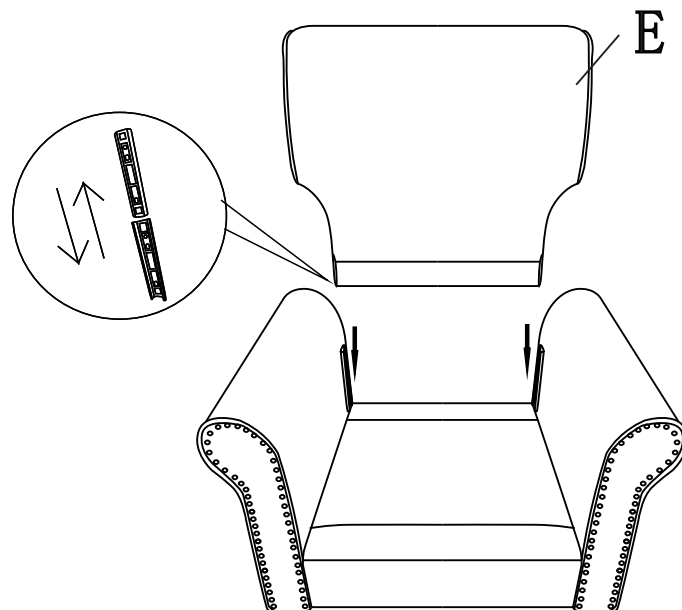
Step 2.



Step 3.



Step 4.



Step 5.

