



# PRISM LUX

## SHOWER ENCLOSURE INSTALLATION INSTRUCTIONS

### IMPORTANT

DreamLine® reserves the right to alter, modify or redesign products at any time without prior notice. For the latest up-to-date technical drawings, manuals or additional details please refer to your model's web page on [DreamLine.com](http://DreamLine.com)

### Model #s

SHEN-2234340-##

SHEN-2236360-##

SHEN-2238380-##

SHEN-2240400-##

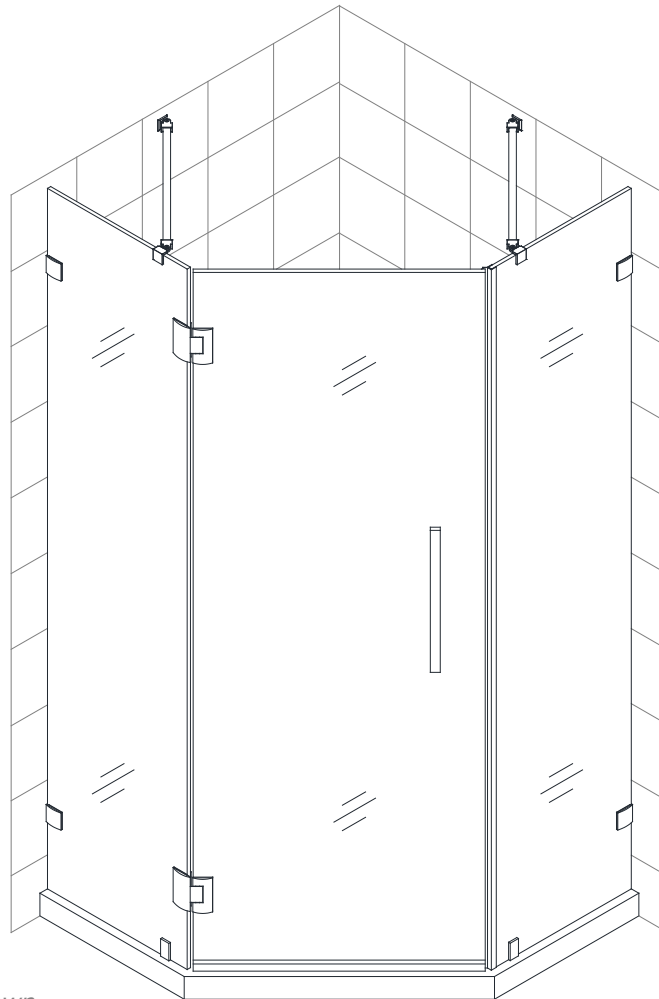
### ##=Finish

-01- Chrome

-04- Brushed Nickel

-06- Oil Rubbed Bronze

-09- Satin Black



*Left hand swing installation shown*

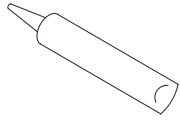
**Please read these instructions carefully before installing. If you have any questions regarding installation, please contact our technical support specialists Monday through Friday 8:00 AM – 7:00 PM EST at Phone: [1-866-731-2244](tel:1-866-731-2244), Fax: [1-866-857-3638](tel:1-866-857-3638) or e-mail our technical support group at [Support@DreamLine.com](mailto:Support@DreamLine.com)**

**For more information about DreamLine® products please visit [DreamLine.com](http://DreamLine.com)**

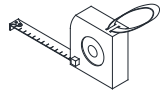
## **Preparation**

1. Prior to installation, examine all boxes and packages for shipping damage and compare the piece count with your packing slip. After opening all boxes and packages read this introduction carefully. Check that all of the needed parts are included in the package by checking off the components on the "Detailed Diagram of Shower Door Components". If the unit has been damaged, has a finishing defect, or has missing parts, please contact our customer support department within **3 business days** of the delivery date. Please note that **DreamLine® will not replace any damaged products or missing parts free of charge after 3 business days or if the product has been installed.** Feel free to contact DreamLine® if you have any questions, and please provide an order number, job name or other proof of purchase to help us identify your original order.
2. If this unit is going to be installed in a new construction, please, install all of the required plumbing and drainage before installing the shower. **Use a competent and licensed (if required by local code) plumber for all plumbing installation.**
3. **Please note that you should consult your local building codes with questions about installation compliance standards. Building and plumbing codes may vary by location, and DreamLine® is not responsible for code compliance standards for your project and will not accept any returns.**
4. Please make sure that prior to beginning the installation, the surfaces are leveled and solid and will be able to support the total weight of the unit. Also make sure the walls are at right angles. Irregular installation surface level, radius corners or improper angle of side walls will result in serious problems for your installation. Please, note that some adjustments and drilling may be necessary during the installation process.
5. Please protect all primary surfaces of the product during installation. Never set your glass down directly onto a tile floor. Leave corner protectors in place until necessary to remove them. Always use a piece of wood or cardboard to protect the bottom edge and corners of the glass prior to and during installation.
6. This unit must be installed upon a finished threshold and against finished walls.
7. **This model does NOT have any adjustment for out of plumb conditions. Verify that your walls are plumb before proceeding with the installation.**
8. **This model requires that you drill into the threshold for proper installation.**
9. **This model requires a minimum 1-1/2" of flat threshold space for installation.**
10. **NOTE:** This model is reversible for left- or right-hand swing installation. This manual will show the left-hand swing installation. For a right-hand swing installation, simply begin on the opposite wall and reverse the orientation of the parts as necessary.

## Tools Required



Caulk



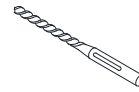
Tape Measure



Pencil



Phillips Screwdriver



Drill bit (Ø=5/16")



Drill bit (Ø=1/8")



Level



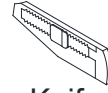
Caulk Gun



Electric Drill

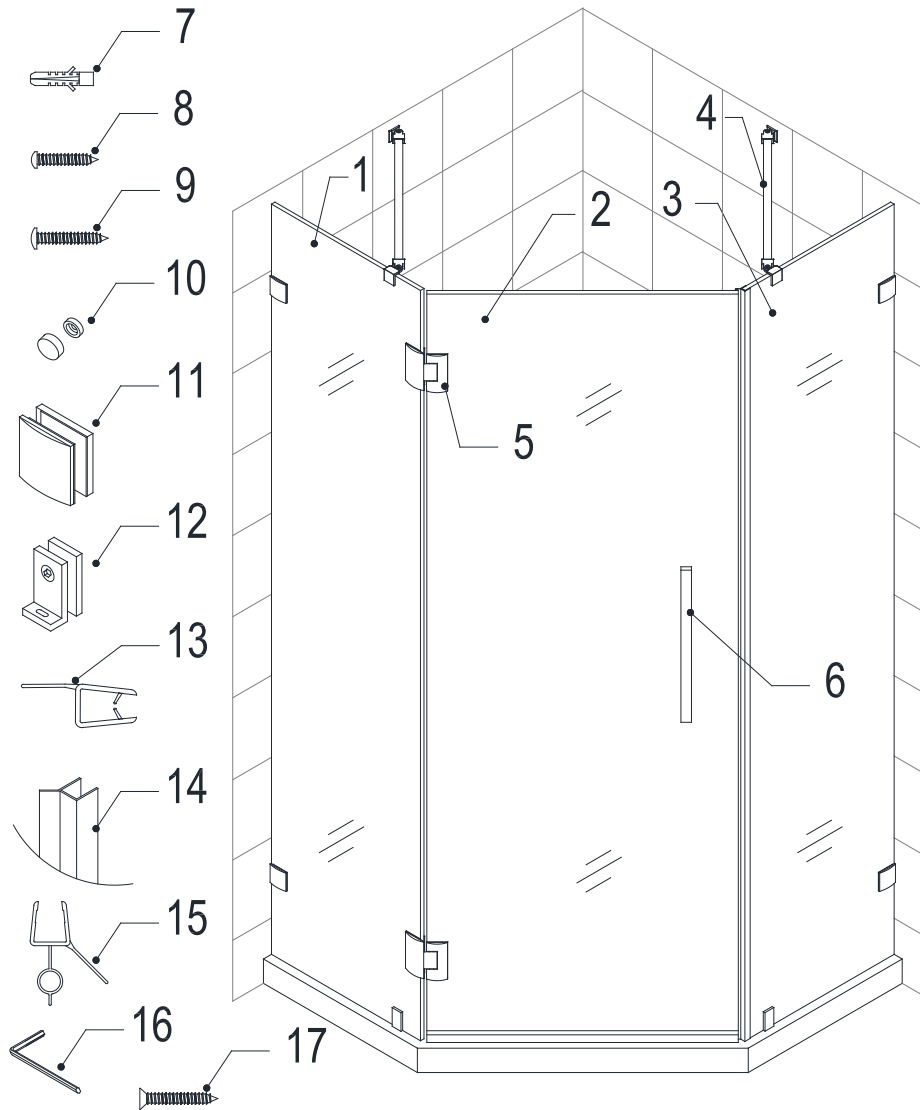


Hammer



Knife

## Detailed Diagram of Shower Enclosure Components



### Packing List

01	Stationary glass hinge side	1pc	10	Decorative cover	2pcs
02	Glass door	1pc	11	Wall bracket	4pcs
03	Stationary glass	1pc	12	Bottom bracket	2pcs
04	Support bar	2pcs	13	Side strip (3 sections to cut)	1pc
05	Hinge	2pcs	14	Anti-water strip	1pc
06	Handle	1pc	15	Bottom anti-water strip	1pc
07	Wall anchor	6pcs	16	Allen Key	1pc
08	Round head Screw ST4.2×25	2pcs	17	Countersunk screw ST4.2x40	2pcs
09	Round head screw ST4.2×55	4pcs			

**NOTE:** Unpack your unit carefully and inspect it. Identify all parts using the detailed diagram and packing list in this manual as a reference. Before discarding the carton, check for small hardware bags that may have fallen to the bottom of the box. If any parts are damaged or missing, please contact DreamLine® for replacement. The shipping boxes may contain extra parts not used in your model configuration.

**NOTE:** Retain these installation instructions for future reference.

# Shower Enclosure Installation

1. Assemble the **Wall brackets (11)** onto the **Stationary glass hinge side (01)** and the **Stationary glass (03)**.

See Fig. 1 and Fig. 2 for details.

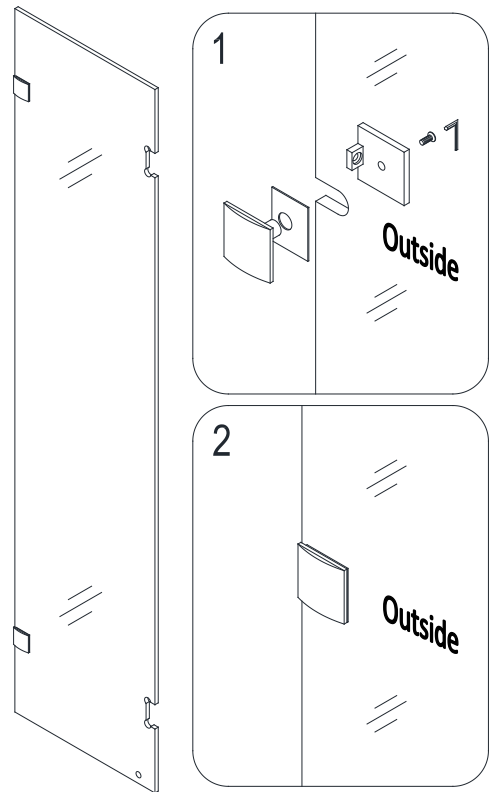


Fig. 1

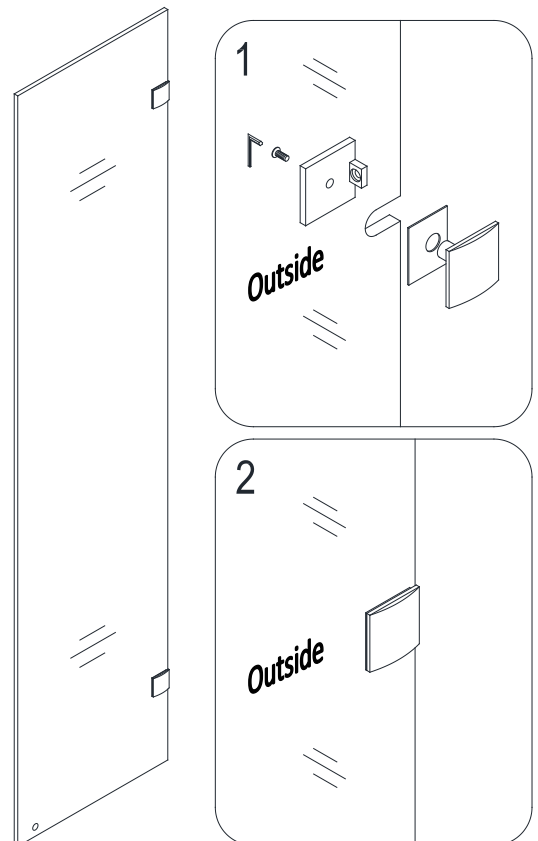


Fig. 2

2. Draw a line on the wall according to your Shower Enclosure model size.

Product specifications:

<i>Measured from the finished corner to the outside edge of the glass</i>		
<b>Model No</b>	<b>W1</b>	<b>W2</b>
SHEN-GL2211-343410	34 3/8"	34 3/8"
SHEN-GL2211-363610	36 3/8"	36 3/8"
SHEN-GL2211-383810	38"	38"
SHEN-GL2211-404010	40 3/8"	40 3/8"

See Fig. 3 for details.

Measure to the proper dimension for the model size at the bottom and draw a plumb line up from there.

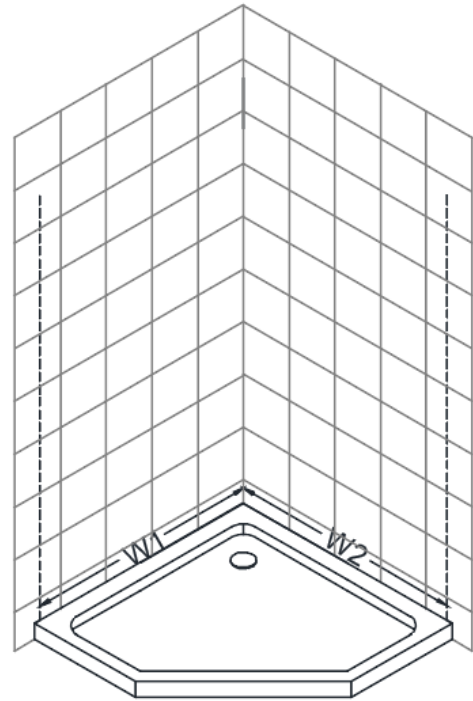


Fig. 3

3. Place the **Stationary glass (01)** and **(03)** onto the Shower base, position against the wall and level vertically.

See Fig. 4 for details.

**Note:**

- Measure from the finished corner to the outside of the glass as shown. Use the dimensions in the table in Step#2.
- The stationary glass must be installed at the correct dimensions for your model size
- Make sure the **Stationary glass** is plumb and level.

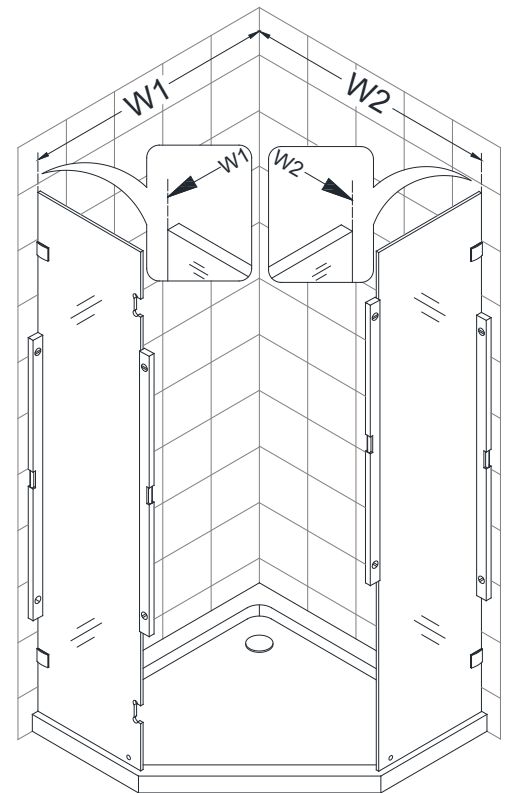


Fig. 4

4. Outline the position of the **Wall brackets (11)** on the wall.

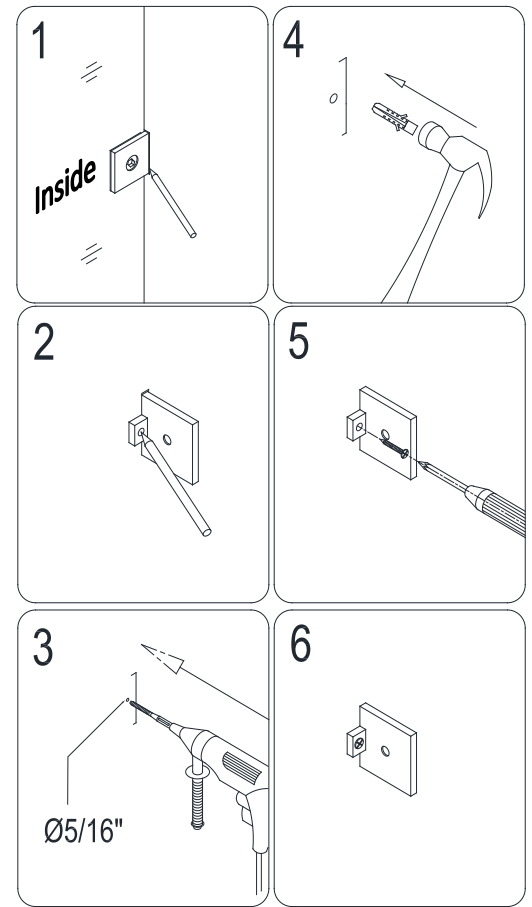
Set both lites of **Stationary glass (01), (03)** aside.

Remove the **Wall brackets (11)** from the **Stationary glass** and place them back in position with the outlines to mark the holes for drilling on the wall.

Drill the holes in the wall using a  $\text{Ø } 5/16''$  drill bit and insert the **Wall anchors (07)** for the **Wall brackets**.

Fasten the **Wall brackets (11)** to the wall using the **Round head screws ST4.2×55 (09)**.

See Fig. 5 for details.



5. Place the **Stationary glass (01)** and **(03)** back into the designated position, assemble the **Wall brackets (14)** and tighten the bolts. Be sure to use the gaskets to protect the glass.

See Fig. 6 and Fig. 7 for details.

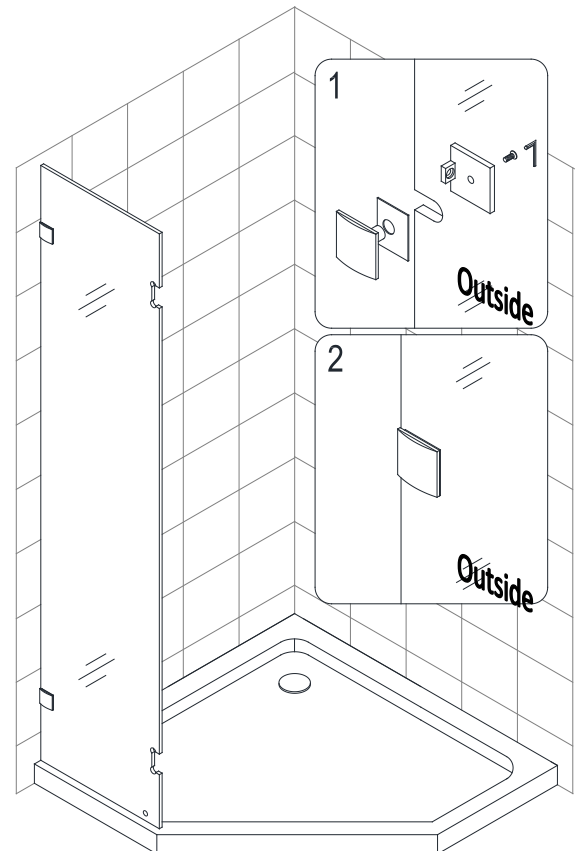


Fig. 6

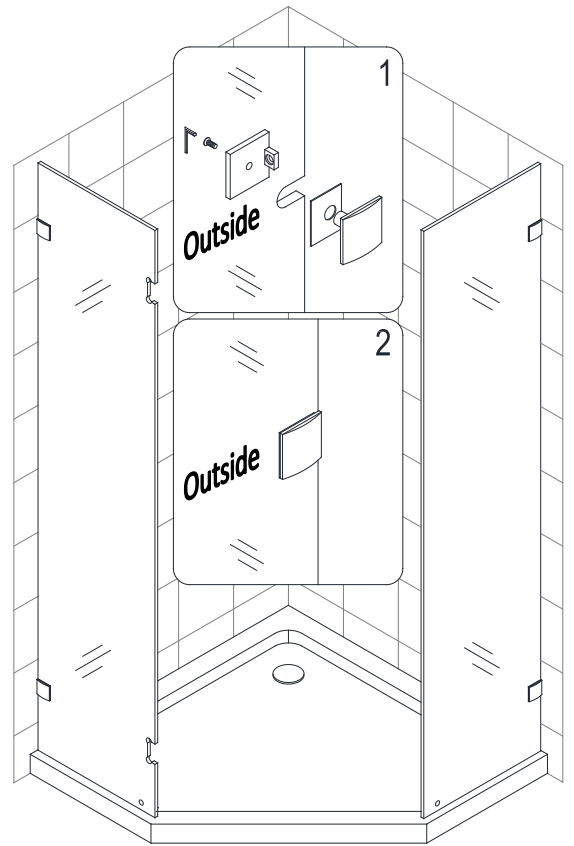


Fig. 7

6. Locate the **Support bar (04)**.

Position the **Support bar (04)** at an angle (ideally 45°) between the glass and the wall. Level it horizontally. Hold it firmly and outline the bracket's position on the wall. Remove the **Support bar (04)** and detach the wall bracket from it. Place the wall bracket against its outlined position on the wall and mark the drilling hole.

Drill the hole using a  $\text{Ø } 5/16''$  drill bit, insert the **Wall anchor (07)** and fasten the wall bracket to the wall with the **Countersunk screw ST4.2×40 (17)**. Attach the **Support bar (04)** to the wall as shown on Fig. 8.5 and tighten the set screws and the glass holding screw to secure the glass.

Be sure gaskets are in place to protect the glass.

Repeat these steps for the other **Support bar (04)**.

See Fig. 8 and Fig. 9 for details.

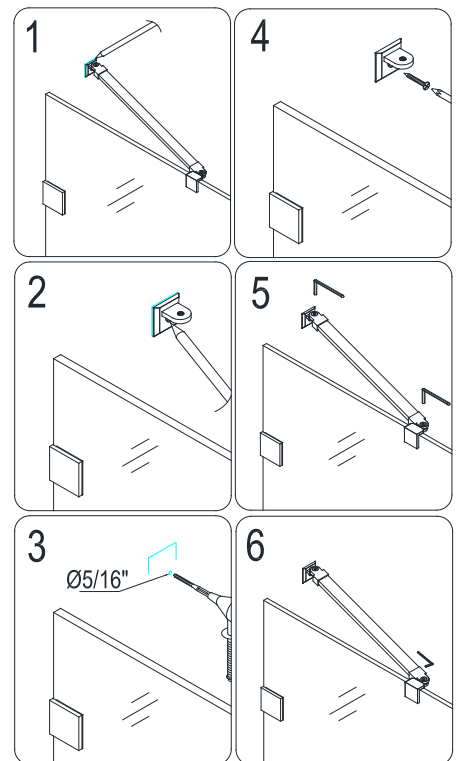


Fig. 8



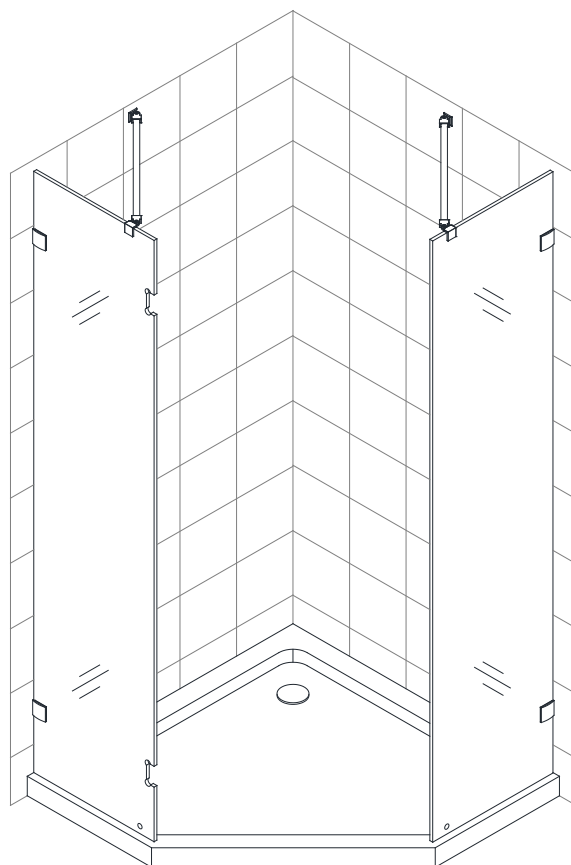


Fig. 9

- Attach the **Hinges (05)** to the **Stationary glass hinge side (01)** with the decorative bolts facing inside the shower. Carefully bring the **Glass door (02)** into the Shower between the two stationary panels. Level up the **Glass door (02)** next to the **Stationary glass hinge side (01)** and fasten the hinges onto the **Glass Door (02)**. Make sure the top edges of the **Glass door (02)** and the **Stationary glass hinge side (01)** are aligned.

See Fig. 10 and Fig. 11 for details.

**NOTE: Use a 13/16" shim beneath the door glass to help align the door glass with the hinges and to protect the threshold and the bottom of the door glass from damage. Leave the shims beneath the door glass until the silicone securing the hinge panel has fully cured.**

**NOTE: DO NOT** install the handle onto the door glass until instructed to do so. **DO NOT** lift the glass using the handle. This could result in damage to the glass and/or serious personal injury. Always use an assistant or a professional grade glass suction cup when handling heavy glass.

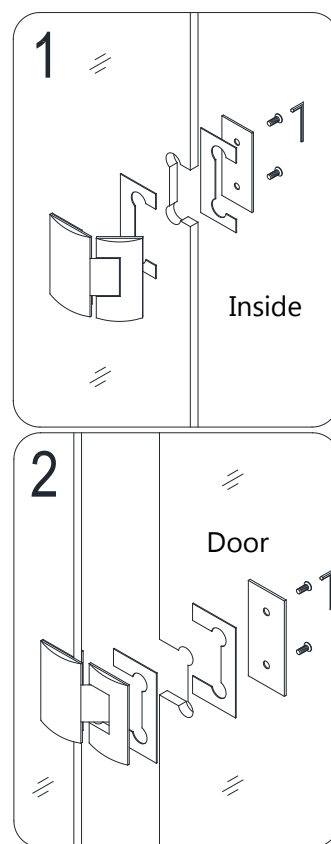


Fig. 10

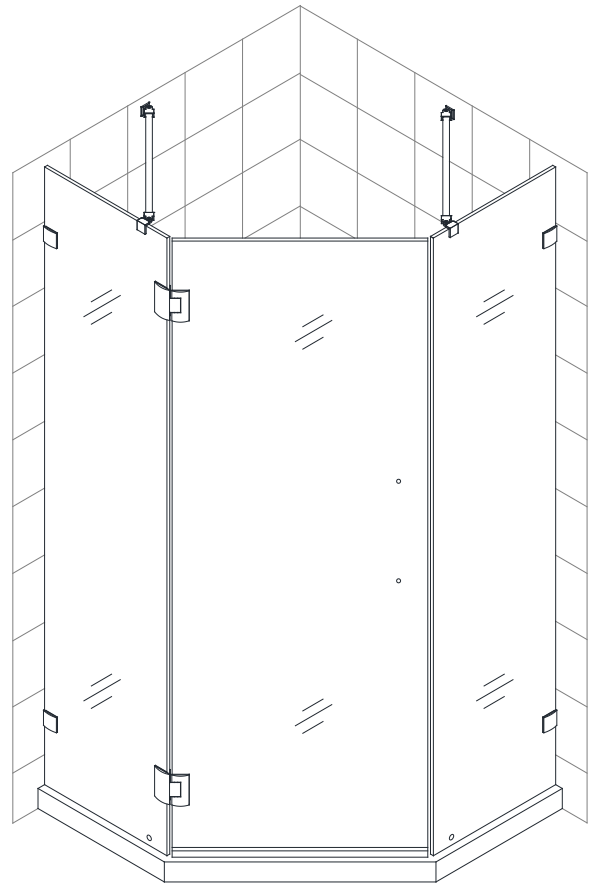


Fig. 11

8. Press the **Anti-water strip (14)** onto the vertical edge of the **Stationary glass (03)**. (Fig 12.1)  
 Press the **Bottom anti-water strip (15)** onto the bottom edge of the **Glass door (02)**. (Fig 12.2)  
 Take three measurements:
- from the top edge of the **Glass door (02)** to the top edge of the inner part of the **Hinge (05)**; (See Fig 12.3)
  - repeat this process between the top and bottom hinges
  - Measure up from the surface of the shower base to the bottom of the inner part of the bottom hinge  
 Cut the **Side strip (13)** according to these measurements. Notch the ends to fit into the hinge and also around the **Bottom anti-water strip (15)**. Fully press the cut strips onto the vertical edge of the glass **door**.

See Fig. 12 for details.

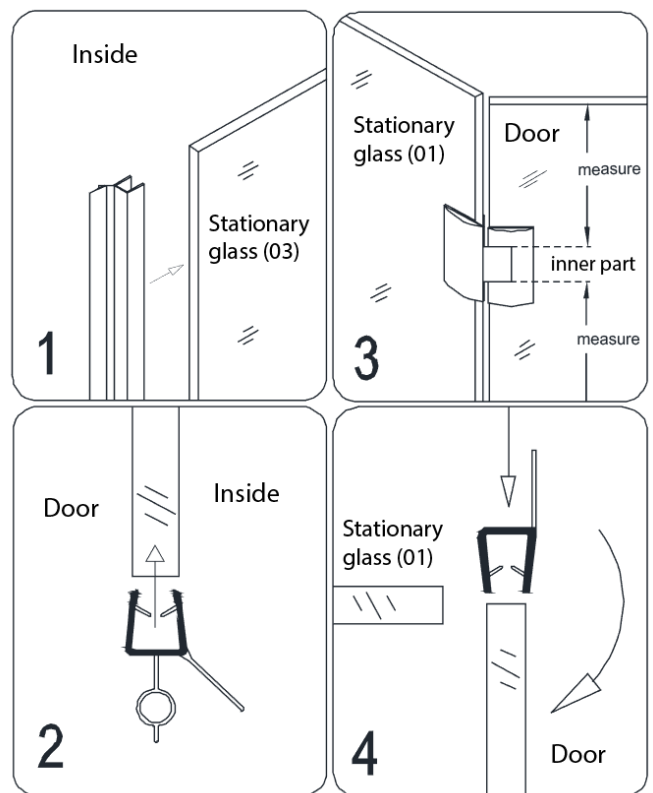


Fig. 12

9. After final adjustments, secure both **Stationary glass panels** to the threshold with the **Bottom brackets (12)**. Assemble the **Bottom brackets (12)** through the holes in the Stationary panels. Drill the holes in the Shower base through the holes in the flange of the **Bottom brackets** using an **Ø 1/8"** drill bit. Fasten the bottom brackets with the **Round head screw ST4.2×25 (08)** and washer. Cover the screw with the **Decorative cover (10)**. Install the **Handle (06)** to the **Glass door (02)**.

See Fig. 13 for details.

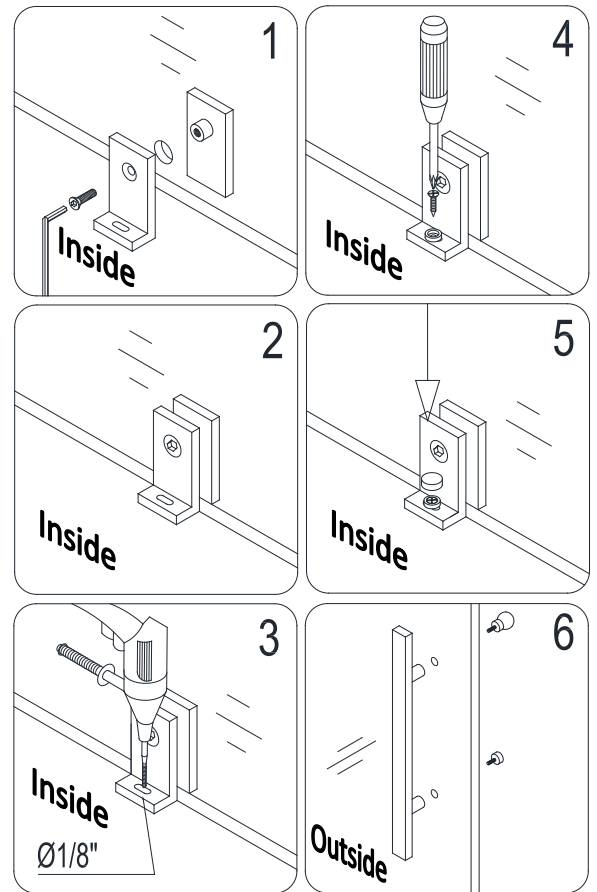


Fig. 13

10. Apply good quality mildew-resistant silicone along the connection of the stationary glass with the walls and the Shower base/threshold. **Allow 24 hours for the silicone to fully cure before using the shower.**

See Fig. 14 for details.

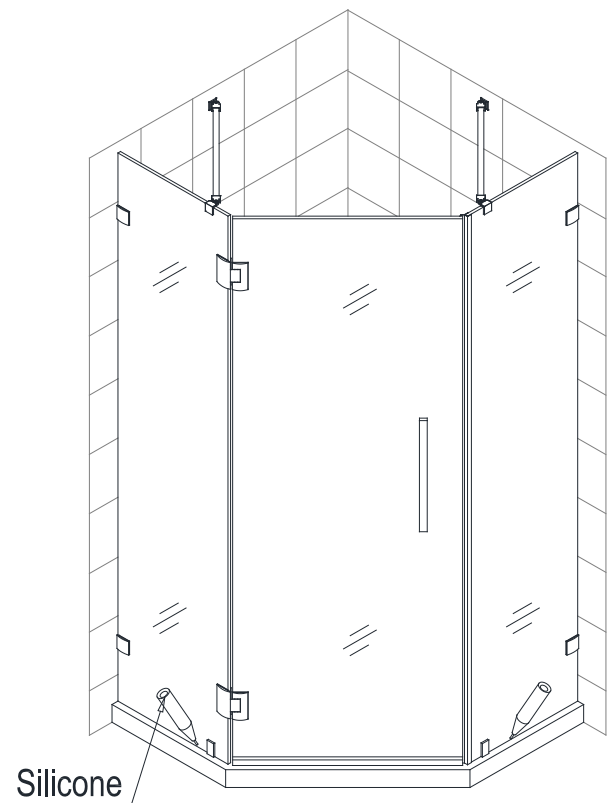
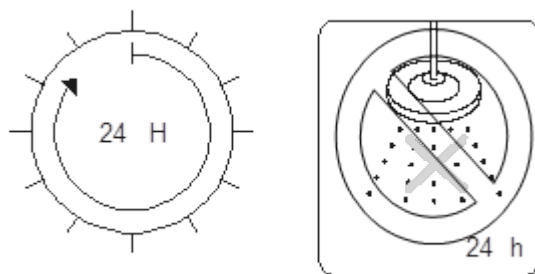


Fig. 14

## **Product Maintenance**

**BASES and BACKWALLS:** To ensure long-lasting life for your acrylic back walls, wipe them off after each use with a soft cloth. To clean the acrylic back walls, use non-abrasive sprays or cream based cleaners. Avoid the use of aerosol spray cleaners. Never use abrasive cleansers, metal brushes or scrapers that could scratch or dull the surface.

**GLASS:** To ensure long-lasting life for your glass shower products, wipe them off after each use with a soft cloth. Rinse and wipe off the glass using either a soft cloth or a squeegee to prevent soap buildup and water spots (Hard water can etch the surface of the glass over time if left to dry). To prevent scratching the surface: never use abrasive cleaners or cleaning products that contain scouring agents. Never use bristle brushes or abrasive sponges that may scratch the surface.

**HARDWARE** To ensure a long-lasting finish, wipe off the metal parts after each use with a soft cloth. Do not use abrasive cleaners or cleaning products containing ammonia, bleach or acid. If accidentally used, rinse the surface as soon as possible to prevent damage to the finish (peeling or corrosion). After cleaning the polished finishes, rinse thoroughly and wipe dry with a soft cloth. Clean stainless-steel surfaces at least once a week. When applying stainless steel cleaner or polish to stainless steel hardware, work with (not across) the grain. Never use an abrasive sponge or cloth, steel wool or wired brush as these may permanently scratch the surfaces.

**NOTE: To maximize the life of your door, it is important to regularly inspect the glass and all hardware for misalignment, proper attachment, and/or damage. Contact DreamLine® with any questions or concerns.**

**DreamLine® shower doors and enclosures are designed not to leak when installed properly and the flow of water is not pointed directly at the hinges or vinyl seals.**



---

TEL: [866-731-2244](tel:866-731-2244)

FAX: [866-857-3638](tel:866-857-3638)

[DREAMLINE.COM](http://DREAMLINE.COM)

For more information on [DreamLine® Shower Doors](http://DreamLine.com) and [Enclosures](http://DreamLine.com) please visit [DreamLine.com](http://DreamLine.com)