



# Toccata® | K-R3847-4

33" top-mount double-bowl kitchen sink

## Features

- 36" minimum base cabinet width
- Double-equal bowls
- 9" (229 mm) depth provides generous workspace
- Three faucet holes and one accessory hole to the right



## Sustainability



## Available Colors/Finishes

*Color tiles intended for reference only.*

 NA Stainless Steel



1-800-4KOHLER (1-800-456-4537)  
Kohler Co. reserves the right to make revisions without notice to product specifications.  
For the most current specification sheet, go to [www.kohler.com](http://www.kohler.com) USA or [www.kohler.ca](http://www.kohler.ca) Canada.  
3-27-2026 15:41 - US-CA

THE BOLD LOOK  
OF **KOHLER**

---

## Codes/Standards

ASME A112.19.3/CSA B45.4

---

## Technical Information

*All product dimensions are nominal.*

Number of Deck Holes:	4
Faucet Hole(s) Size:	1-7/16" (37 mm)
Center(s):	8" (203 mm)
Drain Hole Diameter:	3-5/8" (92 mm)
Minimum Base Cabinet Width:	36" (914 mm)
Basin Configuration:	Equal Bowls
Left Basin Length:	14-3/16" (360 mm)
Left Basin Width:	15-3/4" (400 mm)
Left Basin Depth:	9" (229 mm)
Right Basin Length:	13-11/16" (348 mm)
Right Basin Width:	15-5/16" (389 mm)
Right Basin Depth:	9" (229 mm)
Cutout:	Top-mount, 32-1/2" x 21-1/2" (826 mm x 546 mm) with 1/2" (13 mm) radius corners

---

## Material

- Premium 18-gauge stainless steel
- 

## Recommended Products/Accessories

1177161 Installation Clip Kit

K-23726 Drain treatment

K-23729 Stainless steel cleaner

---

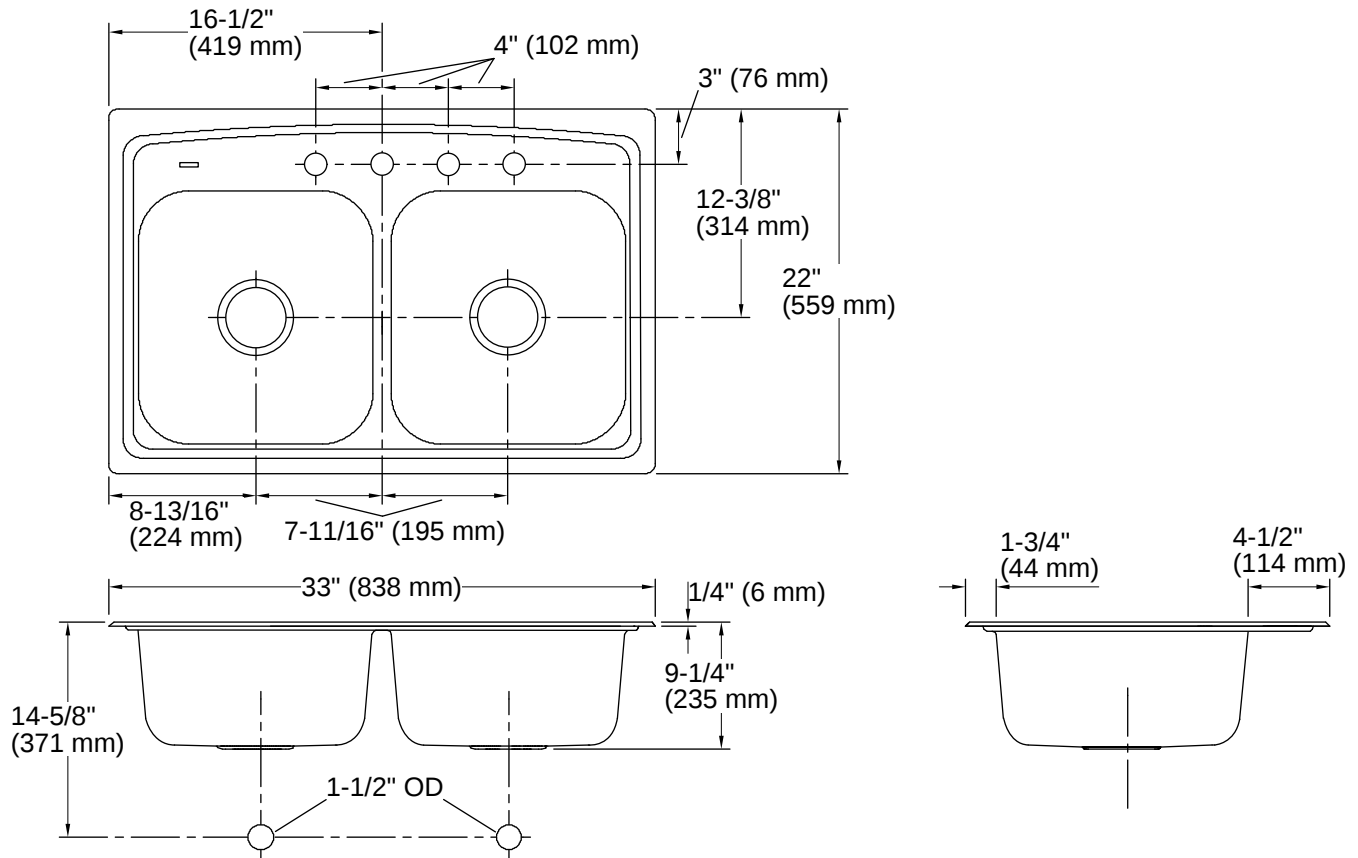
## Warranty

*See website for detailed warranty information.*

KOHLER® Stainless Steel Sinks Lifetime Limited Warranty



1-800-4KOHLER (1-800-456-4537)  
Kohler Co. reserves the right to make revisions without notice to product specifications.  
For the most current specification sheet, go to [www.kohler.com](http://www.kohler.com) USA or [www.kohler.ca](http://www.kohler.ca) Canada.  
3-27-2026 15:41 - US-CA



## Installation

- Top-mount

## Installation Notes

*Install this product according to the installation instructions.*

