

## NOTICE

\*Please make sure that you have all parts indicated and they are in good condition before you begin assembly of this item. Refer to part list and hardware list below for guidance.

\*This item should be assembled on a soft surface to prevent scratching the finish during assembly.

\*This item may require periodic tightening.

\*If you are having difficulty, our friendly Customer Care team is always here to help. Please email [customersupport@safavieh.com](mailto:customersupport@safavieh.com)

## PREPARATION

\*Before beginning assembly of product, make sure all parts are present. Compare parts with part contents list and hardware contents list.

\*If any part is missing or damaged, do not attempt to assemble the product.

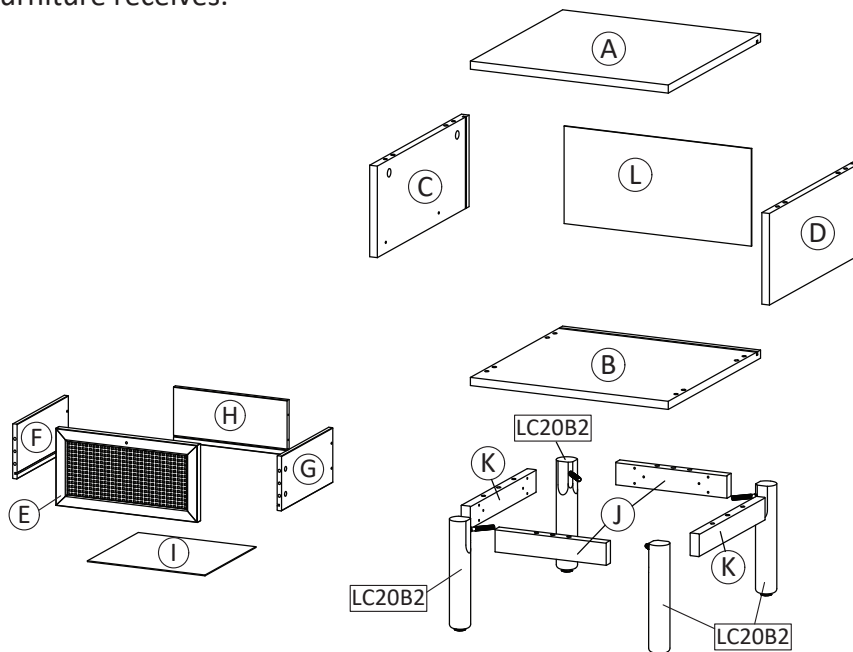
\*Estimated Assembly Time: 60 minutes.

\*Tools Required for Assembly (included): Allen Key

## CARE AND MAINTENANCE

Always use felt pads under all articles to prevent discoloration or softening of the lacquer. Plastic and rubber bases on items can discolor wood. Wipe up spills immediately and avoid common hazards such as hot dishes, harsh solvents and abrasives. Cleaning should be done with a soft lint free cotton cloth dampened with water or furniture polish. On highly used surfaces we recommend applying a quality paste wax which should be used on a regular basis to provide additional protection from scratches and spills. How often you apply the wax depends on how much wear the furniture receives.

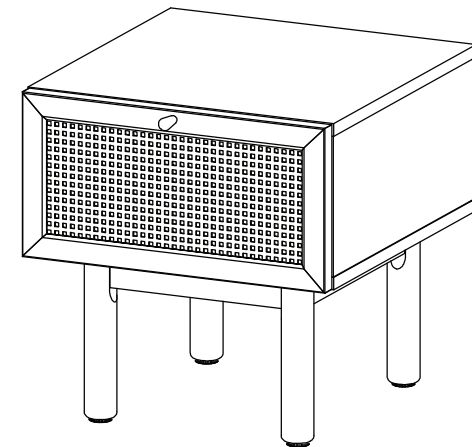
## Part List



 **SAFAVIEH**  
FURNITURE

Model# NST9606

Product Dimensions: 15"Wx16"Dx16"H



**WARNING :**

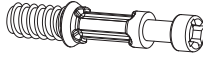




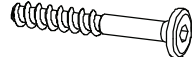


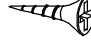




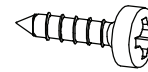

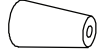


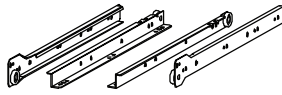
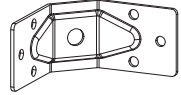
**WEIGHT CAPACITY: 22 LBS.**

**DRAWER LOAD CAPACITY: 13 LBS**

**Warning : Do not stand on chest.**

**Warning : Do not over torque bolts.**

## Hardware List

<p>HW1x8</p>  <p>∅ 6 x 35 mm</p>	<p>HW2x4</p>  <p>∅ 15 mm</p>	<p>HW3x4</p>  <p>∅ 12 mm</p>	<p>HW4x12</p>  <p>∅ 8 x 30 mm</p>	<p>HW5x4</p>  <p>M 7 x 50 mm</p>
<p>HW6x8</p>  <p>M 6.4 x 53 mm</p>	<p>HW7x2</p> 	<p>HW8x8</p> 	<p>HW9x8</p>  <p>M 3.5 x 15.5 mm</p>	<p>HW10x4</p> 
<p>HW11x2</p>  <p>∅ 6 x 30 mm</p>	<p>HW12x6</p>  <p>M 3.5 x 13 mm</p>	<p>HW13x1</p> 	<p>HW14x24</p>  <p>M 4 x 16 mm</p>	<p>HW15x4</p>  <p>M 8 x 39 mm</p>
<p>HW16x1</p> 	<p>HW17x1</p>  <p>M 4 x 25 mm</p>	<p>HW18x4</p>  <p>M 6 x 10.5 mm</p>	<p>HW RM30Ax1</p> 	<p>HW BC410x4</p> 

## Part List & HW For Multi-Box Items

Piece	Description	Qty
A	Top Board	1
B	Bottom Board	1
C	Side Board Left	1
D	Side Board Right	1
E	Front Drawer	1
F	Side Drawer Left	1
G	Side Drawer Right	1
H	Back Drawer	1
I	Bottom Drawer	1
J	Bottom Skirt 2	2
K	Bottom Skirt 1	2
L	Back Board	1
LC20B2	Leg	4

Piece	Description	Qty
HW1	Cambolt	8
HW2	CamLock Big	4
HW3	CamLock Small	4
HW4	Dowel Big	12
HW5	Screw M 7 x 50 mm	4
HW6	Screw M 6.4 x 53 mm	8
HW7	Allen Key	2
HW8	Wedge	8
HW9	Screw M 3.5 x 15.5 mm	8
HW10	Flange Nut	4
HW11	Dowel Small	2
HW12	Screw M 3.5 x 13 mm	6
HW13	Wrench	1
HW14	Screw M 4 x 16 mm	24
HW15	Screw M 8 x 39 mm	4
HW16	Handle	1
HW17	Screw M 4 x 25 mm	1
HW18	Screw M 6 x 10.5 mm	4
HW RM30A	Drawer Runner	1
HW BC410	Corner Brace	4

# PREPARATION

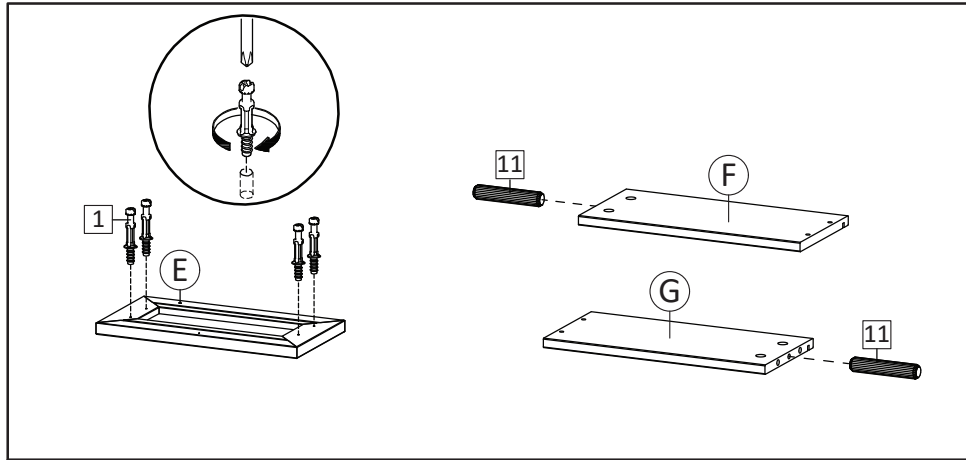
\*Before beginning assembly of product, make sure all parts are present. Compare parts with part contents list and hardware contents list.

\*If any part is missing or damaged, do not attempt to assemble the product.

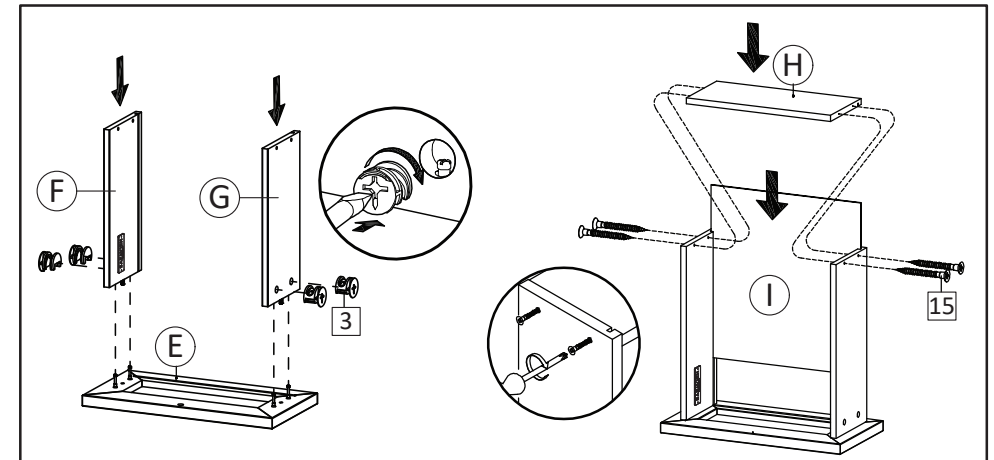
\*Estimated Assembly Time: 60 minutes.

\*Tools Required for Assembly (included): Allen Key

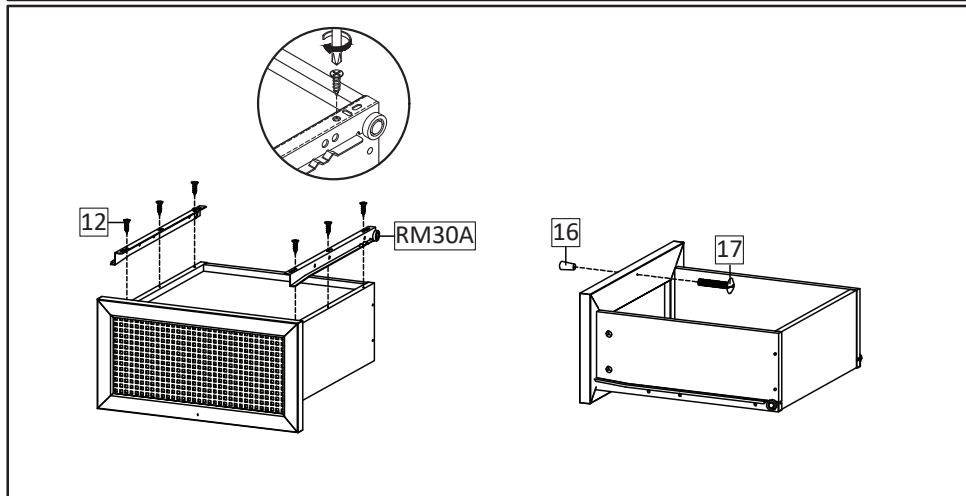
\*If you are having difficulty, our friendly Customer Care team is always here to help. Please email [customersupport@safavieh.com](mailto:customersupport@safavieh.com)



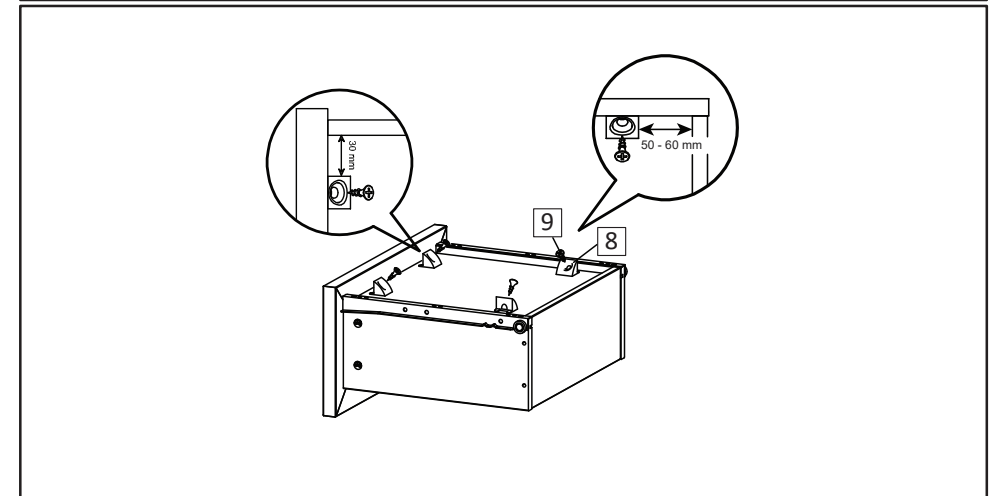
**STEP1:** Insert Cambolt (HW1) into Front Drawer (E). Insert Dowel Small (HW11) into Side Drawers (F&G).



**STEP2:** Combine Side Drawers (F&G) into Front Drawer (E) then tighten Camlock Small (HW3) using screwdriver. Insert Bottom Drawer (I) then put Back Drawer (H) and secure with Screw M8x39mm (HW15).



**STEP3:** Install the part of Drawer Runner (HW RM30A) into position as shown in picture. Secure with screws M3.5x13mm (HW12). Use Screw M4x25mm (HW17) to attach Handle (HW16) to the Front Drawer.



**STEP4:** Insert the Screw M3.5x15.5mm (HW9) and Wedge (HW8) into the bottom of the drawer according to the picture.

# PREPARATION

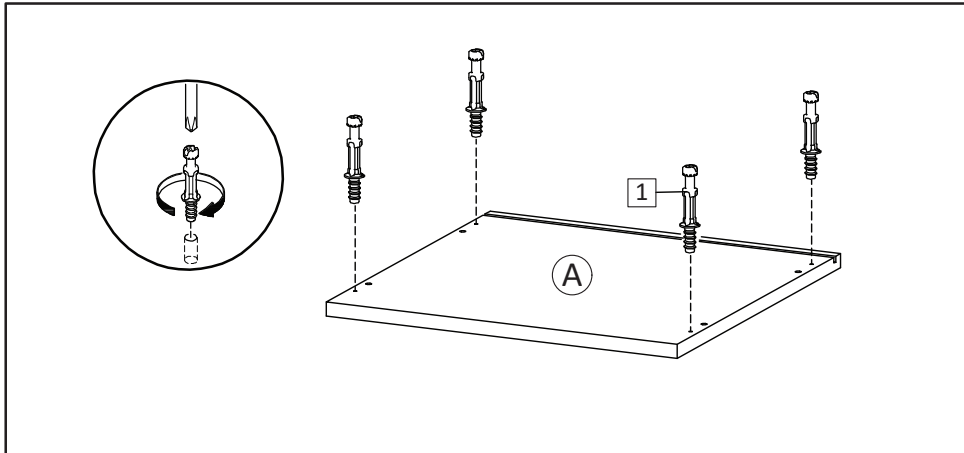
\*Before beginning assembly of product, make sure all parts are present. Compare parts with part contents list and hardware contents list.

\*If any part is missing or damaged, do not attempt to assemble the product.

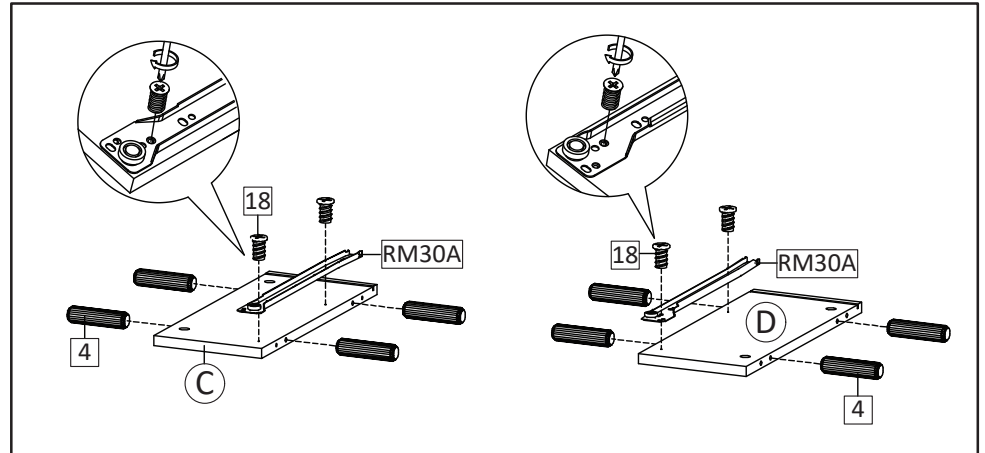
\*Estimated Assembly Time: 60 minutes.

\*Tools Required for Assembly (included): Allen Key

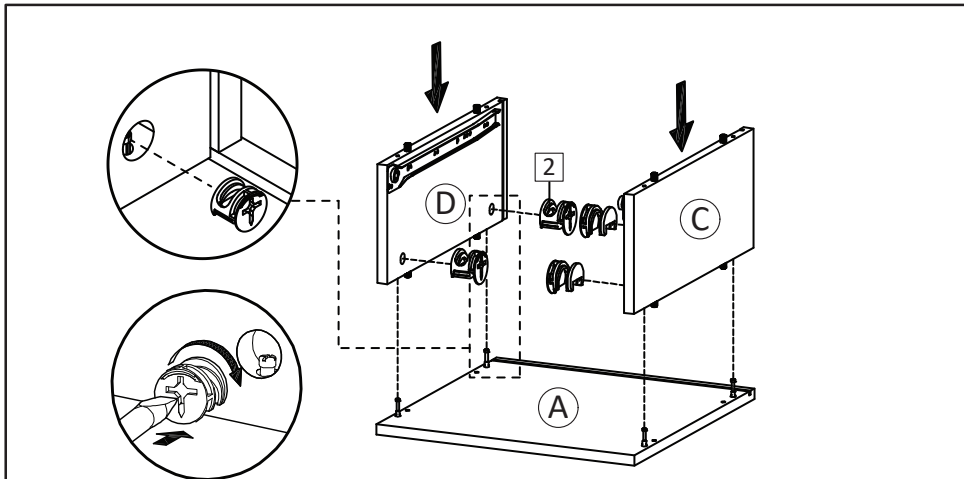
\*If you are having difficulty, our friendly Customer Care team is always here to help. Please email [customersupport@safavieh.com](mailto:customersupport@safavieh.com)



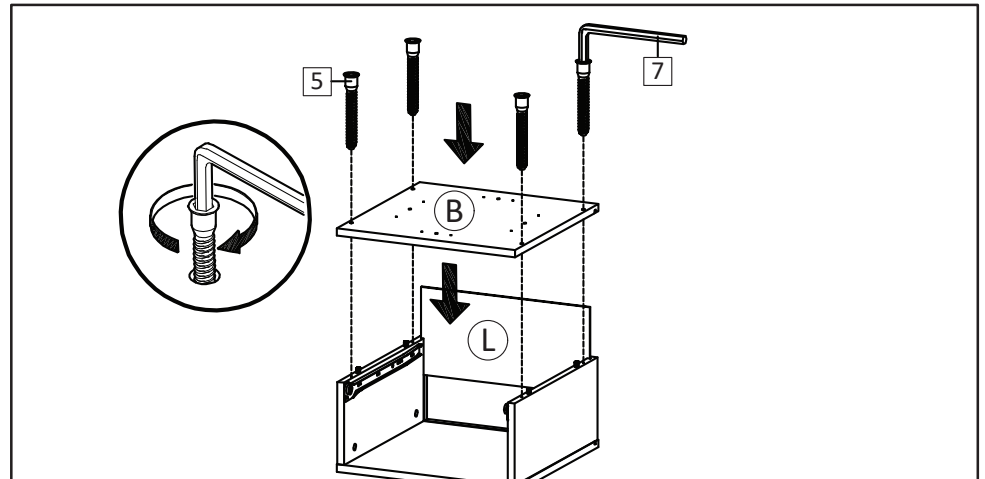
**STEP5:** Insert Cambolt (HW1) into Top Board (A).



**STEP6:** Insert Dowel Big (HW4) into Side Board Left (C) and Side Board Right (D). Continue with securing part of the Drawer Runner (HW RM30A) into position as the above image, using screw M6x10.5mm (HW18).



**STEP7:** Attach Side Boards (C&D) into Top Board(A). Insert Camlock(HW2) then tighten using screwdriver.



**STEP8:** Insert Back Board (L) and attach Bottom Board(B), secure with Screw M7x50mm (HW5), tighten screws using Allen Key (HW7).

# PREPARATION

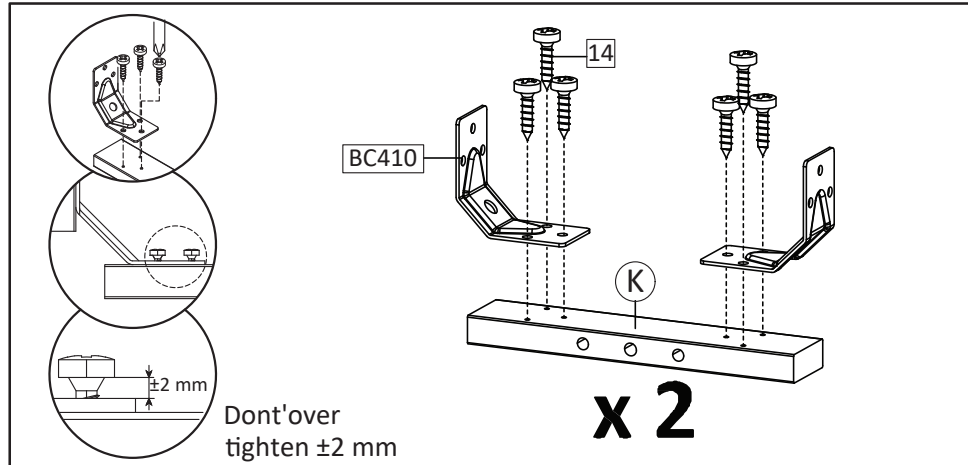
\*Before beginning assembly of product, make sure all parts are present. Compare parts with part contents list and hardware contents list.

\*If any part is missing or damaged, do not attempt to assemble the product.

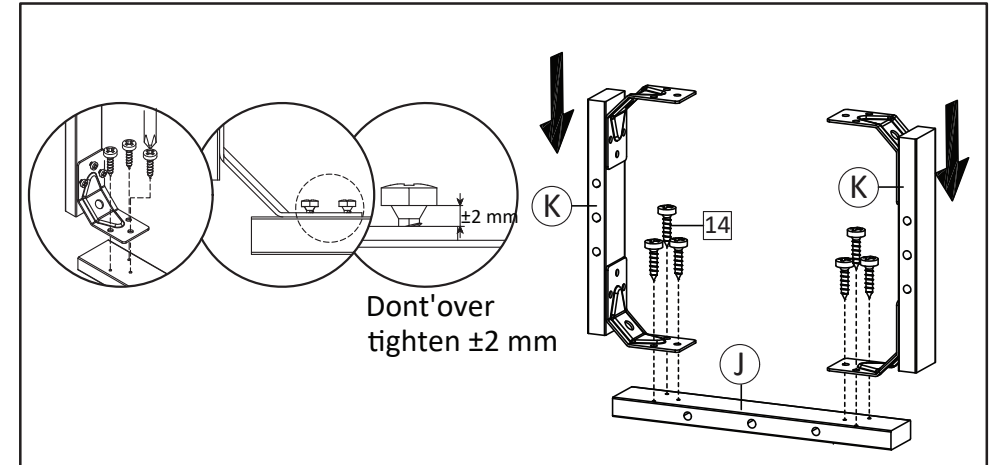
\*Estimated Assembly Time: 60 minutes.

\*Tools Required for Assembly (included): Allen Key

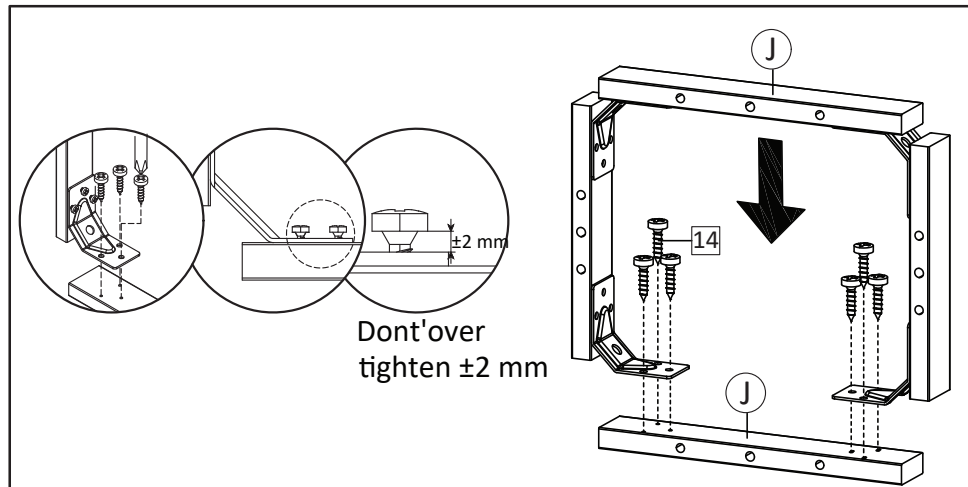
\*If you are having difficulty, our friendly Customer Care team is always here to help. Please email [customersupport@safavieh.com](mailto:customersupport@safavieh.com)



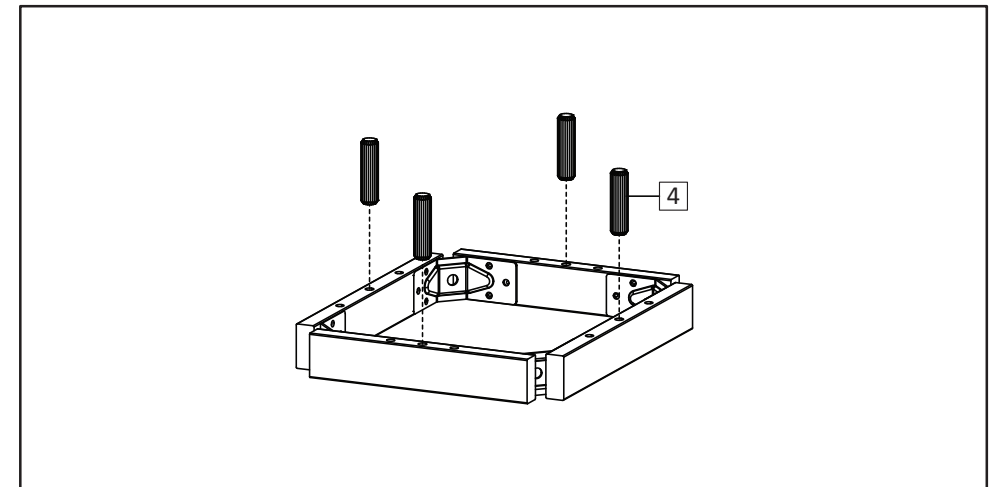
**STEP9:** Now let's combine the bottom skirt. Start with installing Corner Brace (HW BC410) into Bottom Skirt 2 (K) using Screw M4x16mm (HW14). Do not overtight screw yet, leave around 2mm gap.



**STEP10 :** Combine the Bottom Skirt 1 (J) from step 9 with Bottom skirt 2 (K), using Screw M4x16mm (HW14). Do not overtight screw yet, leave around 2mm gap.



**STEP11 :** Combine the Bottom Skirt 1 (J) from step 10 with Bottom skirt 2 (K), using Screw M4x16mm (HW14). Do not overtight screw yet, leave around 2mm gap.



**STEP12:** Insert Dowel Big (HW4) into assembled Bottom skirt from previous step.

# PREPARATION

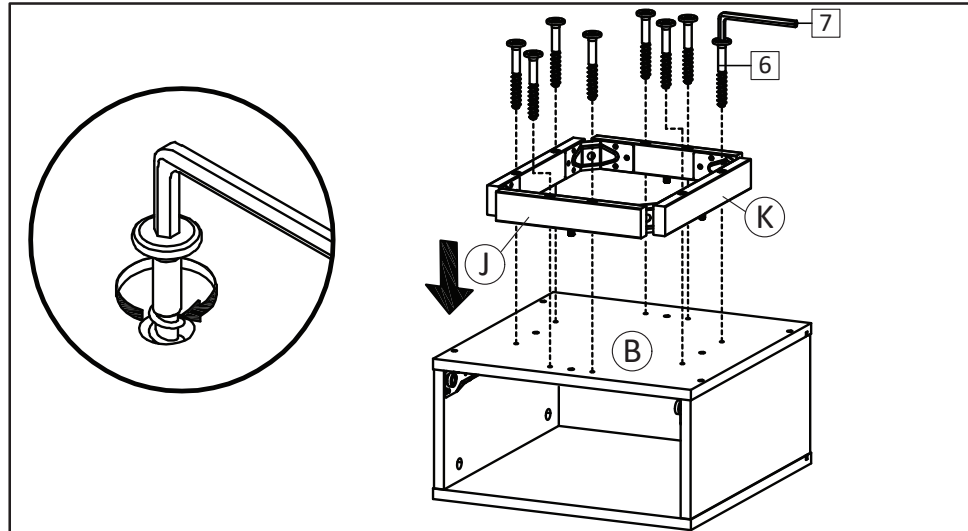
\*Before beginning assembly of product, make sure all parts are present. Compare parts with part contents list and hardware contents list.

\*If any part is missing or damaged, do not attempt to assemble the product.

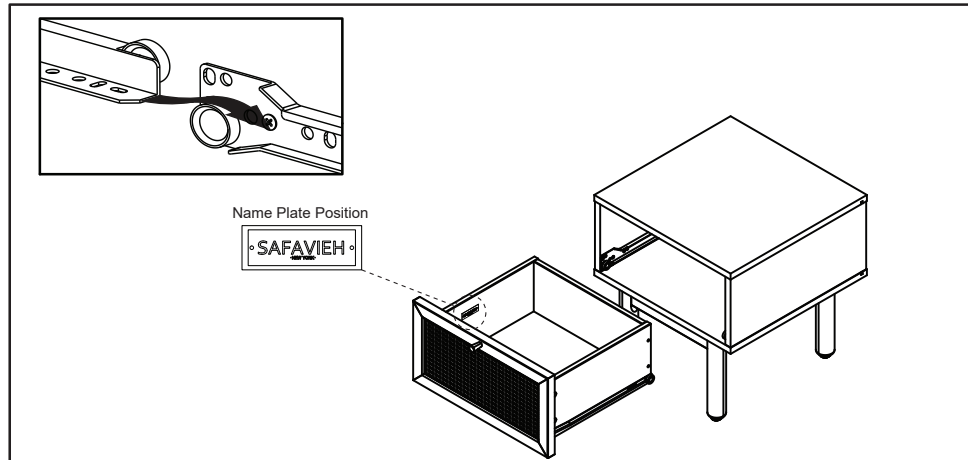
\*Estimated Assembly Time: 60 minutes.

\*Tools Required for Assembly (included): Allen Key

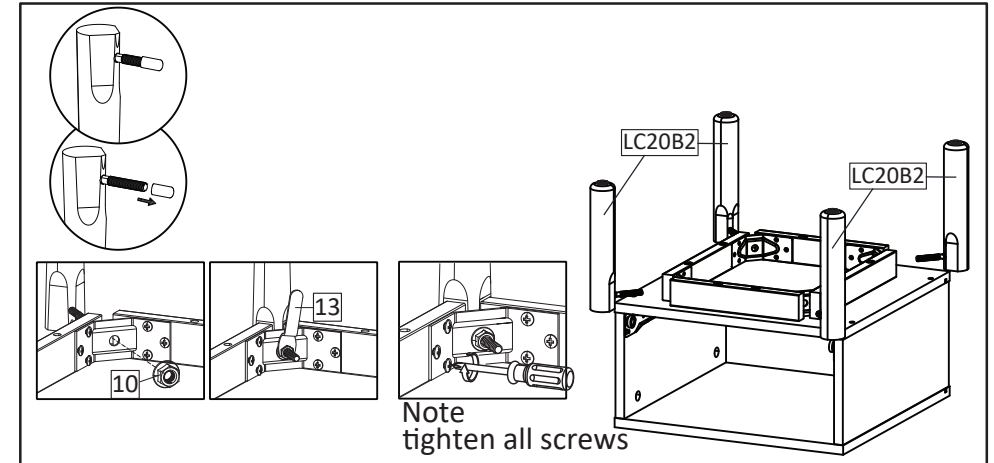
\*If you are having difficulty, our friendly Customer Care team is always here to help. Please email [customersupport@safavieh.com](mailto:customersupport@safavieh.com)



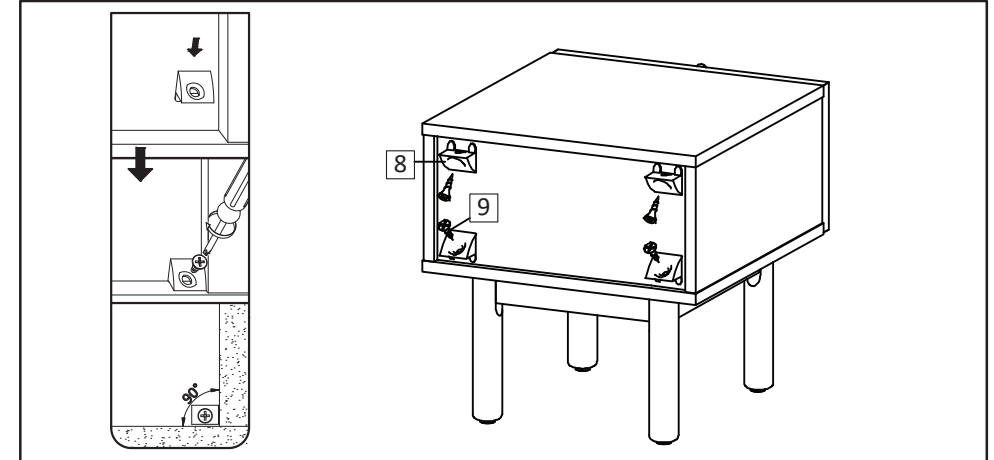
**STEP13:** Insert Screw M6.4x53mm (HW6) using Allen Key (HW7) into assembled bottom skirt and bottom board.



**STEP15:** Hold the sides of drawer, position the wheel of Drawer Runner at drawer back and the wheel of Drawer Runner at side boards, according to the image. Slide in the drawer into the Side Table.



**STEP14:** First, let's fixing the leg by inserting leg to Corner Brace, insert Flange Nut (HW10) first into the hanger bolt of leg, tighten all the Flange nut using provided Wrench (HW13). Second, after Ensuring that all legs has been tightened, continue with tighten all screws on the corner brace.



**STEP16:** Use Wedge (HW8), Screw M3.5x15.5mm (HW9) to tighten the back of Side Table by using screwdriver. Please align the top board and bottom board in 90° position against the side board, before securing the wedges (HW8).

## PREPARATION

---

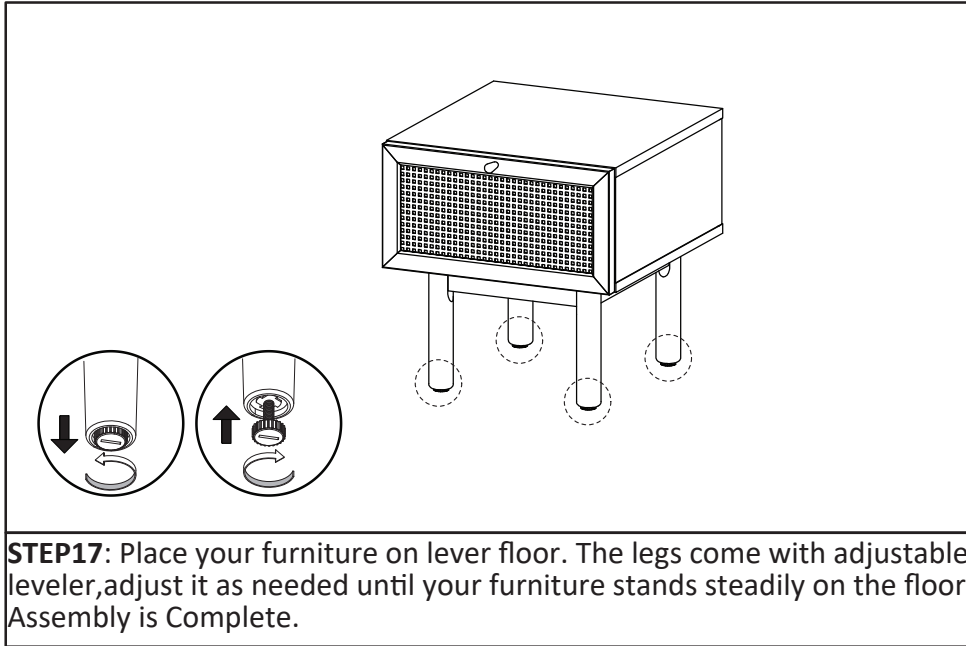
\*Before beginning assembly of product, make sure all parts are present. Compare parts with part contents list and hardware contents list.

\*If any part is missing or damaged, do not attempt to assemble the product.

\*Estimated Assembly Time: 60 minutes.

\*Tools Required for Assembly (included): Allen Key

\*If you are having difficulty, our friendly Customer Care team is always here to help. Please email [customersupport@safavieh.com](mailto:customersupport@safavieh.com)





# TIPPING RESTRAINTS KIT INSTALLATION GUIDANCE

Different wall materials require unique wall fasteners.

The wall plugs (AA2) and screws (AA3) are designed for fixing to concrete walls only.

Please consult your local hardware store to ensure you are using the correct hardware for your wall type.

