

TUB DOORS • SHOWER DOORS

INSTALLATION INSTRUCTIONS

TUB DOORS:

LBTDB6062

SHOWER DOORS:

LBSDB4876

LBSDB6076



PREPARATION FOR INSTALLATION



READ ALL INSTRUCTIONS BEFORE UNPACKING THE PRODUCT

CAUTION!



TWO PERSON LIFT REQUIRED

2 PEOPLE ARE REQUIRED TO LIFT AND DURING ENTIRE INSTALLATION OF THIS PRODUCT

LessCare reserves the right to change, update, modify, alter, redesign this manual/product or its policies without prior notice! It is your responsibility to visit website to download or contact customer service for the most updated version of the installation instructions.

LessCare shall not be liable for any injuries or property damages in connection with this product during installation or use of this product!

IMPORTANT UNPACKING INSTRUCTIONS:

When you have open top carton box lid, do not take shower glass doors or panels out before you read this and have this items in place. Have a soft cloth blanket min ¼" thick and make sure cloth blanket is bigger then your glass doors or panels in your working area place. Set this soft cloth blanket on the floor of working area. Take out shower glass doors or panels out from the Carton box and set it on the soft cloth blanket. Do not lean it on the wall or floor without the soft cloth blanket.

ATTENTION! Never set glass on floor or tile or solid floor or wall surface without a soft cloth blanket if you set it without soft cloth blanket it will cause scratches to the tempered glass and this will cause it to shatter right away or when installed or when you start using it, improper handling causes scratches on the glass doors or panels. When installing glass doors or panels be sure your have inspected glass doors or panels fully before installing it. Do not install and Stop installation if you see or find scratches or chipped corners on your glass doors or panels. NEVER set glass doors or panels on its corners make sure the your floor is level with the soft cloth blanket when preparing glass doors or panels for installation.

After opening all boxes and packages, read this introduction carefully. Check that all of the needed parts are included in the package by checking all the components on the diagram of components. Examine boxes and packages for shipping damage. If the unit has been damaged or missing parts, please contact our customer support department immediately. Please note that LessCare will not replace any damaged products or missing parts after 2 business days of the order receipt.

VERY IMPORTANT! Double check all glass corners and four edges of all glass door and panels to make sure that all the glass are in perfect condition and without any scratches or chipped corners. Do not try to install the shower door, if there is any scratches or chipped corners. Note, that you should consult your local building codes with questions on installation compliance standards. Building and plumbing codes may vary from state to state and location. LessCare is not responsible for code compliance standards for your project and will not accept any returns. Prior to installation, ensure that the installation surface is leveled and solid, and will be able to support the total weight of the unit. Also, make sure the walls are at the right angles. Irregular installation surface level or improper angle of side walls will result in serious problems during installation. Note, that some adjustments and drilling will be necessary during the installation process.

VERY IMPORTANT! Installation of this extremely heavy product to the wall requires minimum of 2" x 4" wood stud framing behind the wall.



INSTRUCTIONS THAT, IF IGNORED COULD RESULT IN SERIOUS INJURY OR DEATH CAUSED BY INCORRECT HANDLING OR INSTALLATION OF THE PRODUCT. THESE INSTRUCTIONS MUST BE OBSERVED FOR SAFE INSTALLATION!

LICENSED AND INSURED PROFESSIONAL CONTRACTOR IS REQUIRED TO INSTALL THIS PRODUCT INCLUDING ASSISTANCE OF A SECOND PERSON DURING INSTALLATION

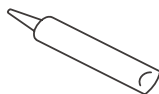
No modifications to the product are allowed. Modifications of any types to the product will result in serious injuries or may cause death.

IMPORTANT: Do not the handle on to the glass door until the instruction tells you to do so. Never lift the glass using the handle. Failure to do so will result in serious personal injury and could cause damages to the glass. Professional graded glass suction cups are highly recommended while handling extremely heavy glass. This product must be installed on a finished threshold and against finished walls only. This product is intended for residential use only.

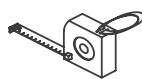
TOOLS REQUIRED



Soft Cloth or Blanket



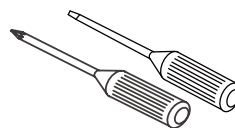
Silicone



Tape Measure



Pencil/Marker



Philips/Straight Screwdriver



Drill Bit
ø = 5/16"



Drill Bit
ø = 1/8"



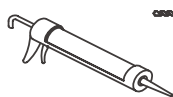
Safety Glass



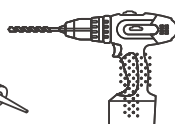
Knife



Level



Caulk Gun



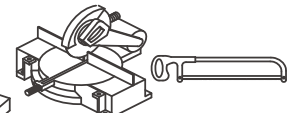
Drill



Hammer



Soft Wood Shim



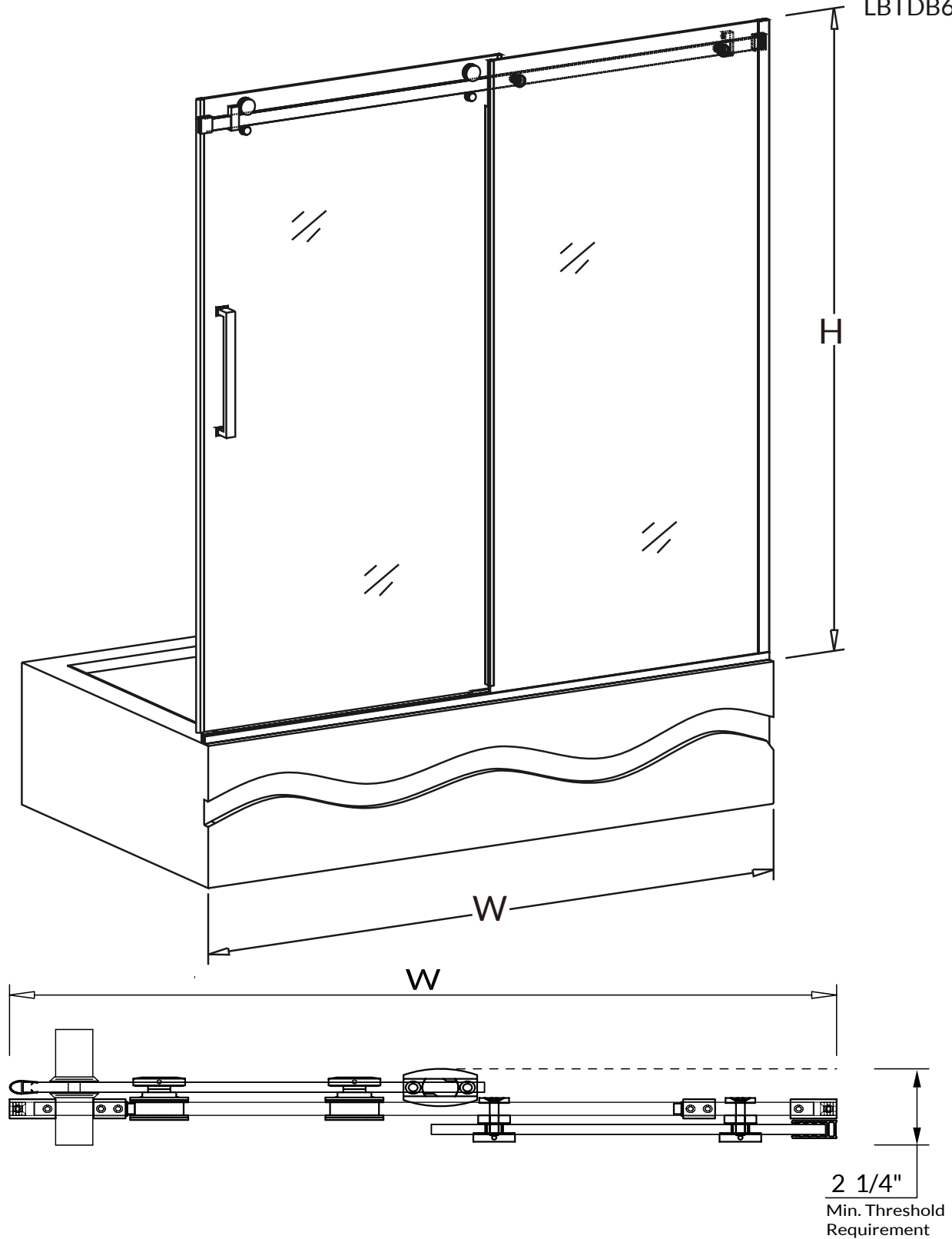
Miter saw or Hacksaw

OTHER TOOLS MAY BE REQUIRED

www.lesscare.com

CONFIGURATION STYLES

MODELS:
LBTD6062

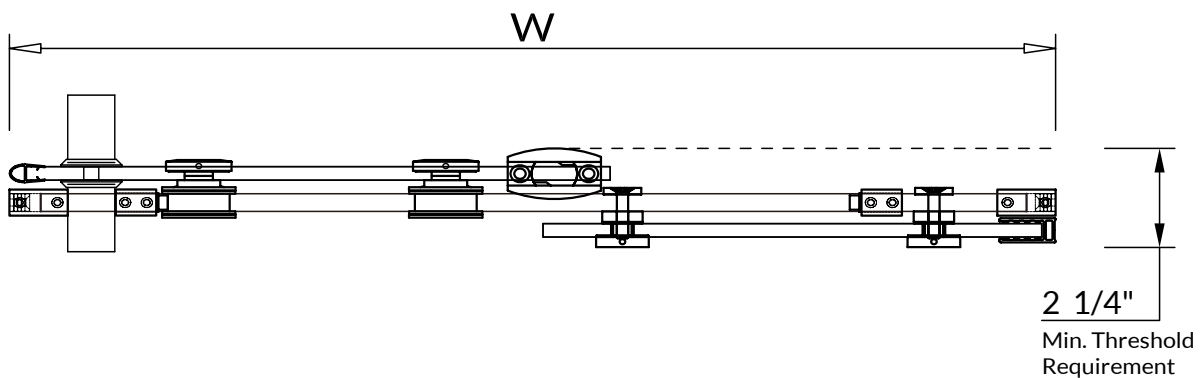
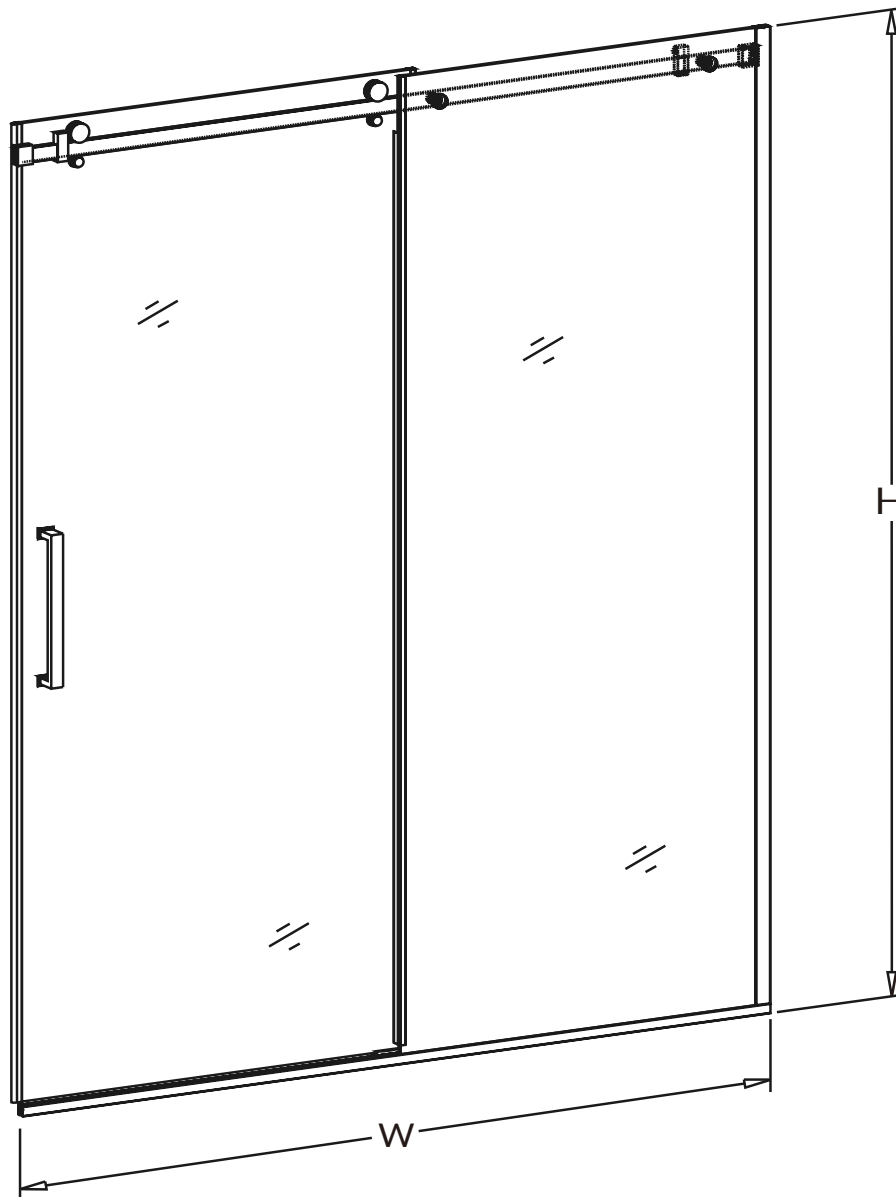


Threshold Requirement (Size): 2 1/4"

SAFETY IMPORTANT NOTE: Installation of shower or bathtub door requires to be installed only on smooth and flat surface of both walls and threshold base (shower base or bathtub).

CONFIGURATION STYLES

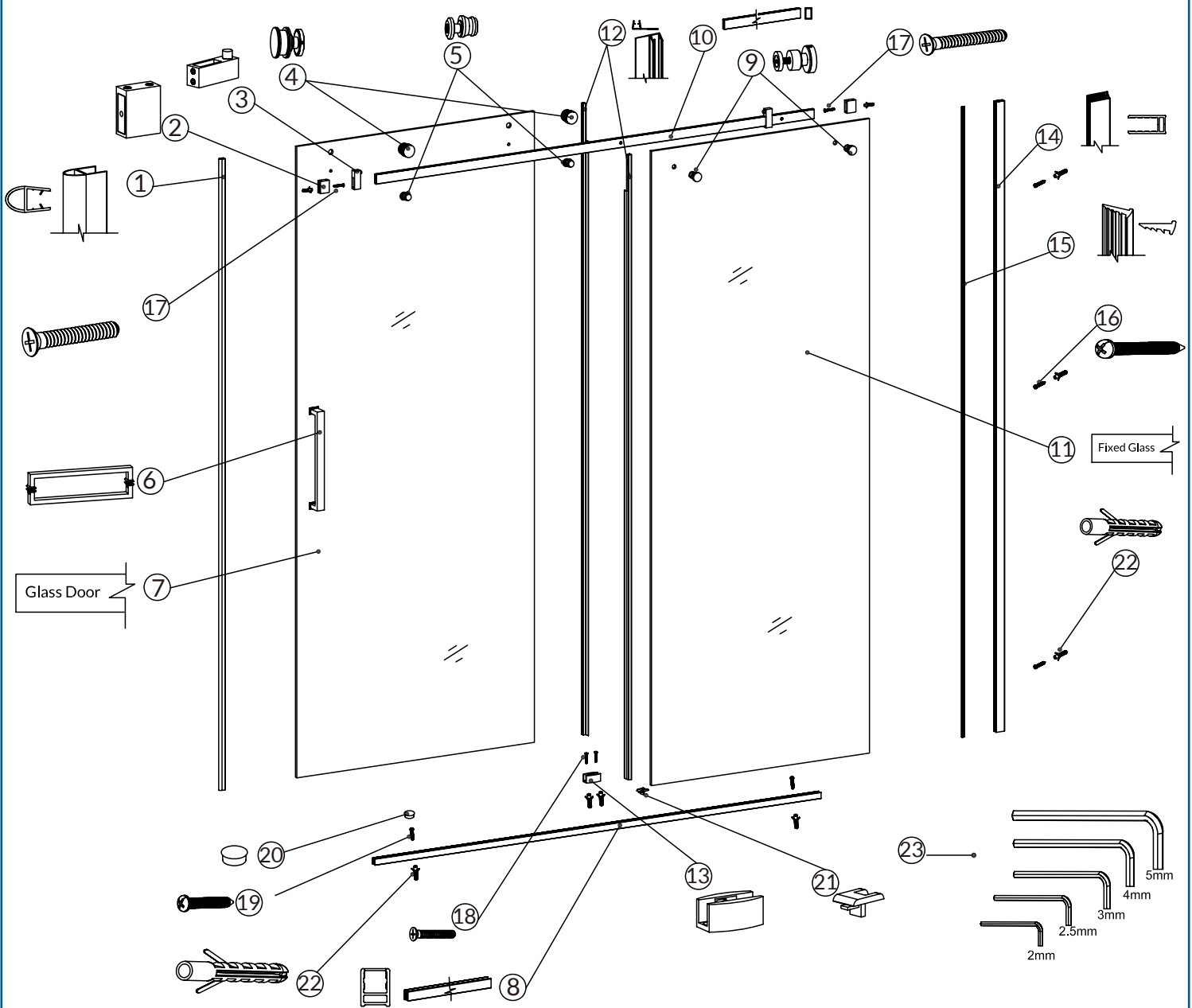
MODELS:
LBSDB4876
LBSDB6076



Threshold Requirement (Size): 2 1/4"

SAFETY IMPORTANT NOTE: Installation of shower or bathtub door requires to be installed only on smooth and flat surface of both walls and threshold base (shower base or bathtub).

SHOWER DOOR COMPONENTS



Item#	Description	Qty
1	Bumper Strip	1 pc
2	Guide Rail Bracket	2 pcs
3	Glass Door Stopper	2 pcs
4	Roller	2 pcs
5	Safety Pin	2 pcs
6	Handle	1 pc
7	Glass Door	1 pc
8	Anti-splash Aluminum Threshold	1 pc
9	Glass Bracket	2 pcs
10	Upper Guide Rail	1 pc
11	Fixed Glass	1 pc

Item#	Description	Qty
12	Side Anti-water Strip	2 pcs
13	Guide Block	1 pc
14	Wall Profile	1 pc
15	Side PVC Strip	2 pcs
16	Round Head Screw M4X60	3 pcs
17	Screw M5X60	2 pcs
18	Screw M5X30	2 pcs
19	Round Head Screw M4X30	2 pcs
20	Screw cover	1 pc
21	Glass Holder	1 pc
22	Wall Anchor	9 pcs
23	Allen Key	5 pcs

This door has NO out-of-plumb adjustment

1. Your Upper Guide Rail (10) and Anti-Splash Aluminum Threshold (8) have been precut for your shower model opening width: 48" or 60". If W-width of your wall to wall opening is equal to the size of your shower model, it is not necessary to cut the guide rail and threshold and you can continue to step 2.

If W width of your wall to wall opening is less than the size of your shower model, you will need to cut the guide rail (from the the end which is farther from the Glass Bracket (9) and the Threshold (from the end w/o the groove). The end to cut off will be L:
L= Subtract W from the size of your shower model .

Example: If the wall opening W=47".
Your shower door width is 48".
L=48"- 47"=1". You have to cut 1" off from the upper guide rail and the andti-splash aluminum threshold.

See Figure 1 and 2 for details.

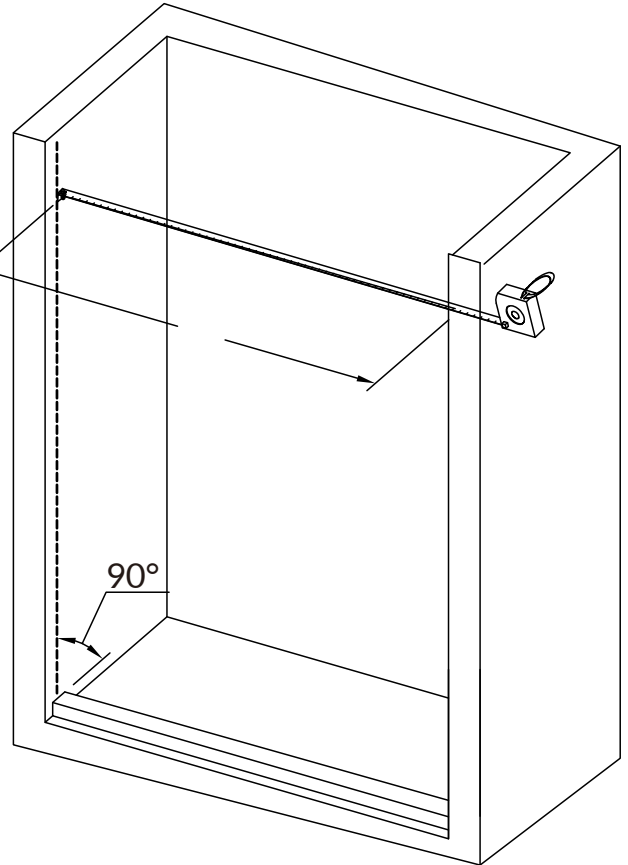
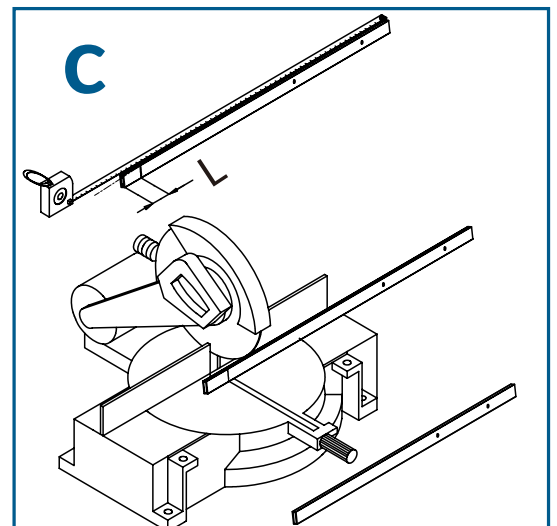
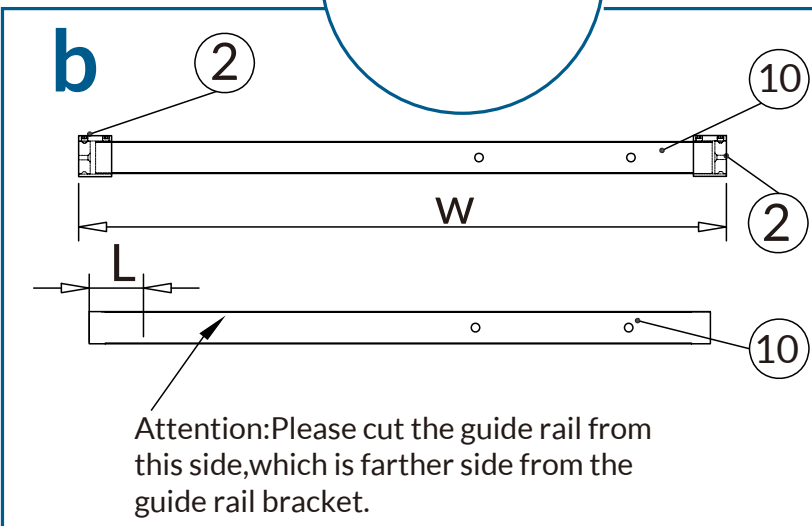
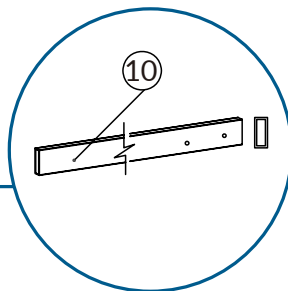
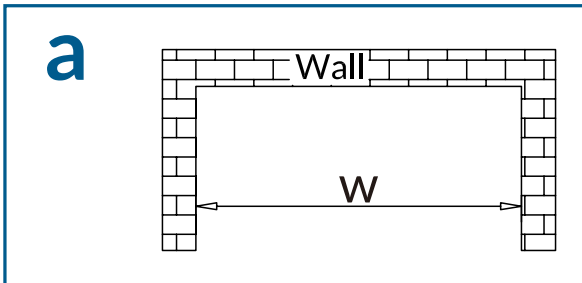


Figure 1



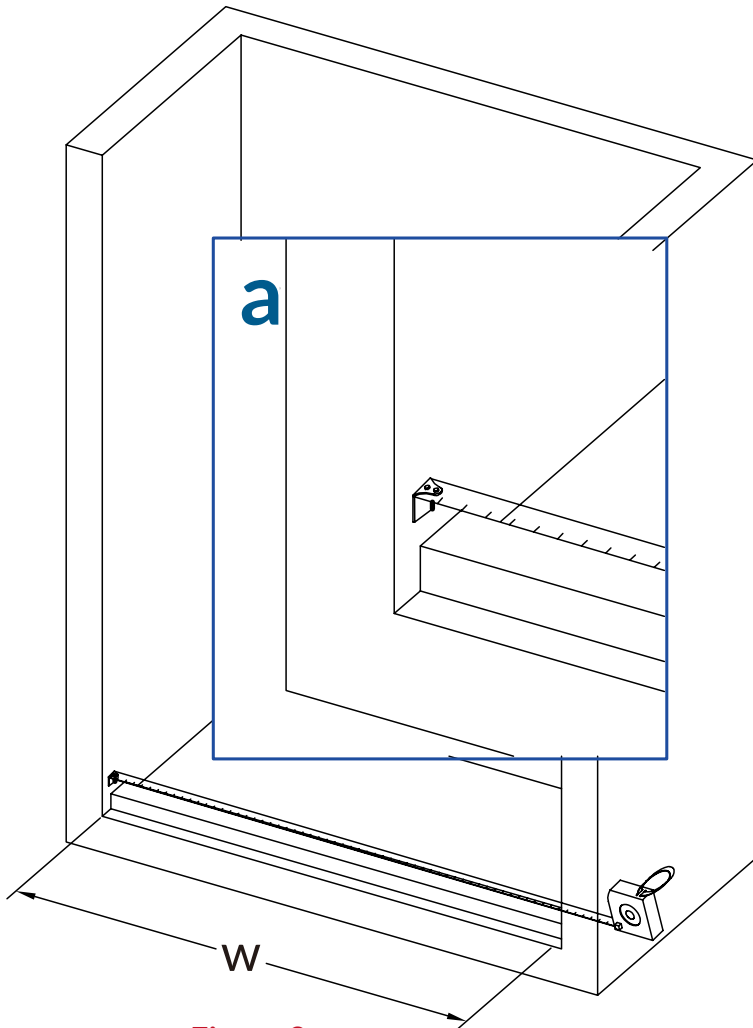
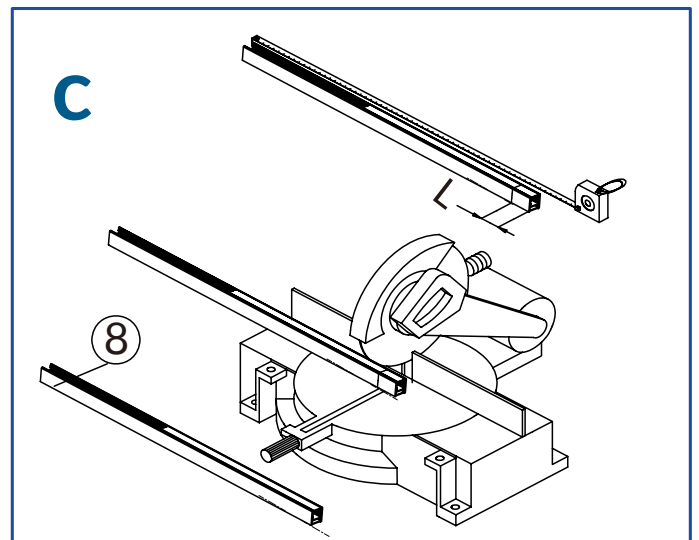
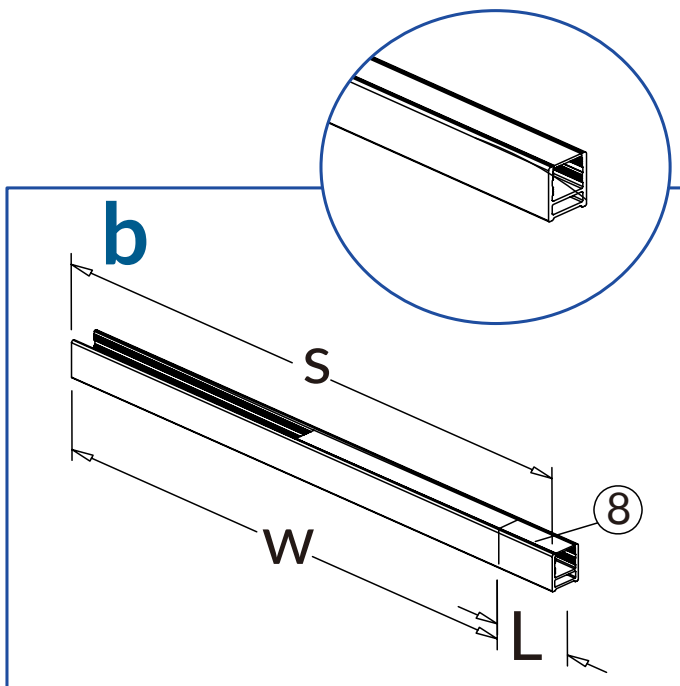


Figure 2



INSTALLATION STEPS

2. Place the Anti-Splash Aluminum Threshold (8) to the shower tray or shower base, and then, place the Wall Profile (14) to the wall. Using a level to adjust the wall profile upright and the threshold horizontal, make sure that the profile is vertical to the threshold.

See Figure 3 for details.

ATTENTION: The wall profile must be vertical to the threshold, the two openings of each profiles need to match. The wall profile should be placed to the threshold with slot.

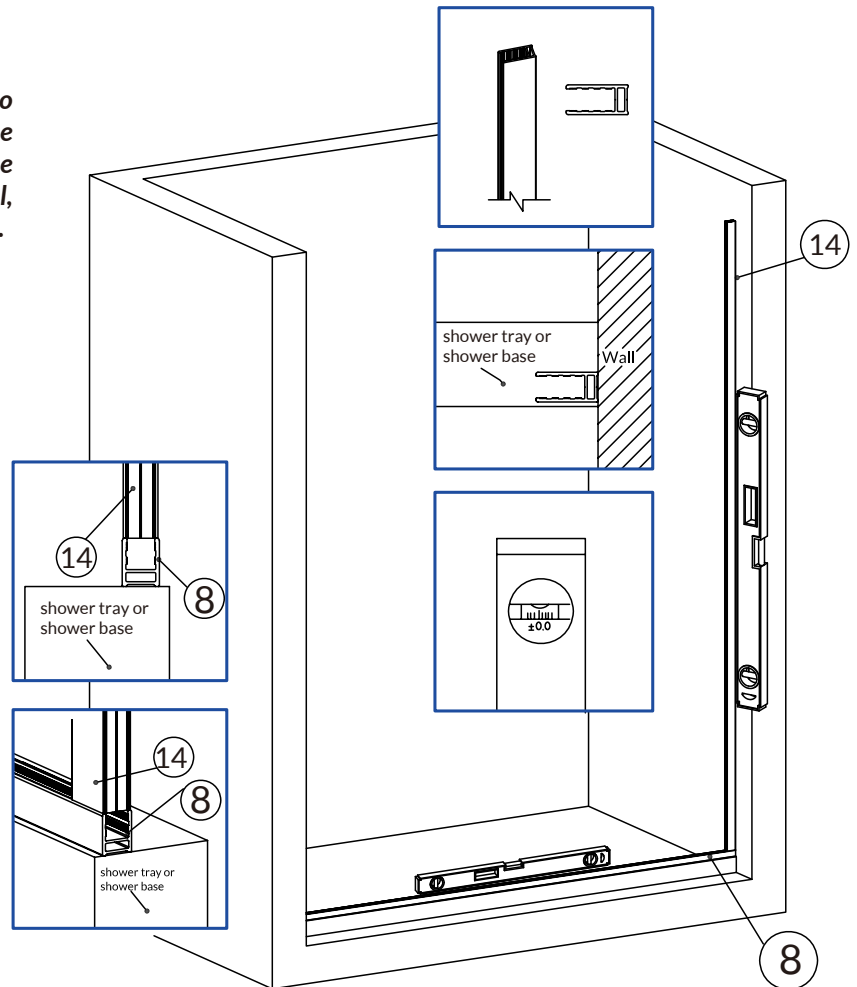
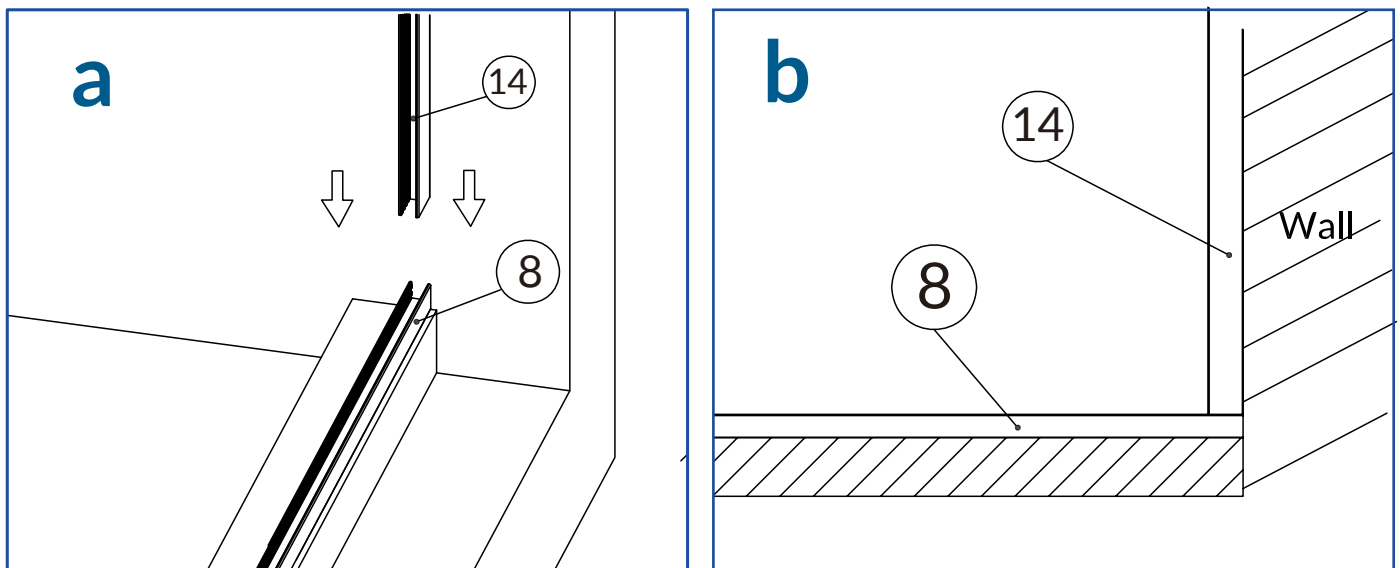
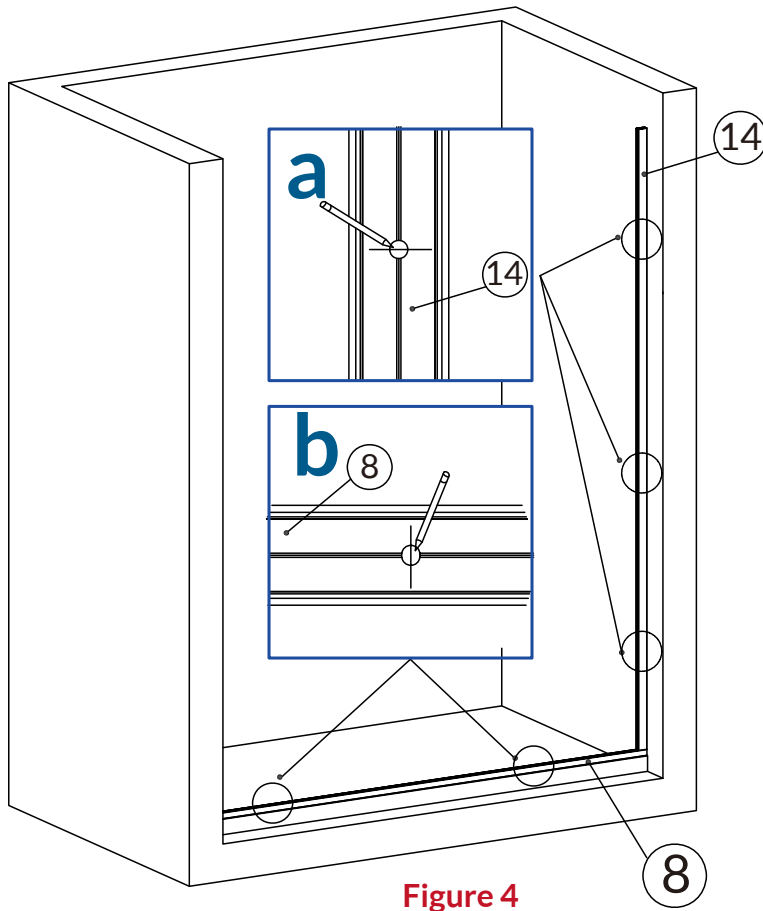


Figure 3

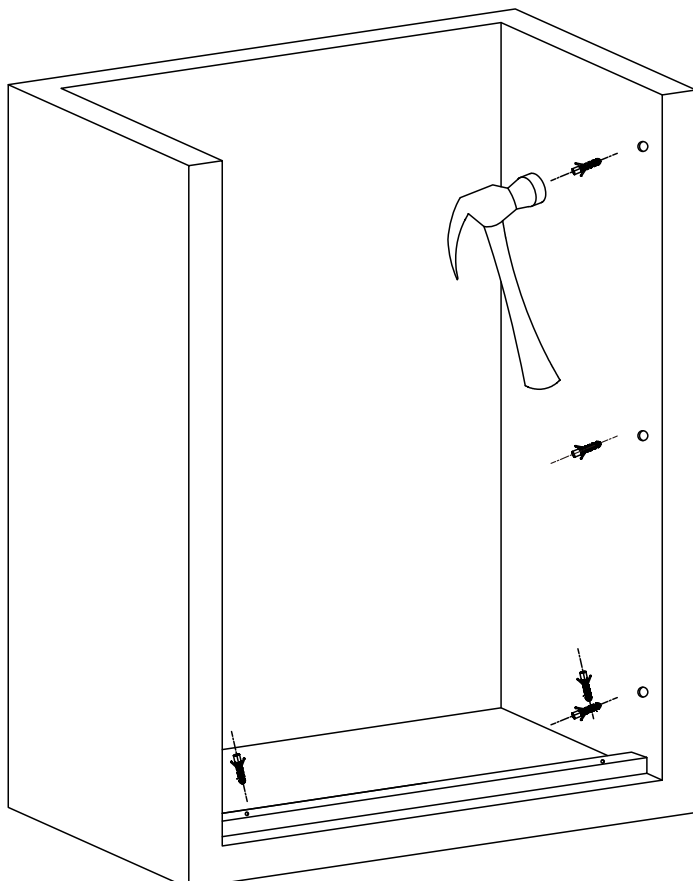
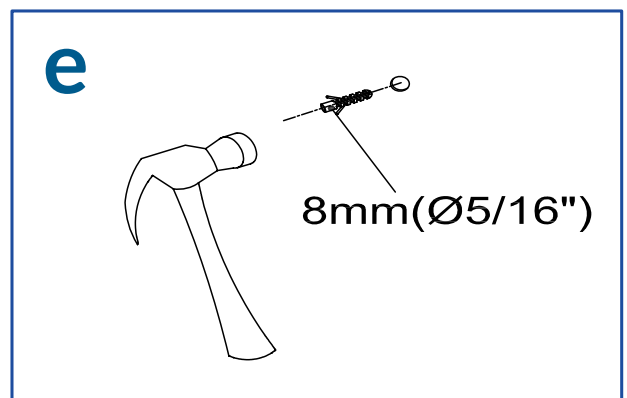
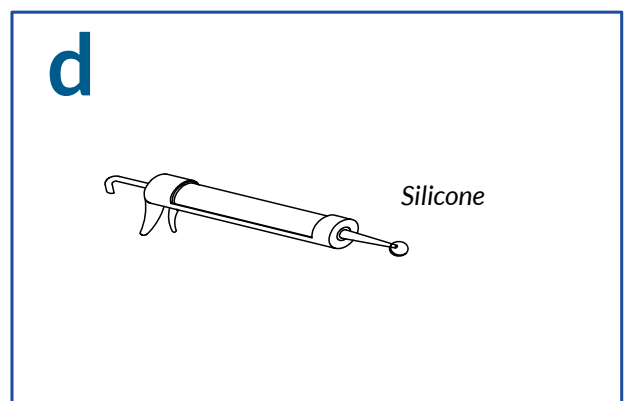
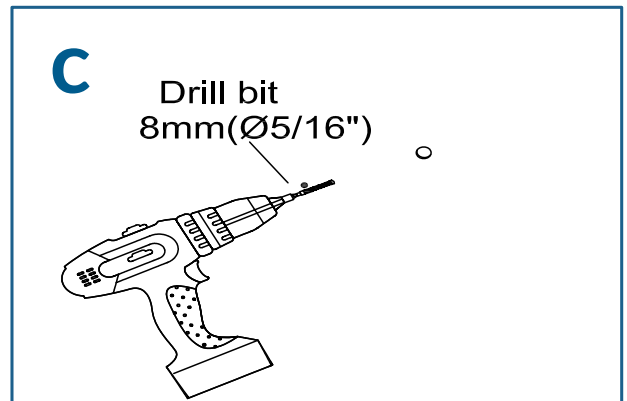


INSTALLATION STEPS



3. Make the marks through the predrilled holes on the Wall Profile (14) and Anti-Splash Aluminum Threshold (8) for drilling. Now drill the holes with drill bit \varnothing 8mm(\varnothing 5/16"). Apply silicone into the holes on the wall and insert the wall anchor (22).

See Figure 4 for details.



4. Apply silicone from top to bottom along the back edge (edge facing the wall) of Wall Profile(14) and the back edge (edge facing the shower base) of Anti-Splash Aluminum Threshold (8). Fasten the Wall Profile to the wall with Round Head Screw M4X60 (16), and fasten the threshold (8) to the shower base or shower tray with Round Head Screw M4X30 (19). Put the Screw Cover (20) to cover the screw in the Threshold. Put the Glass Holder(21) to Anti-splash Aluminum Threshold.

See Figure 5 for details.

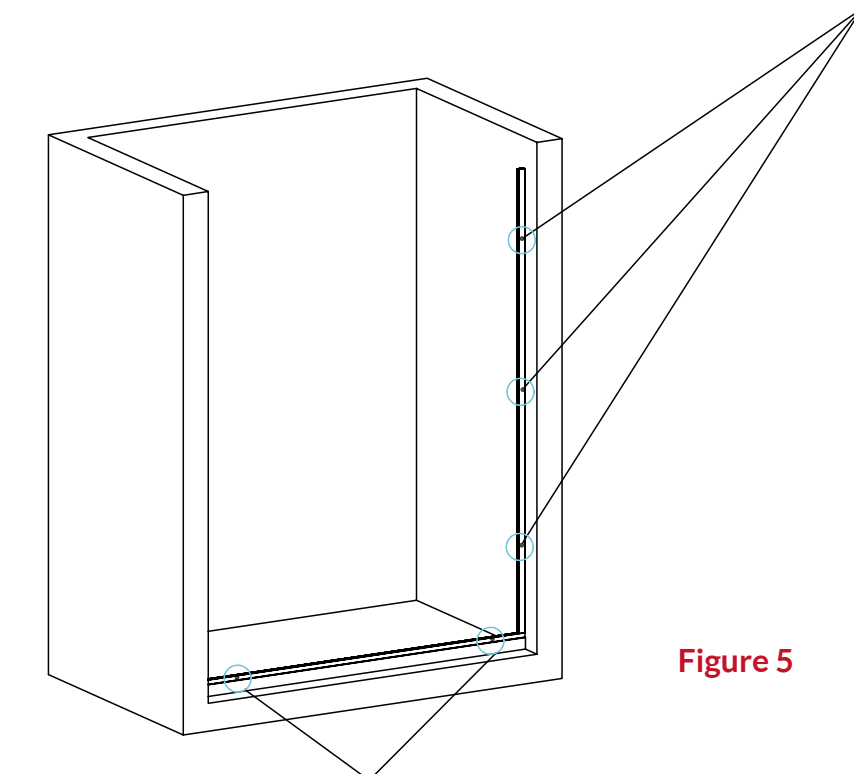
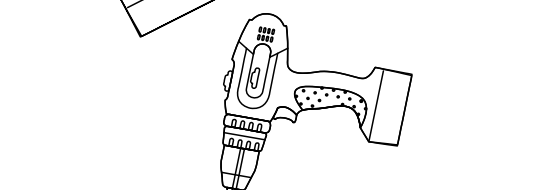
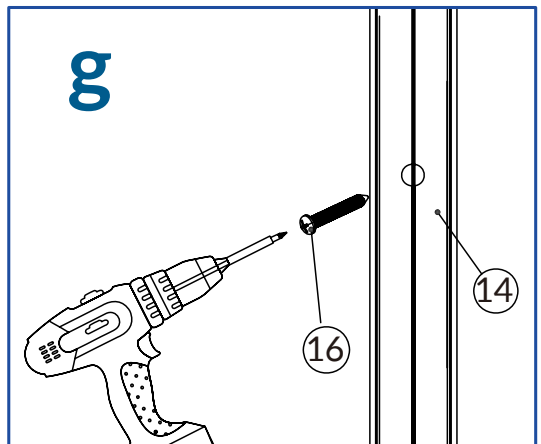
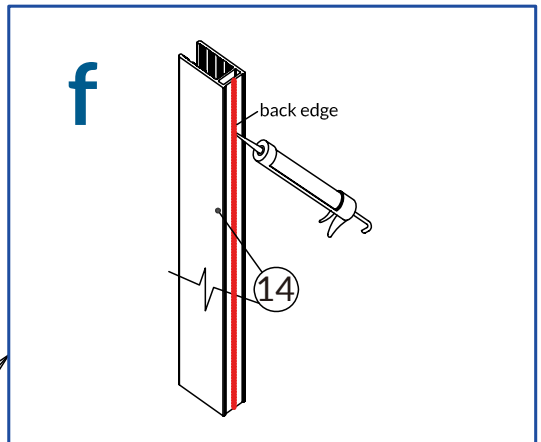
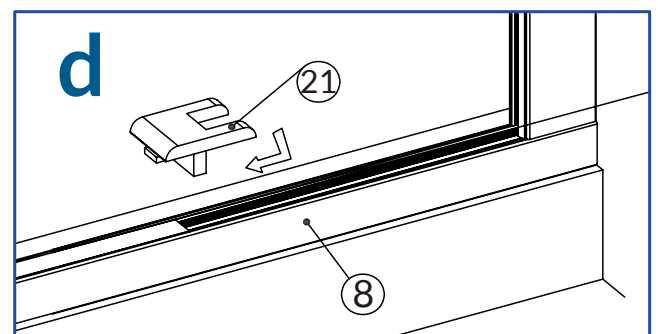
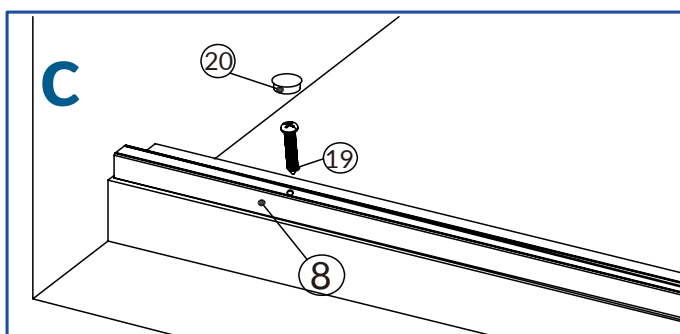
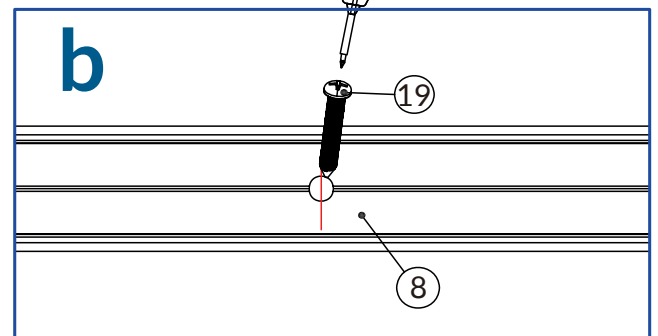
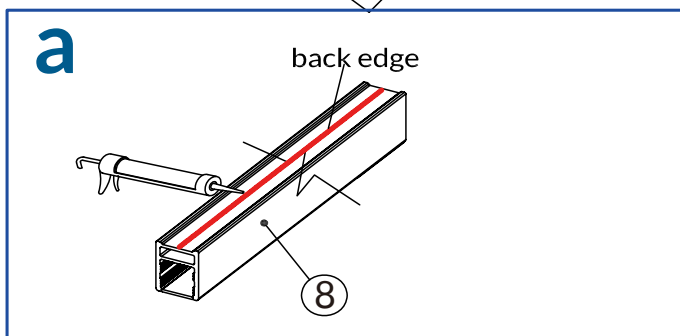


Figure 5



5. Use the Allen Key (22) to loose the screw on the Glass Door Stopper (3) and the Guide Rail Bracket (2). Slide the stopper and then the bracket to the Guide Rail (10).

See Figure 6 for details.

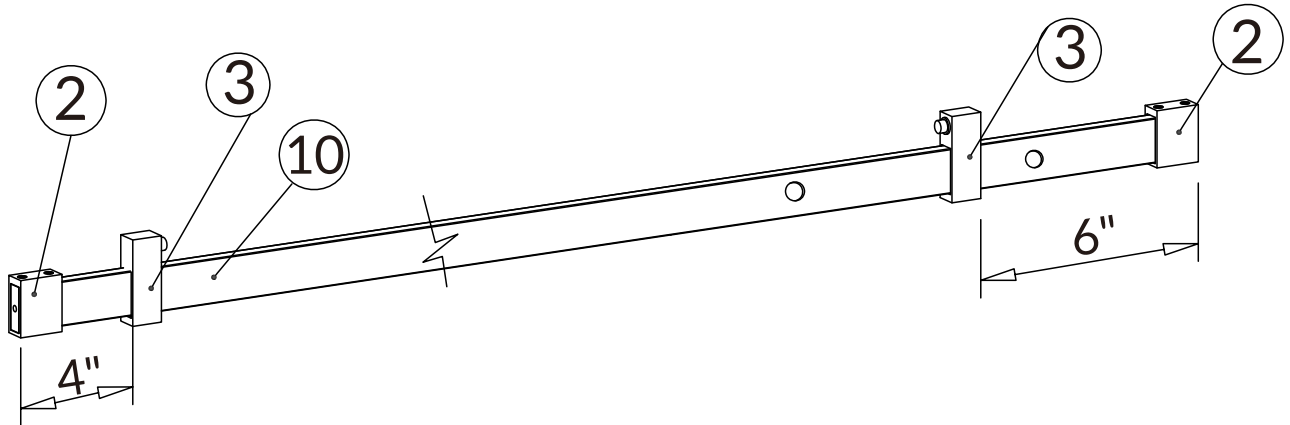
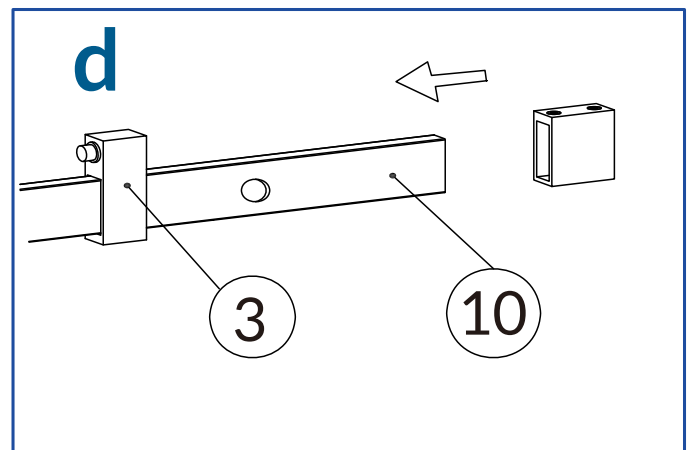
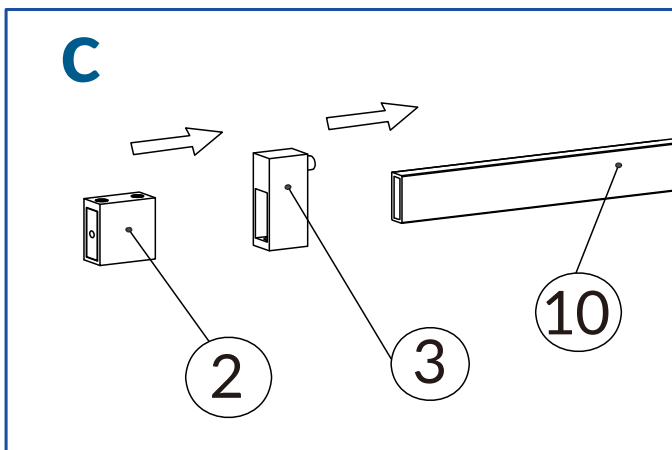
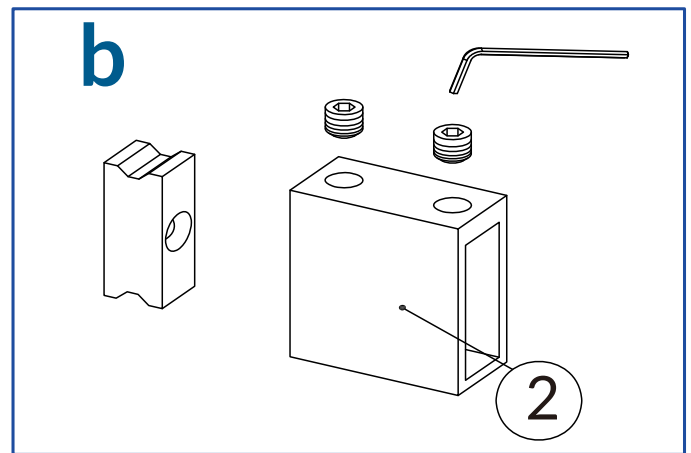
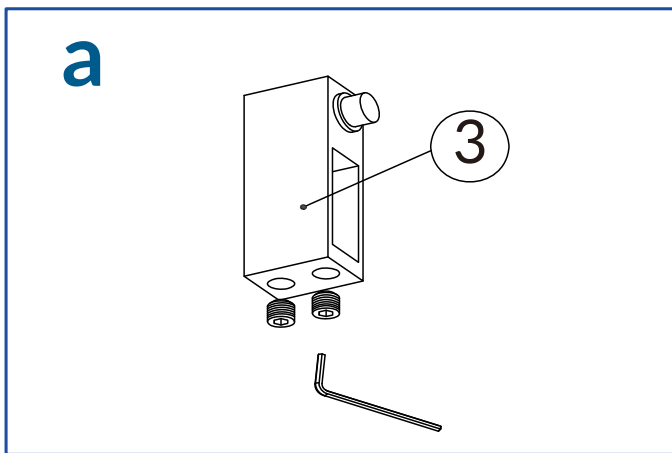


Figure 6



6. Loosen the screw of the Glass Bracket (9) with allen key and then align the screw hole of the glass bracekt with the hole of the Fixed Glass (11), fasten the fixed glass with the Guide Rail (10) together with the glass bracket.

IMPORTANT: Make sure that clear rubber Gaskets are in between the Fixed glass(11) then fasten the Screw , make sure parts are in the right position.Do not let any metal parts come into contact directly with glass,which will damage the glass notches and cause scratches or damage to the Fixed glass(11) .If ignored, could result in serious injury or death.

See Figure 7 for details.

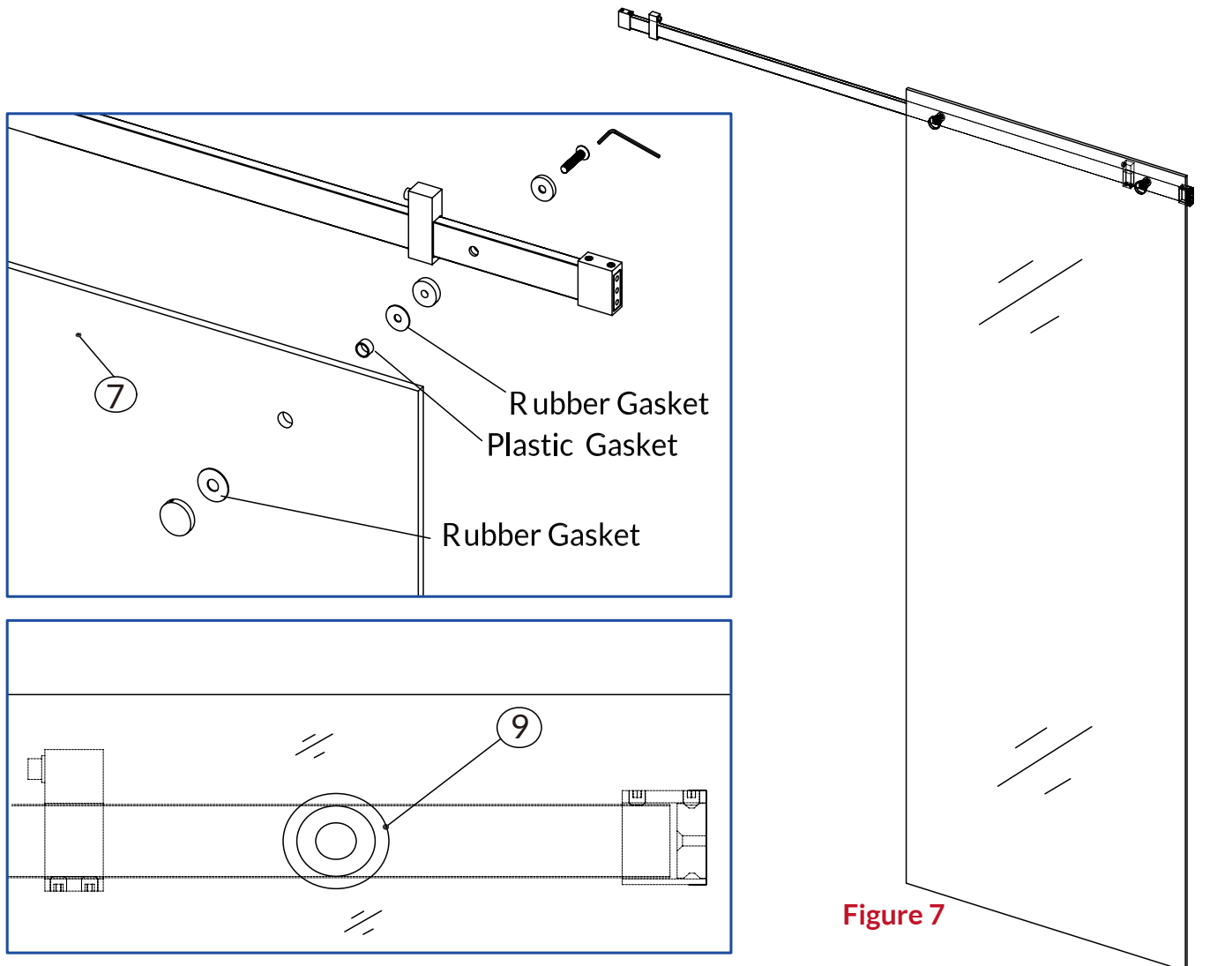
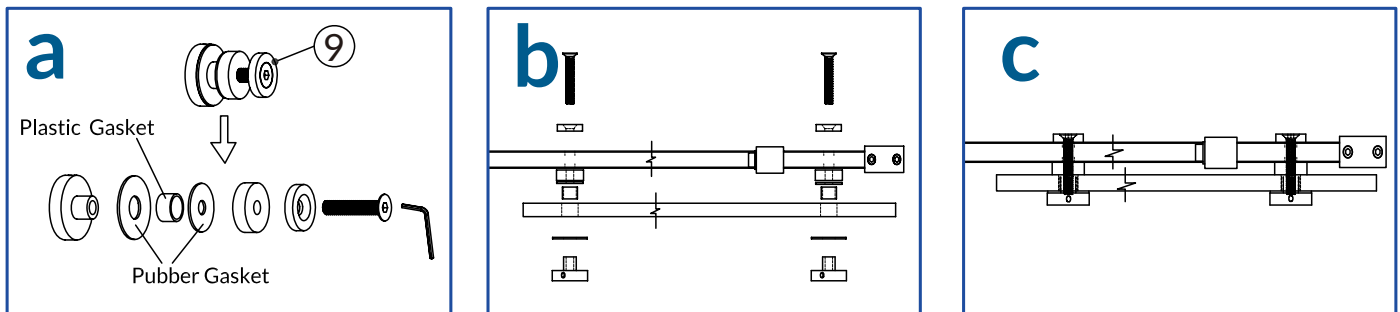


Figure 7

INSTALLATION STEPS

7. Insert the Fixed Glass (11) with the Guide Rail (10) assy into the slot of the Wall Profile (14) and to the slot of the Anti-Splash Aluminum Threshold (8).

See Figure 8 for details.

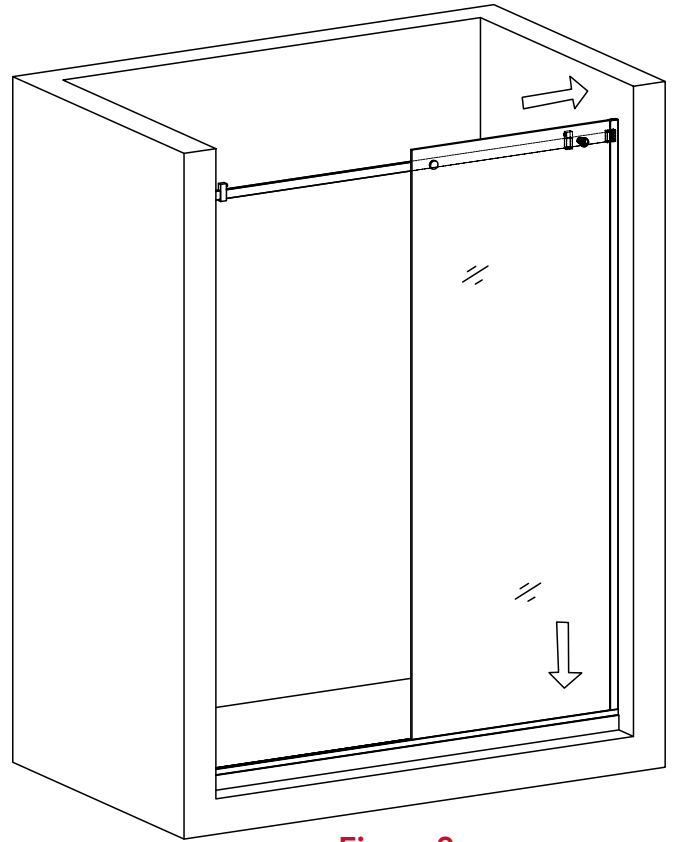
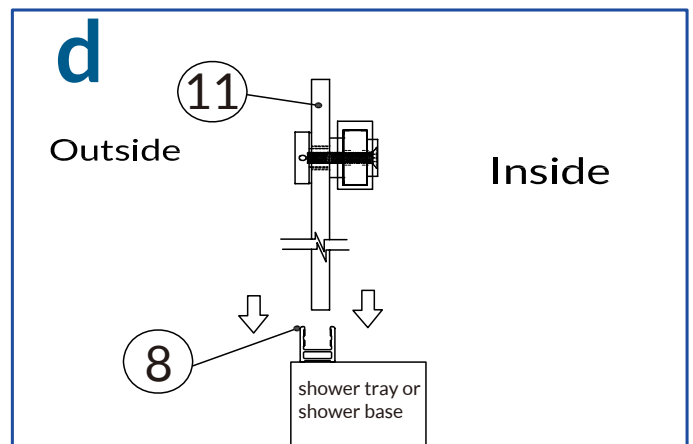
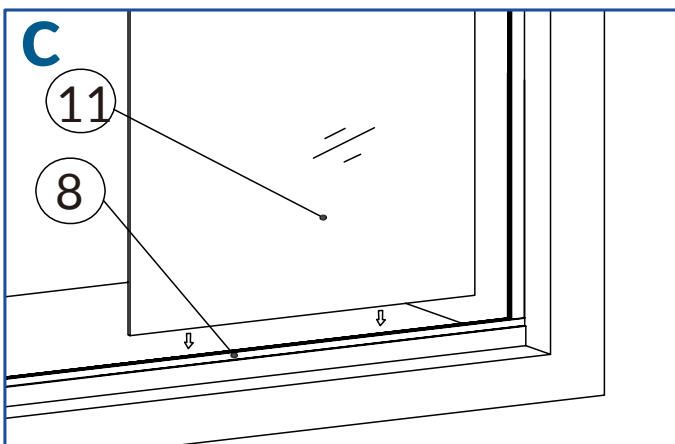
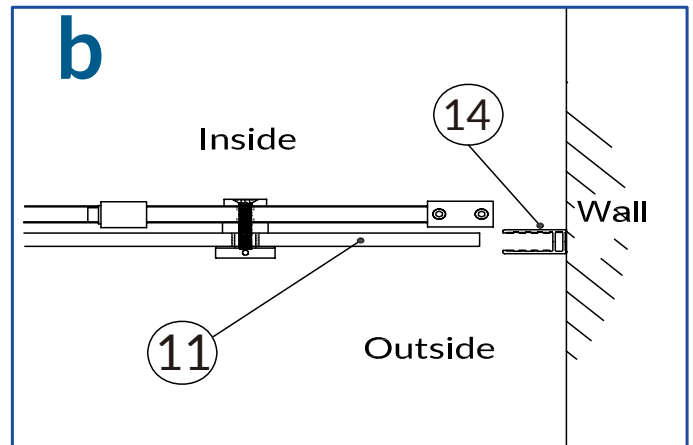
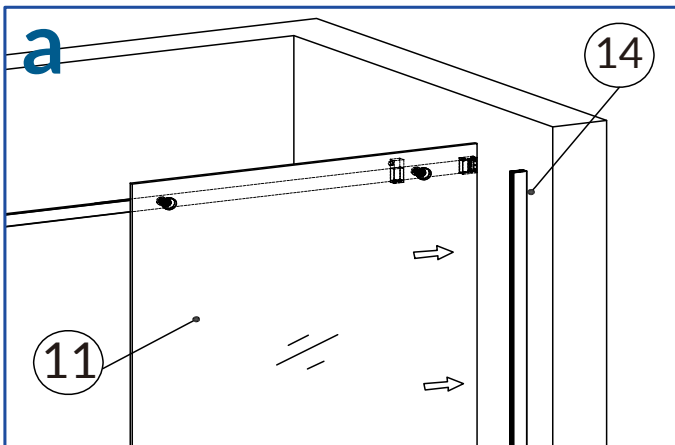


Figure 8



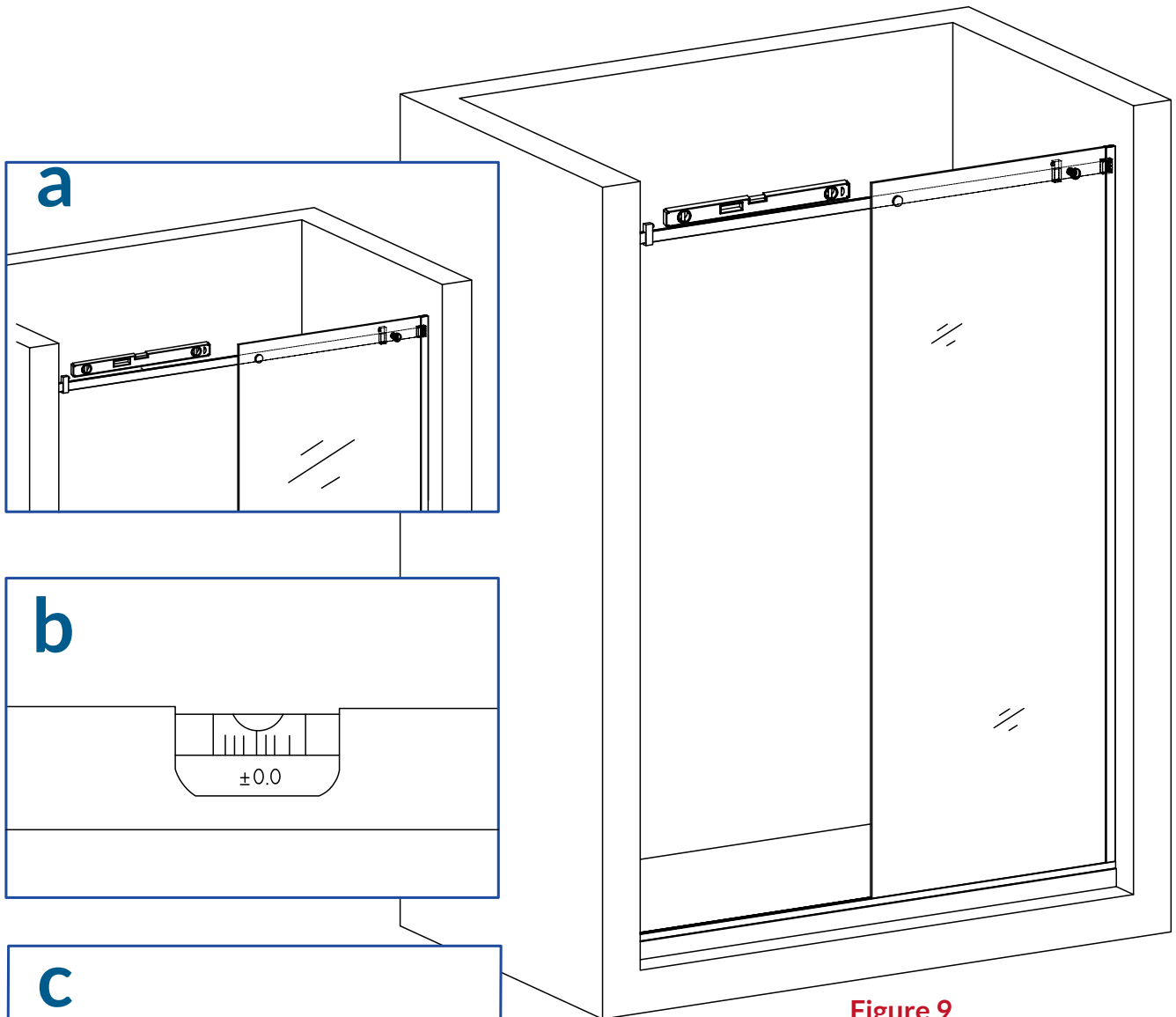


Figure 9

8. Now, level your Upper Guide Rail (10) and tighten up the Glass Bracket (9) with Alleny Key.

See Figure 9 for details.

INSTALLATION STEPS

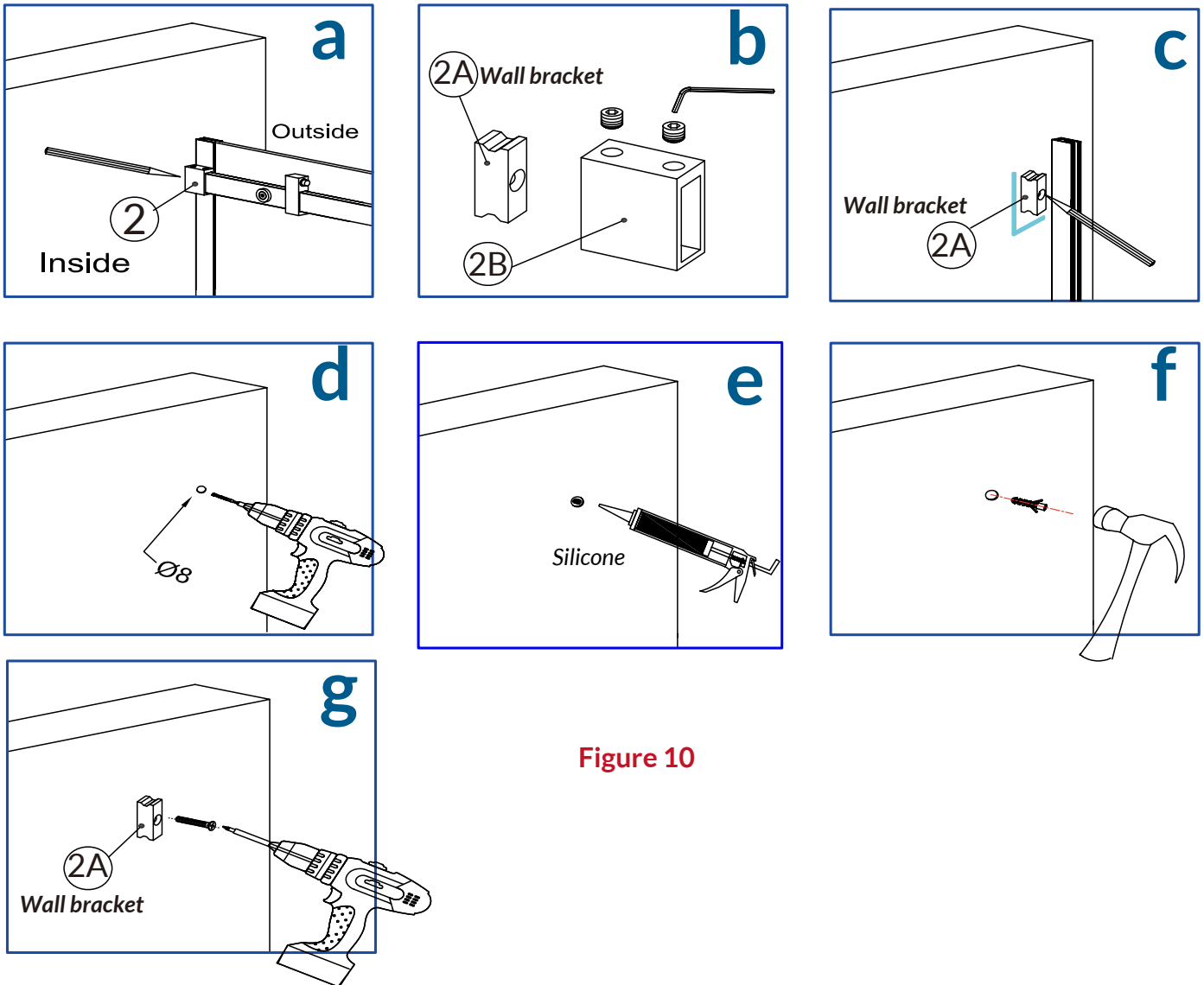
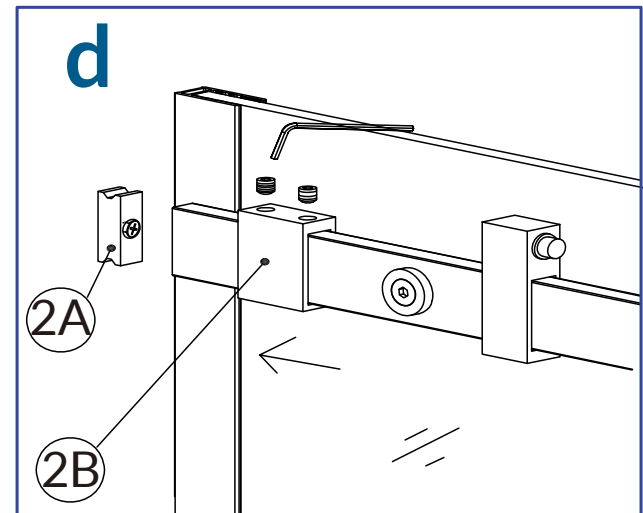
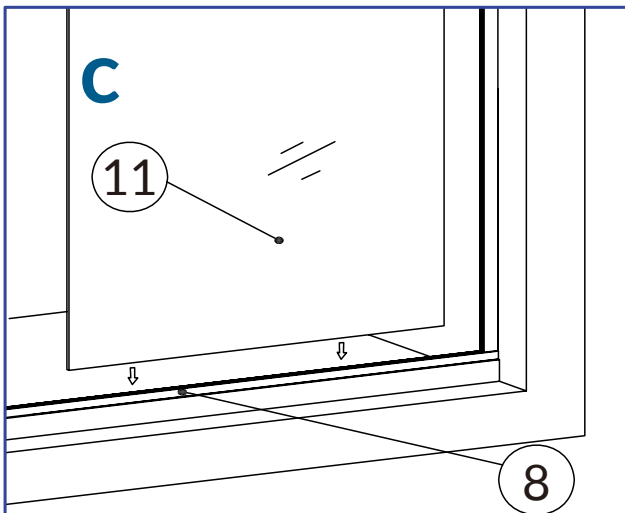
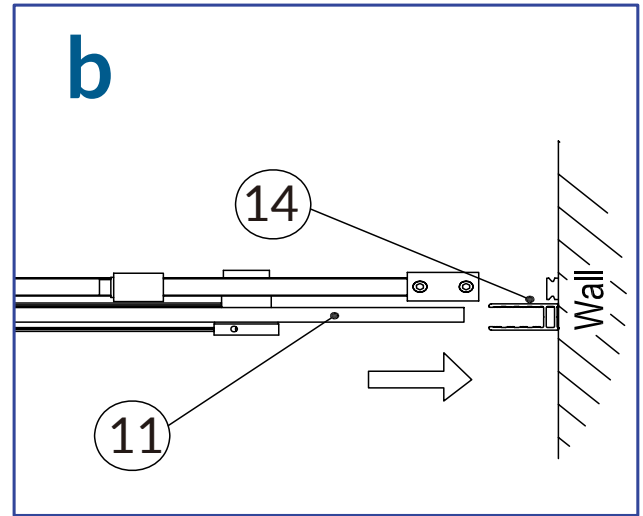
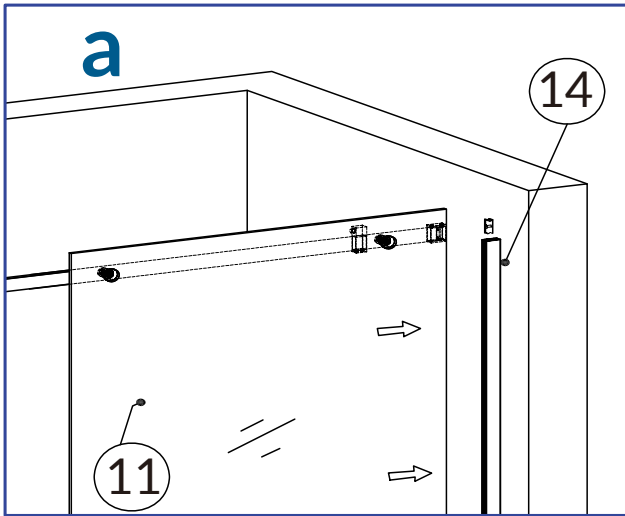


Figure 10

9. Align the Upper Guide Rail (10) and make it horizontal, and then slide the Guide Rail Bracket (2) to attach to the wall. Outline the position of the guide rail bracket on the wall. Put the Fixed Glass Assy away and remove the Guide Rail Bracket from the Upper Guide Rail by loosening the screw on it, and then place the Wall Bracket 2A of the Guide Rail Bracket on the outlined position and mark down the holes for drilling. Now drill the holes with drill bit $\Phi 8\text{mm}$ ($5/16''$) and apply silicone into the holes, insert the Wall Anchor (22) and then fasten Wall Bracket to the wall with Round Head Screw M5X60 (17).

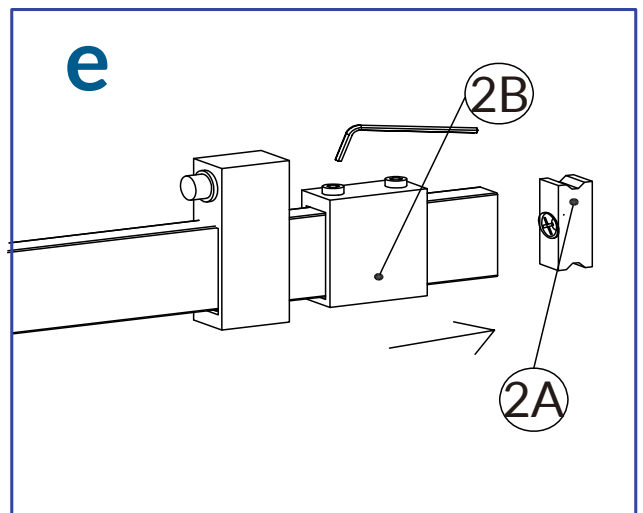
See Figure 10 for details.

NOTE: Follow Fig 10 to assemble other side



10. Put the Fixed Glass Assy into the slots of Wall Profile (14) and Anti-Splash Aluminum threshold (8) again, now slide the Guide Rail Brackets toward the wall and push it against the wall. Use Allen Key (23) to tighten up the screws of the brackets. Slide the Side PVC Strip, long one (15) into the slot of the Wall Profile, between the Fixed Glass (11) and Profile. Slide the Side PVC Strip, short one (15) into the slot of the Threshold, between the Fixed Glass and the Threshold.

See Figure 11 for details.



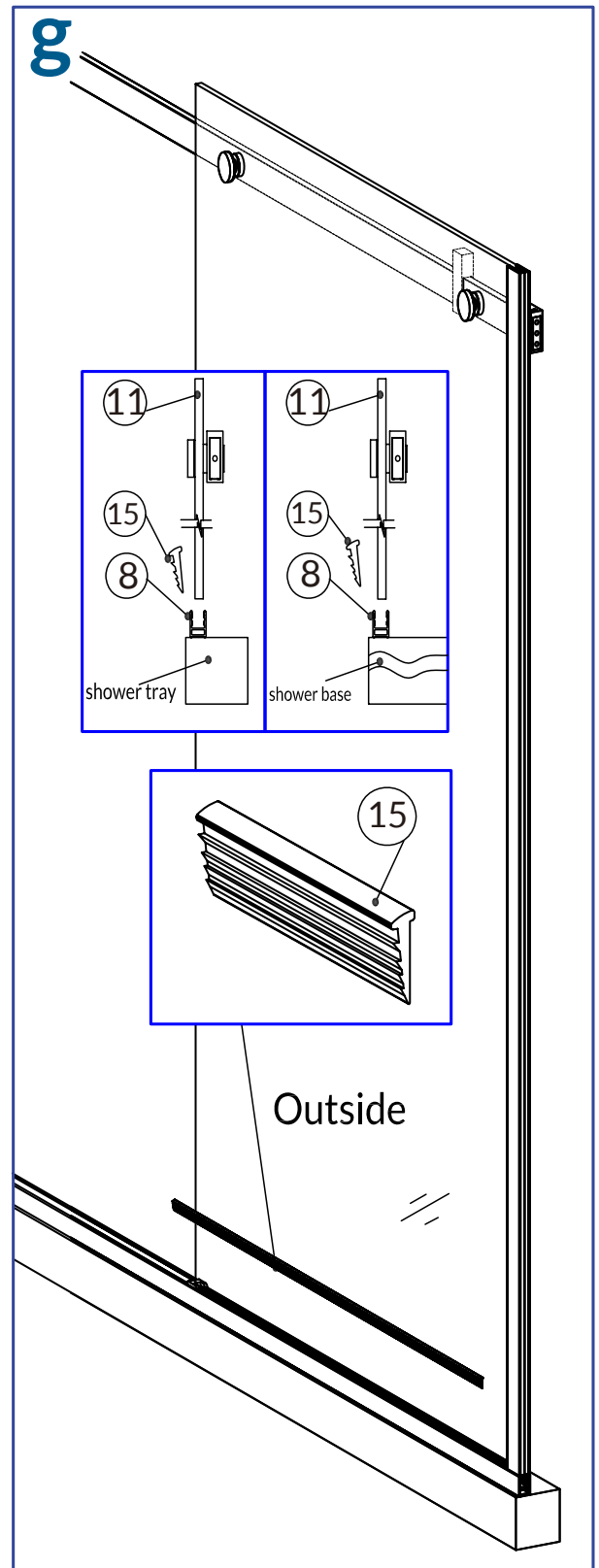
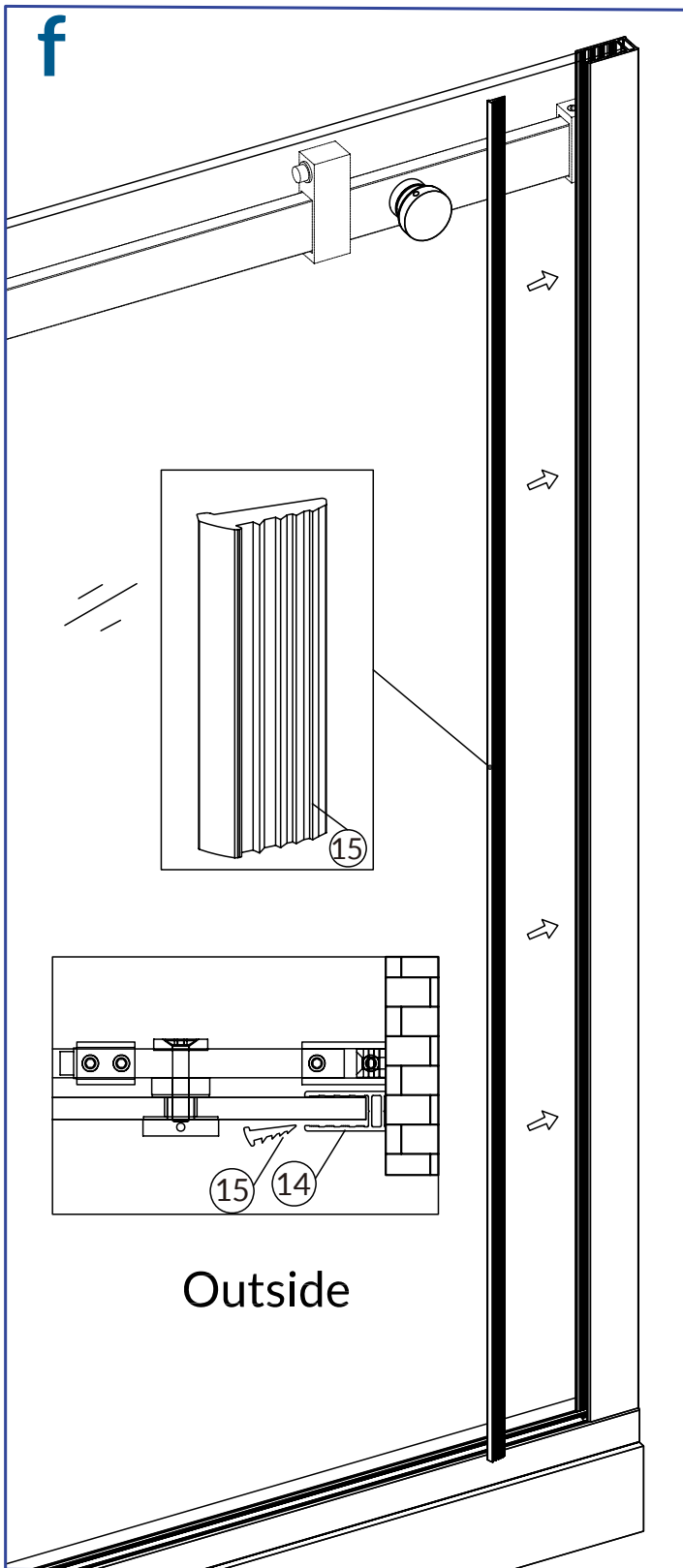
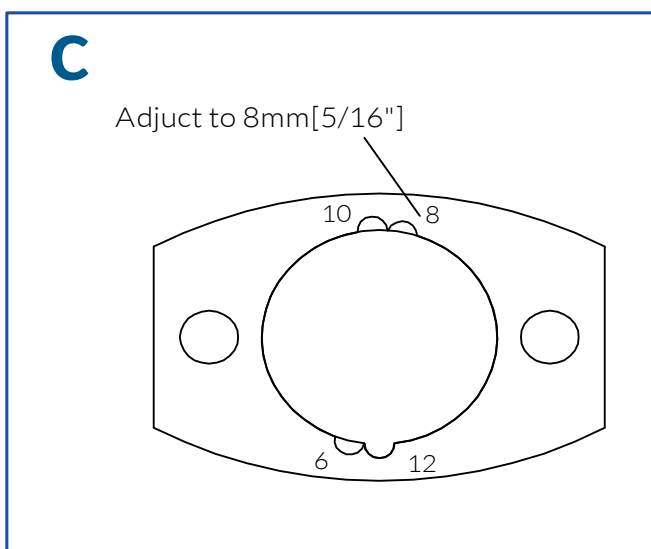
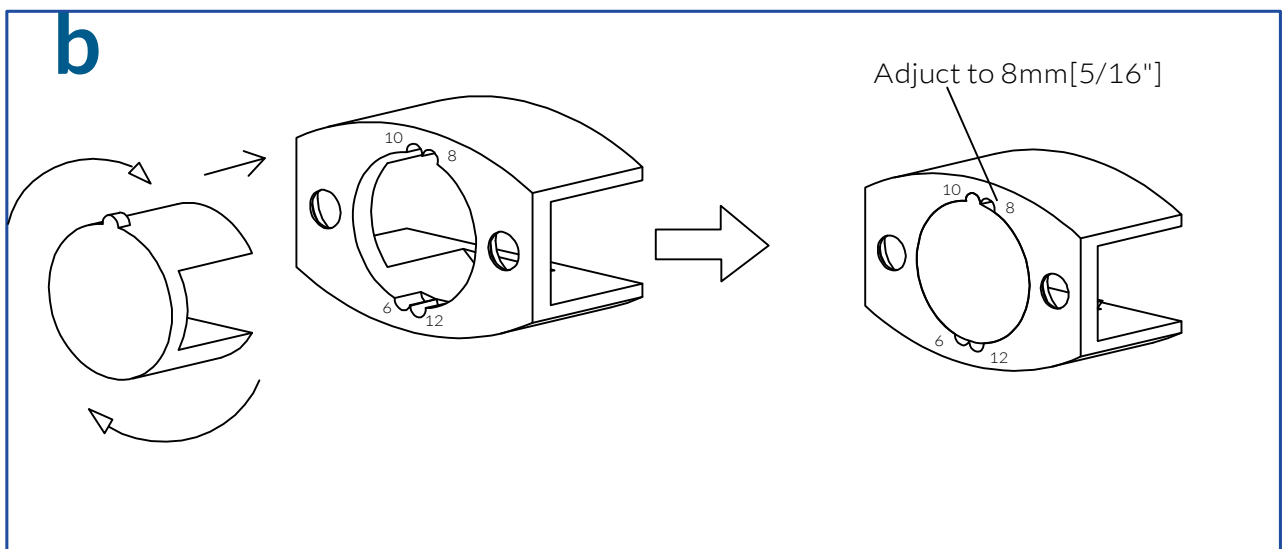
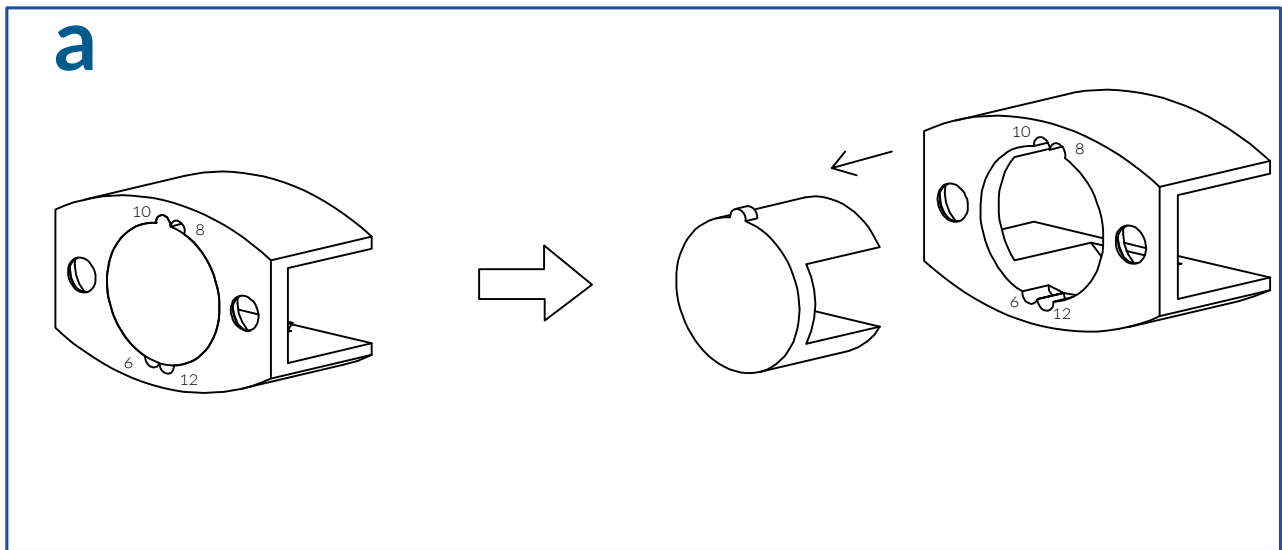


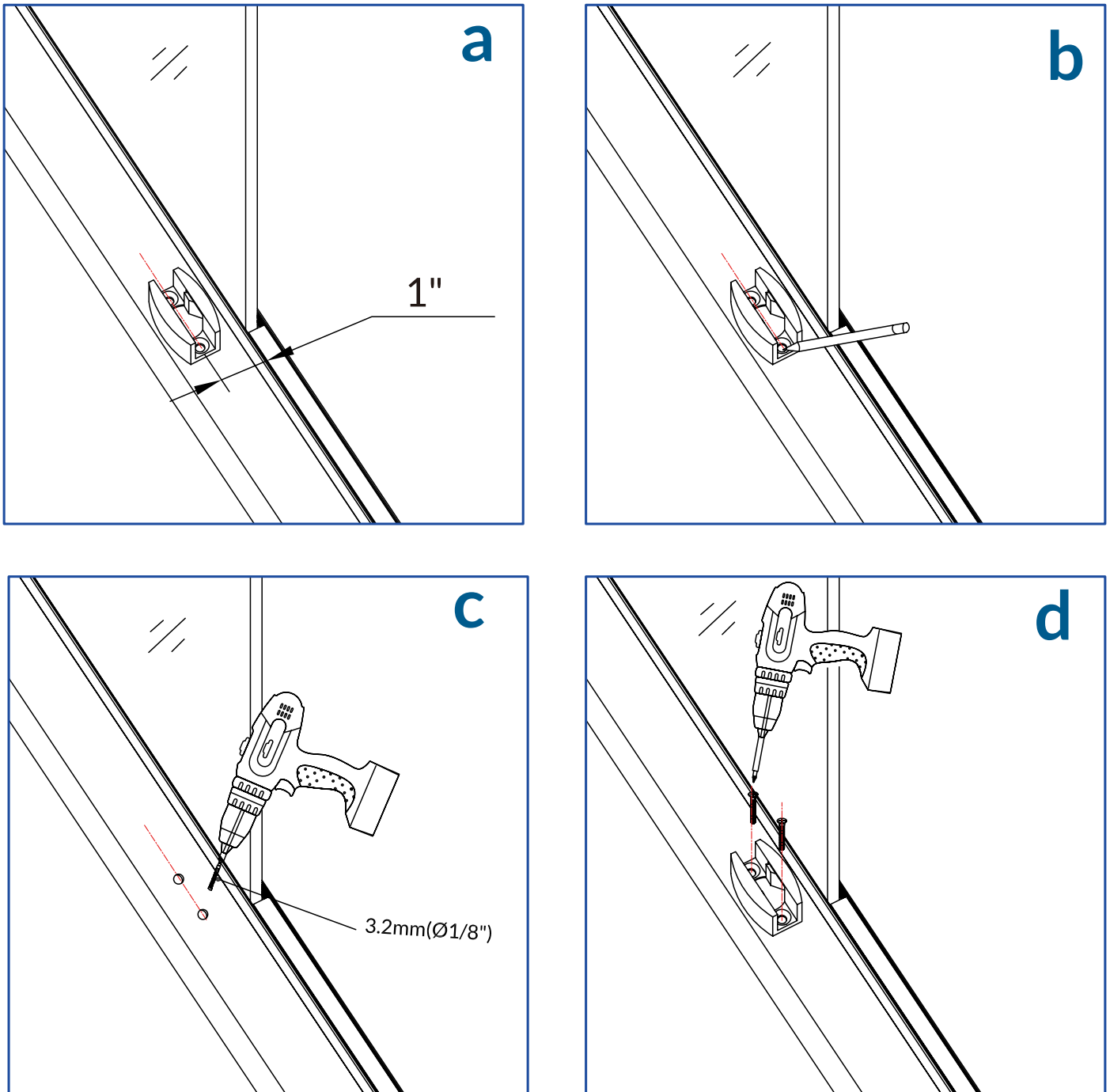
Figure 11



11. The Guide Block (13) can work with 4 types of glass thickness, 1/4", 5/16", 3/8" and 1/2". Usually the Guide Block is pre-adjusted to the thickness of the glass, but it is necessary to check the slot thickness before installing and adjust the guide block to suite the glass thickness.

See Figure 12 for details.

Figure 12


Figure 13

12. Place the Guide Block (13) on the shower base or shower tray and parallel it to the Fixed Glass (11). It should not pass beyond the vertical edge of the Fixed Glass. Take a measurement to ensure the distance between the front line of the glass and the center line of the Guide block is $1 \frac{3}{16}$ ". Hold the guide block firmly and mark down the drilling hole on the shower base or shower tray. Remove the Guide block, now drill the hole using $\text{Ø } 5/16$ " drill bit, insert the Wall Anchor (22) in and then fasten the Guide block to the shower base or shower tray with the Countersunk Screw M5X30 (18).

See Figure 13 for details.

13. Slide the Side Anti-water Strip (12) to the Fixed Glass (11), remove the flapper that interferes with the Guide Rail (10)

NOTE: You can cut the strips to size by using a knife if necessary, do not cut anti-water strips while they are installed on the glass. You must take off the anti-water strip cut them as needed and re-install them. Normally, the strips are pre-cut to the size of the glass door.

See Figure 14 for details.

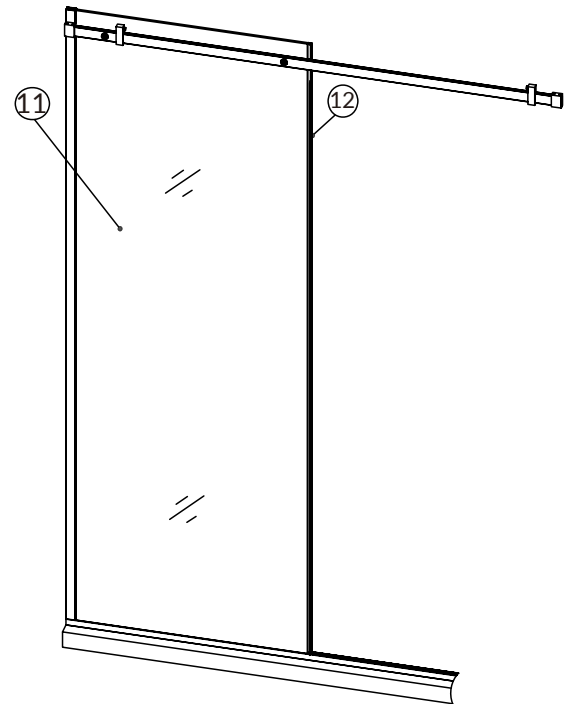
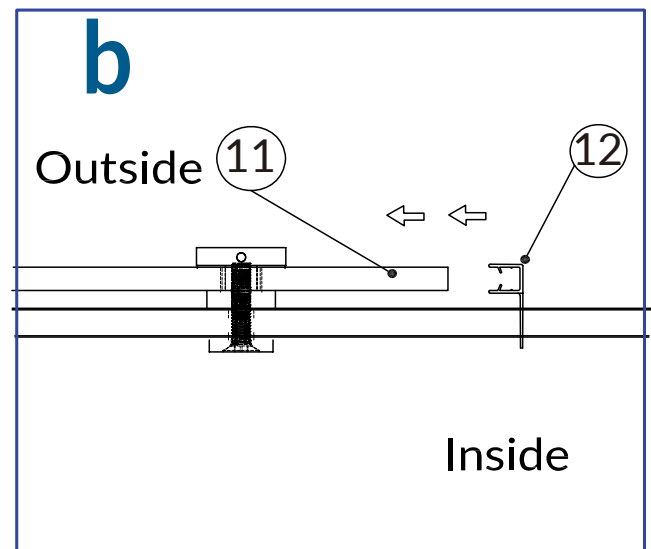
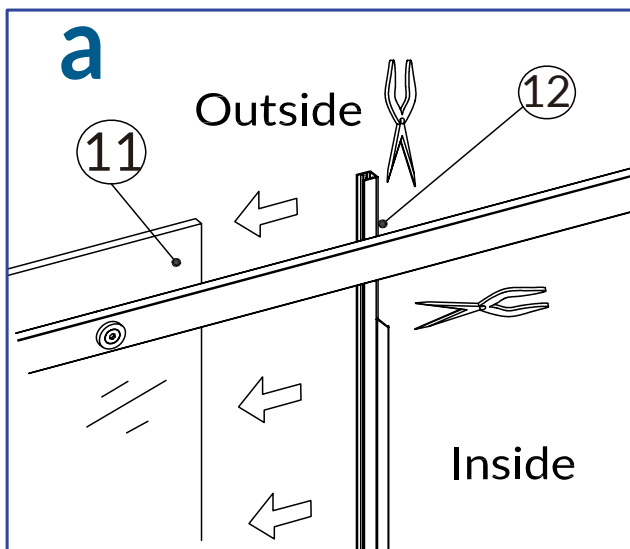


Figure 14



14. Install the Rollers (4) to the Glass Door (7), place Anti-Water Strip (12) and Bumper Strip (1) into the glass door as well. Remember to remove the flapper that interferes with the Guide Rail (10)

NOTE: You can cut the strips to size by using a knife if necessary, do not cut anti-water strips while they are installed on the glass. You must take off the anti-water strip cut them as needed and re-install them. Normally, the strips are pre-cut to the size of the glass door.

See Figure 15 for details.

IMPORTANT: Make sure that clear rubber Gaskets are in between the Glass Door. Then, fasten Screws tightly. Make sure parts are in the right position. Do not let any metal parts come into contact directly with glass, which will damage the glass notches and cause scratches or damage to the glass. If ignored, could result in serious injury or death.

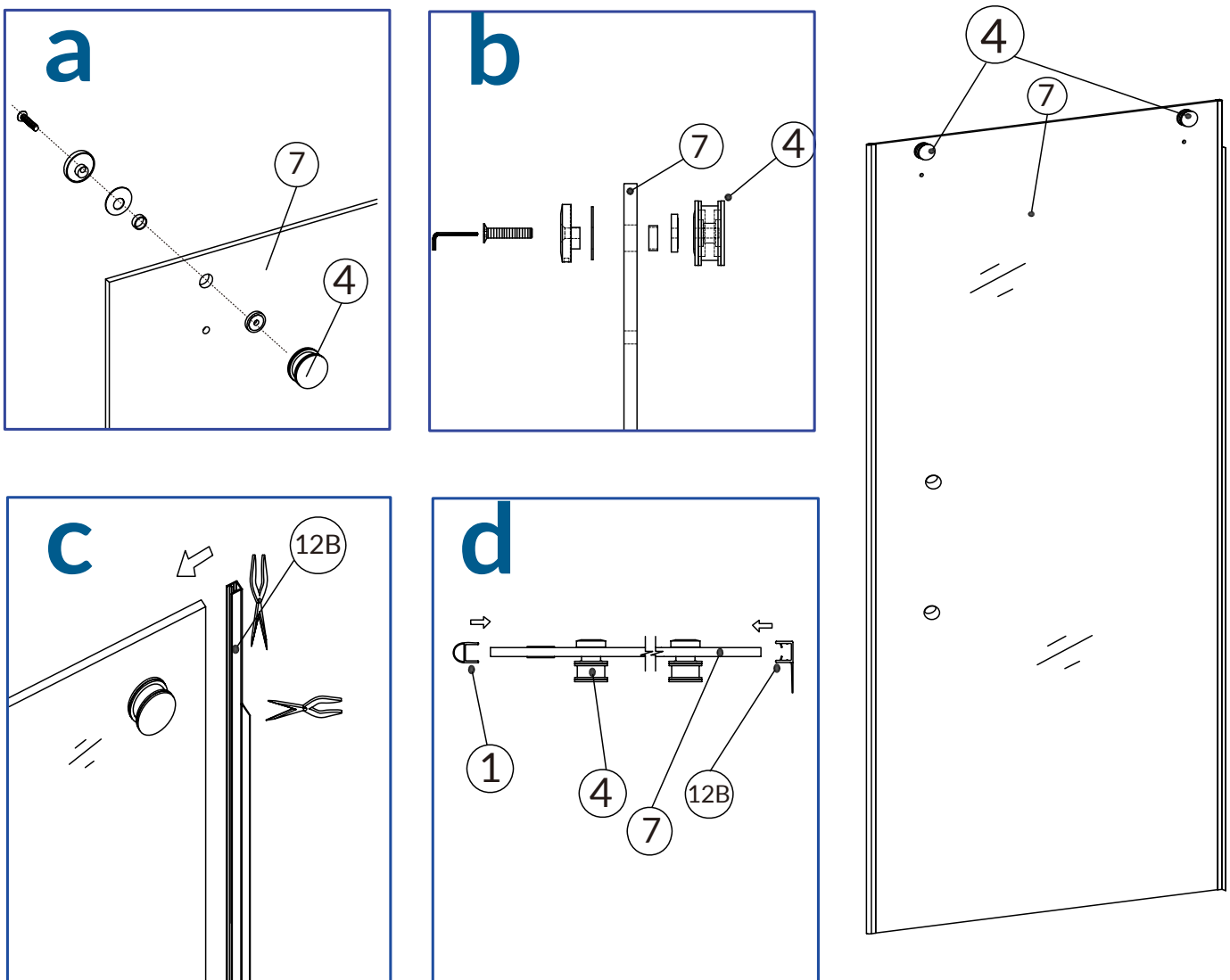


Figure 15

15. Install the Handle (6)

See Figure 16 for details.

IMPORTANT: Make sure that Plastic Gaskets are in between the Glass Door. Then, fasten tighly the Screws. Make sure parts are in the right position. Do not let any metal parts come into contact directly with glass, which will damage the glass notches and cause scratches or damage to the glass. If ignored, could result in serious injury or death.

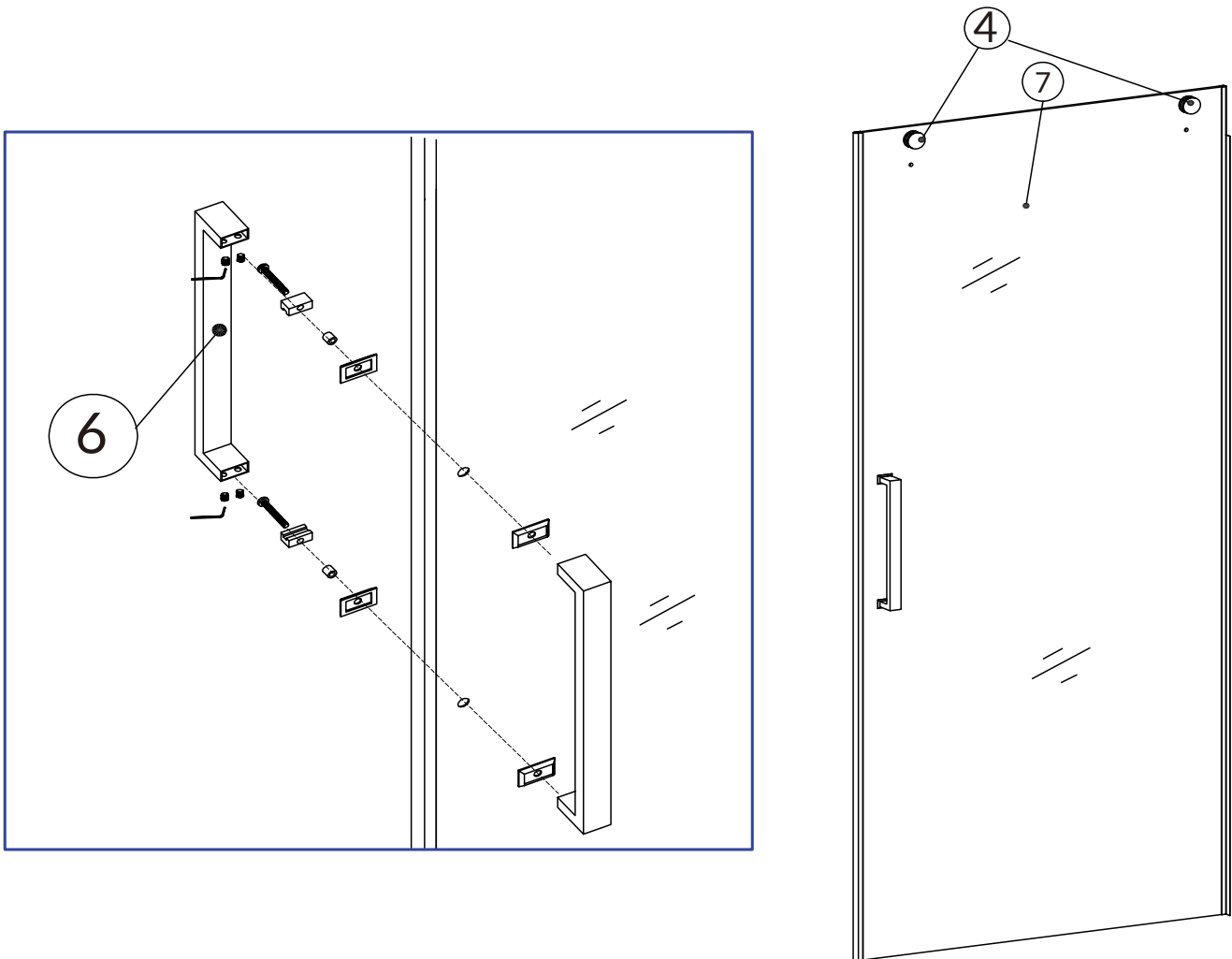
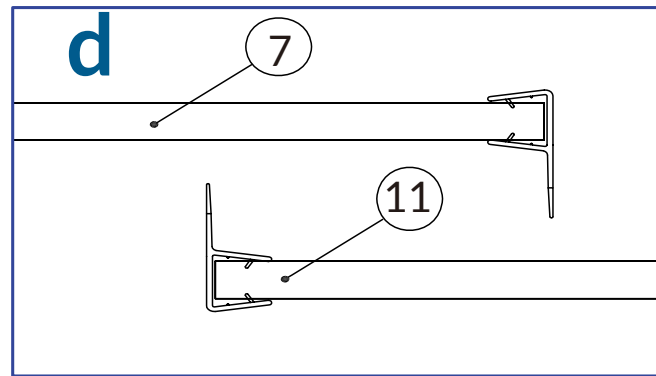
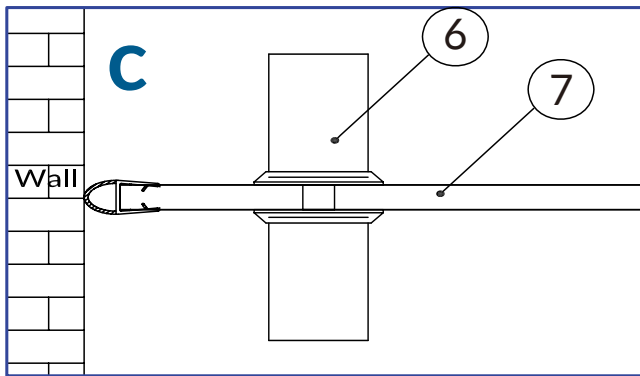
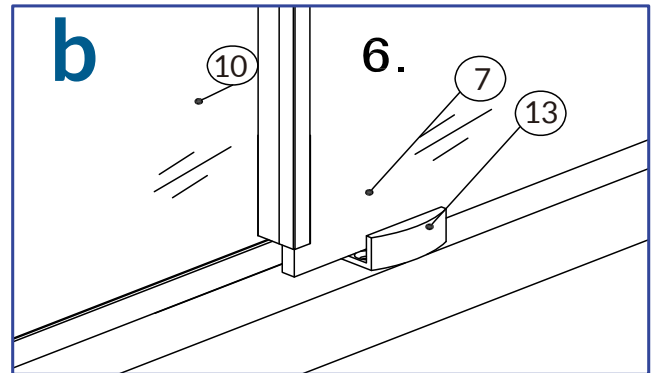
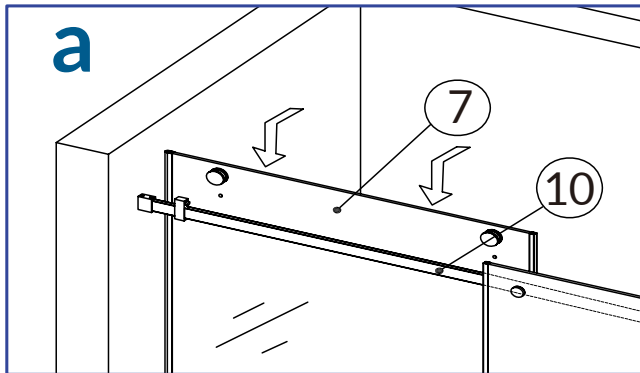


Figure 16



16. Hang the Glass Door Assy with Rollers and Handle to the Guide Rail (10), make sure that the Rollers (4) are against the Guide Rail, now adjust the Glass Door (7) and slide the bottom edge of the Glass Door into the groove of the Guide Block (13).

See Figure 17 for details.

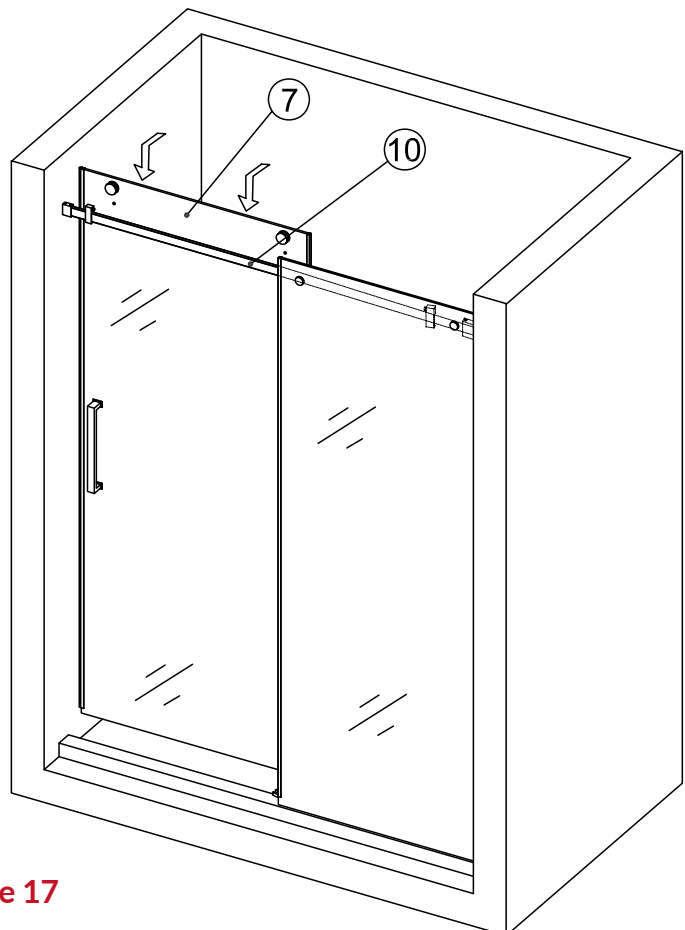


Figure 17

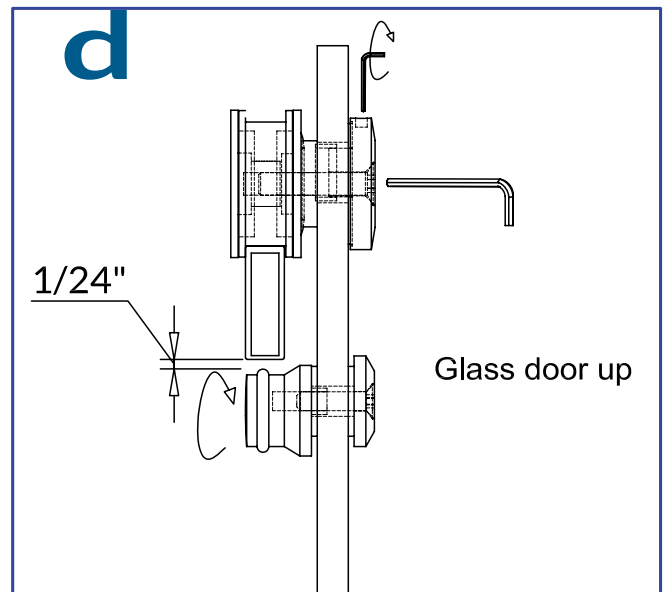
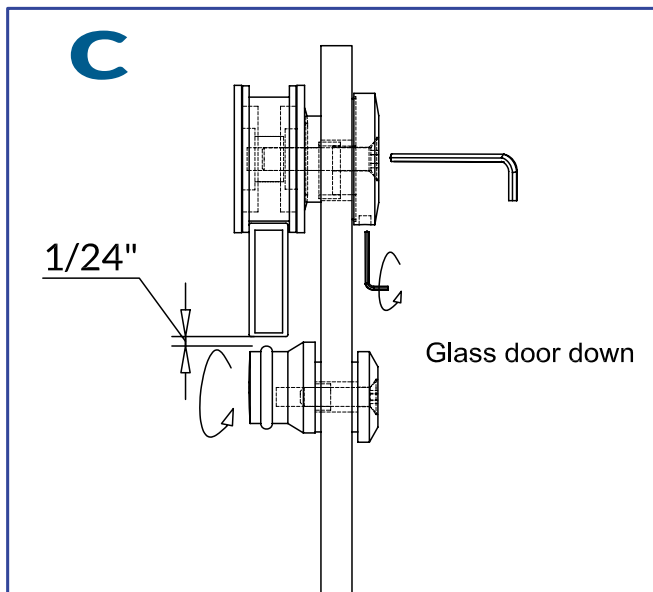
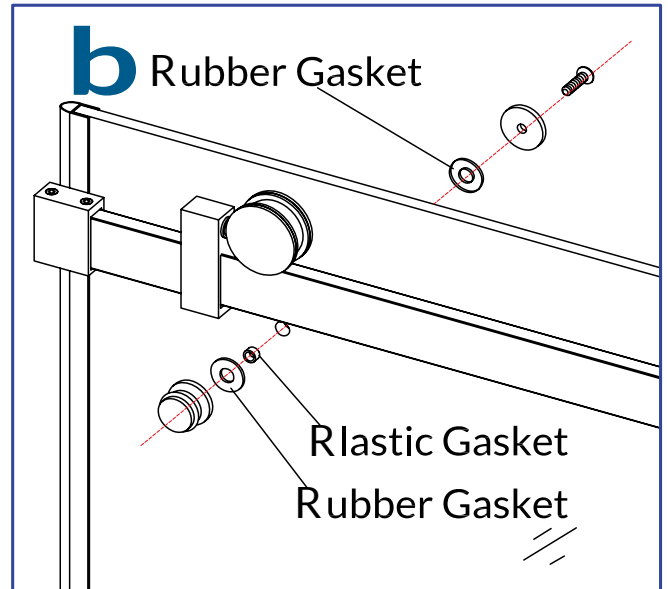
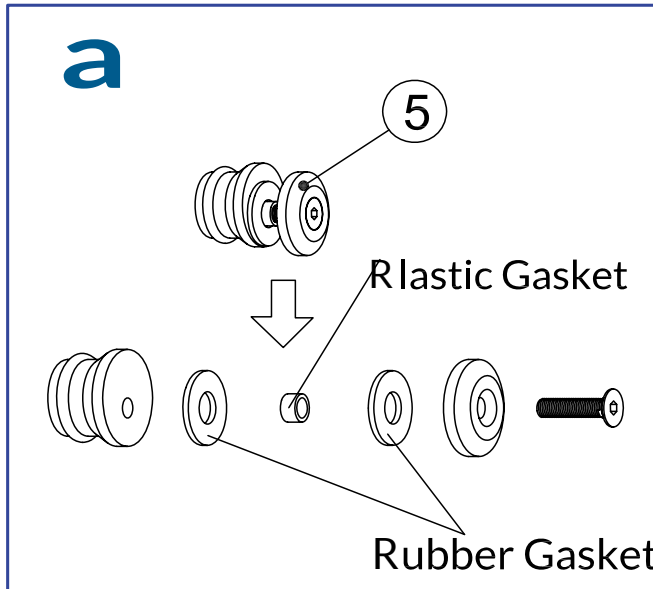


Figure 18

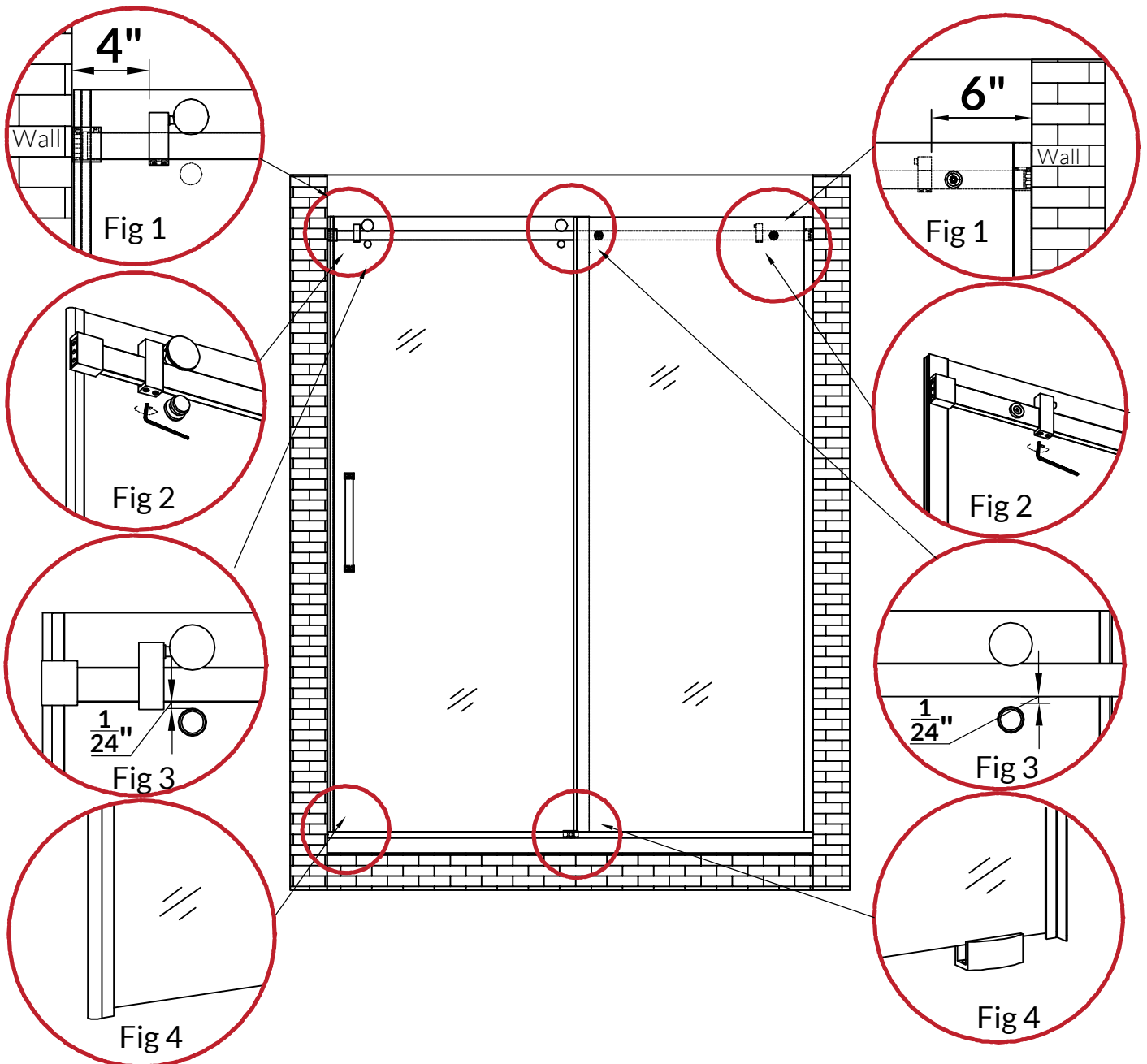
17. Install the two Safety Pin (5) to the Glass Door (7). The roller is off-centre, adjust the roller to make the glass door move higher or lower and make sure that the glass door will not rub against the guide block (13) and ensure the bumper strip to push against the wall.

IMPORTANT: Make sure that clear rubber Gaskets are in between the Glass Door. Then, fasten tightly the Screws. Make sure parts are in the right position. Do not let any metal parts come into contact directly with glass, which will damage the glass notches and cause scratches or damage to the glass. If ignored, could result in serious injury or death.

See Figure 18 for details.

⚠
EXTREMELY IMPORTANT!
⚠

The instructions specified and described on this page are extremely important and are required during installation and regular technical maintenance of the product. Ignoring and/or avoiding to complete these instructions during installation or regular technical maintenance of the product may and will result in damage to the product such as shattering and breakage of any and/or all glass parts that may and will cause severe personal injuries or death of a person operating improperly installed or improperly maintained door. Installer of the product must be only licensed and experienced contractor and has to read and follow all of these instructions during installation and/or regular technical maintenance of the product.





EXTREMELY IMPORTANT INSTALLATION & TECHNICAL MAINTENANCE INSTRUCTIONS!



A licensed and professional contractor has to comply with the required specifications and dimensions illustrated on this diagram during installation and technical maintenance of the product.

1. To avoid the Glass Door hitting a wall during opening and closing, make sure that the distance between the Glass Stoppers and the wall is not less than 6" for Stationary Glass Panel and 4" for Glass Door. (See Figure 1)
2. Glass Stoppers has to be installed very tight to the Upper Guide Rail and must not move. Double check if all screws on the Glass Stoppers are tight. Tighten the screws if necessary. (See Figure 2)
3. Make sure that the distance between the Safety Pin and the Upper Guide Rail is not over 1/24" (1.0 mm). The distance between the Safety Pin that is set right under the Upper Guide Rail must be as short as possible. The shortest distance will ensure that the Glass Door will not shake in the Guide Block during opening and closing. (See Figure 3)
4. The A-Shape Anti-Water Strip and Side Anti-Water strip must be 1-2 mm longer than the Glass Door to make sure that the glass corner will not contact the wall directly.(See Figure 4)
5. Double check front and back surfaces, all sides, and all corners of the Glass Door and Stationary Glass Panel to make sure that the glass parts are in perfect condition without any scratches, and/or dents. If any type of breakage and/or other imperfection is found do not install the affected glass part.

EXTREMELY IMPORTANT TECHNICAL MAINTENANCE STEP!

After installation use the shower door for approximately 2-3 weeks or 20-25 times (whichever comes first). After that be sure to re-inspect all screws, make sure they are tight and tighten them if necessary. Repeat the adjustments if necessary.

By installing and operating this product the installer and the owner of the product acknowledge, understand, and agree to follow all of the installation and technical maintenance procedures and/or policies described in this installation instructions manual including this page. If you do not understand or agree to any or all of these instructions or policies do not install or operate the product. Failure to follow and/or comply with any or all of the instructions and policies will void any warranty of the product and will automatically remove any and all liability from manufacturer and/or distributors of the product.

18. Apply clear silicone sealant between the threshold and shower tray or shower base. Also, apply silicone between the wall and the wall profiles.

WAIT 24 HOURS BEFORE USING THE SHOWER ENCLOSURE

See Figure 19 for details.

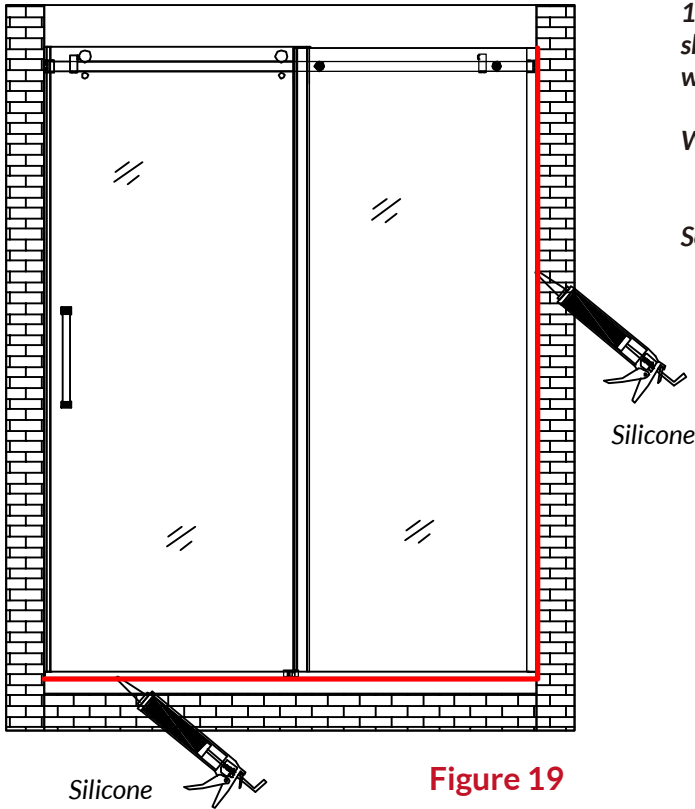


Figure 19

TUB DOORS INSTALLATION the same as SHOWER DOORS

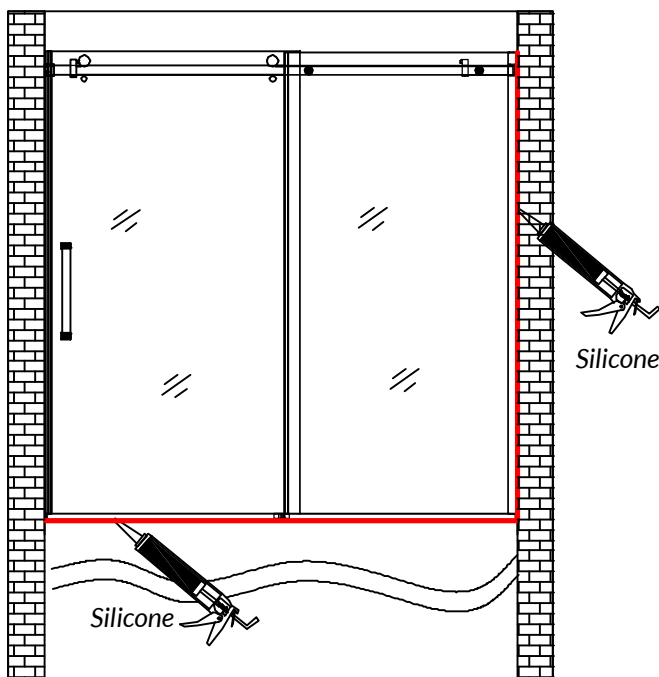


Figure 19

**IMPORTANT:
MUST ALLOW SILICONE TO DRY FOR 24 HOURS BEFORE
STARTING USING THE SHOWER ENCLOSURE**



Maintenance & Care

IMPORTANT!

DO NOT USE: Abrasive cleaners such as: acid, ammonia, bleach, and similar solutions. Use of such solutions may cause corrosion, finish peeling, and/or dull the surface.

DO NOT USE: Abrasive sponges or cloth. Never use steel, wool, or wired brushes that will permanently scratch the surface.

After installation use the shower door for approximately 2-3 weeks or 20-25 times (whichever comes first). Be sure to re-inspect all screws, make sure they are tight and tighten them if necessary. Repeat this adjustments when necessary.

When opening and closing the glass door. Be sure not to slam it. Always, open or close the glass door gently. Never slam the shower door against glass shower enclosure panel or wall. Slamming the glass door will cause immediate shattering and will cause personal injury or death.

Never leave kids unattended. Be sure to explain safety rules and train kids how to use the shower door to prevent any injuries or death. It is very important to inform all family members living with you about this safety operation instructions.

Long lasting life is guaranteed while maintaining proper care of your shower door and/or enclosure. To prevent a build-up of soap, after each use, rinse the glass and wipe it with a glass squeegee and soft cloth material. Glass parts may be cleaned with designated cleaning solutions only. All hardware parts must be cleaned with designated cleaning solutions only. Hardware parts must be cleaned at least once a week. When applying stainless steel cleaner or polish, work with grain, not against grain.

**INSTALLATION OF LESSCARE PRODUCTS BY AN
INEXPERIENCED INSTALLER MAY RESULT
PERSONAL INJURY OR DEATH!**

LessCare is not responsible for local code compliance. Building and plumbing codes may vary from state-to-state in accordance to your location. LessCare is not responsible for providing any compliance certifications.

LessCare products must be installed by a fully insured and licensed professional only. Installation of any LessCare product by anyone other than fully insured and licensed professionals shall **void limited warranty**. LessCare recommends that such licensed professionals have experience in the installation of products. This limited warranty voids on any commercial installation.

Retain these installation instructions for future reference!



Thank you for using LessCare products!