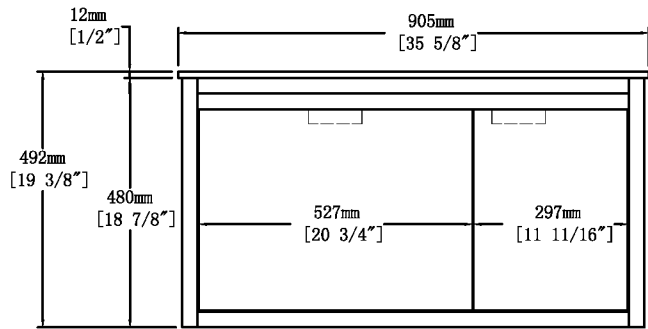
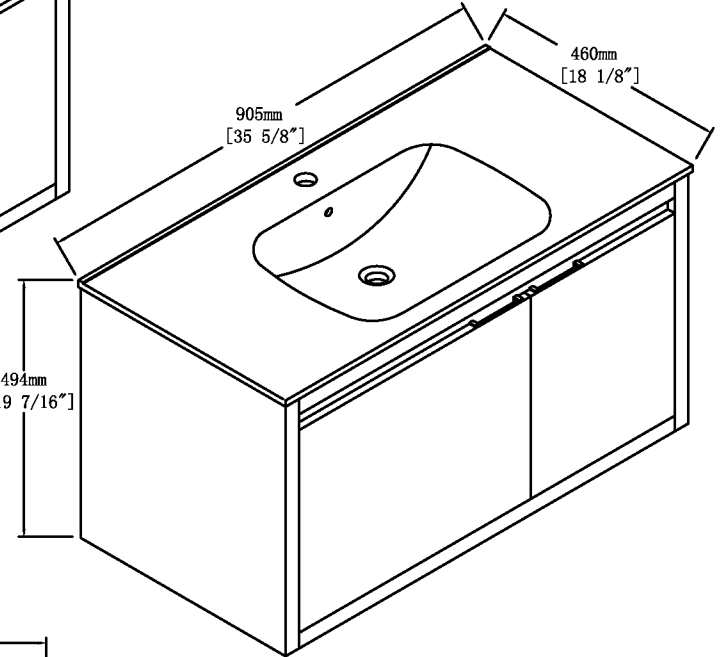
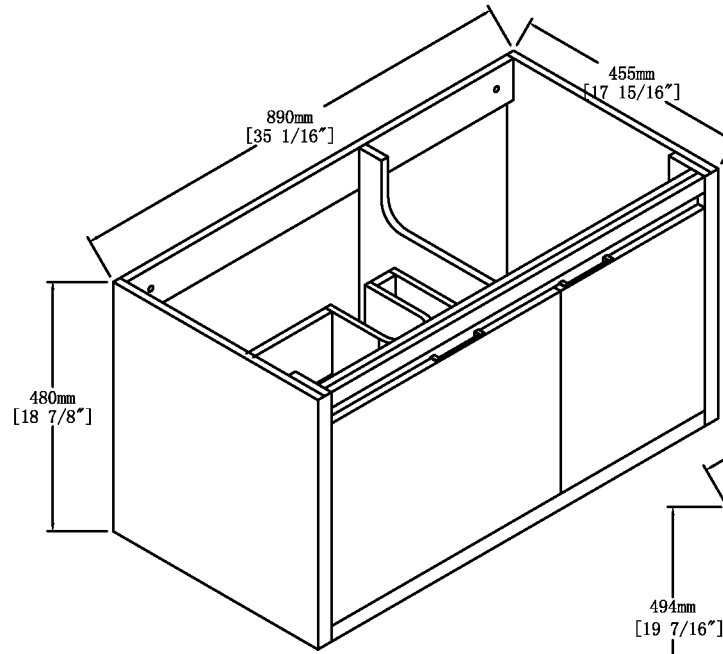
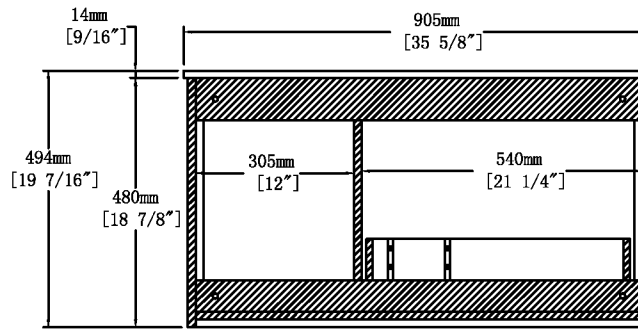


Top View



Front View



Front View