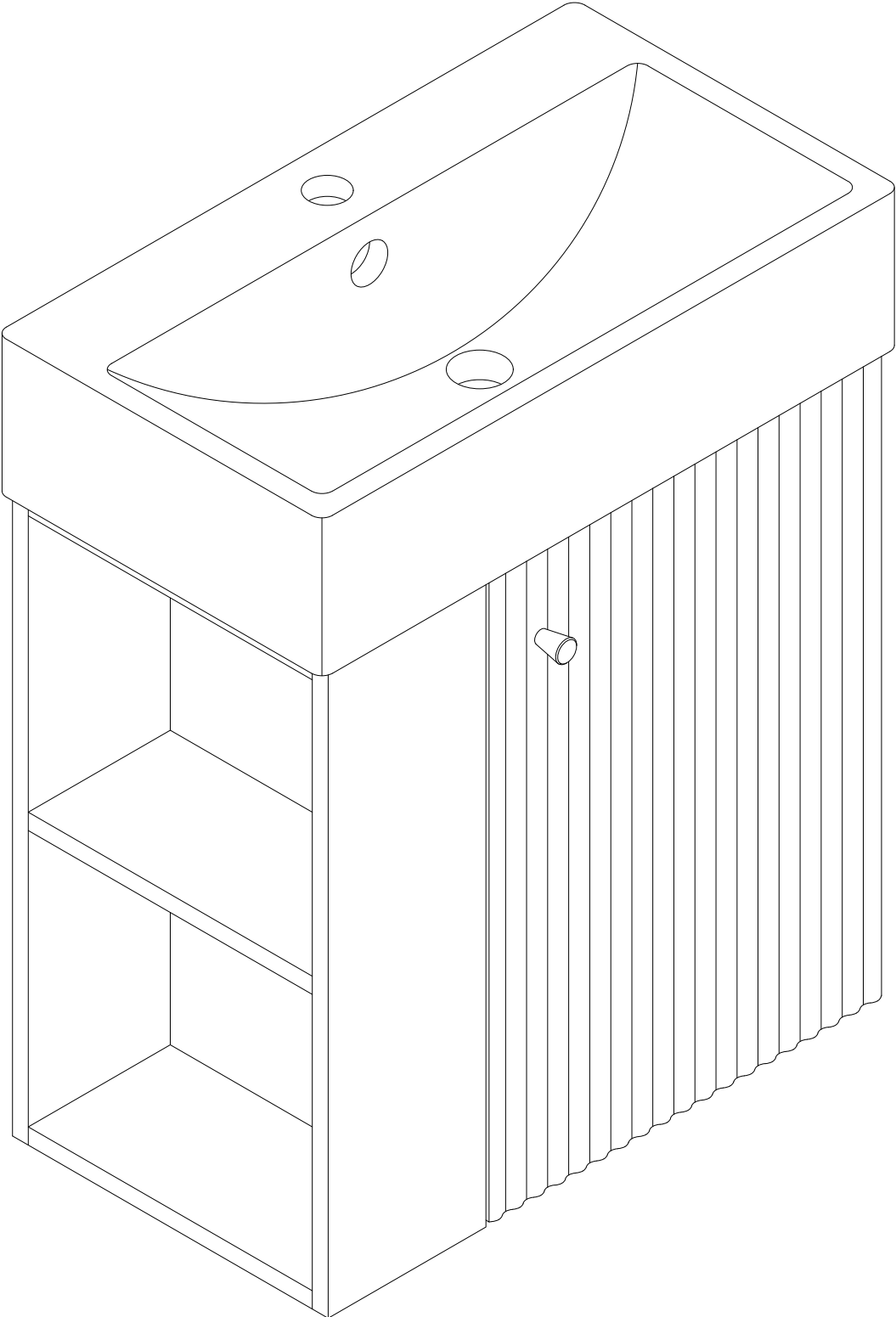
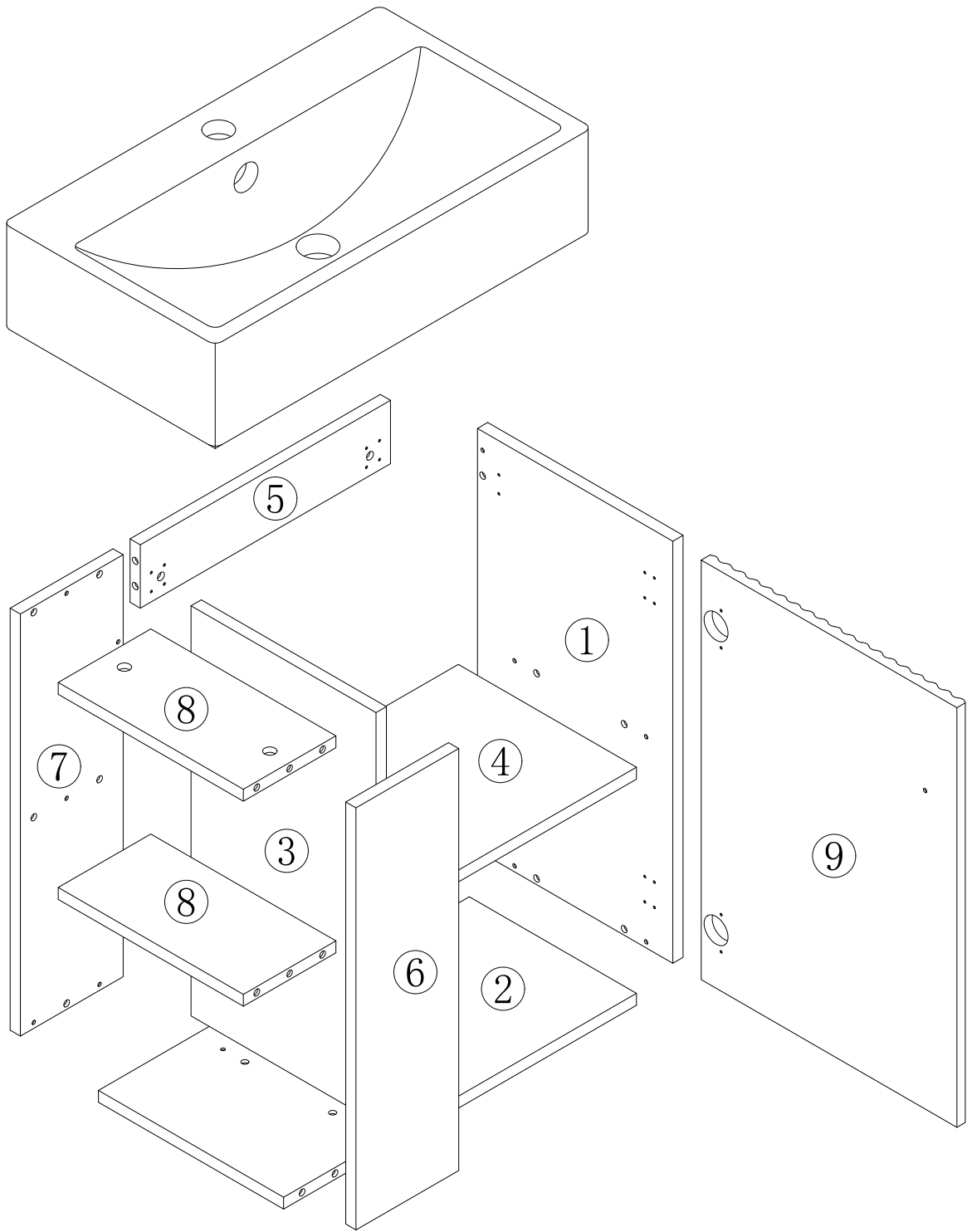
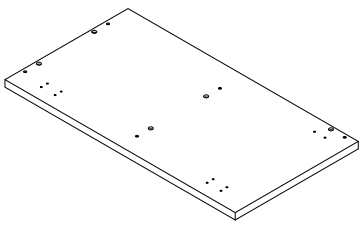
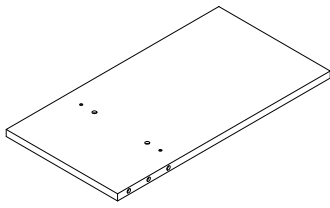
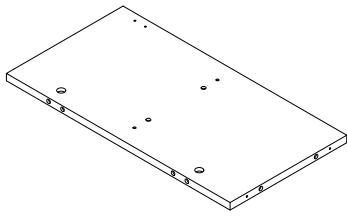
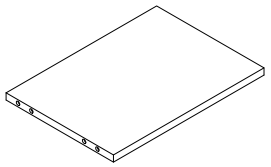
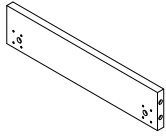
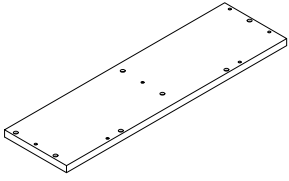
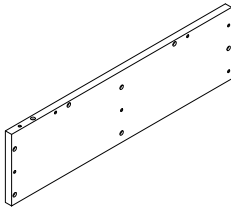
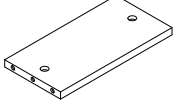
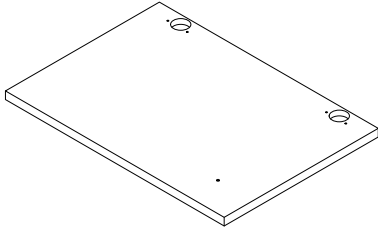


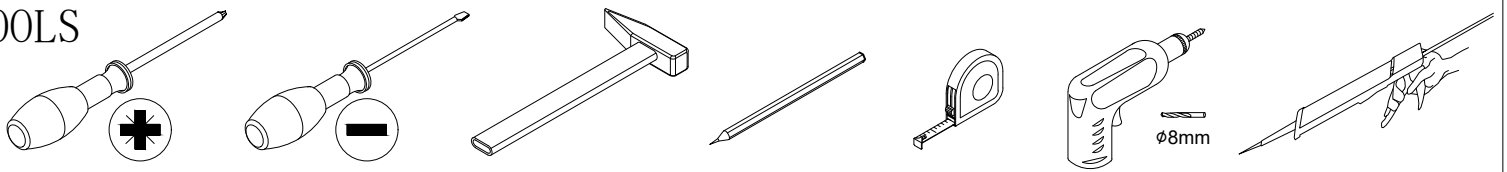
# ASSEMBLY INSTRUCTION

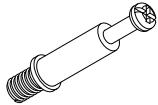




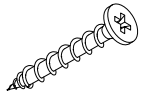


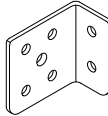
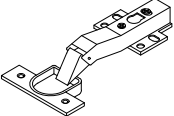
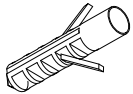
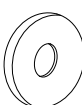
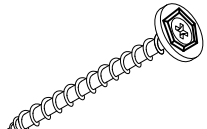
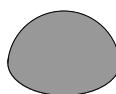






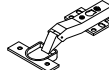
			
① x1	② x1	③ x1	④ x1
			
⑤ x1	⑥ x1	⑦ x1	⑧ x2
			
⑨ x1			

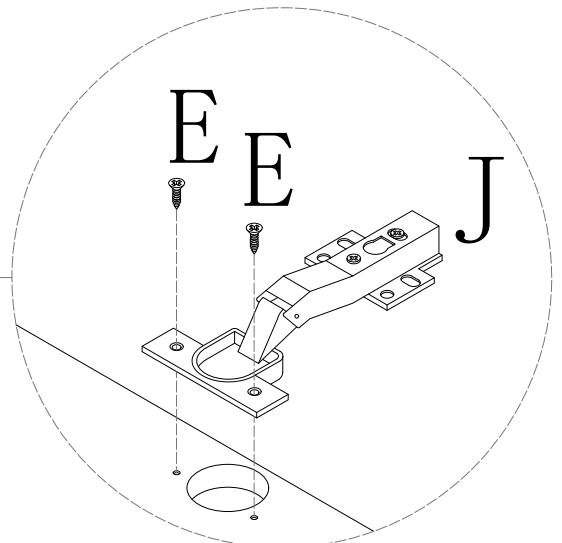
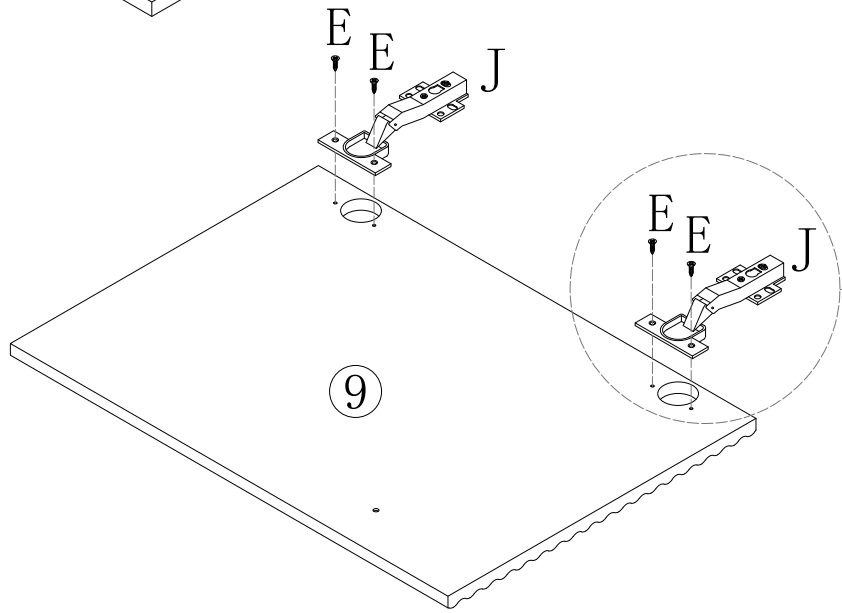
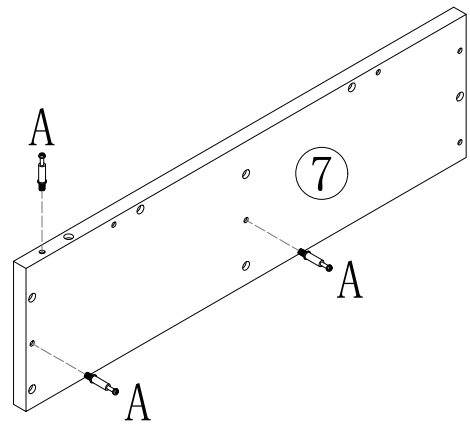
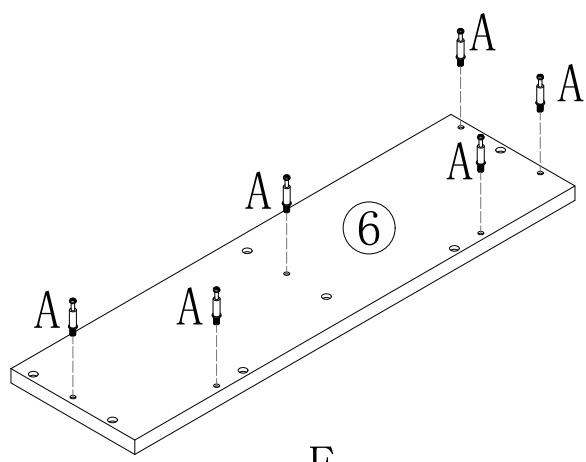
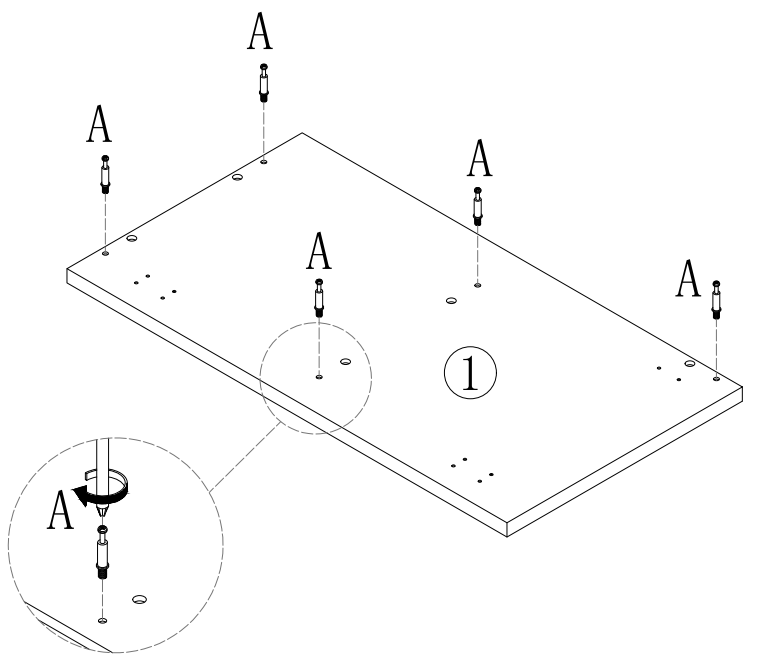
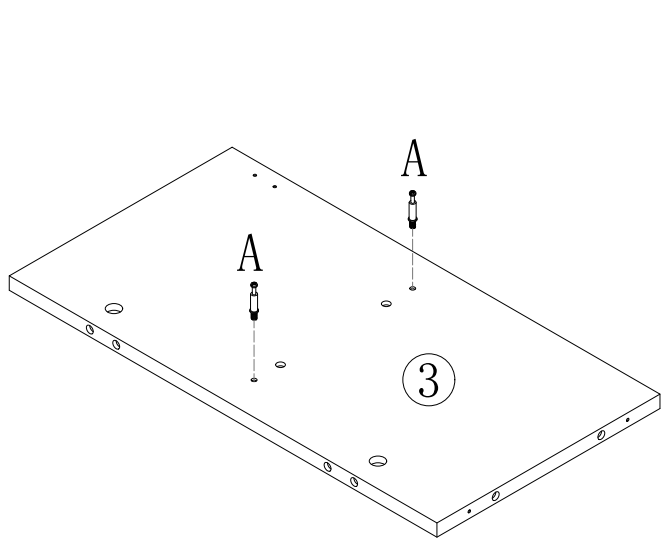
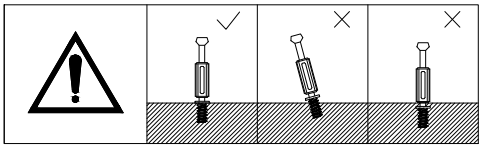
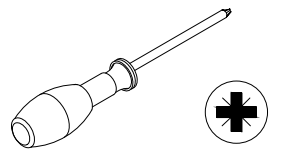
TOOLS





A * 16	B * 16	C * 24	D * 12	E * 12
				
M6 X 35mm	Ø15 x 12mm	Ø8 x 30mm	M4 x 14mm	M4 x 14mm
F * 6	G * 1	H * 1	I * 2	J * 2
				
M5 x 40mm	M4 x 20mm			Ø35
K * 2	L * 2	M * 2	N * 4	
				
Ø8 x 40mm	Ø20	M6 x 60mm		

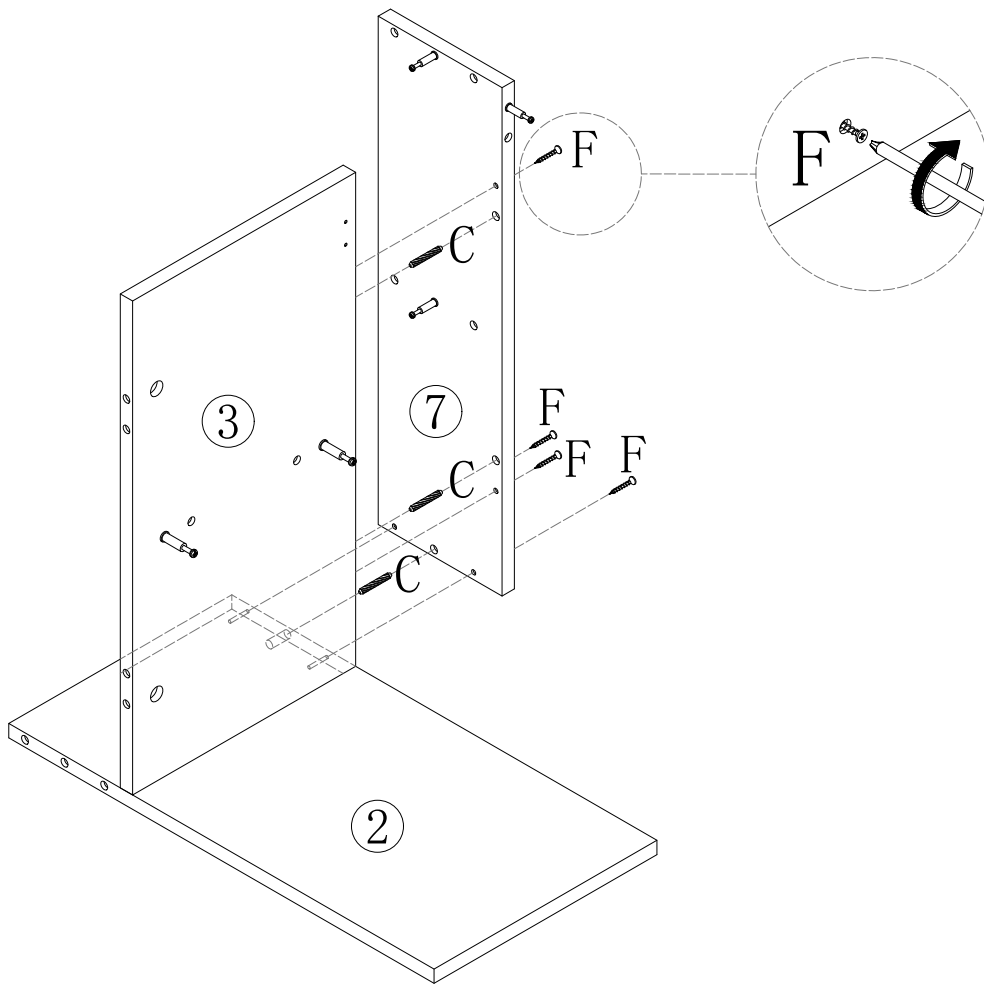
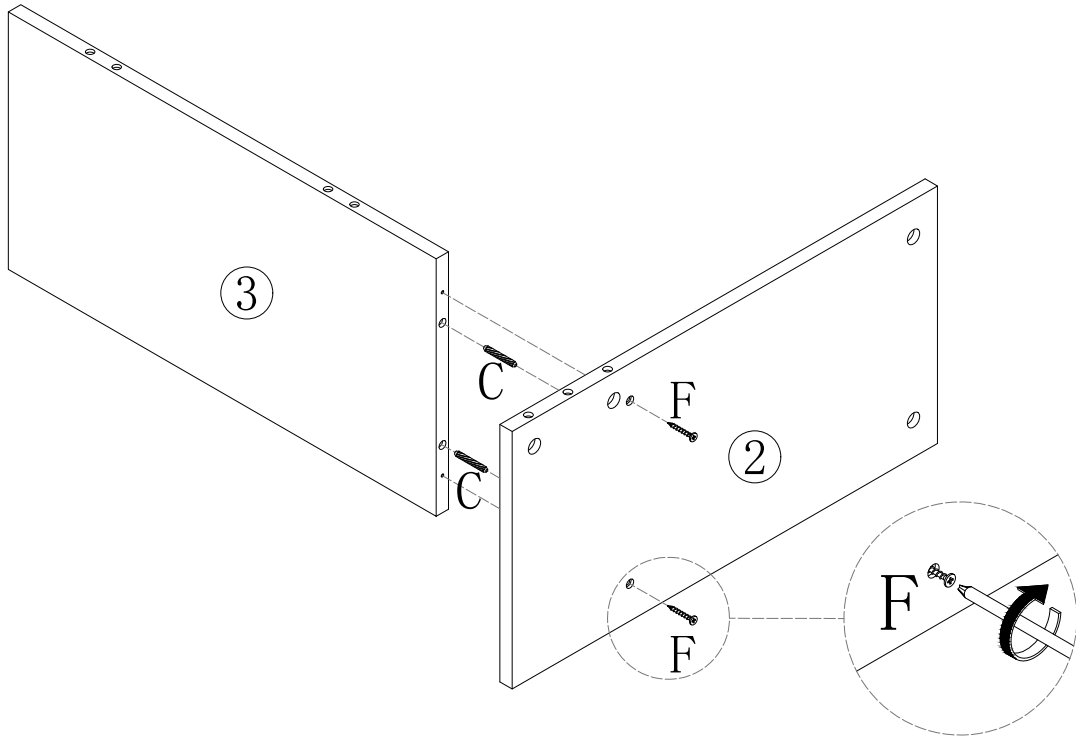
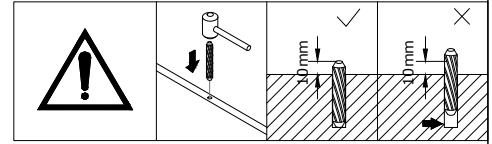
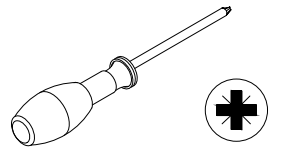
# Step 1

A * 16	E * 4	J * 2
 M6 X 35mm	 M4 x 14mm	 Ø35



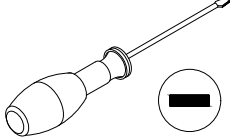


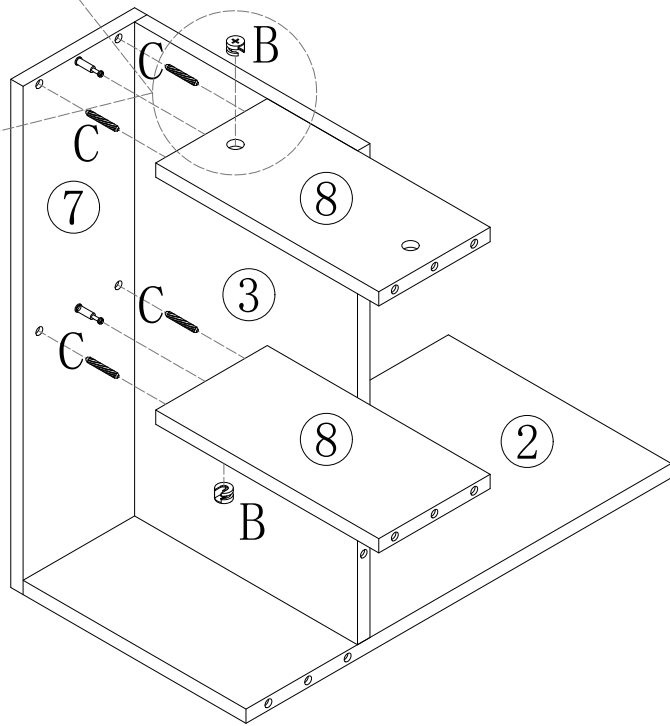
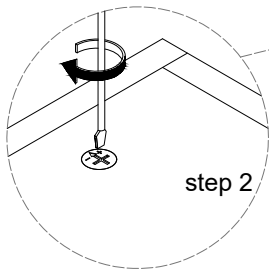
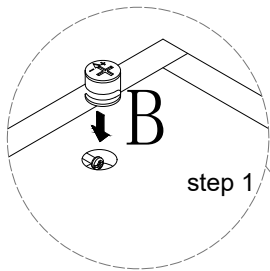
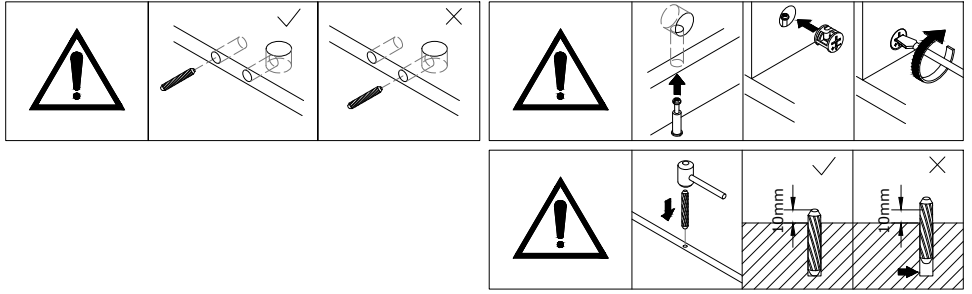
# Step 2

C * 5	F * 6
 Ø8 X 30mm	 M5 X 40mm





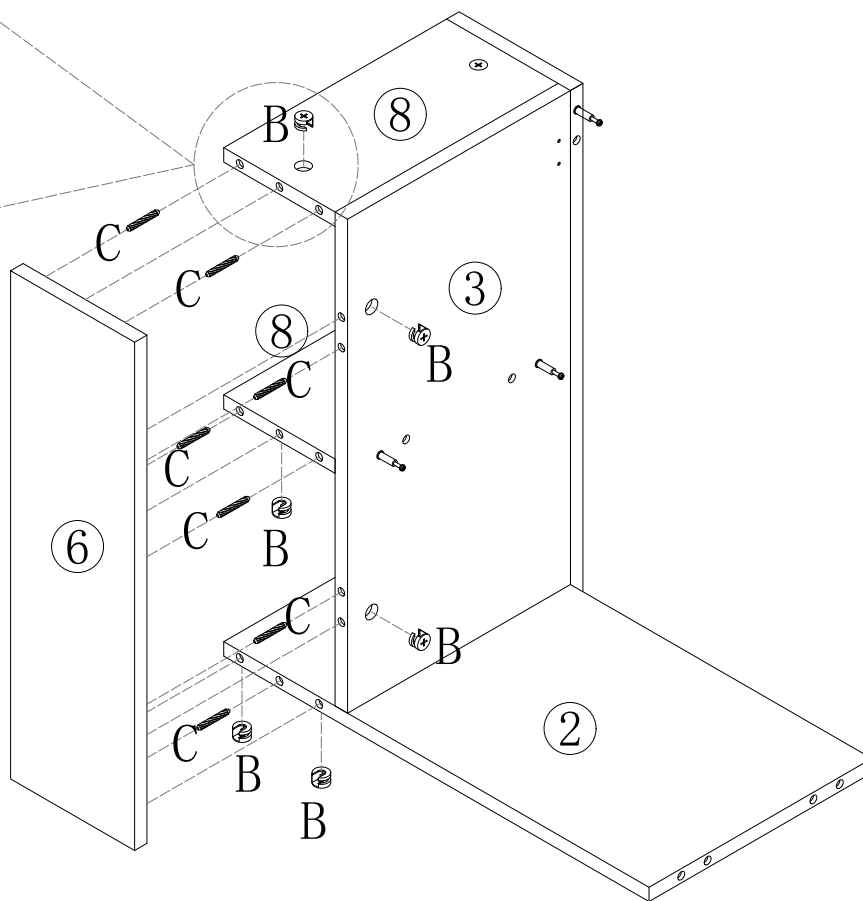
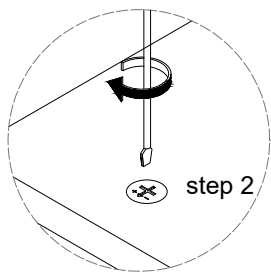
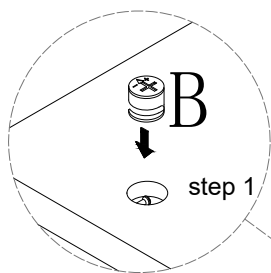
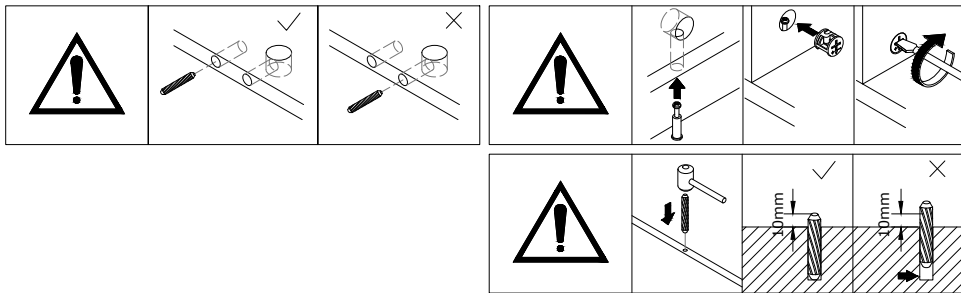
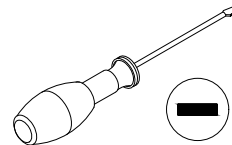
# Step 3

B * 2	C * 4	
 Ø15 x 12mm	 Ø8 x 30mm	





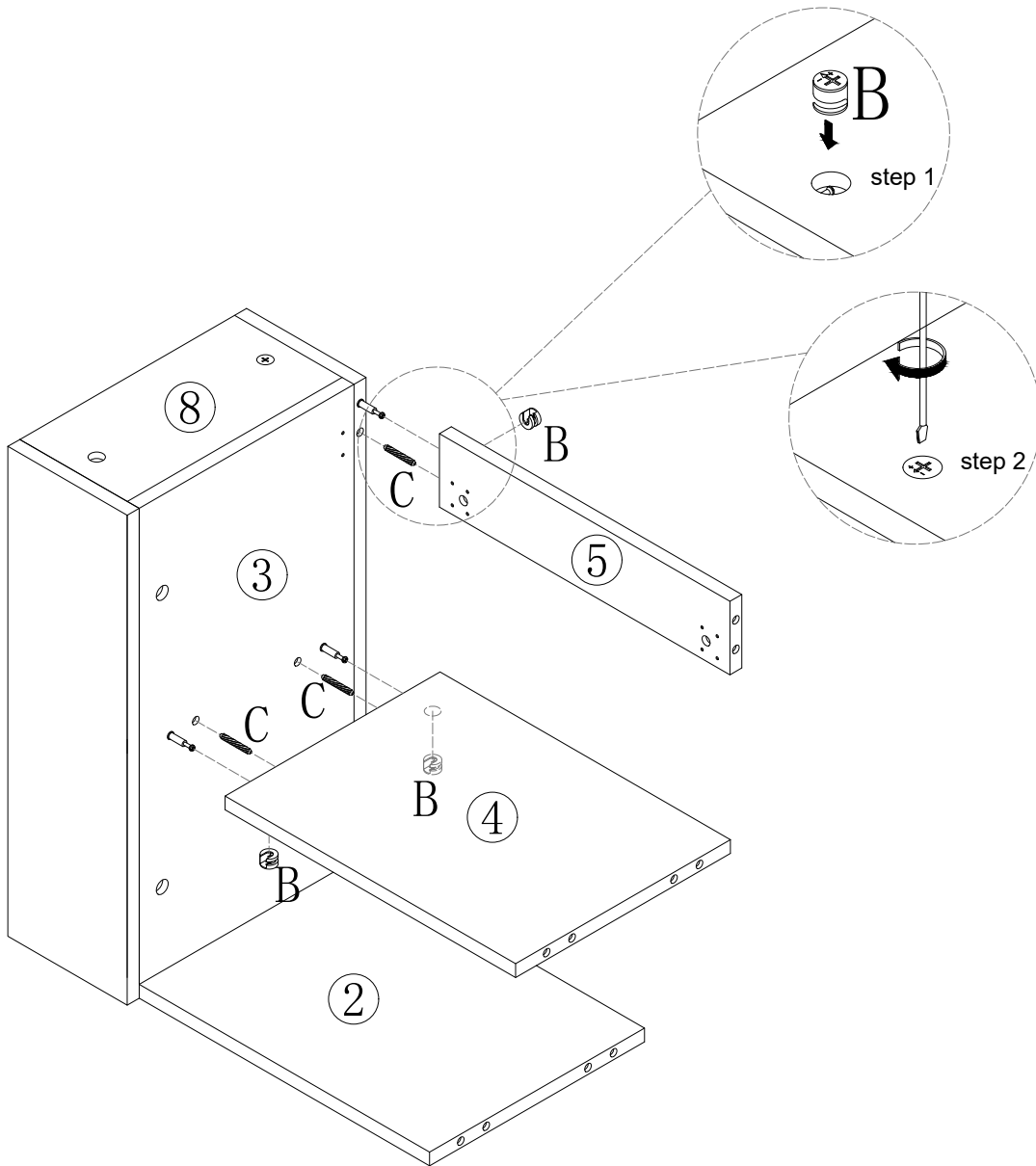
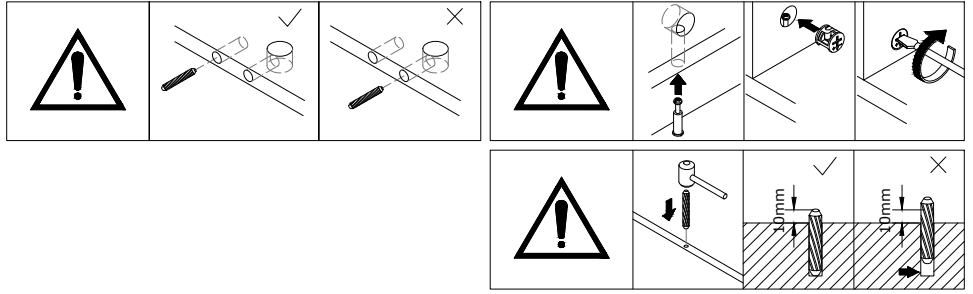
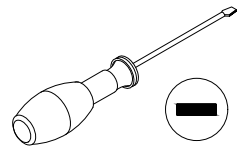
# Step 4

B * 6	C * 7
 Ø15 x 12mm	 Ø8 x 30mm





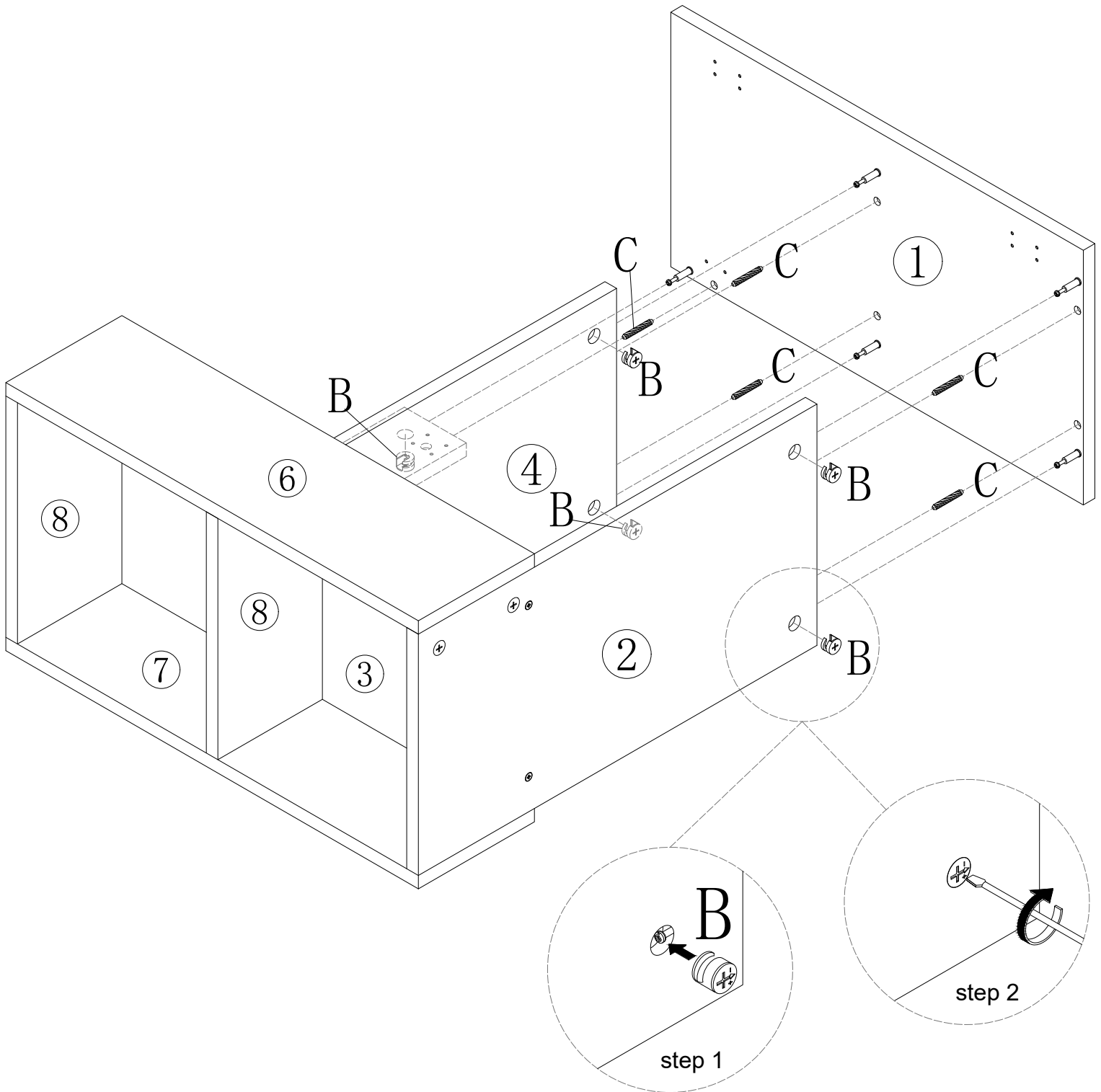
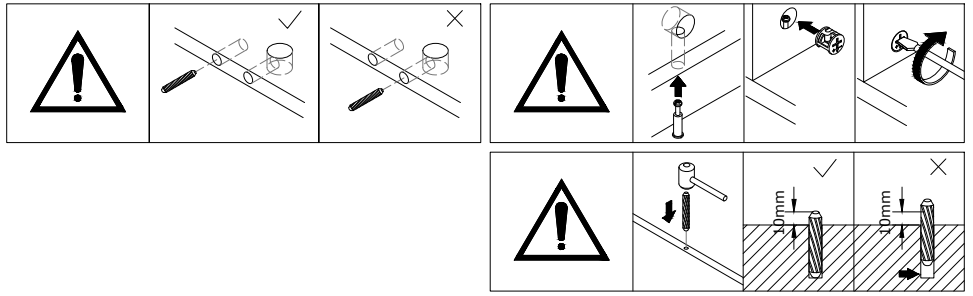
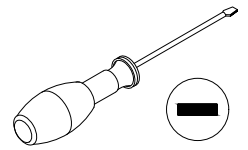
# Step 5

B * 3	C * 3
 Ø15 x 12mm	 Ø8 x 30mm




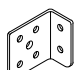
# Step 6

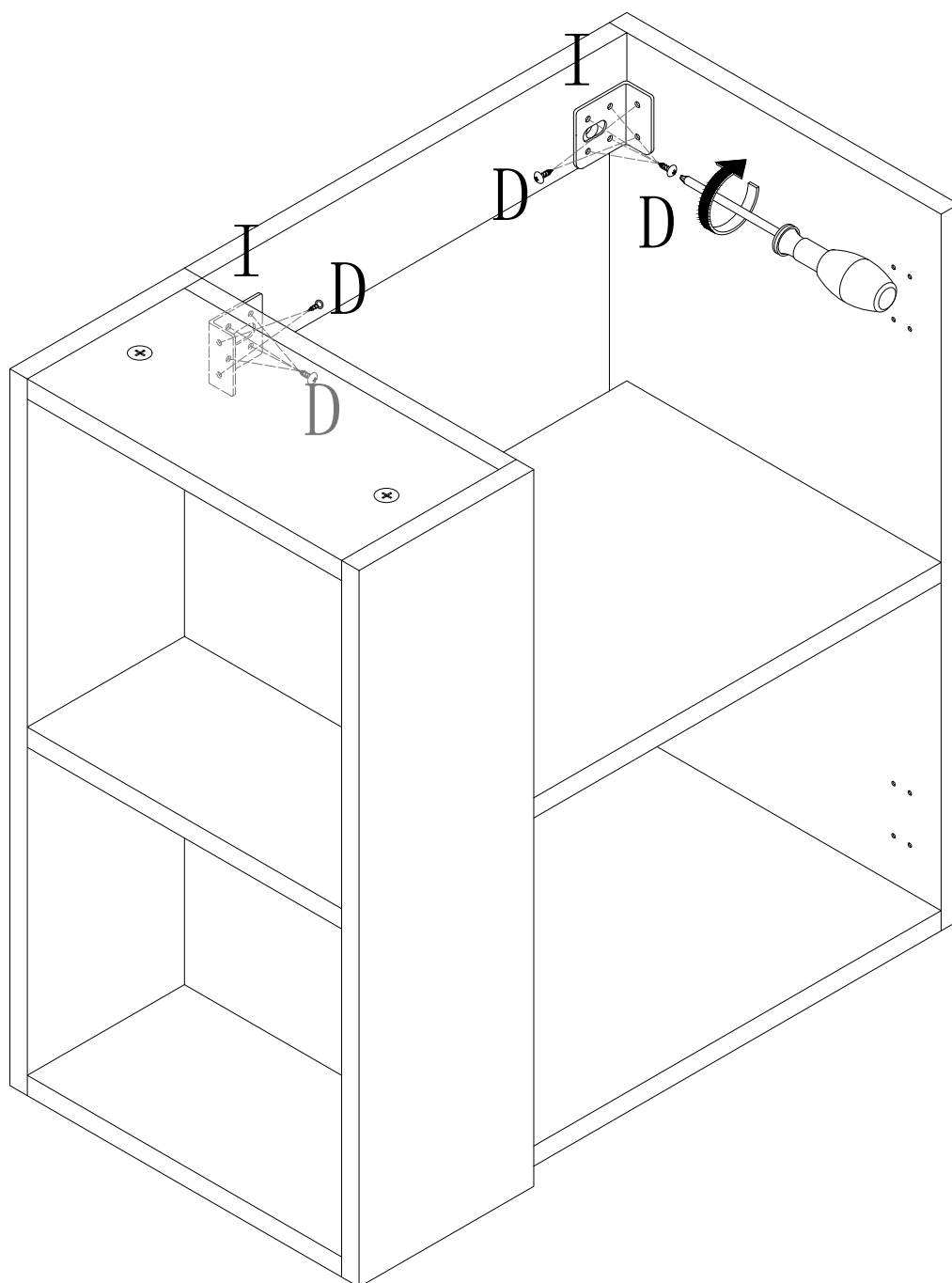
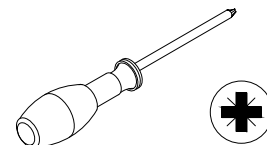
B * 5	C * 5
	
Ø15 x 12mm	Ø8 x 30mm



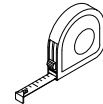
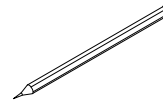
# Step 7

D \* 12  
  
M4 x 14mm

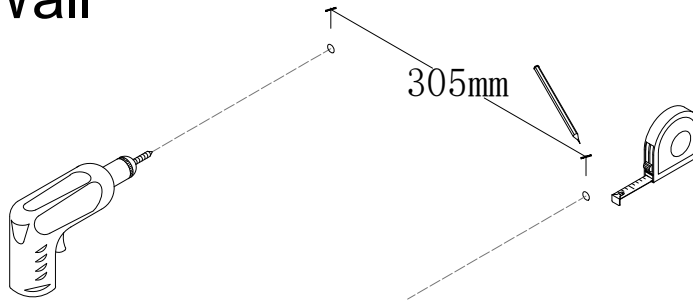
I \* 2  




# Step 8




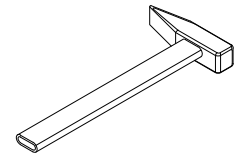
Wall



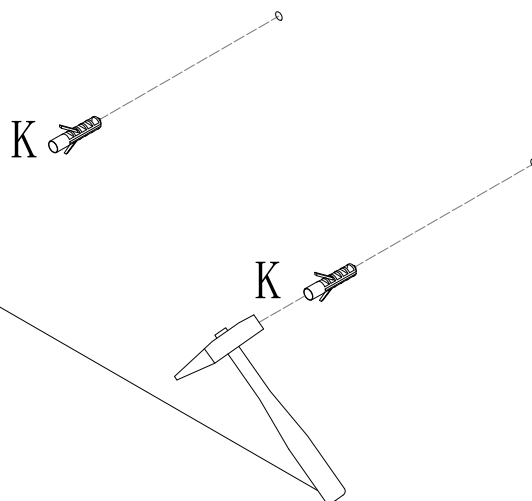
Please mark the location on the wall with a pencil, then punch the hole. You can determine the height of the vanity according to your needs.

# Setp 9



K * 2

Ø8 x 40mm

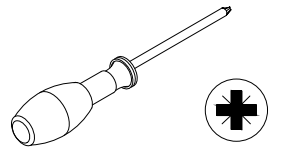


Wall

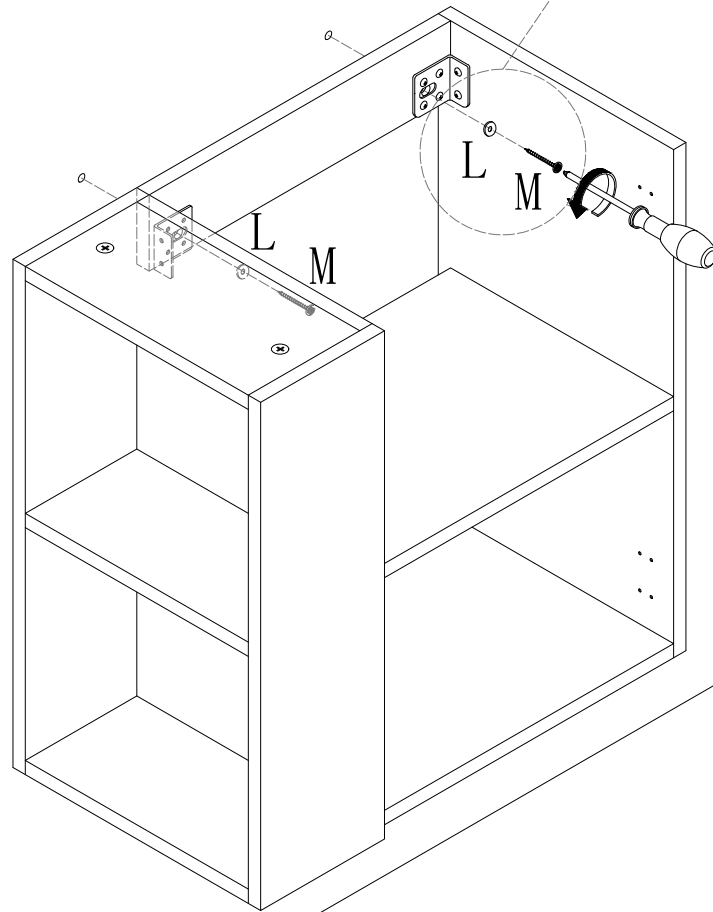
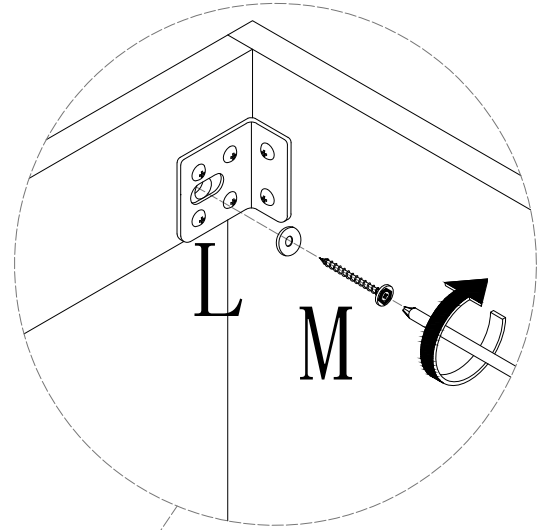


# Step 10




L * 2	M * 2
 Ø16	 M6 x 60mm

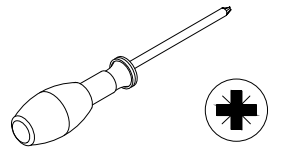


Wall

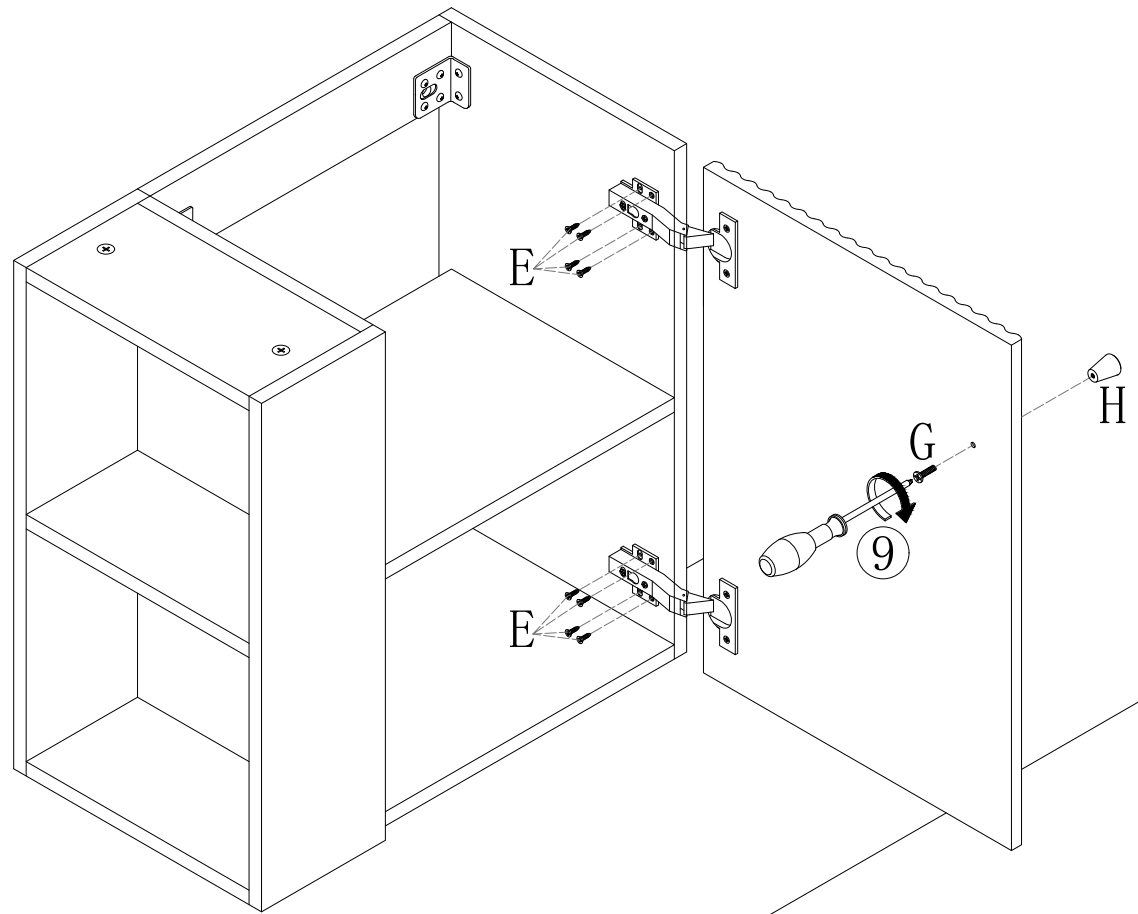


# Step 11

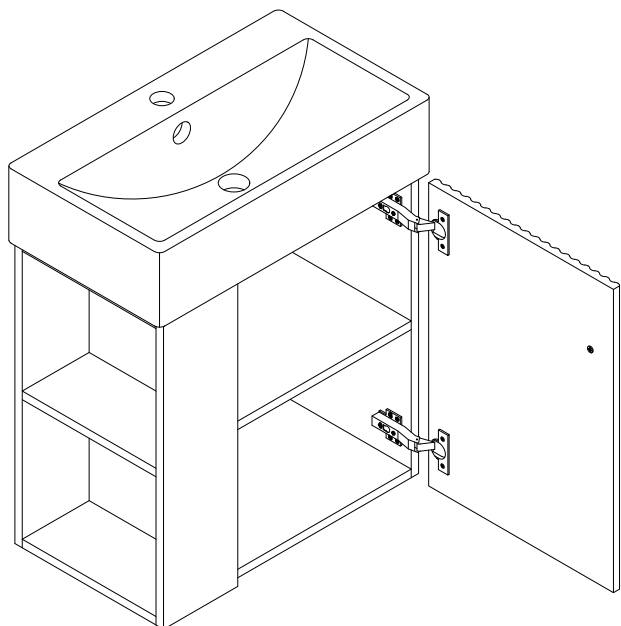
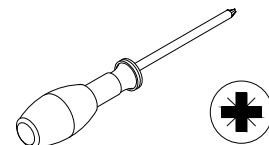
E * 8	G * 1	H * 1
 M4 x 14mm	 M4 x 20mm	



Wall

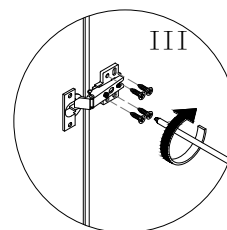
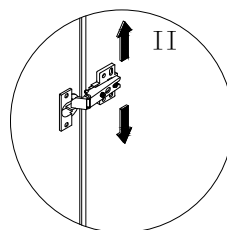
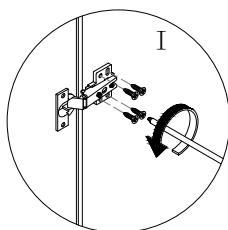


# Step 12



## Adjust door following the direction.

### Adjust the door up and down to match the cabinet.



I:loosen the screw.

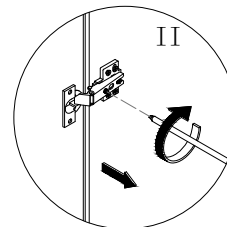
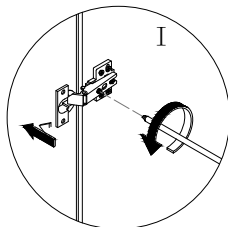
II:Adjust the upper and lower position.

II:tighten the screw.



When the door position is not standard, please adjust the door according to the right picture.

### Adjust the door left and right to match the cabinet for suitable crack of the door



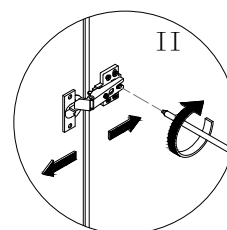
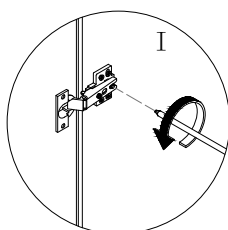
I:loosen the screw to keep hinge apply force toward the direction of arrow.

II:tighten the screw to keep hinge apply force toward the direction of arrow.



Please place the cabinet on the flat floor before adjustment.

### Adjust the door backwards and forwards to match the cabinet.

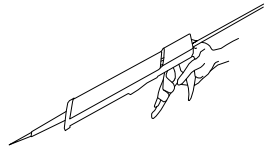


I:loosen the screw.

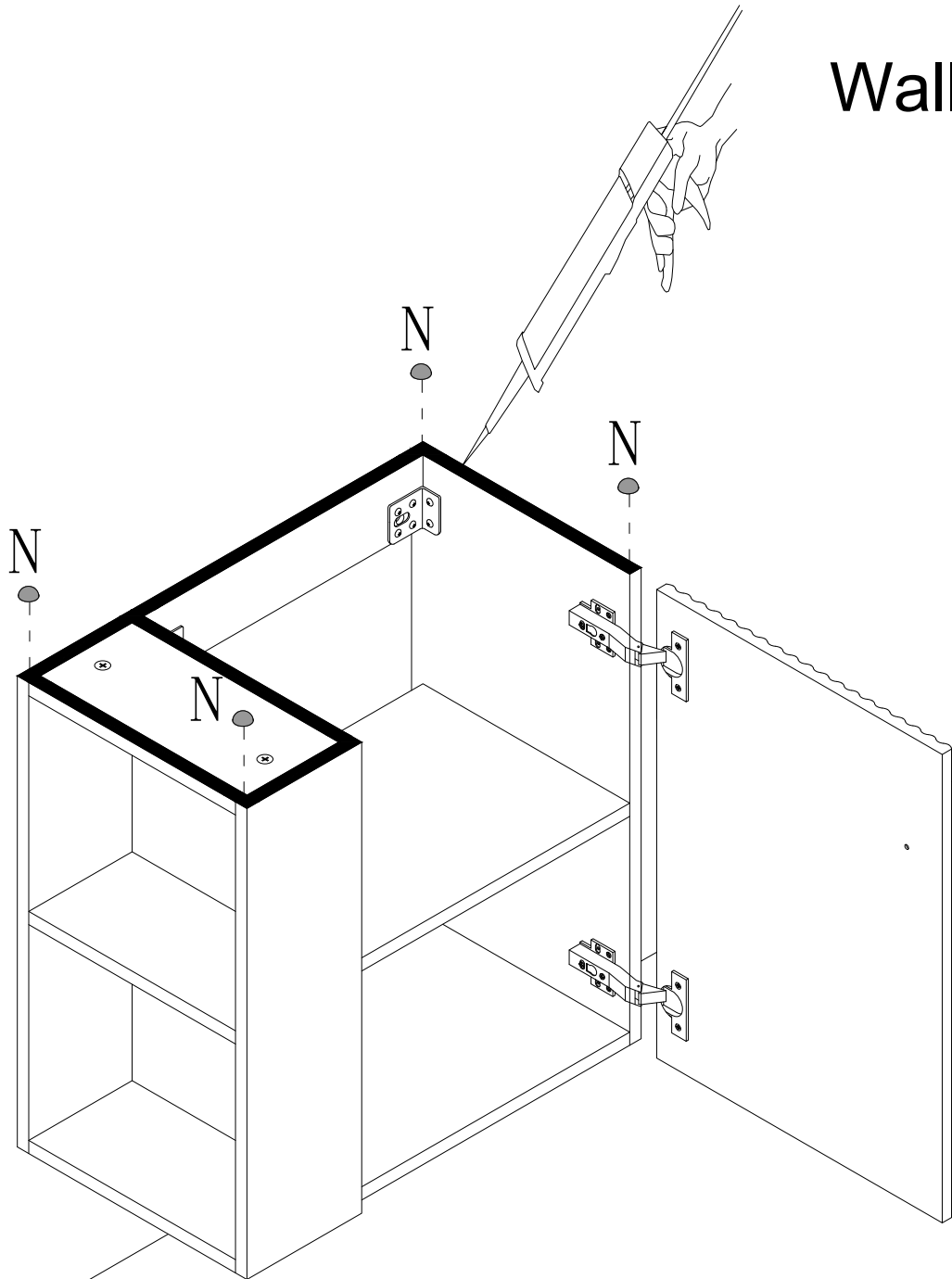
II:Adjust the distance between front and back.

# Step 13

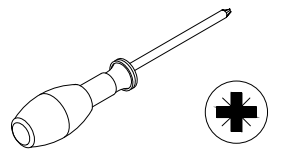
N \* 4



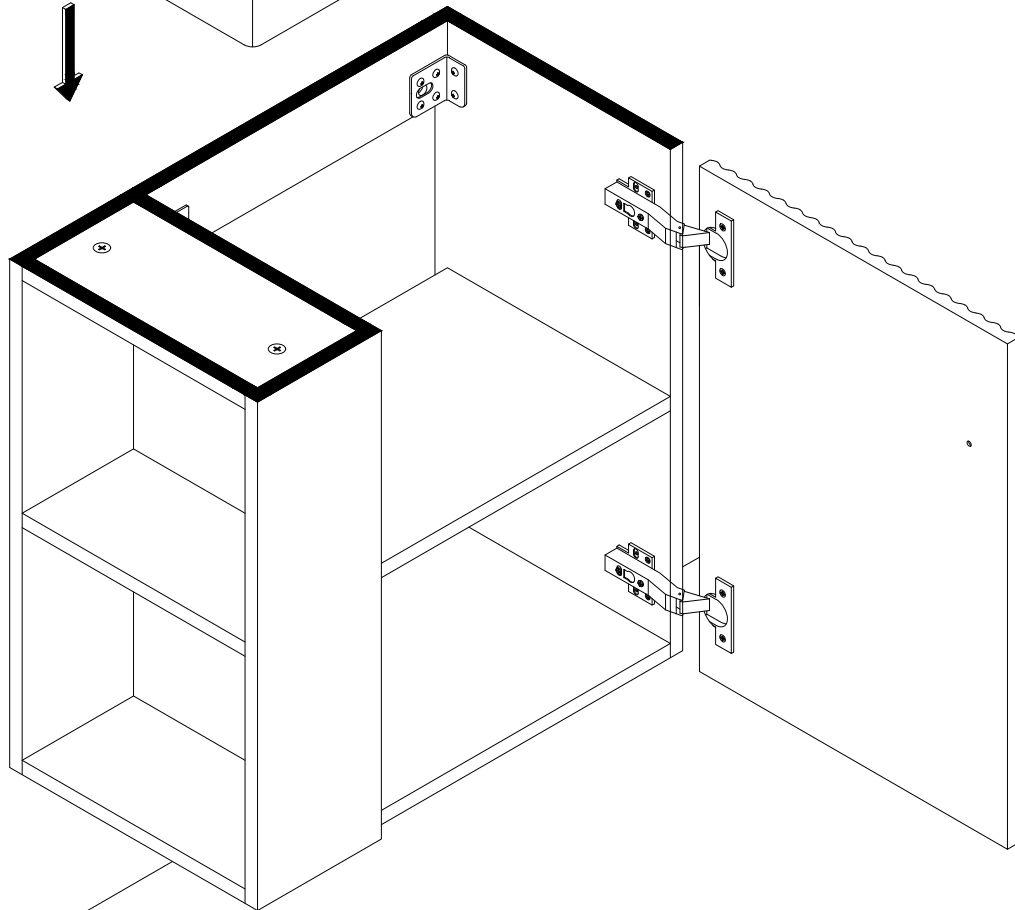
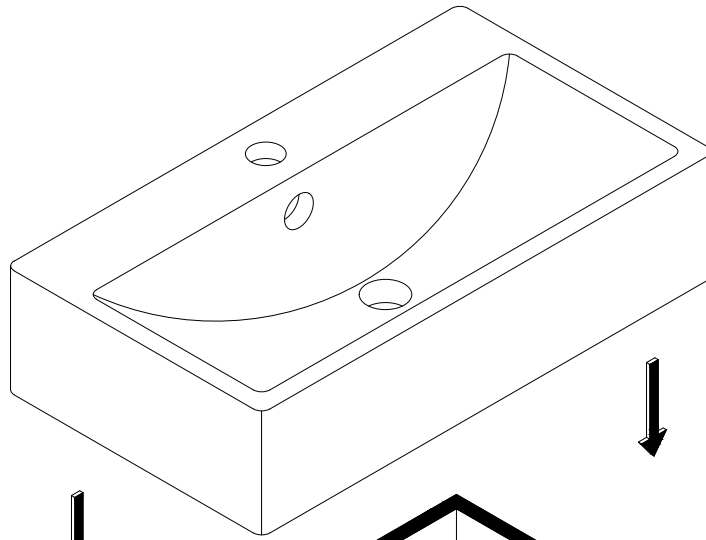
Wall



# Step 14



Wall



# Step 15

