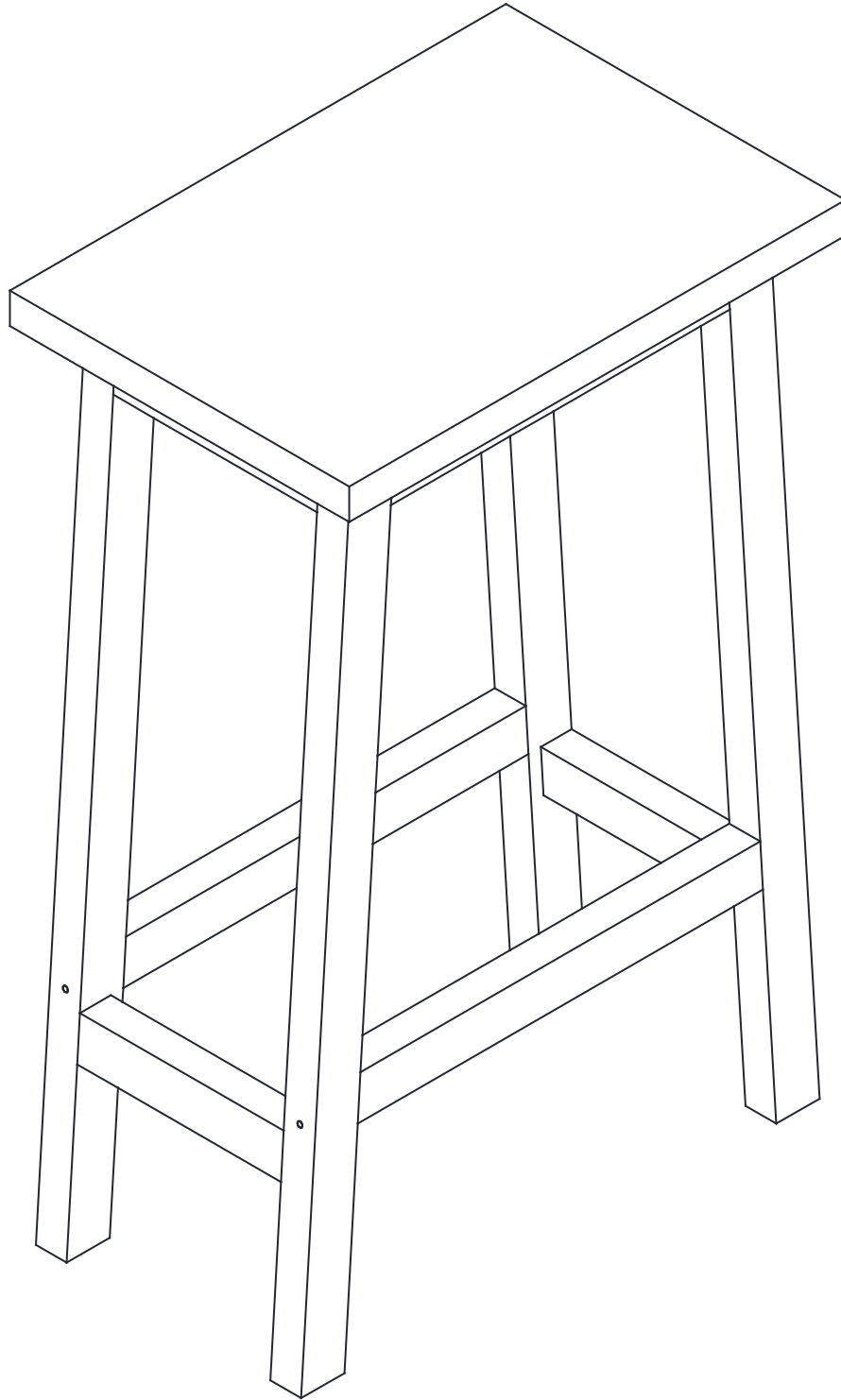


Bar Stool set of 2

Assembly Instructions - Please keep for future reference



Important – Please read these instructions fully before starting assembly



Safety and Care Advice

Important – Please read these instructions fully before starting assembly

- Check you have all the components and tools listed on the following pages.
- Remove all fittings from the plastic bags and separate them into their groups.
- Keep children and animals away from the work area, small parts could choke if swallowed.
- Make sure you have enough space to layout the parts before starting.

- During assembly do not stand or put weight on the product, this could cause damage.
- Assemble the item as close to its final position (in the same room) as possible.
- Assemble on a soft level surface to avoid damaging the unit or your floor.
- Parts of the assembly will be easier with 2 people.



- To reduce the likelihood of damaging your product please ensure that your power drill is set on a low torque setting.

Care and maintenance

- Only clean using a damp cloth and mild detergent, do not use bleach or abrasive cleaners.
- From time to time check that there are no loose screws on this unit.
- This product should not be discarded with household waste. Take to your local authority waste disposal centre.

Handy Hints

- Assemble all parts and bolts loosely during assembly, only once the product is complete should you fully tighten the bolts
- Regularly check and ensure That all bolts and fittings are tightend properly.

WARNING
In order to help prevent overturning –
please follow these instructions



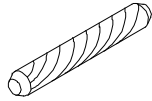
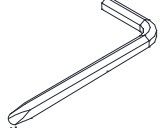
To help prevent product toppling over please follow the below steps:-

- Use the anti tip stap or wall fixing method provided (if applicable)
- Do not allow children to climb or hang on the furniture
- Do not open more than one drawer at a time
- Do not place heavy items in the top drawers
- Do not place heavy items on top of the furniture, unless the furniture has been designed for this purpose

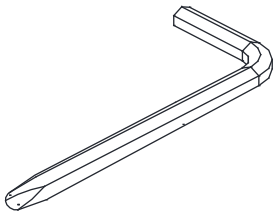
Components - Fittings

Please check you have all the panels listed below

Note: The quantities below are the correct amount to complete the assembly. In some cases, more fittings may be supplied than required.

<p>(A)</p>  <p>4*35mm Screw x 4</p>	<p>(B)</p>  <p>7*40mm Screw x 9</p>	<p>(C)</p>  <p>Dowel x 9</p>	<p>(D)</p>  <p>Allen key x 1</p>
--	--	--	---

Tools required



Phillips screwdriver
(medium & large)

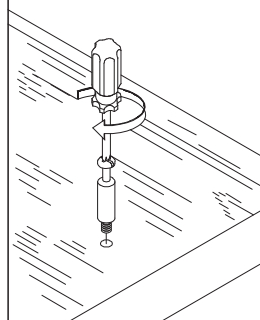
Using Camlocks

Step 1

Connect the male camlock as directed in the assembly instructions using a screwdriver.

1

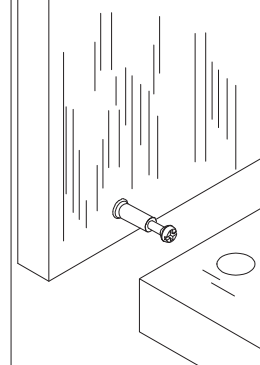
DO NOT OVER TIGHTEN.
NE PAS SERRER EXCESSIVEMENT.



Step 2

Push the male camlock into the entry hole.

2

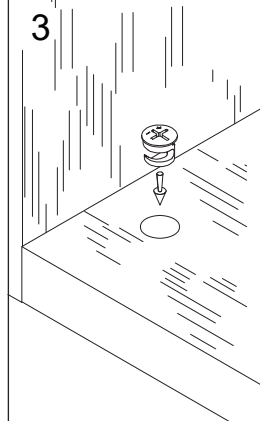


Step 3

Insert the female camlock as shown in the instruction.

Note: ensure that the arrow on the top of the camlock points towards the entry hole for the male camlock.

3



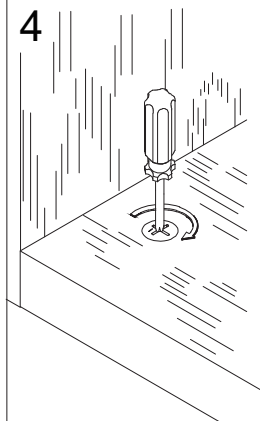
Step 4

Turn the female camlock clockwise with a screwdriver.

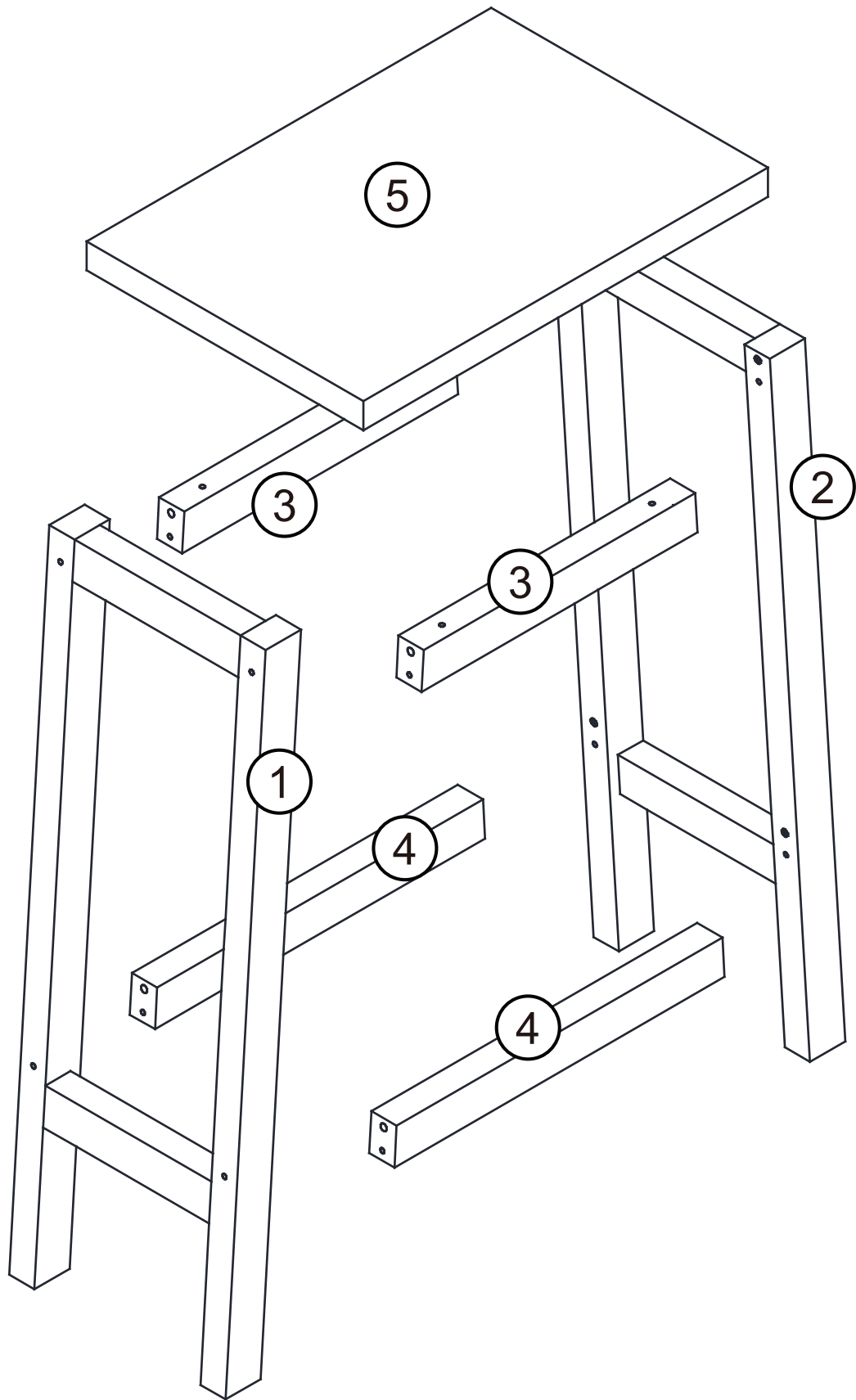
You should feel a click when the camlock is locked in place.

The joint is now secure.

4

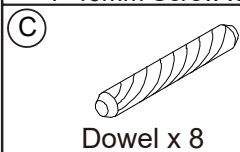
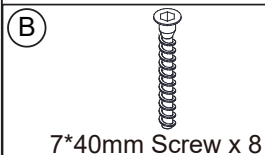
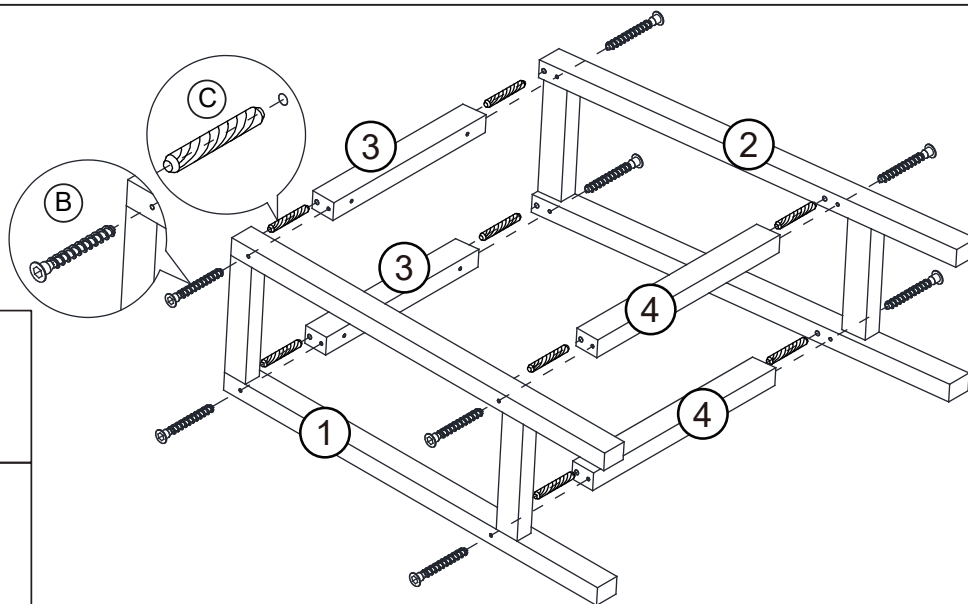


Assembly Instructions

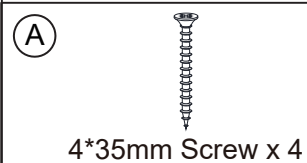
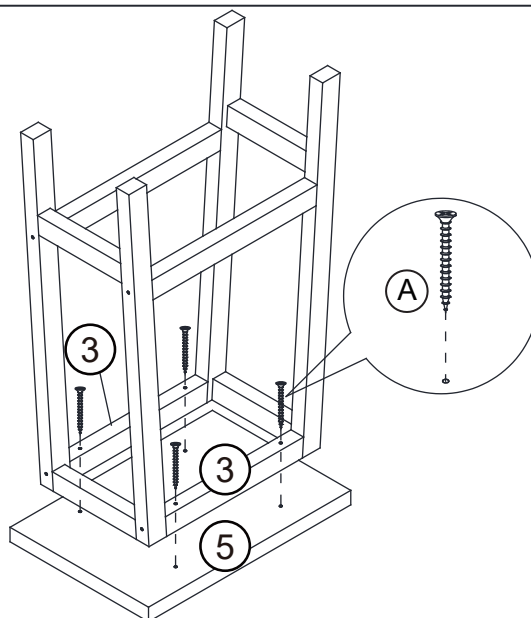


Assembly Instructions

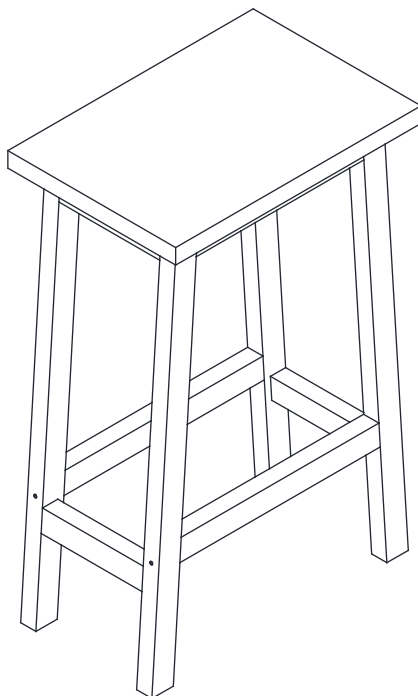
Step 1



Step 2



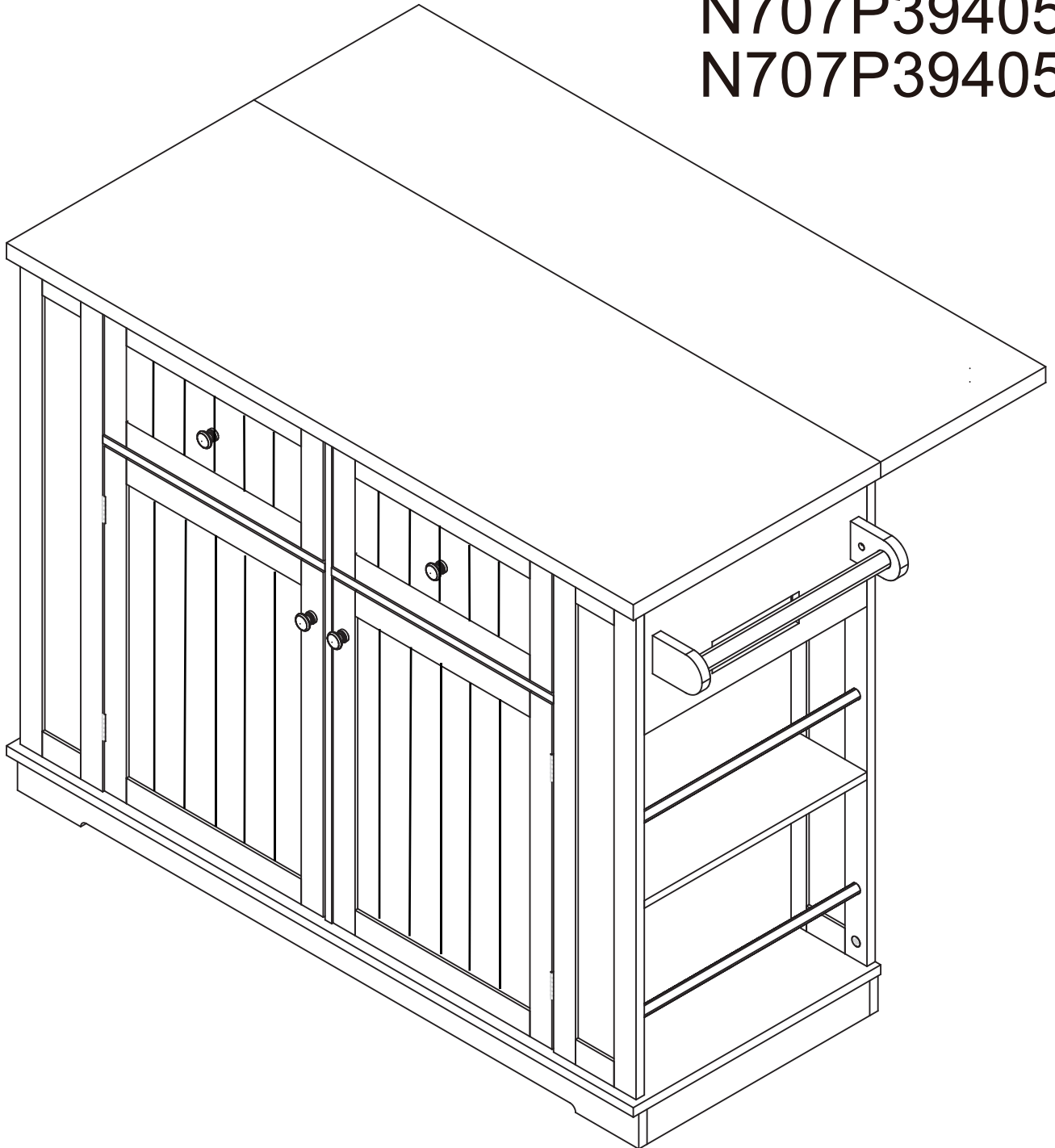
Step 3



Kitchen Island Cart

Assembly Instructions - Please keep for future reference

N707P394051
N707P394052



Important – Please read these instructions fully before starting assembly



Safety and Care Advice

Important – Please read these instructions fully before starting assembly

- Check you have all the components and tools listed on the following pages.
- Remove all fittings from the plastic bags and separate them into their groups.
- Keep children and animals away from the work area, small parts could choke if swallowed.
- Make sure you have enough space to layout the parts before starting.

- During assembly do not stand or put weight on the product, this could cause damage.
- Assemble the item as close to its final position (in the same room) as possible.
- Assemble on a soft level surface to avoid damaging the unit or your floor.
- Parts of the assembly will be easier with 2 people.



power drill is set on a low torque setting.

- To reduce the likelihood of damaging your product please ensure that your

Care and maintenance

- Only clean using a damp cloth and mild detergent, do not use bleach or abrasive cleaners.
- From time to time check that there are no loose screws on this unit.
- This product should not be discarded with household waste. Take to your local authority waste disposal centre.

Handy Hints

- Assemble all parts and bolts loosely during assembly, only once the product is complete should you fully tighten the bolts
- Regularly check and ensure That all bolts and fittings are tightend properly.

WARNING
In order to help prevent overturning – please follow these instructions

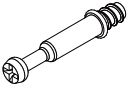
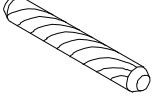

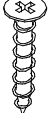
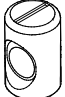
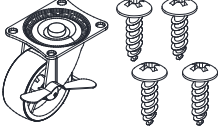
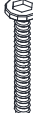
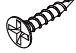
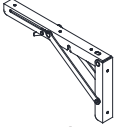
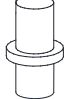
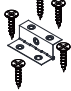

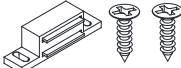

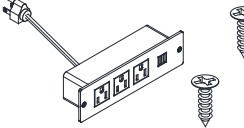
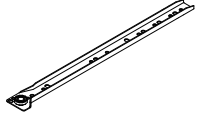
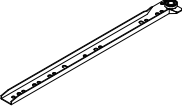
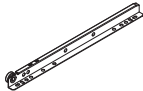
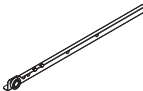
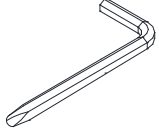
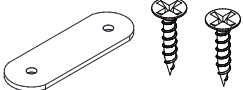

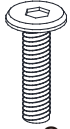



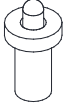
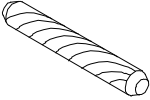
To help prevent product toppling over please follow the below steps:-

- Use the anti tip stap or wall fixing method provided (if applicable)
- Do not allow children to climb or hang on the furniture
- Do not open more than one drawer at a time
- Do not place heavy items in the top drawers
- Do not place heavy items on top of the furniture, unless the furniture has been designed for this purpose

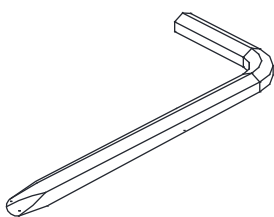
Components - Fittings

Please check you have all the panels listed below

Note: The quantities below are the correct amount to complete the assembly. In some cases, more fittings may be supplied than required.

<p>(A)</p>  <p>Cam Bolt x 86</p>	<p>(B)</p>  <p>6*30mm Dowel x 60</p>	<p>(C)</p>  <p>Cam lock x 86</p>	<p>(D)</p>  <p>4*25mm Screw x 28</p>
<p>(E)</p>  <p>nut x 2</p>	<p>(F)</p>  <p>4*12mm Locking caster x2</p>	<p>(G)</p>  <p>6*30mm Screw x 2</p>	<p>(H)</p>  <p>3.5*12mm Screw x 18</p>
<p>(I)</p>  <p>Connecting rods x2</p>	<p>(J)</p>  <p>Shelf support pin x 8</p>	<p>(K)</p>  <p>3*12mm Triple fold hinge x 4set</p>	<p>(L)</p>  <p>4*20mm Handle x 2SET</p>
<p>(M)</p>  <p>3*16mm Door stopper x 2SET</p>	<p>(N)</p>  <p>4*12mm Handle x 2SET</p>	<p>(O)</p>  <p>3.5*12mm socket x 1</p>	<p>(CL)</p>  <p>300mm runner x 2</p>
<p>(CR)</p>  <p>300mm runner x 2</p>	<p>(DR)</p>  <p>300mm runner x 2</p>	<p>(DL)</p>  <p>300mm runner x 2</p>	<p>(P)</p>  <p>Allen key x 1</p>
<p>(Q)</p>  <p>3*12mm Magnetic sheet x 2SET</p>	<p>(R)</p>  <p>4*12mm Caster x3</p>	<p>(S)</p>  <p>6*25mm Screw x4</p>	<p>(T)</p>  <p>m6 nut x 4</p>
<p>(U)</p>  <p>6mm gasket x8</p>	<p>(V)</p>  <p>3.5*14mm Screw x4</p>	<p>(W)</p>  <p>Iron pipe spring x 4</p>	<p>(X)</p>  <p>8*30mm Dowel x 16</p>

Tools required



Phillips screwdriver
(medium & large)

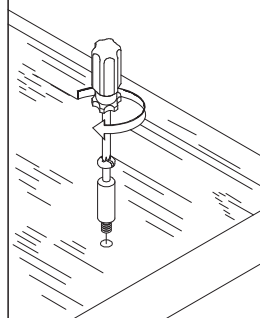
Using Camlocks

Step 1

Connect the male camlock as directed in the assembly instructions using a screwdriver.

1

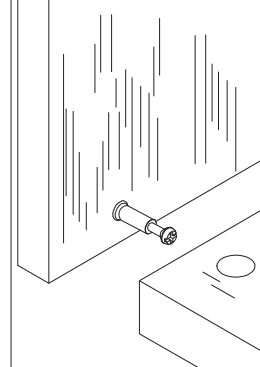
DO NOT OVER TIGHTEN.
NE PAS SERRER EXCESSIVEMENT.



Step 2

Push the male camlock into the entry hole.

2

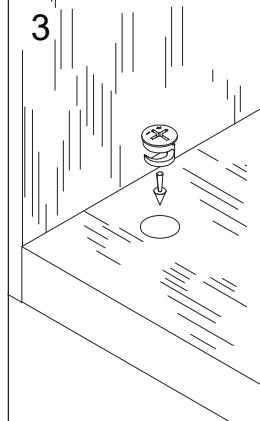


Step 3

Insert the female camlock as shown in the instruction.

Note: ensure that the arrow on the top of the camlock points towards the entry hole for the male camlock.

3



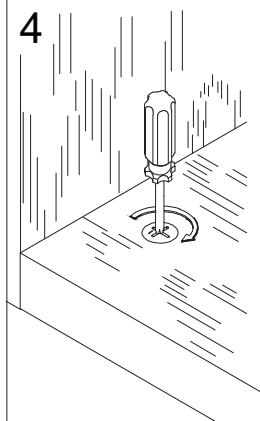
Step 4

Turn the female camlock clockwise with a screwdriver.

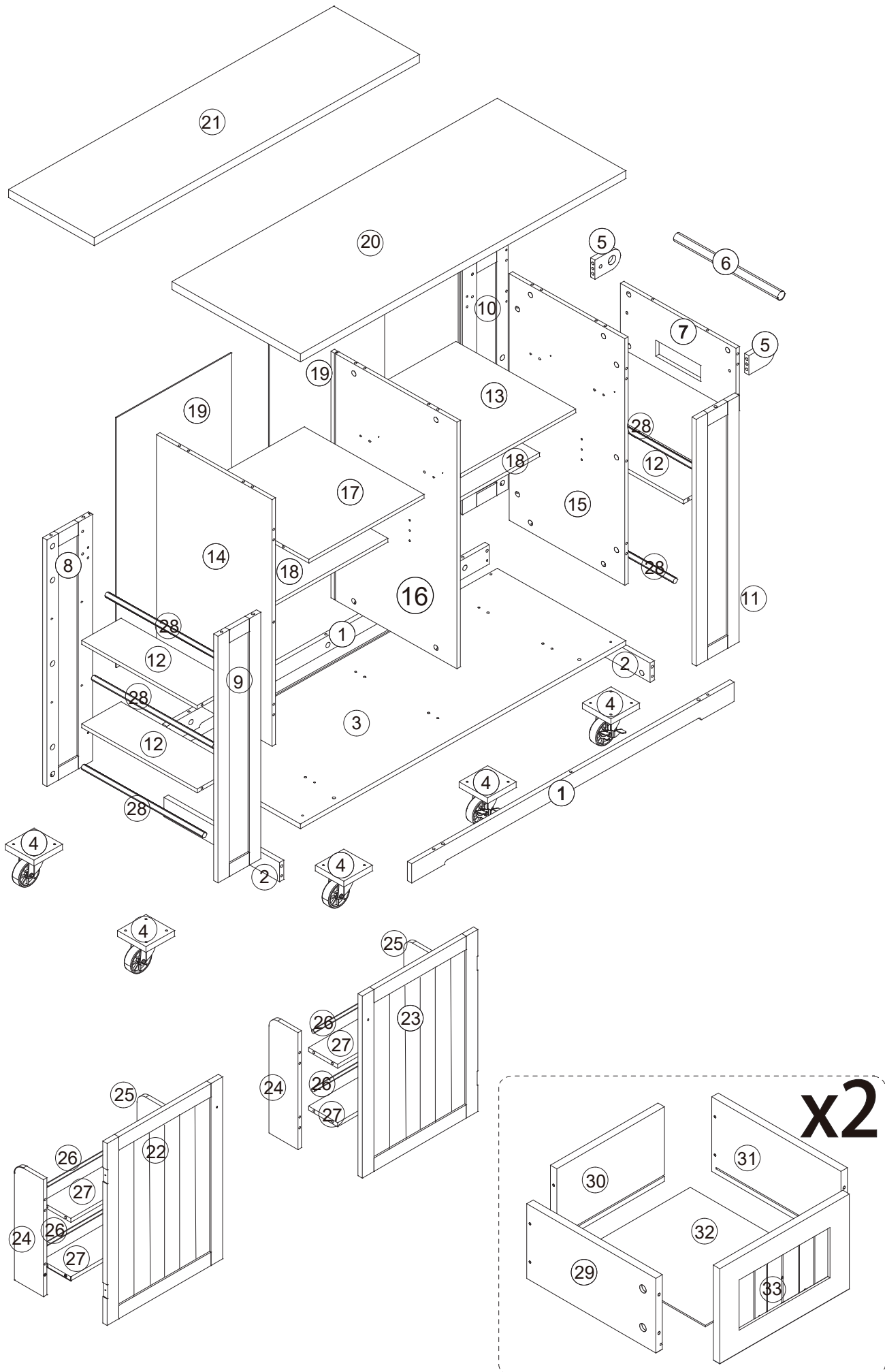
You should feel a click when the camlock is locked in place.

The joint is now secure.

4

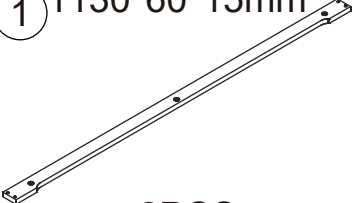
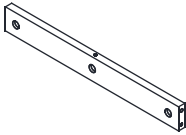
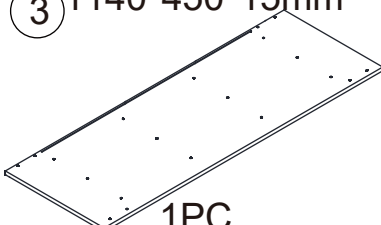
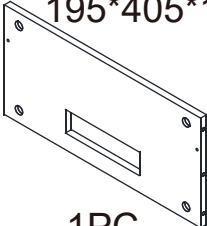
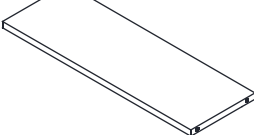
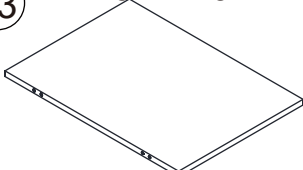

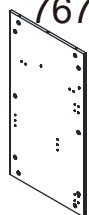

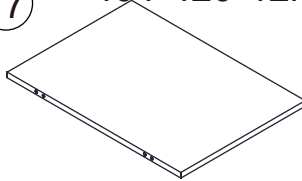
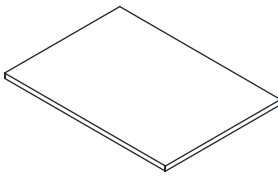

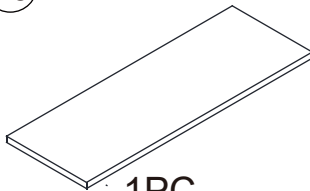
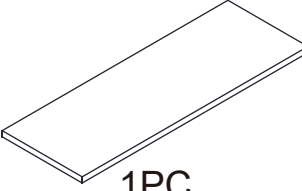
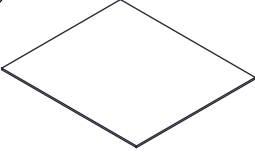


Assembly Instructions



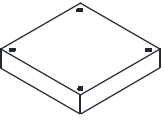
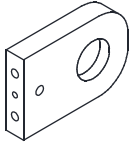
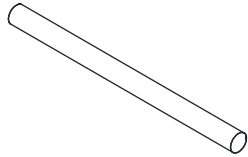
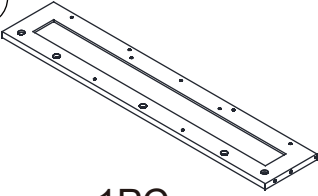
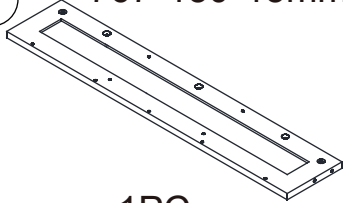
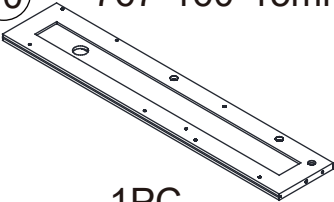
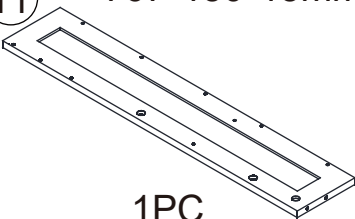
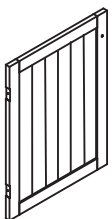

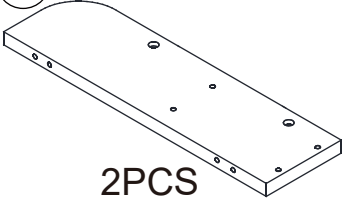
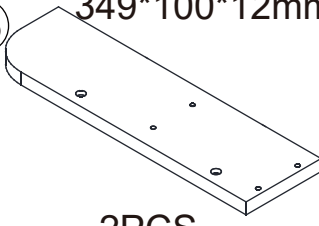
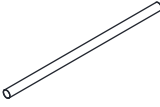
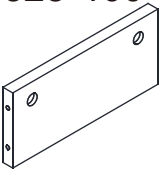
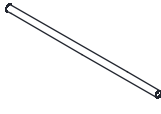
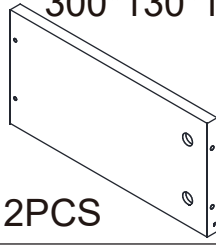
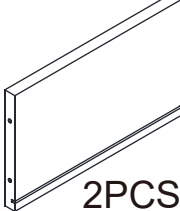
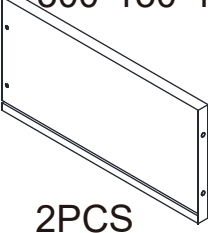
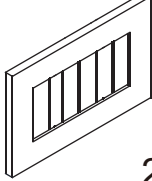
Assembly Instructions

N707P394051

<p>① 1130*60*15mm</p>  <p>2PCS</p>	<p>② 405*60*15mm</p>  <p>2PCS</p>	<p>③ 1140*450*15mm</p>  <p>1PC</p>
<p>⑦ 195*405*12mm</p>  <p>1PC</p>	<p>⑫ 405*138*15mm</p>  <p>3PCS</p>	<p>⑬ 404*420*12mm</p>  <p>1PC</p>
<p>⑭ 767*405*12mm</p>  <p>1PC</p>	<p>⑮ 767*405*12mm</p>  <p>1PC</p>	<p>⑯ 767*435*12mm</p>  <p>1PC</p>
<p>⑰ 404*420*12mm</p>  <p>1PC</p>	<p>⑱ 402*294*12mm</p>  <p>2PCS</p>	<p>⑲ 777*404*3mm</p>  <p>2PCS</p>
<p>⑳ 1140*450*25mm</p>  <p>1PC</p>	<p>㉑ 1140*300*25mm</p>  <p>1PC</p>	<p>㉓ 298*366*3mm</p>  <p>2PCS</p>

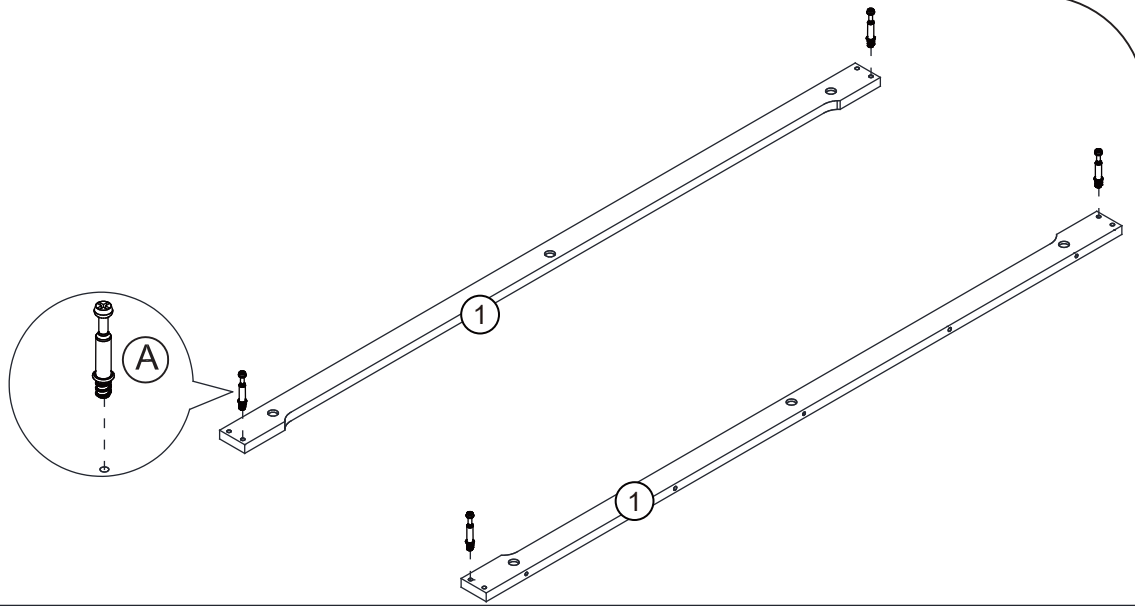
Assembly Instructions

N707P394052

<p>④ 100*100*18mm</p>  <p>5PCS</p>	<p>⑤ 90*60*15mm</p>  <p>2PCS</p>	<p>⑥ 24*365mm</p>  <p>1PC</p>
<p>⑧ 767*160*15mm</p>  <p>1PC</p>	<p>⑨ 767*150*15mm</p>  <p>1PC</p>	<p>⑩ 767*160*15mm</p>  <p>1PC</p>
<p>⑪ 767*150*15mm</p>  <p>1PC</p>	<p>⑫ 543*398*15mm</p>  <p>1PC</p>	<p>⑬ 543*398*15mm</p>  <p>1PC</p>
<p>⑭ 349*100*12mm</p>  <p>2PCS</p>	<p>⑮ 349*100*12mm</p>  <p>2PCS</p>	<p>⑯ 10*333mm</p>  <p>4PCS</p>
<p>⑰ 328*100*12mm</p>  <p>4PCS</p>	<p>⑱ 15*415mm</p>  <p>5PCS</p>	<p>⑲ 300*130*12mm</p>  <p>2PCS</p>
<p>⑳ 354*130*12mm</p>  <p>2PCS</p>	<p>㉑ 300*130*12mm</p>  <p>2PCS</p>	<p>㉓ 398*200*15mm</p>  <p>2PCS</p>

Assembly Instructions

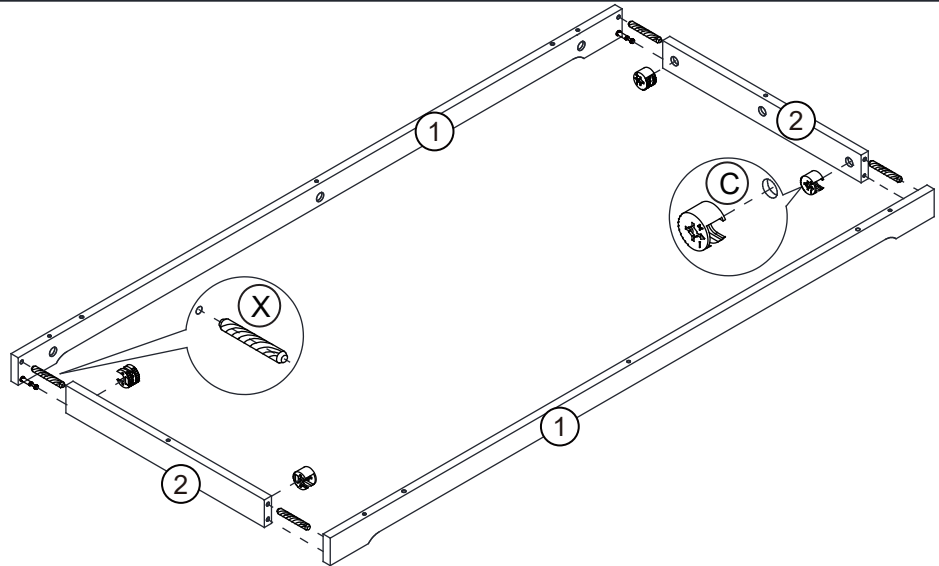
Step 1



(A)

Cam Bolt x4

Step 2



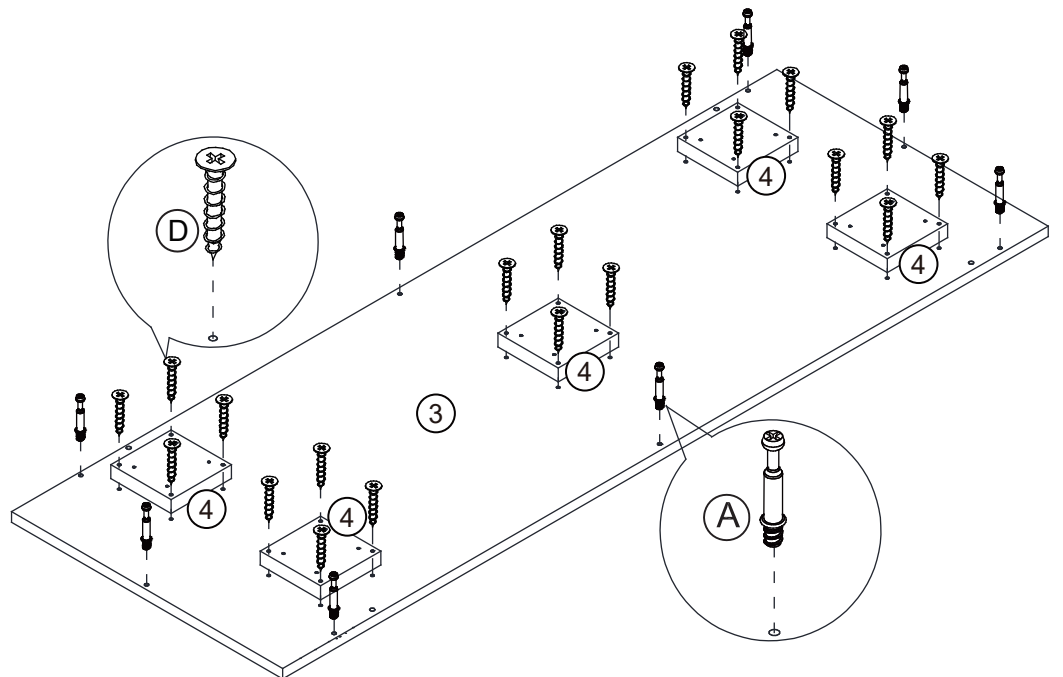
(C)

Cam lock x 4

(X)

8*30mm Dowel x 4

Step 3



(D)

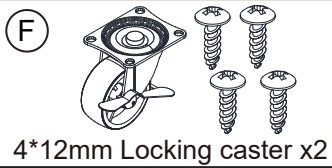
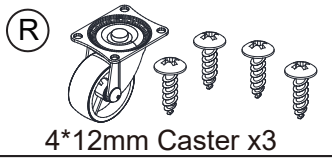
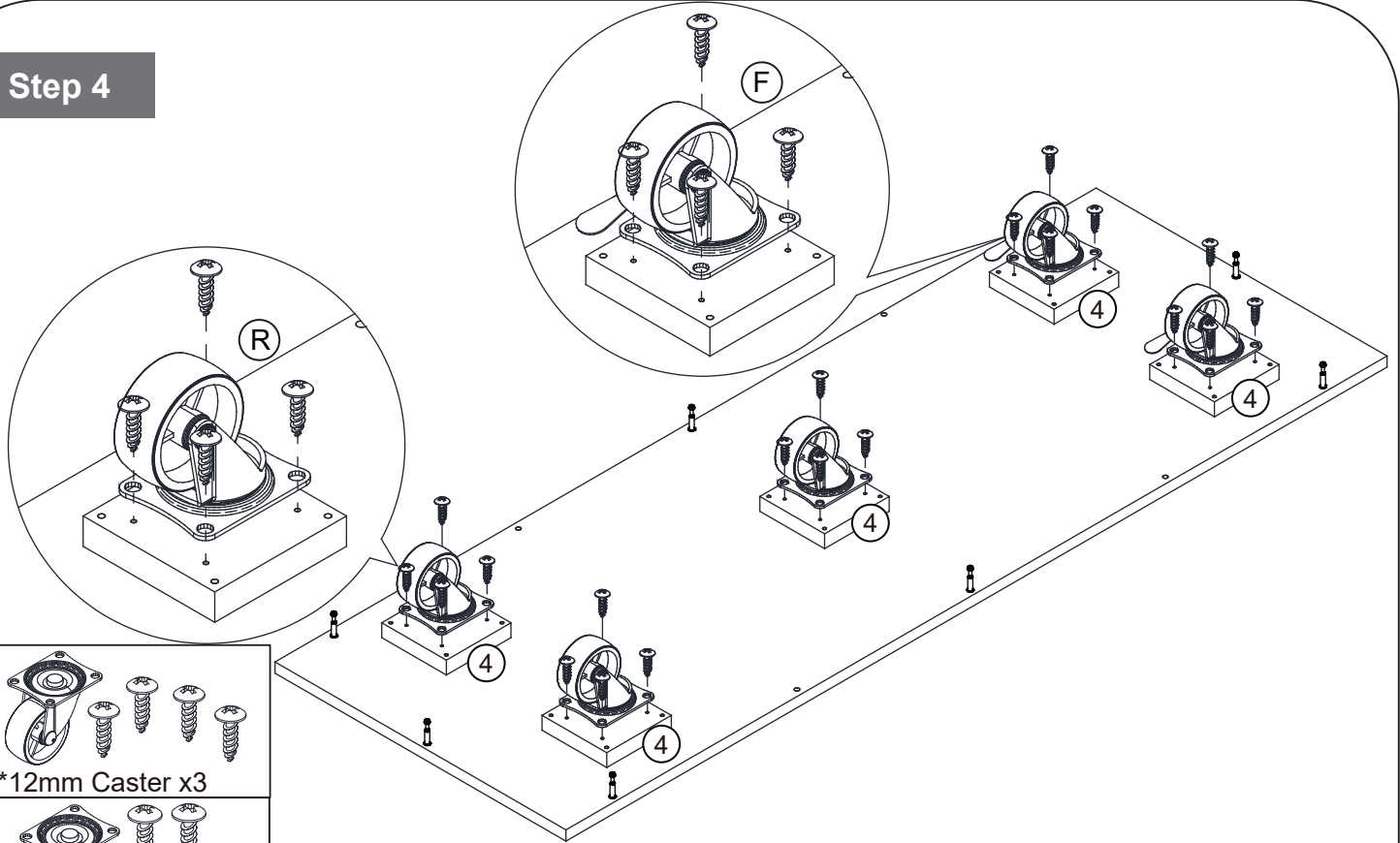
4*25mm Screw x 20

(A)

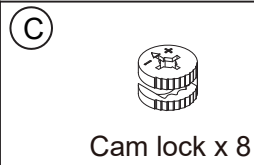
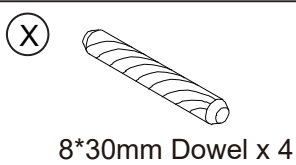
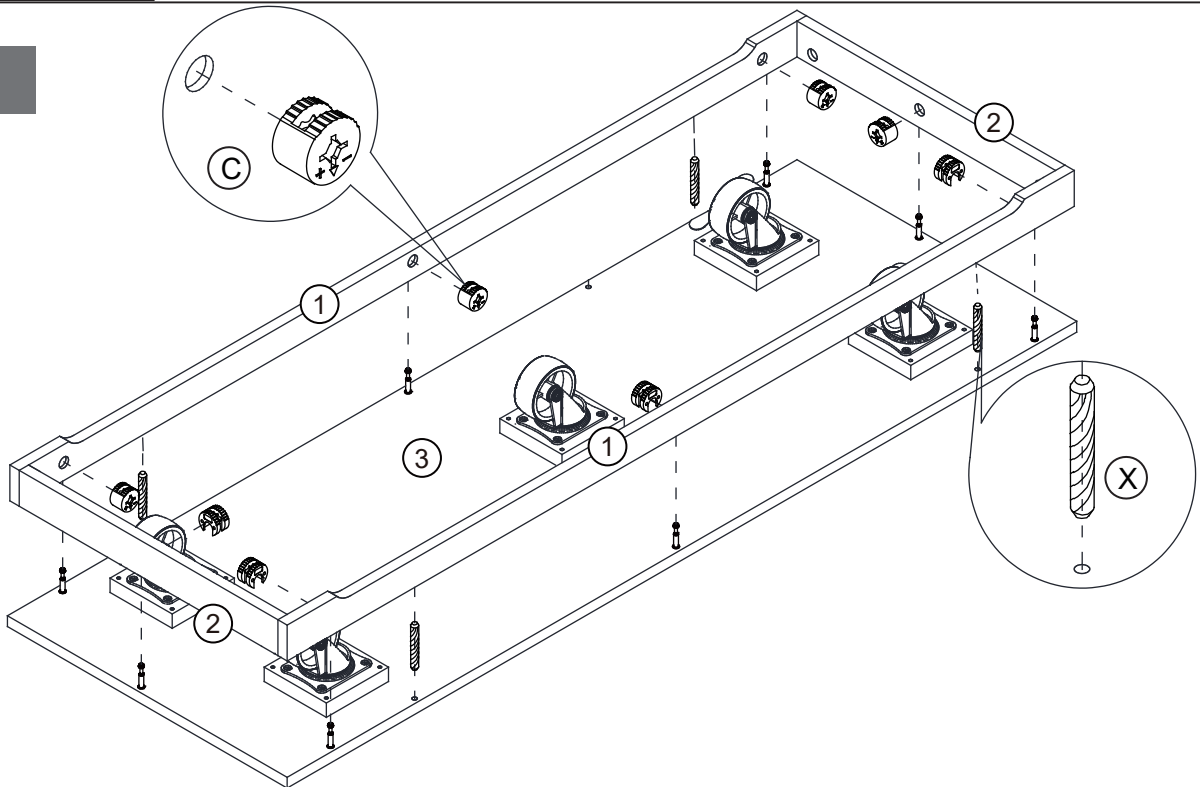
Cam Bolt x8

Assembly Instructions

Step 4

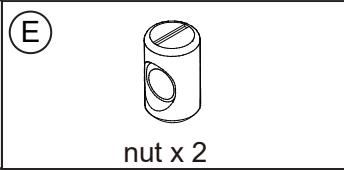
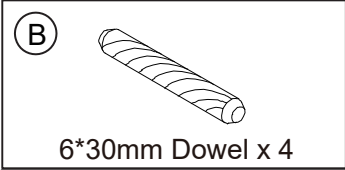
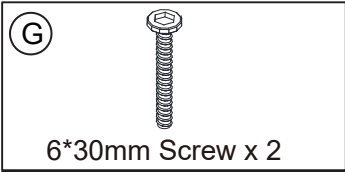
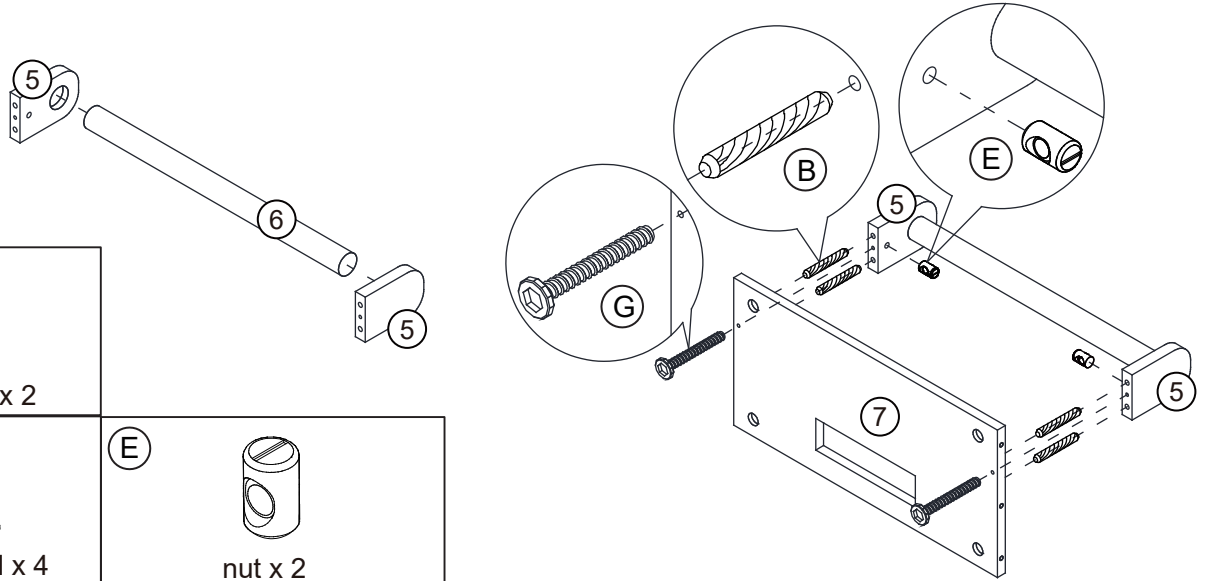


Step 5

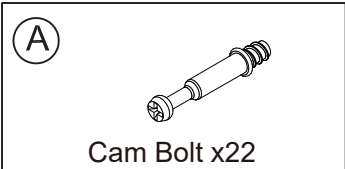
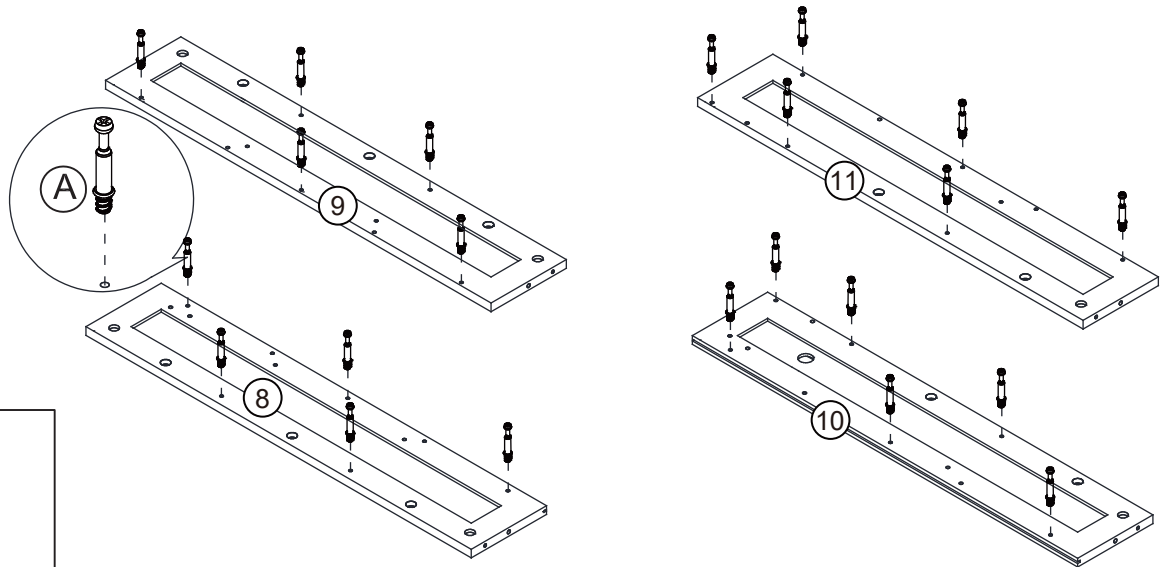


Assembly Instructions

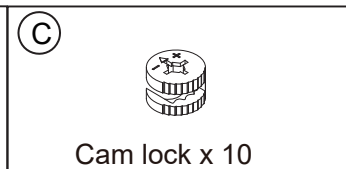
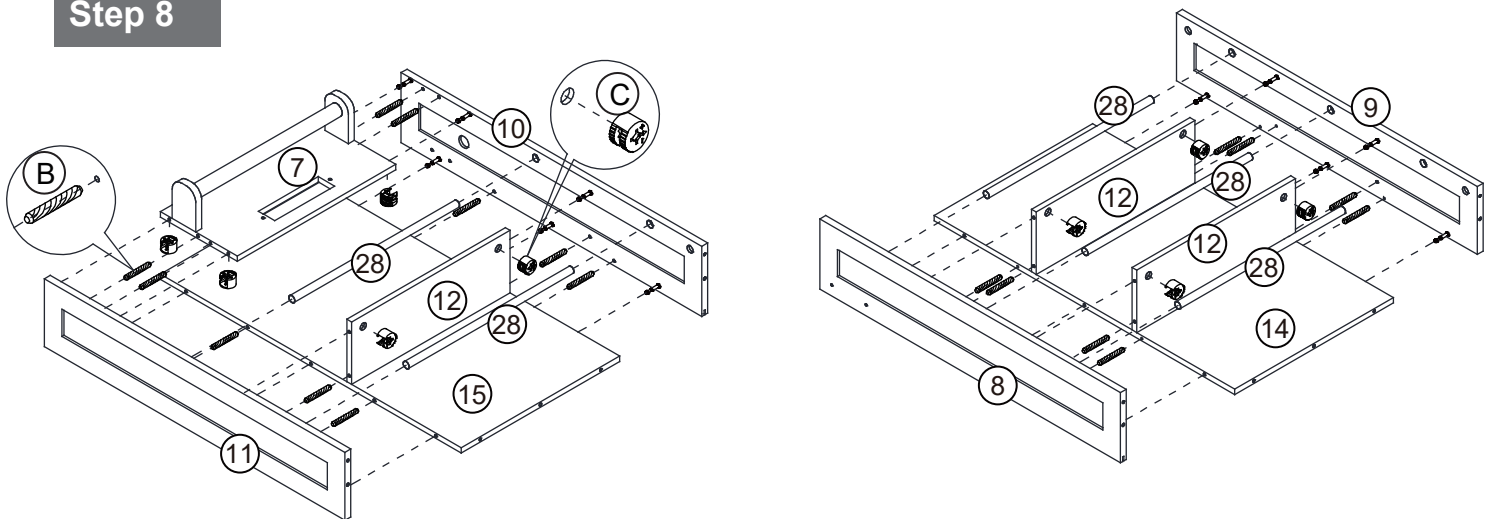
Step 6



Step 7

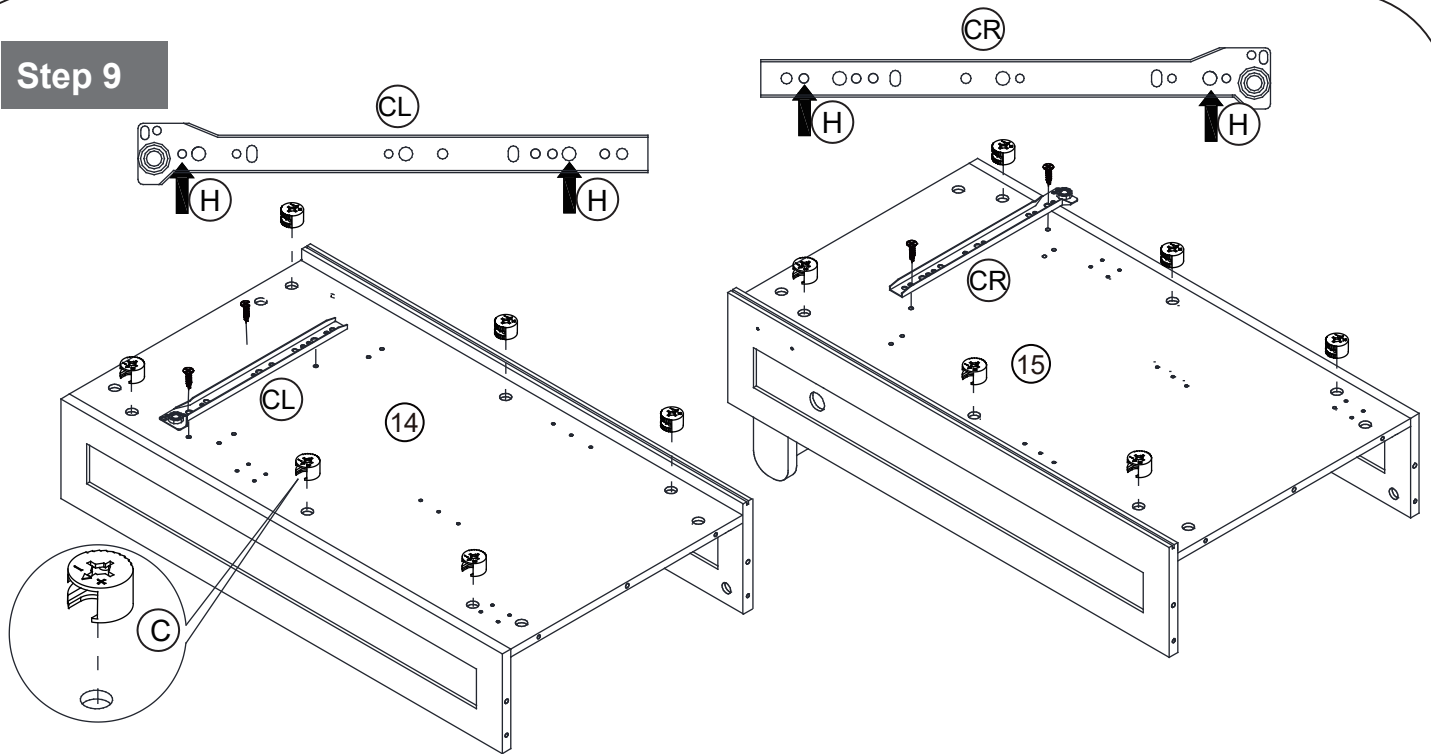


Step 8



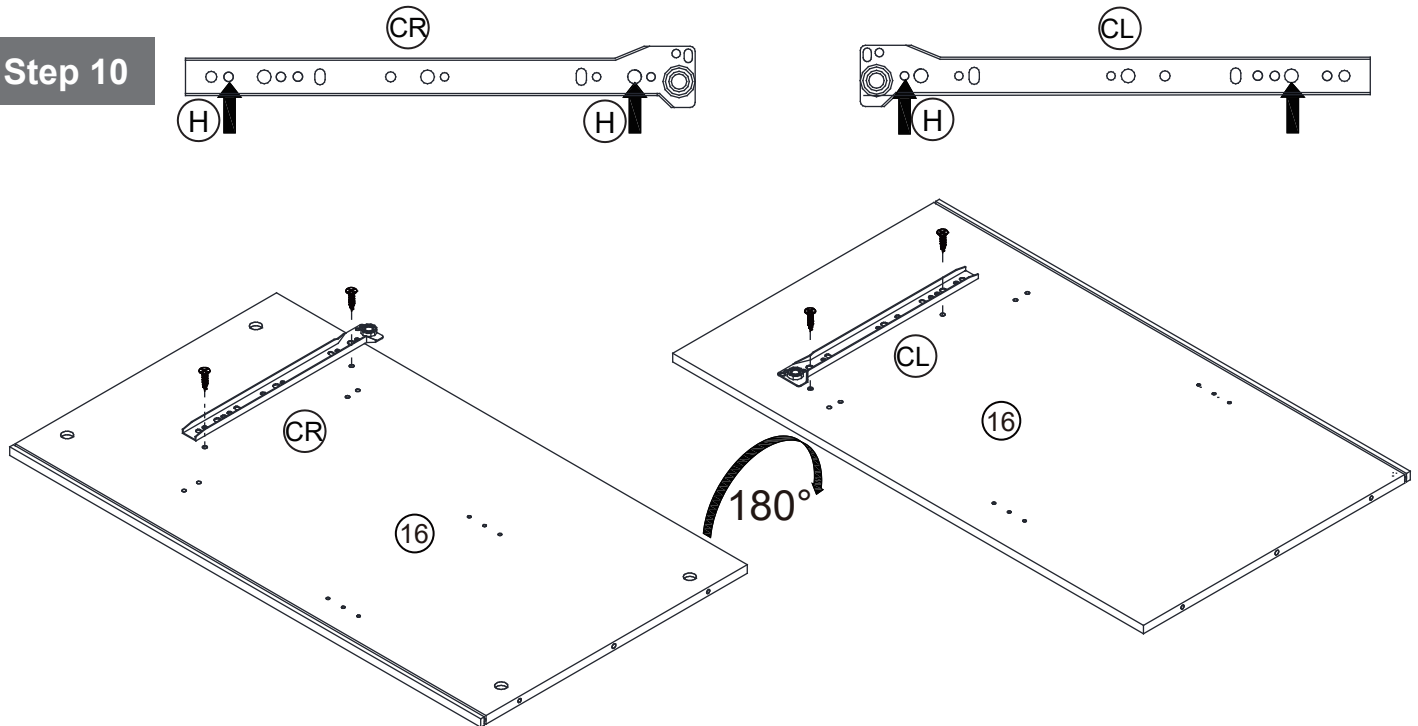
Assembly Instructions

Step 9



<p>CL 300mm runner x 1</p>	<p>CR 300mm runner x 1</p>	<p>C Cam lock x 12</p>	<p>H 3.5*12mm Screw x 4</p>
--------------------------------	--------------------------------	----------------------------	---------------------------------

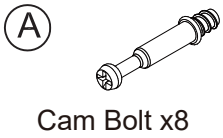
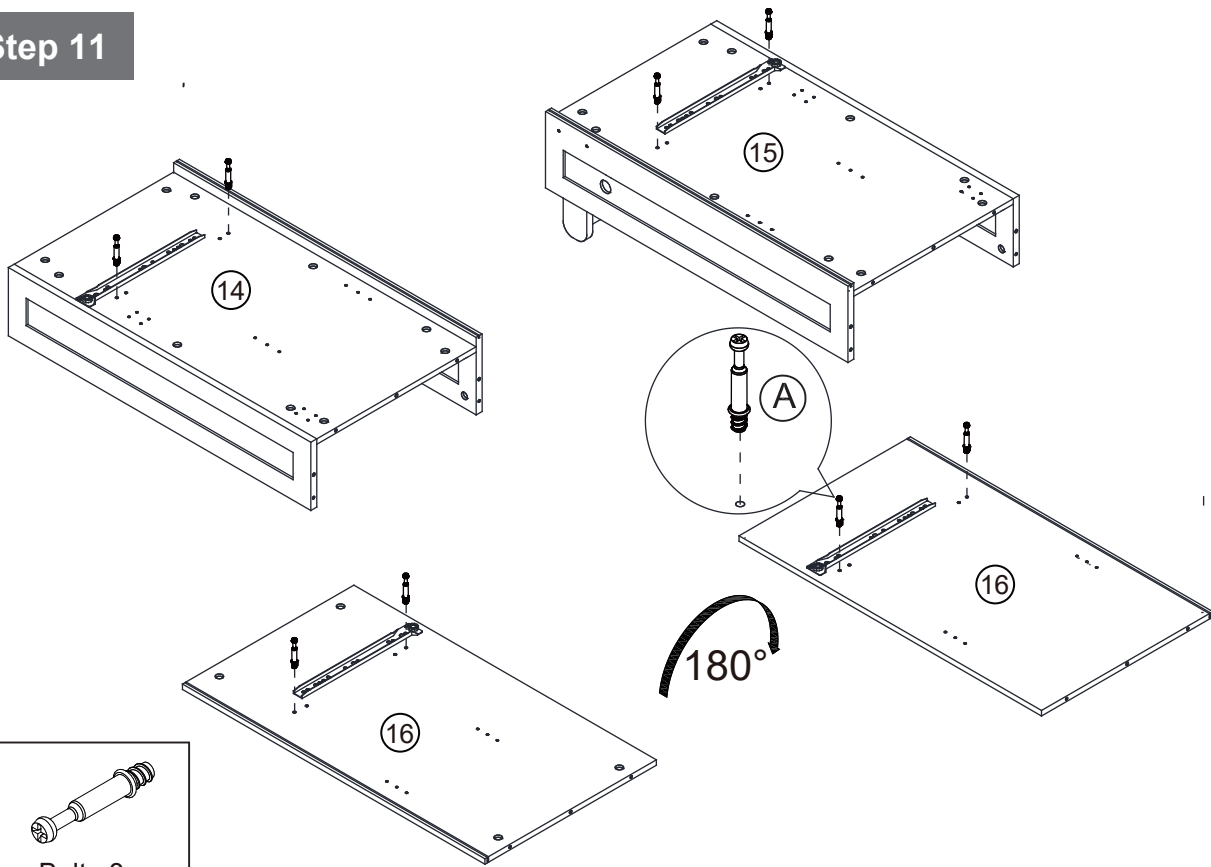
Step 10



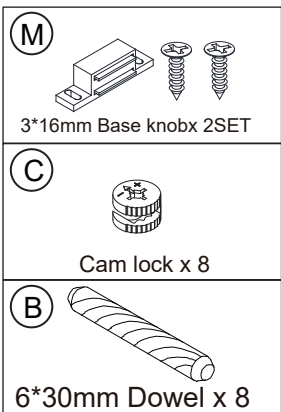
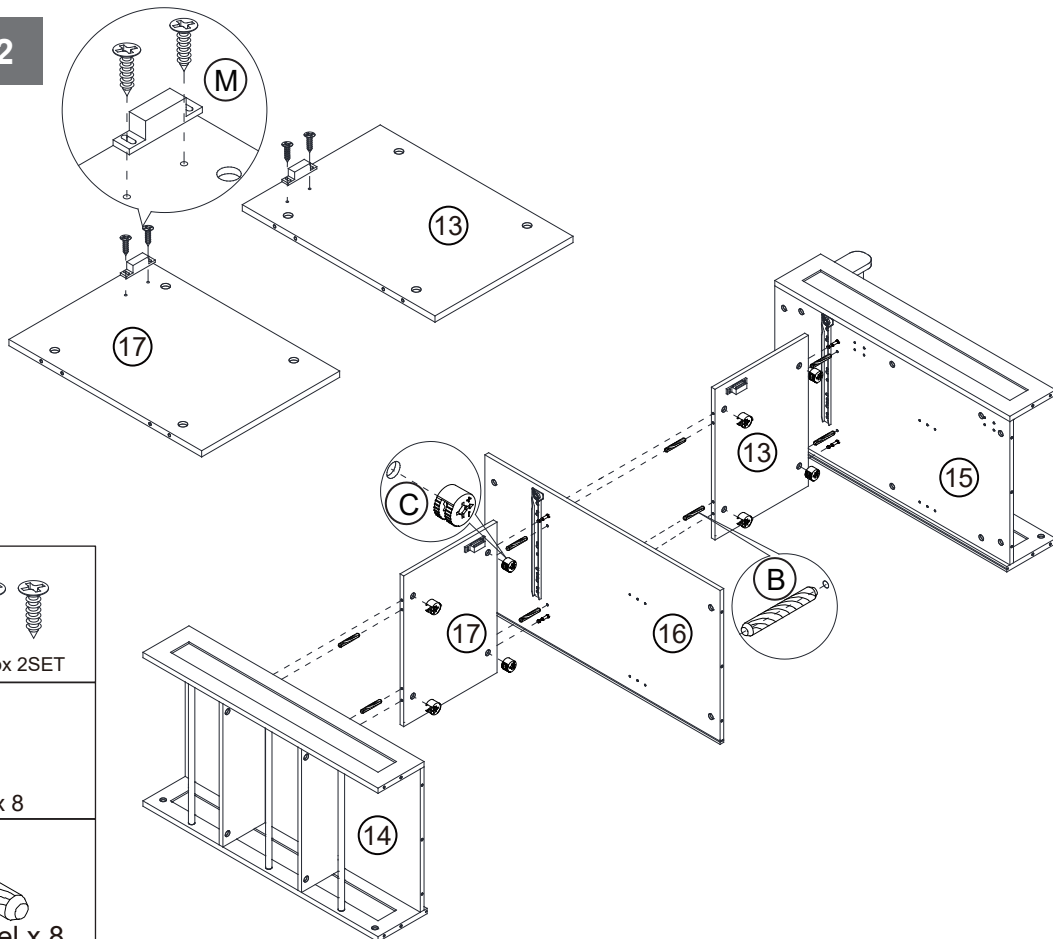
<p>CL 300mm runner x 1</p>	<p>CR 300mm runner x 1</p>	<p>H 3.5*12mm Screw x 4</p>
--------------------------------	--------------------------------	---------------------------------

Assembly Instructions

Step 11

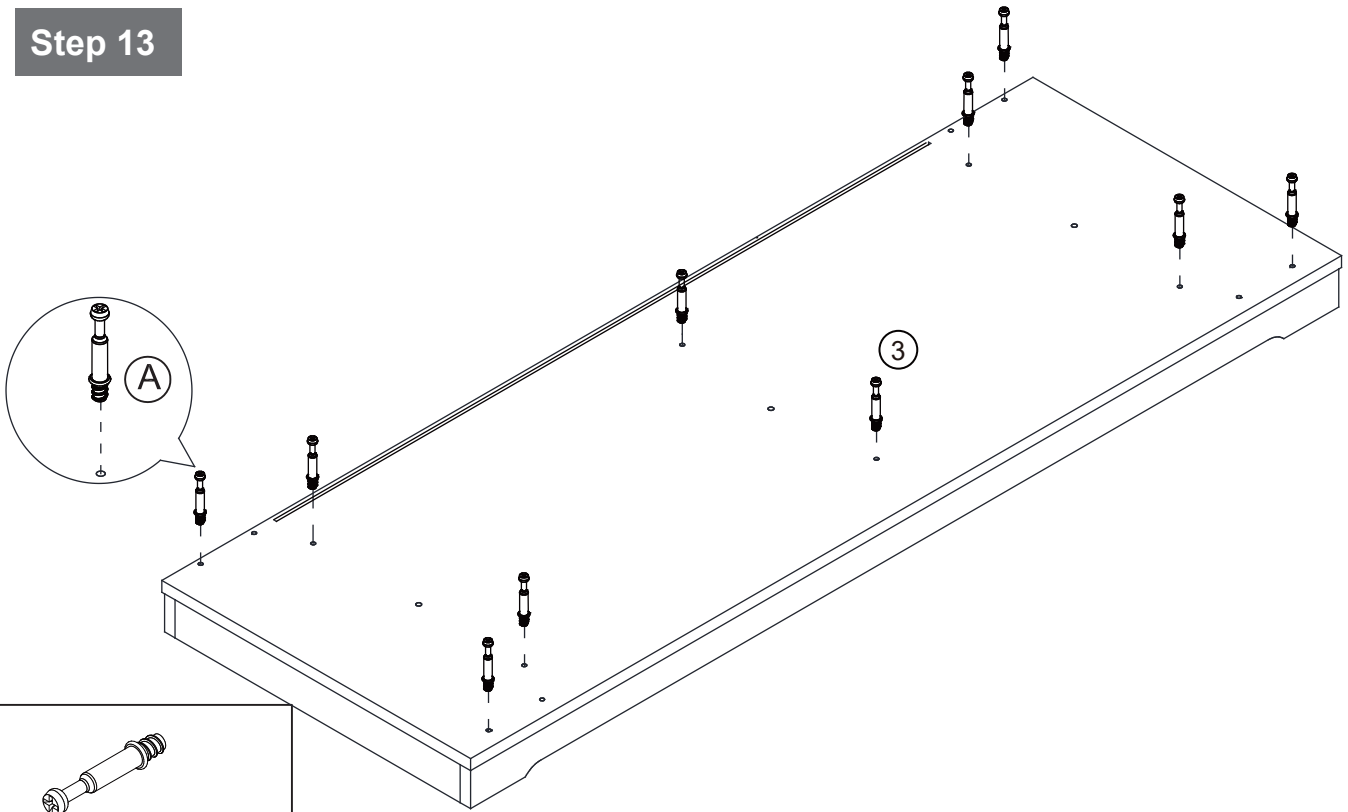


Step 12

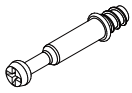


Assembly Instructions

Step 13

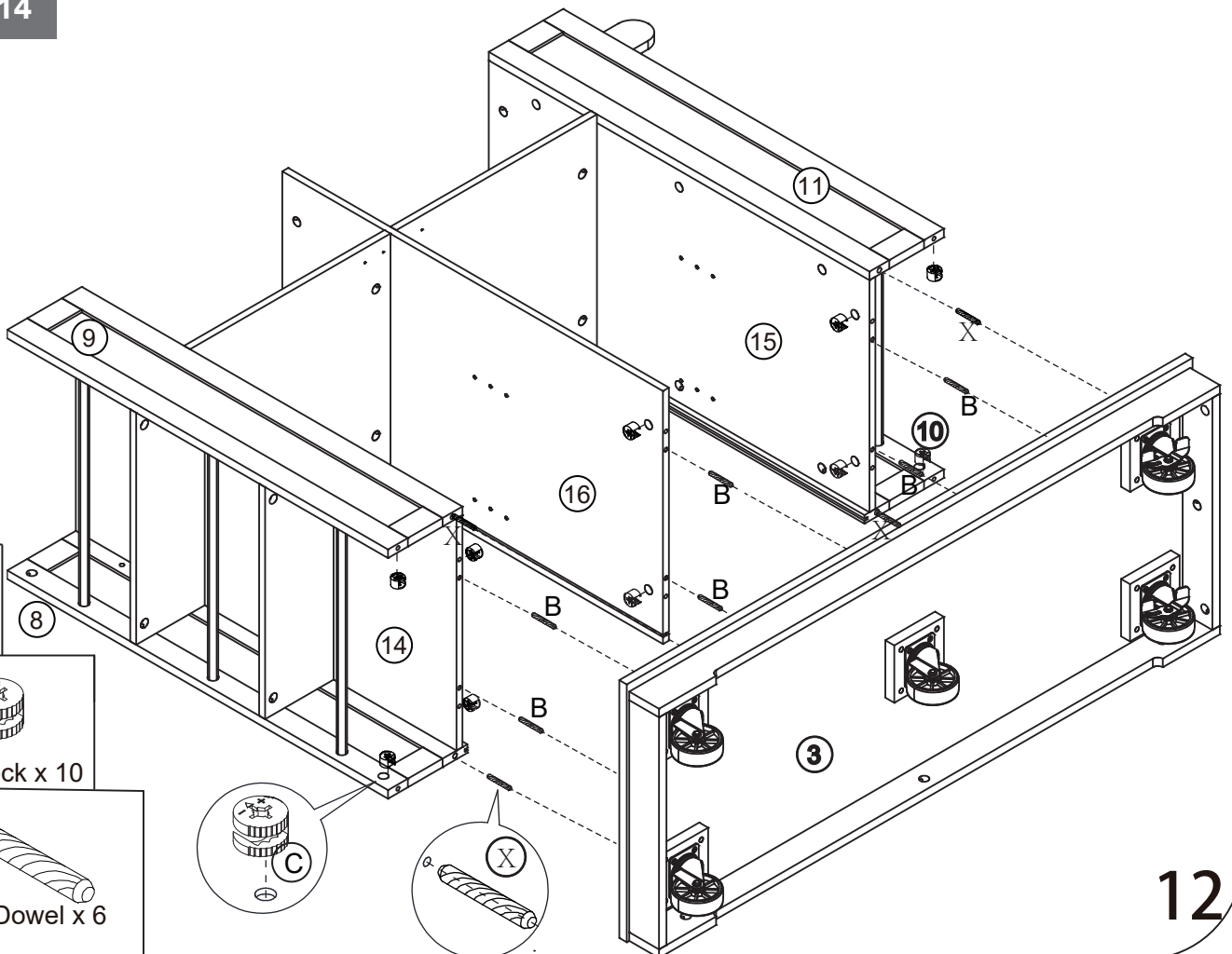


A



Cam Bolt x 10

Step 14



X

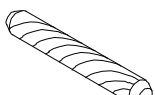
8*30mm Dowel x 4

C



Cam lock x 10

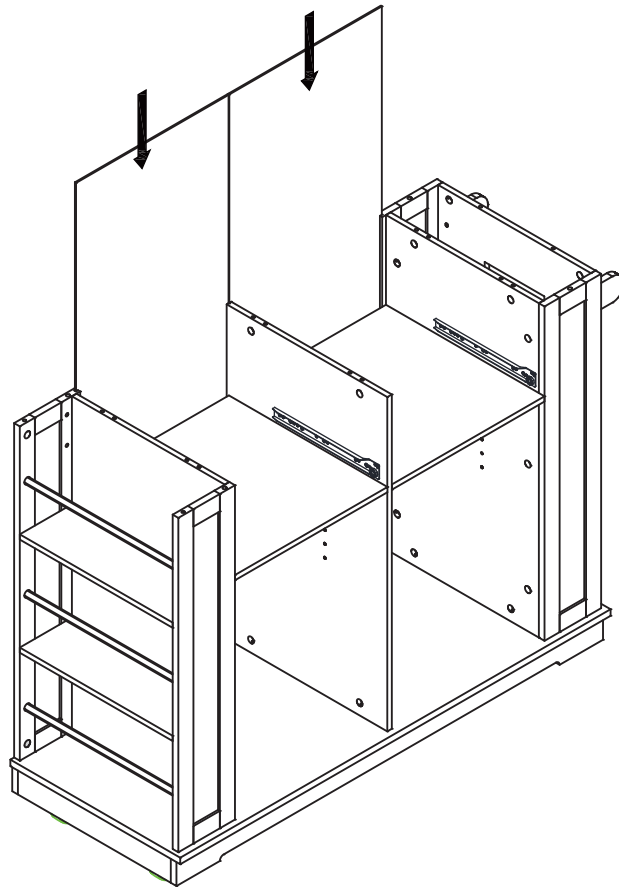
B



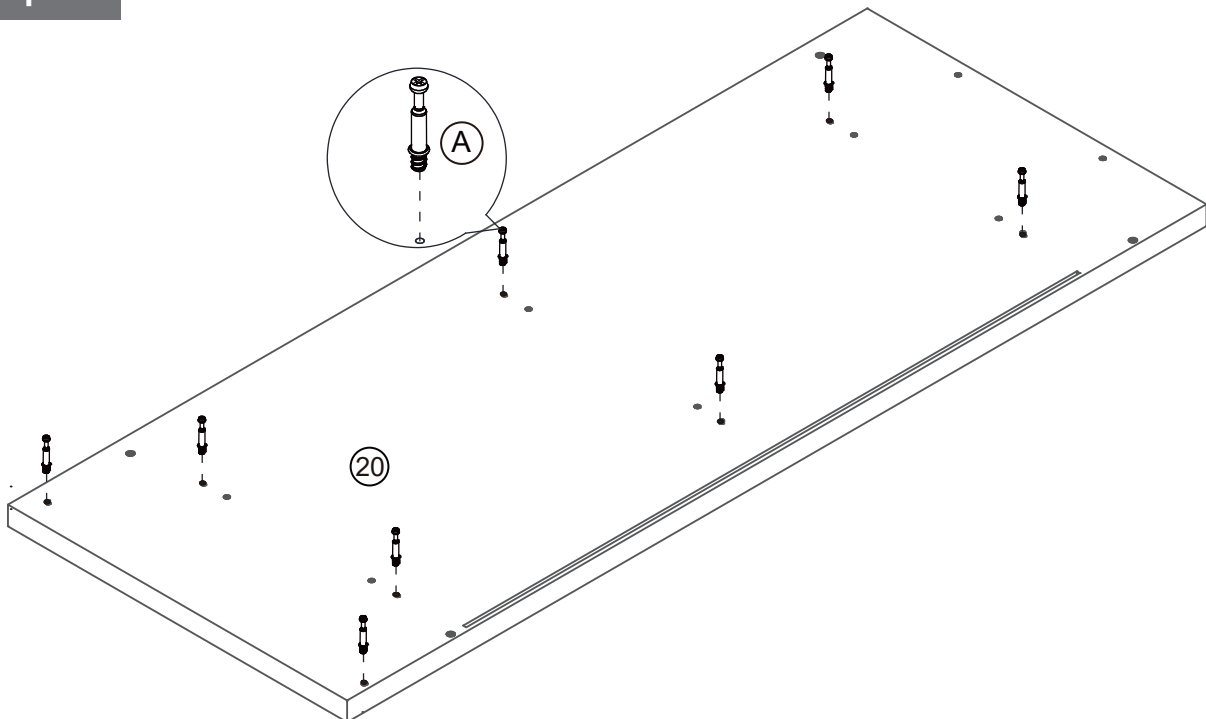
6*30mm Dowel x 6

Assembly Instructions

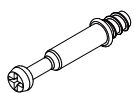
Step 15



Step 16



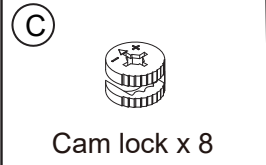
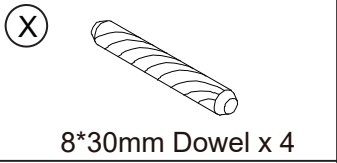
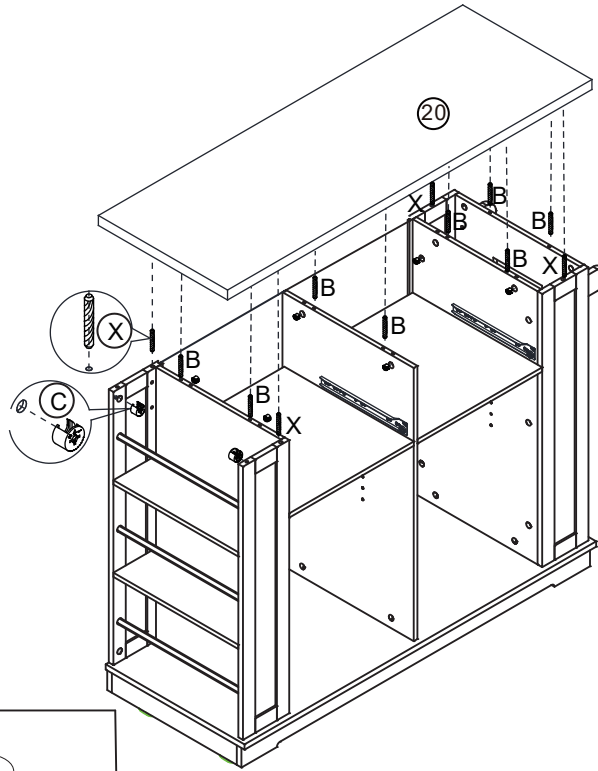
A



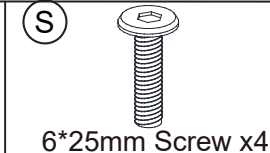
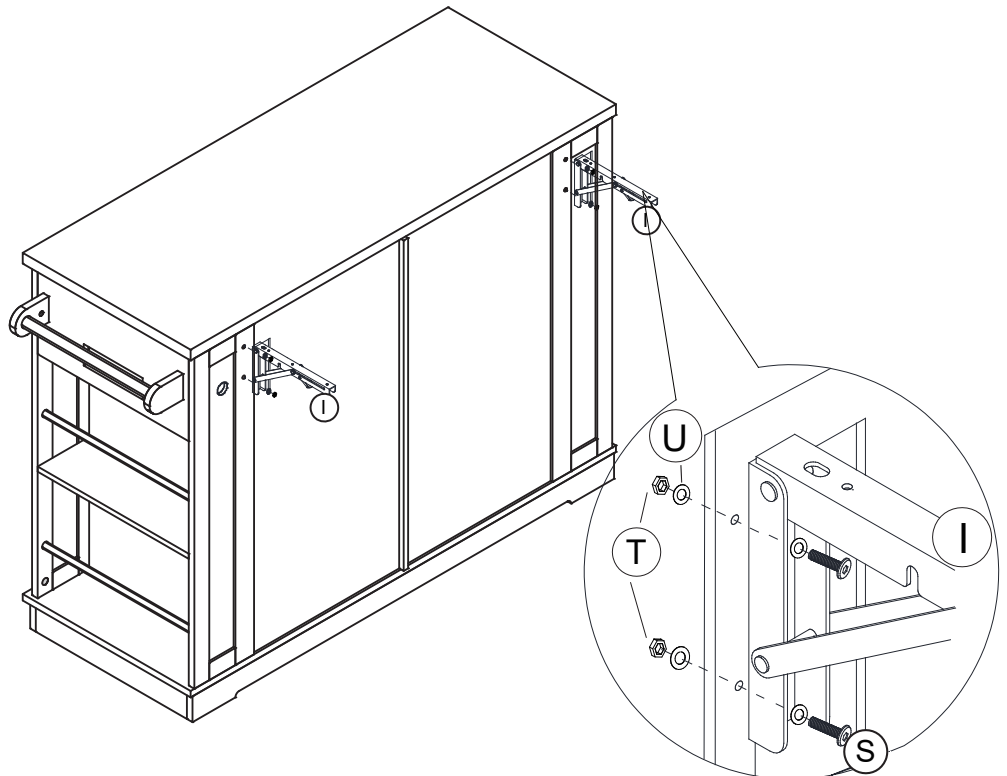
Cam Bolt x 8

Assembly Instructions

Step 17

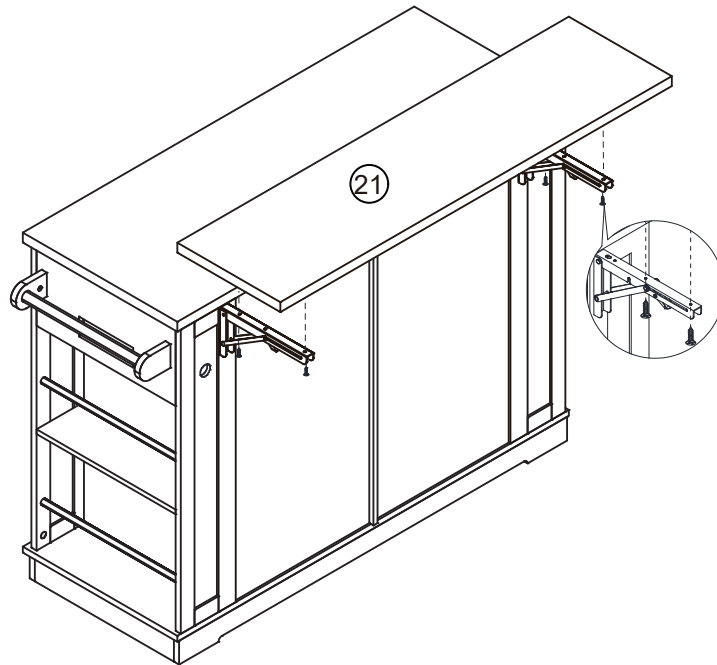


Step 18



Assembly Instructions

Step 19

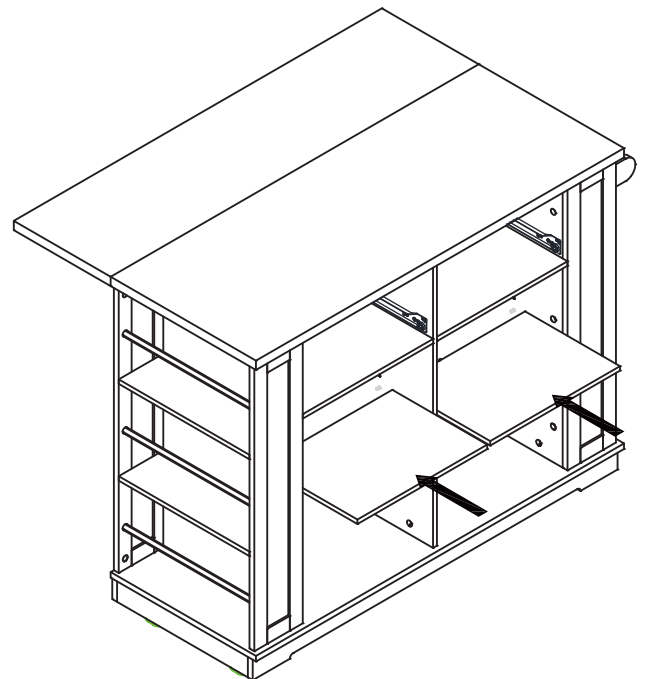
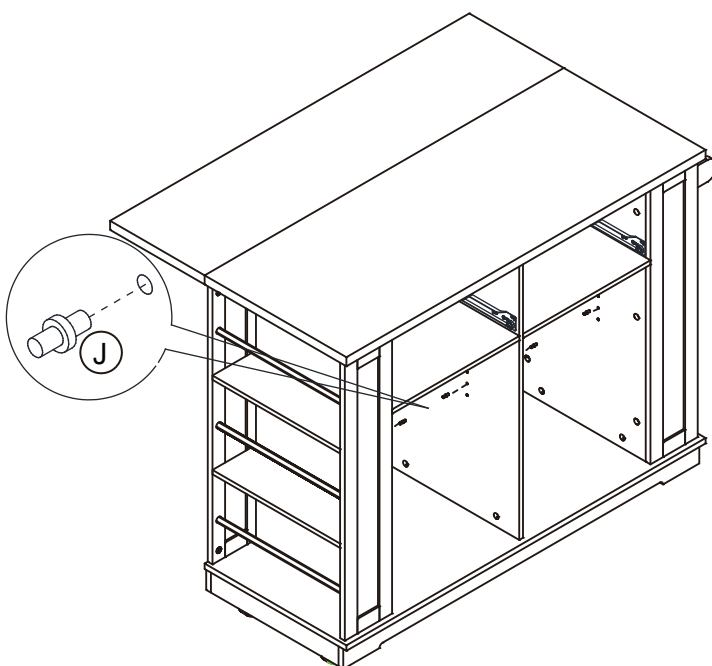


(V)

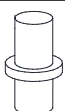


3.5*14mm Screw x4

Step 20



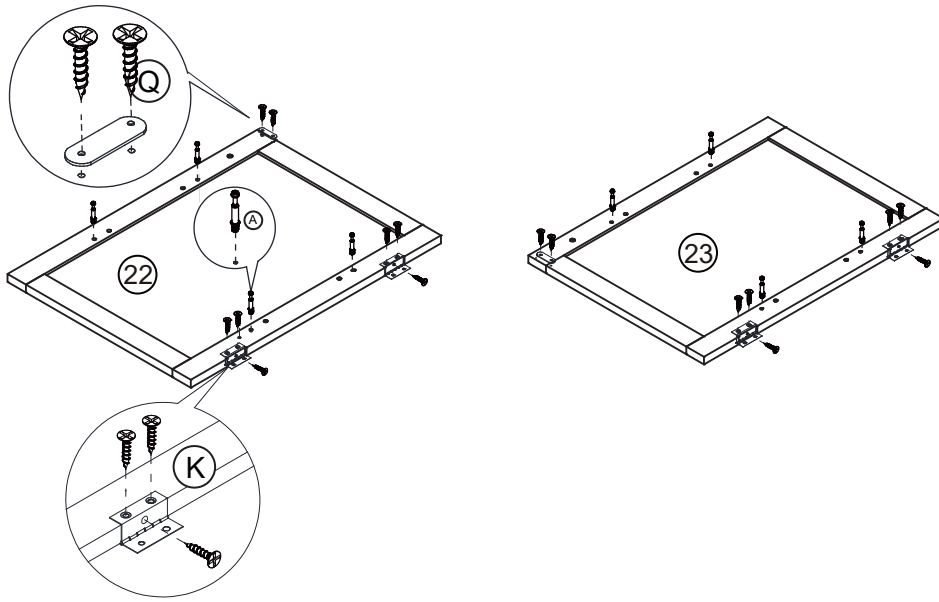
(J)



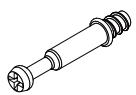
Shelf support pin x 8

Assembly Instructions

Step 21

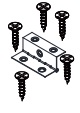


(A)



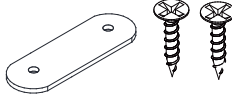
Cam Bolt x 8

(K)



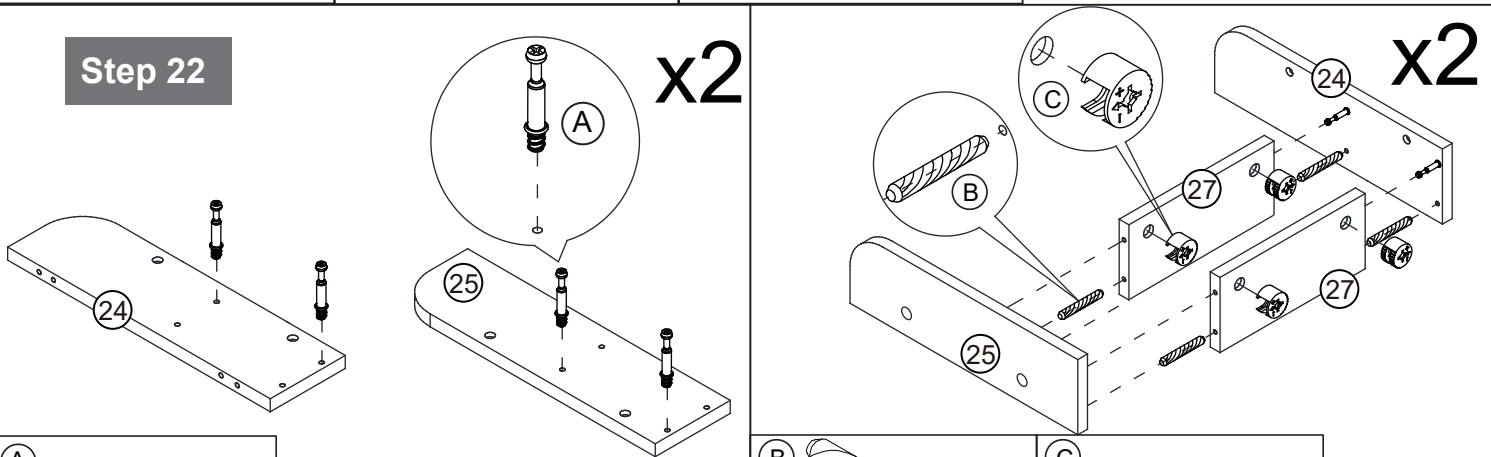
3*12mm Triple fold hinge
x 4set

(Q)

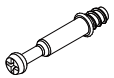


3*12mm Magnetic sheet x 2SET

Step 22

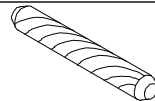


(A)



Cam Bolt x 8

(B)

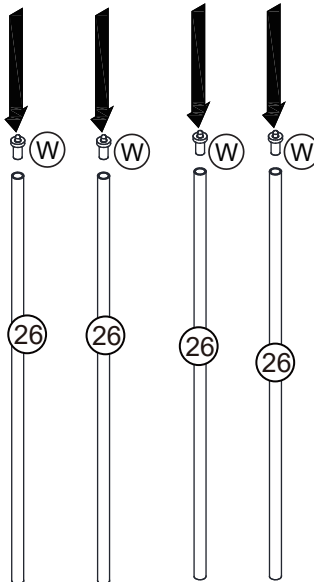
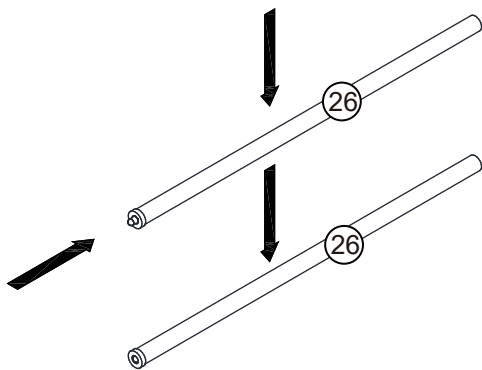


6*30mm Dowel x 8

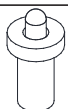
(C)



Cam lock x 8



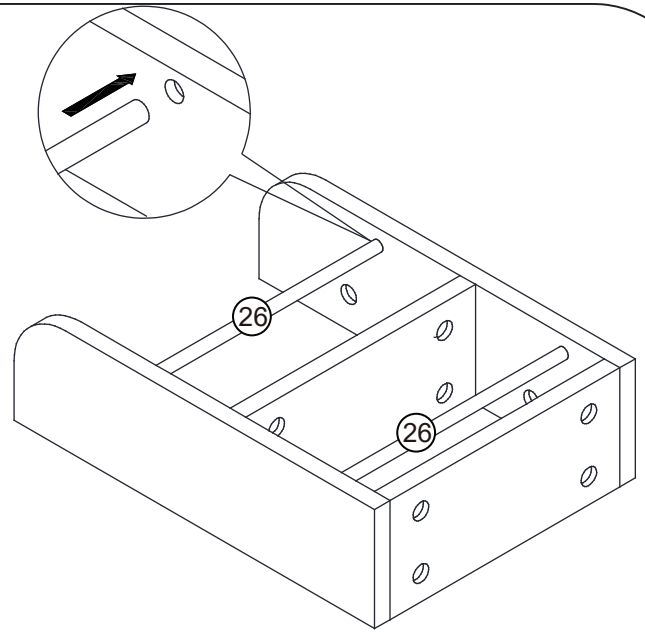
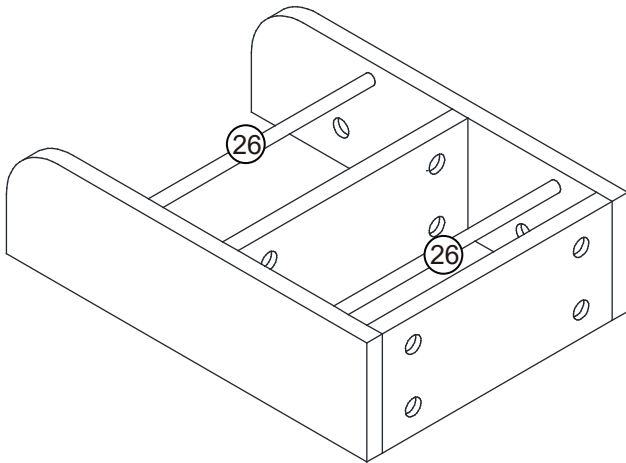
(W)



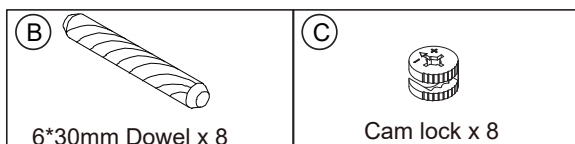
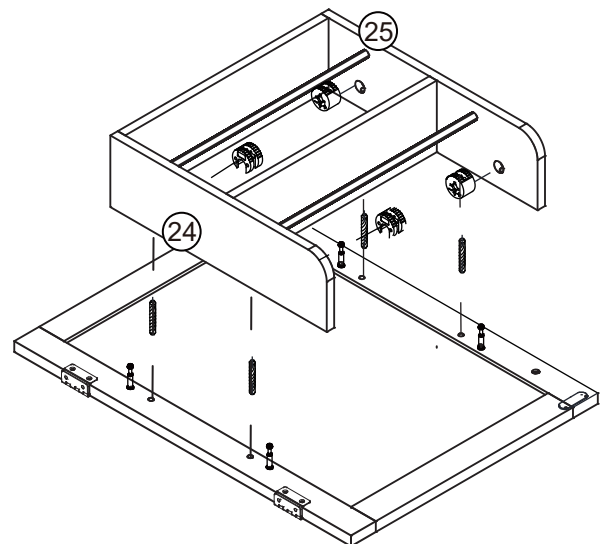
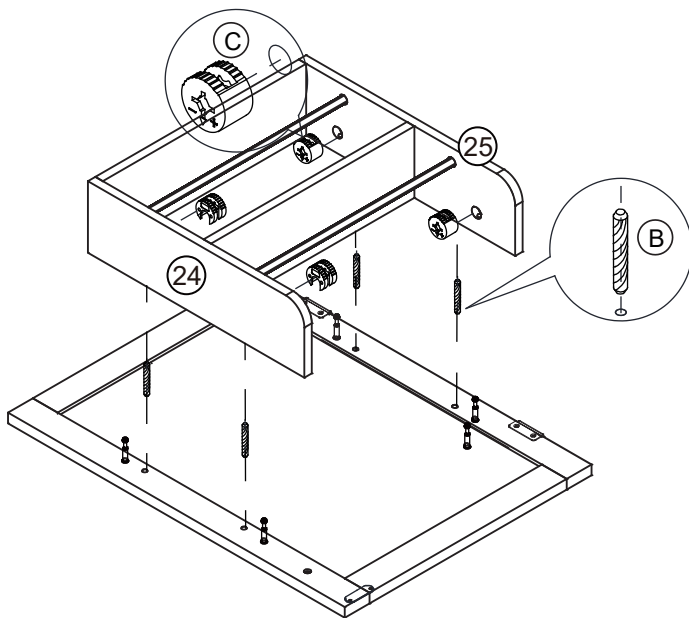
Iron pipe spring x 4

Assembly Instructions

Step 23

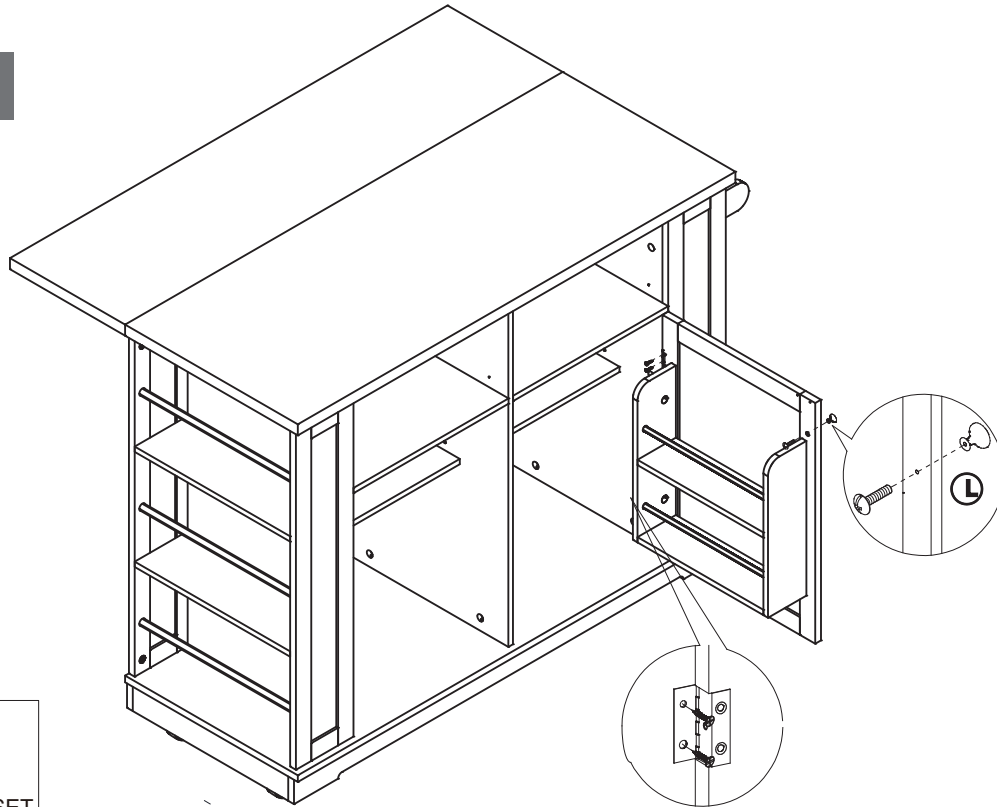


Step 24

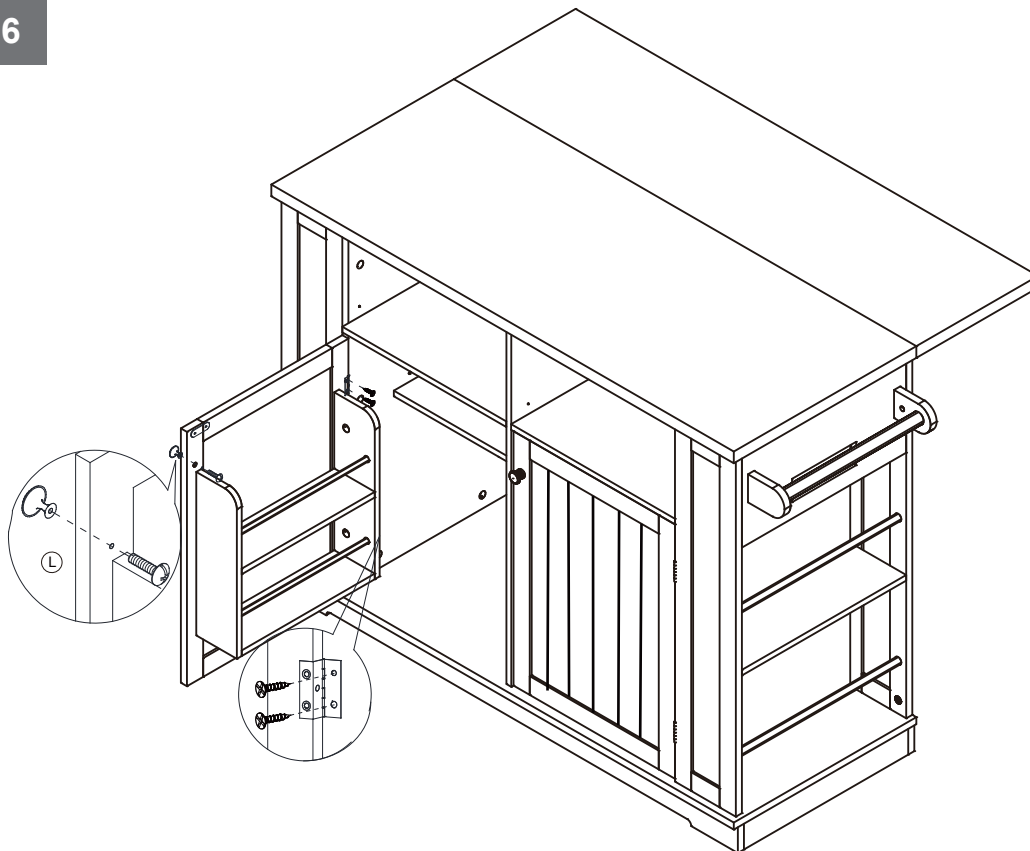


Assembly Instructions

Step 25



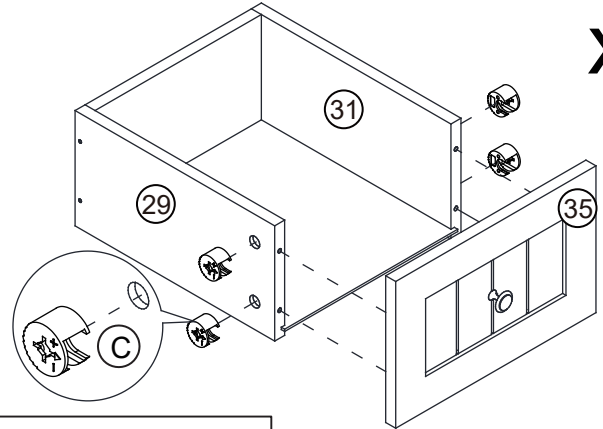
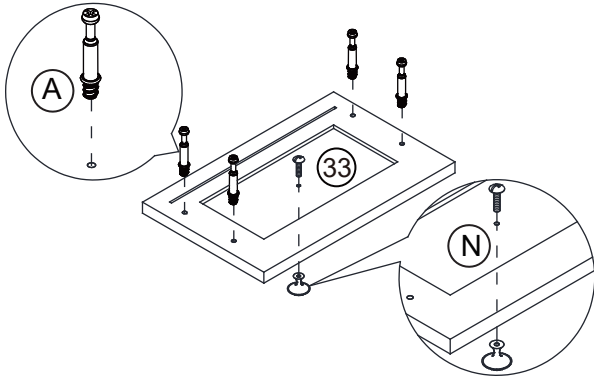
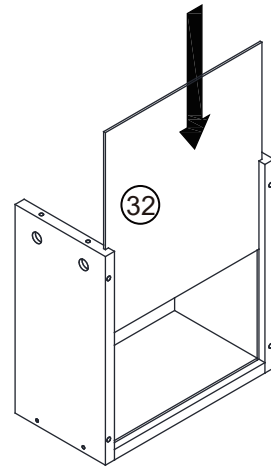
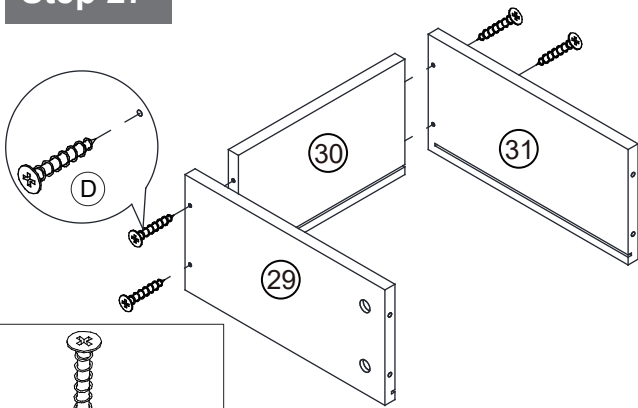
Step 26



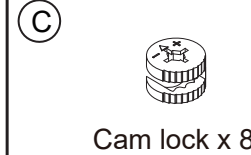
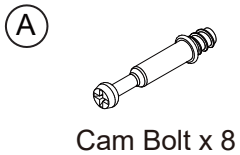
Assembly Instructions

Step 27

x2

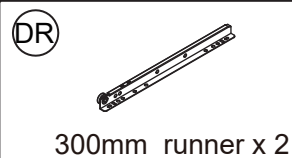
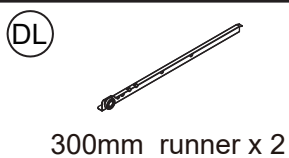
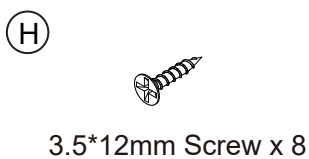
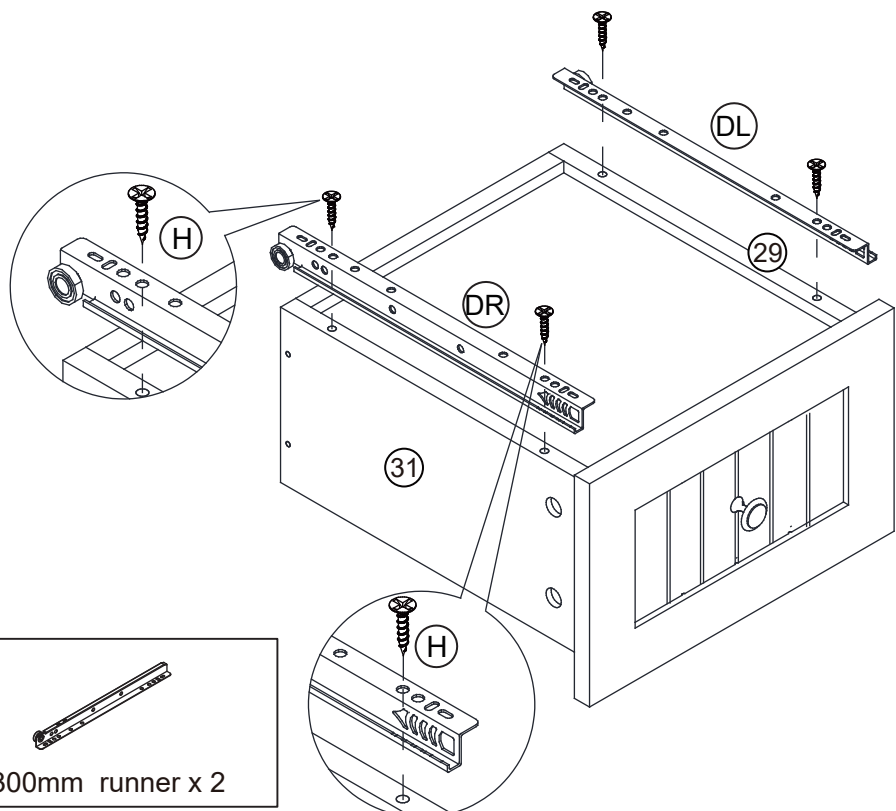


x2



Step 28

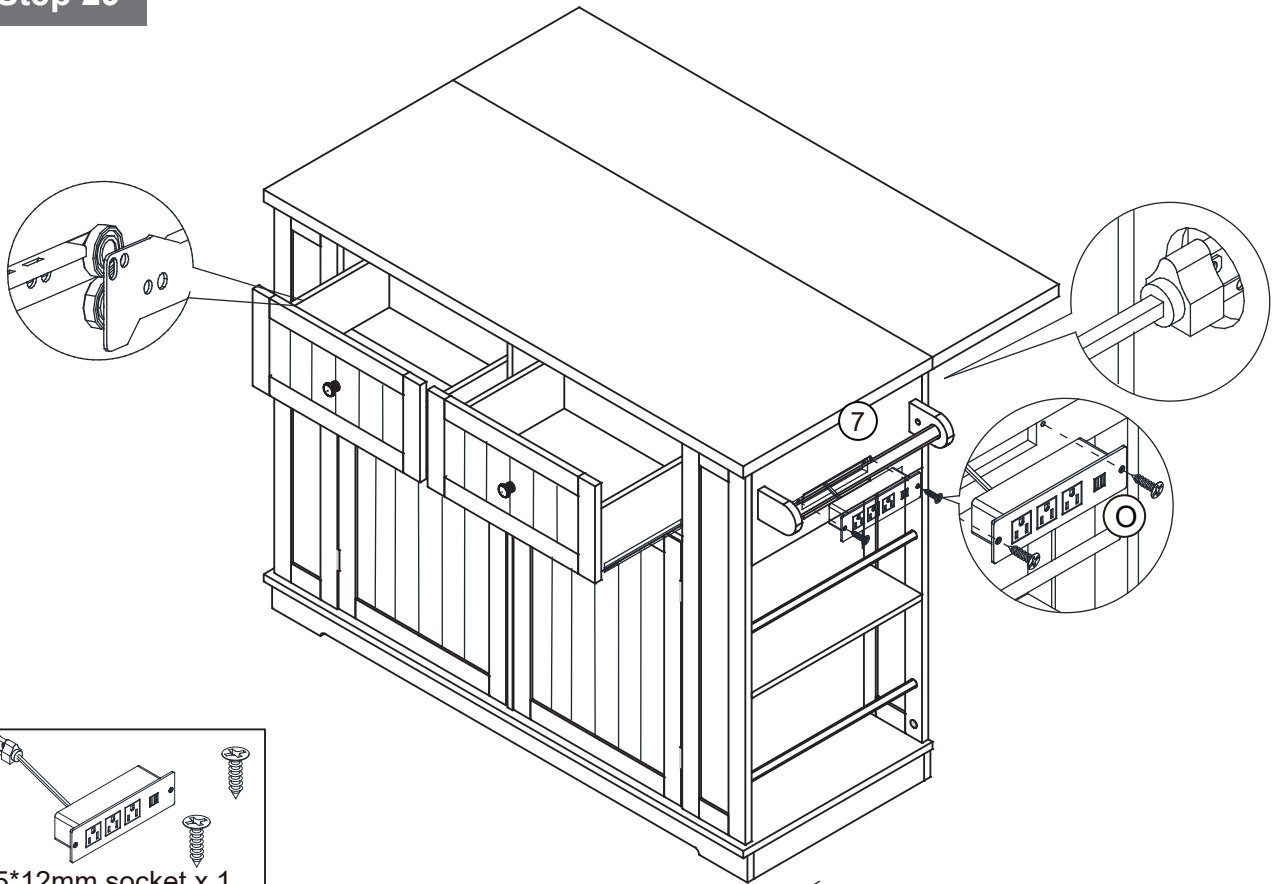
x2



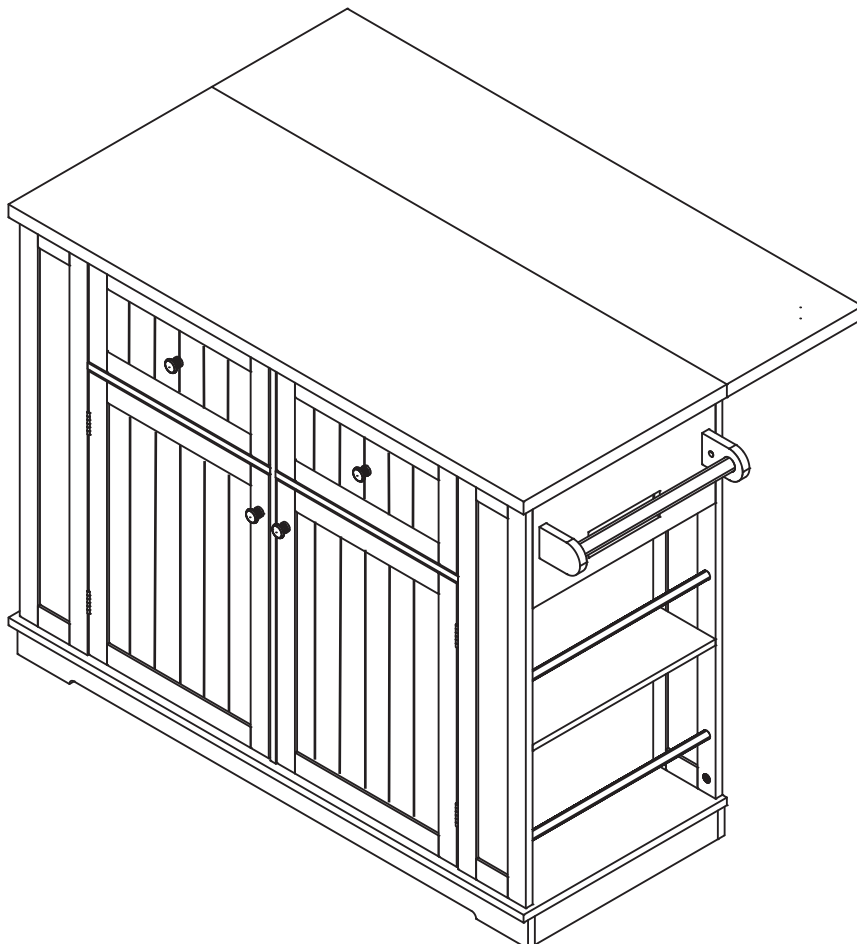
19

Assembly Instructions

Step 29

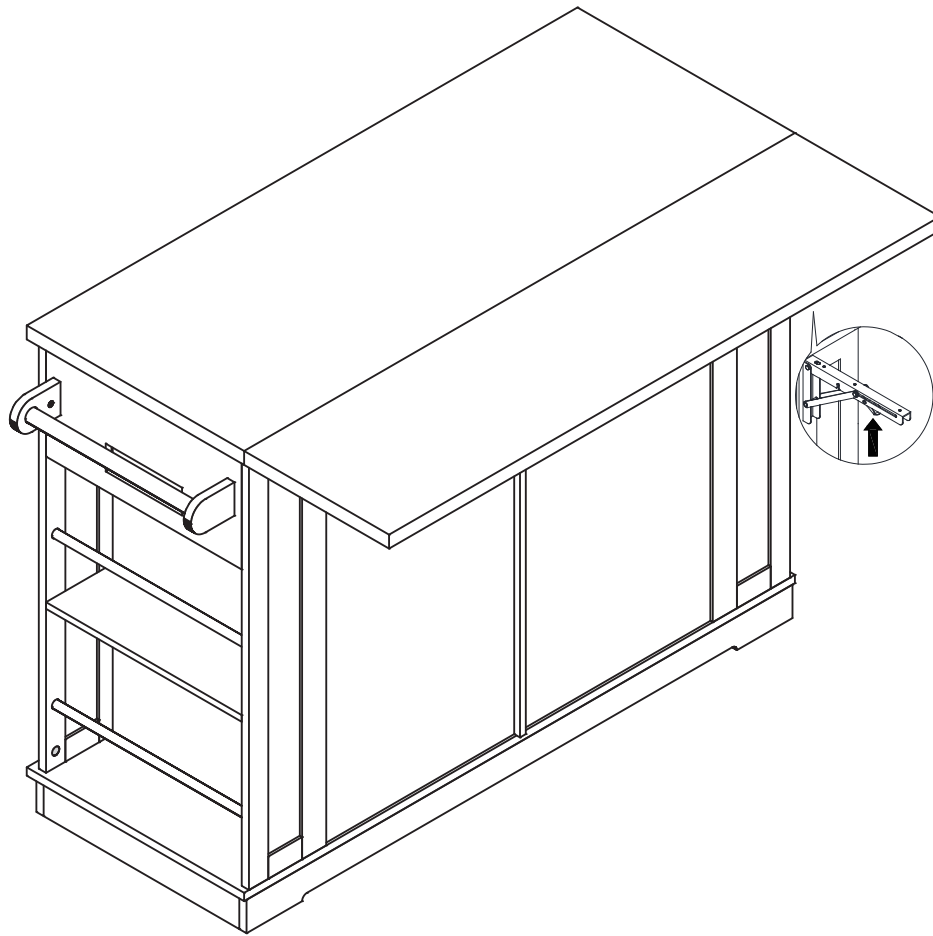


Step 30



Assembly Instructions

Step 31



Step 32

