

# A+R OCEAN PARK ALIUM OTTOMANS WITH CUSHION

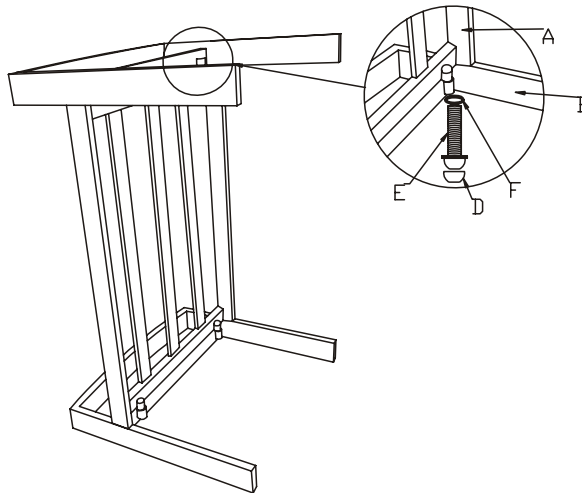
**ITEM# 841126**

**MW-5165-OT-HFB**

## Assembly Instructions

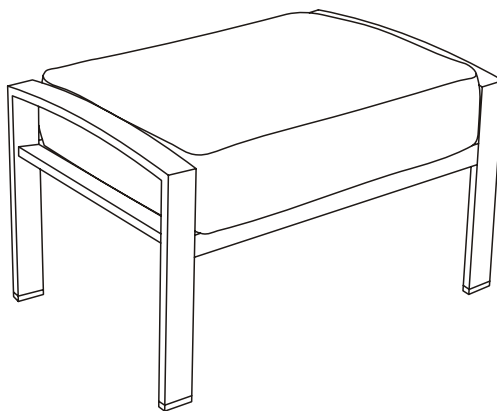
**Step 1:** Remove all protective materials and identify all parts packed in the carton against the parts list. Assemble the item on a soft, non-abrasive surface such as a carpet or cardboard to avoid damaging the item.

**Step 2:** Attach the leg (B) to the seat (A) with bolts (E) and steel washers (F). Please refer to **(Photo 1)**. Don't tighten the bolts completely. Repeat the above step for the other leg. Check alignment of all positions and make corrections if necessary. Fasten all bolts tightly with hex wrench (C). Cover all bolts with bolt cover (D).










**Photo 1**

**Step 3:** Carefully turn the ottoman to upright position and put on cushion (**Photo 2**).



**Photo 2**

## Parts List (For 2 PCS)

|   | Description | Picture   | Qty     |   | Description  | Picture   | Qty     |
|---|-------------|---|---------|---|--------------|---|---------|
| A | Seat        |  | 2=(1*2) | E | Bolt         |   | 8=(4*2) |
| B | Leg         |  | 4=(2*2) | F | Steel Washer |  | 8=(4*2) |
| C | Hex Wrench  |  | 1       | G | Cushion      |   | 2=(1*2) |
| D | Bolt Cover  |  | 8=(4*2) |   |              |   |         |

**Metro World Group Limited**  
**Customer Service Hours**  
**8:00 am to 4:00pm PST**  
**Monday to Friday**  
**Phone: 1-866-300-1258**  
**Email: [amodonnell@metroworld-furniture.com](mailto:amodonnell@metroworld-furniture.com)**