



MERCER VIII

66" x 36" Skirted Acrylic Air Bath

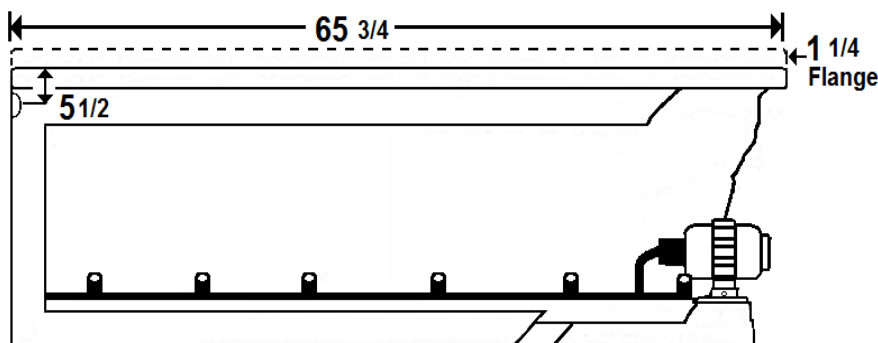
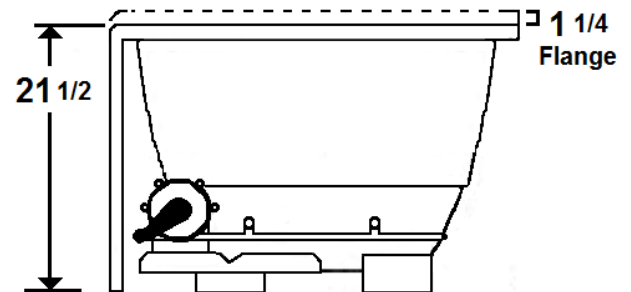
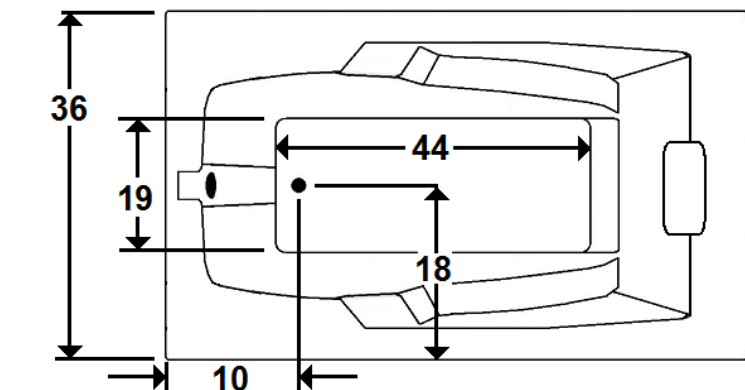
Model Number
3666MASRH-WH
3666MASLH-WH
RH & LH Drain White Air Bath
3666MASRH-BI
3666MASLH-BI
RH & LH Drain Biscuit Air Bath

Features

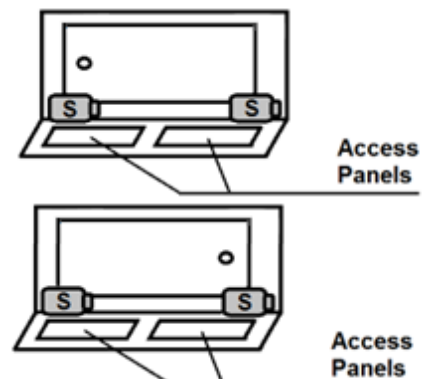
- 20+ high output lateral air jets
- 12 Amp variable speed blower
- Constructed of high-gloss durable acrylic
- Pre-leveled base for easy installation
- Automatic purge cycle with timer
- Maintenance water heater included
- Pillow included
- Made in the USA



All dimensions are +/- 1/2" and subject to change without notice
Confirm specifications before installation



Standard (S) Blower
& Heater Location



Technical Information

- Weight: 140 lbs.
- Water Depth to Overflow: 14"
- Water Operating Level: 47 gal.
- Water Capacity: 64 gal.
- Sump Dimension: 44" x 19"

Electrical Requirements.

- Standard Blower: 12 Amps
- Maintenance Heater: 12.5 Amps
- 2, 20 Amp Dedicated GFCI's required